



# RHBL

Parts List  
03-October-2017



*This parts list is current as of the above revision date.  
See <http://www.rheempartslists.net/92-42800-RHBL.pdf> for the current revision.*

**Air Handlers**

# Table of Contents

Model Explanation .....	Page 3
Panels - Miscellaneous .....	Page 4
Electrical Group .....	Page 4
Blower Group.....	Page 4
Coil Parts .....	Page 5
Heater Kits .....	Page 5
<b>Drawings/Photographs</b>	
Exploded View 024 .....	Page 6
Exploded View 036 .....	Page 7
Blower Assembly .....	Page 8
Notes/Disclaimer .....	Page 9

**MODEL NUMBER EXPLANATION**

<b>R</b>	<b>H</b>	<b>B</b>	<b>L</b>	<b>-</b>	<b>FR</b>	<b>24</b>	<b>T</b>	<b>J</b>	<b>N</b>	<b>03</b>	<b>A</b>
1	2	3	4		5	6	7	8	9	10	11

- |  |  |
|--|--|
| <p><b>1 MODEL DESIGNATION</b></p> <p><b>2 H = AIR HANDLER</b></p> <p><b>3 B = X-13 Motor</b></p> <p><b>4 L = R-410A REFRIGERANT</b></p> <p><b>5 FR = Front Return Cabinet</b></p> <p><b>6 CAPACITY</b><br/>24 = 24,000 BTU/HR<br/>36 = 36,000 BTU/HR</p> | <p><b>7 METERING</b><br/>T = TXV</p> <p><b>8 VOLTAGE</b><br/>J = 208-230/1/60</p> <p><b>9 DISCONNECT CONFIGURATION</b><br/>N = None<br/>B = Breaker</p> <p><b>10 ELECTRIC HEAT</b><br/>00 = No Heat<br/>03 = 3 kW<br/>05 = 5 kW<br/>08 = 8 kW<br/>10 = 10 kW</p> <p><b>11 DESIGN VARIATION</b></p> |
|--|--|

**SERIAL NUMBER EXPLANATION**

<b>F</b>	<b>0</b>	<b>1</b>	<b>1</b>	<b>0</b>	<b>9</b>	<b>9</b>	<b>9</b>	<b>9</b>	<b>9</b>
1	2	3	4						

- 1 PRODUCTION LOCATION**  
F = Ft. Smith, AR
- 2 WEEK OF PRODUCTION**
- 3 YEAR OF PRODUCTION**
- 4 PRODUCTION NUMBER**

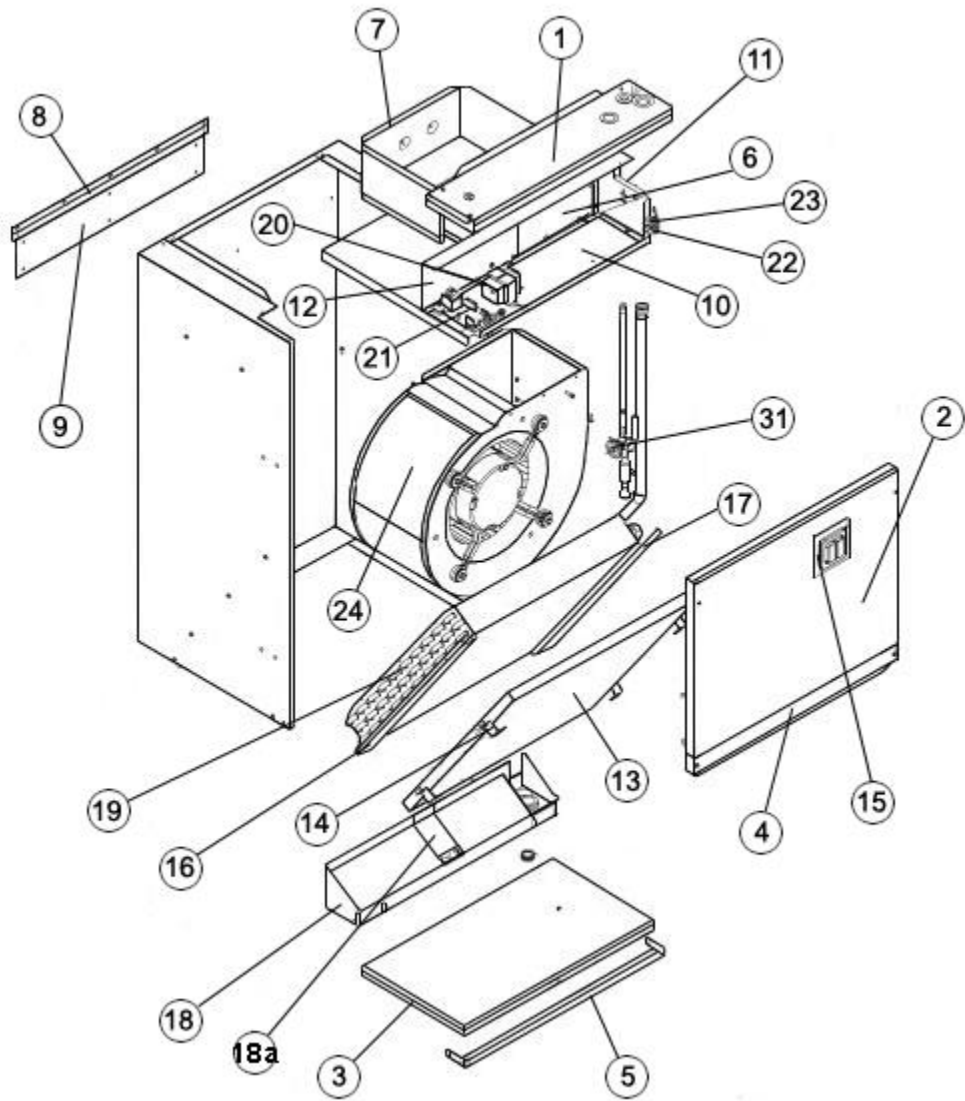
No.	Notes	MODEL CABINET CAPACITY VOLTAGE	RHBL- FR 24 J	RHBL- FR 36 J
<b>PANELS, SHEET METAL, MISCELLANEOUS</b>				
1	1	Top Panel	AE-103095-05	AE-103095-03
		Insulation - Top Panel	68-103240-09	68-103240-02
		Wire Insulation Retainer	45-102868-06	45-102868-07
		Bushing - Strain Relief (Routing for Thermostat Wires)	45-17055-19	45-17055-19
		Grommet - 3/8 O.D. Tube	56-22521-02	56-22521-02
		Grommet - Header Tube	56-22521-05	56-22521-05
2	1	Blower Door (Models without Heater Kit)	AE-103093-07	AE-103093-08
2	1	Blower Door (Models with Heater Kit)	AE-103093-01	AE-103093-04
		Insulation - Blower Door	68-103240-03	68-103240-13
3	1	Bottom Panel	AE-103098-03	AE-103098-12
		Insulation - Bottom Panel	68-103240-17	68-103240-05
4	1	Middle (Front) Brace	AE-103219-01	AE-103219-02
		Insulation - Middle (Front) Brace	68-103240-07	68-103240-12
5		Bottom Brace	AE-103100-01	AE-103100-02
6		Plate - Block Off (No Heat)	AE-103098-11	AE-103098-11
7		Barrier - Heater Box	AE-103098-08	AE-103098-02
8		Mounting Bracket - Cabinet	AE-103105-01	AE-103105-01
9		Mounting Bracket - Wall	AE-103105-02	AE-103105-02
10		Blower Shelf	AE-103096-05	AE-103096-04
		Bushing - Universal Open/Closed (Beside Control Board)	45-103252-02	45-103252-02
		Bushing - Strain Relief (Wire Routing from Blower Motor)	45-17055-11	45-17055-11
11		Divider Panel - Heater Box	AE-103098-10	AE-103098-04
12		Front Panel - Heater Box	AE-103098-09	AE-103098-13
13		Filter	54-17531-04	54-17531-06
14		Filter Retainer (4)	AE-103218-01	N/A
14		Filter Rail (2)	N/A	AE-103218-04
15		Cover - Circuit Breaker	68-103316-01	68-103316-01
16		Coil Bracket - Left	See Coil Group	
17		Coil Bracket - Right	See Coil Group	
18		Drain Pan	See Coil Group	
19		Coil	See Coil Group	
36		Control Cover	AE-103328-01	AE-103328-01

No.	Notes	MODEL CABINET CAPACITY VOLTAGE	RHBL- FR 24 J	RHBL- FR 36 J
<b>ELECTRICAL GROUP</b>				
20	Stk	Transformer	46-101905-01	46-101905-01
21	Stk	Control Board	47-100436-02	47-100436-02
22		Terminal Block	45-23222-02	45-23222-02
23		Grounding Lug	45-19000-01	45-19000-01
		Switch - Drain Pan Overflow Protection (Option 417)	42-103356-01	42-103356-01
		Wiring Harness - 6 Pin Plug to 6 Stripped Wires (For T-Stat)	45-101891-03	45-101891-03
		Wiring Harness - 2 Pin Molex to 2 Stripped Leads (Power Input to Terminal Block)	45-24371-57	45-24371-57
		Circuit Breaker	See Heater Kit Parts List	
		Wiring Harness - Circuit Breaker to 2 Pin Connector	See Heater Kit Parts List	
		Wiring Harness - 4 Pin Connector from Control Board to Heater	See Heater Kit Parts List	

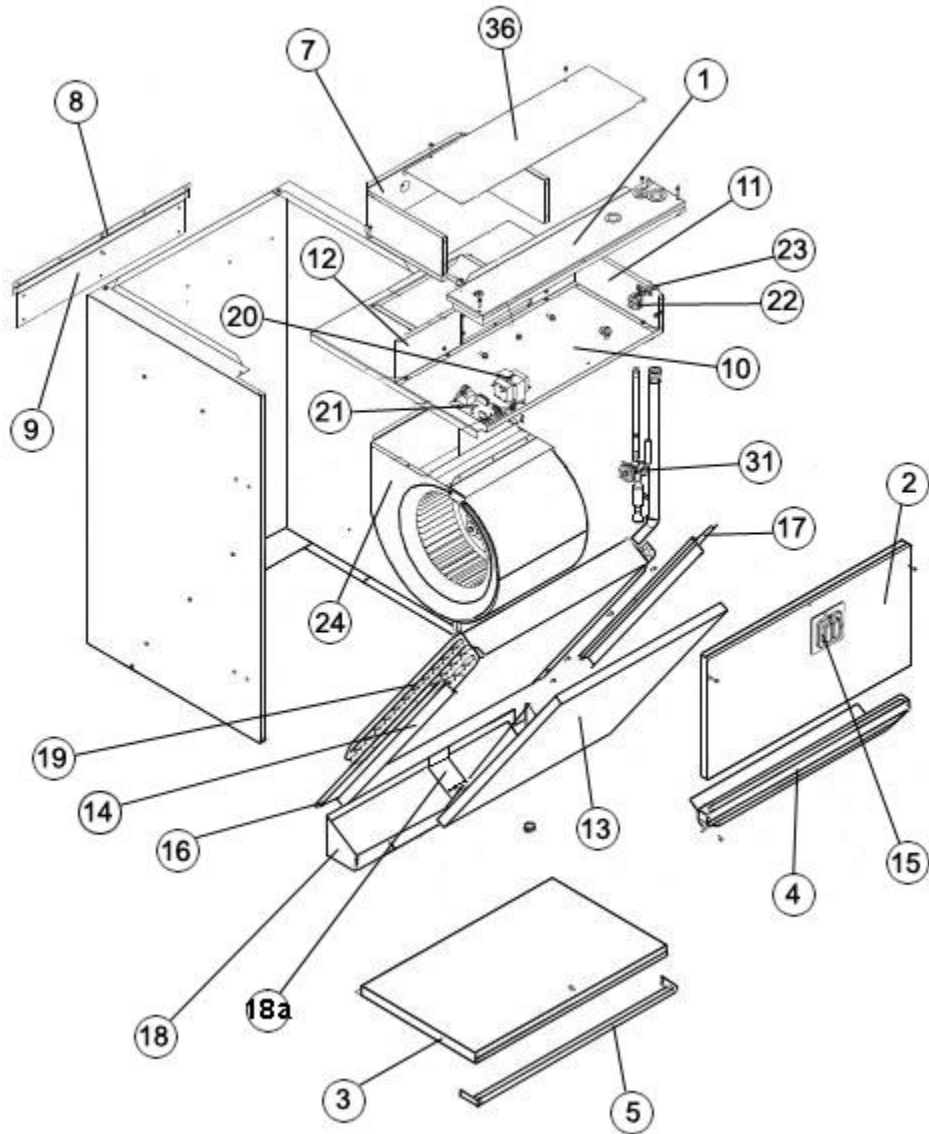
No.	Notes	MODEL CABINET CAPACITY VOLTAGE	RHBL- FR 24 J	RHBL- FR 36 J
<b>BLOWER GROUP</b>				
24	Stk	Blower Assembly (Includes items listed below)	AS-103222-05	AS-103222-06
25		Blower Housing w/Wheel	70-103221-02	70-103221-01
	Stk	Blower Wheel	703022	703021
26		Motor Mount - Band	70-19927-04	70-19927-04
27		Motor Mount - Arm (4)	70-19929-10	70-19929-11
28	Stk	Blower Motor (X-13)	51-101879-07	51-101880-18
32		Bolt	63-19919-01	63-19919-01
33		Locknut	63-17189-03	63-17189-03
34		Washer (4)	63-26198-02	63-26198-02
35		Screw (4)	63-101978-01	63-101978-01

No.	Notes	MODEL CABINET CAPACITY METERING VOLTAGE	RHBL- FR 24 T J	RHBL- FR 36 T J
<b>COIL GROUP</b>				
19		Coil	RCKL-T24A	RCKL-T36A
		Header - Coil	82-103227-07	82-103227-06
		Coil Seal	68-103682-01	68-103682-02
16		Coil Bracket - Left	AE-103106-01	AE-103106-05
17		Coil Bracket - Right	AE-103106-02	AE-103106-06
18	Stk	Drain Pan	68-103104-01	68-103104-02
18a		Drain Shield	AE-104877-01	AE-104877-01
31	Stk	TXV - Expansion Valve	<a href="#">61-103652-07</a>	<a href="#">61-103652-01</a>
		Bulb Strap Kit - TXV	64-101357-01	64-101357-01

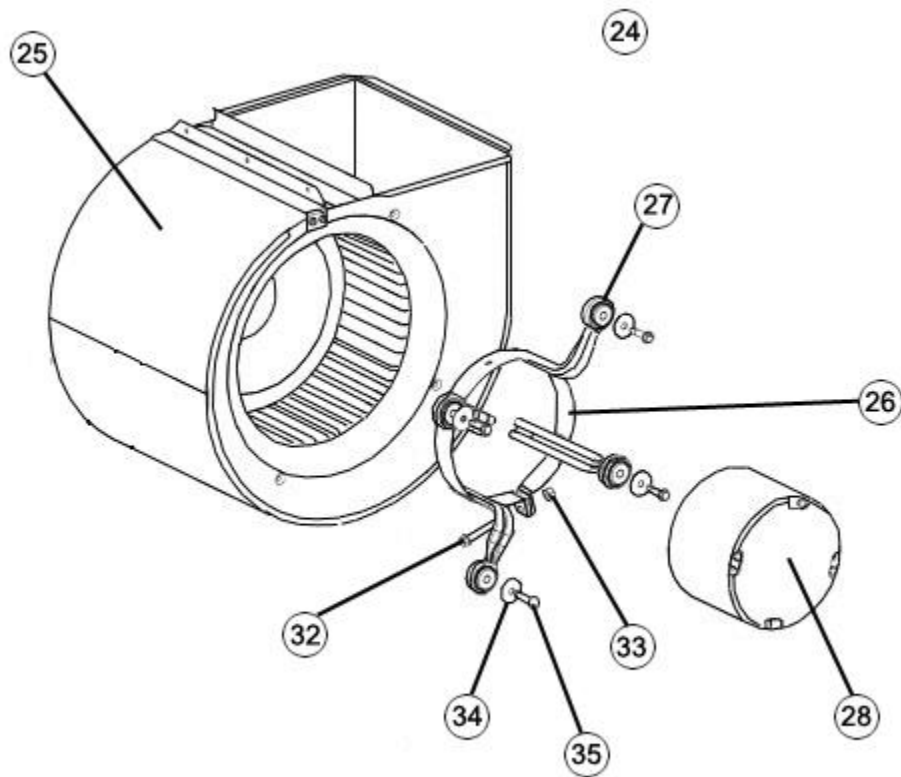
No.	Notes	MODEL CABINET CAPACITY VOLTAGE	RHBL- FR 24 J	RHBL- FR 36 J
<b>HEATER KITS</b>				
		Heater Kit - 3kW/208-230/1	RXHJ-21B03J	RXHJ-24B03J
		Heater Kit - 5kW/208-230/1	<a href="#">RXHJ-21B05J</a>	RXHJ-24B05J
		Heater Kit - 8kW/208-230/1	<a href="#">RXHJ-21B08J</a>	RXHJ-24B08J
		Heater Kit - 10kW/208-230/1	RXHJ-21B10J	RXHJ-24B10J



Exploded View 024



Exploded View 036



Blower Assembly

# NOTES

Stk It is recommended that stock be maintained for this part.

N/A Not Applicable

- 1 Panel is without insulation. Insulation must be ordered separately.

**DISCLAIMER:** This document is intended to provide general replacement parts information to aid qualified service personnel in the repair of these models. The complete Model and Serial Number of the unit under repair should be specified when selecting and ordering replacement parts. Specifications and illustrations are subject to change without notice. Document 92-42800-RHBL supersedes all previous parts lists for these models. See <http://www.rheempartslists.net/92-42800-RHBL> for the latest revision of this document. The manufacturer assumes no obligation for errors or omissions. Service personnel must verify the proper and safe operation of equipment after the replacement of any original components.