



13ACA

Parts List
30-September-2017



*This parts list is current as of the above revision date.
See <http://www.rheempartslists.net/92-42805-13ACA.pdf> for the current revision.*

Condensing Units

Table of Contents

Model Explanation	Page 3
Parts Numbers	
Panels - Miscellaneous (Granite-Steel Gray)	Page 4
Panels - Miscellaneous (Neutra Green)	Page 5
Electrical-Fan Group	Page 6
Coil Parts	Page 7
Compressor Group	Page 8
Accessories	Page 9
Drawings/Photographs	
Exploded View	Page 10
Valve Mounting Assembly	Page 11
Control Box	Page 12
Notes/Disclaimer	Page 13

MODEL NUMBER EXPLANATION

1	3	A	C	A	3	6	A	0	1
1		2	3	4	5		6	7	

- | | |
|----------------------------------------------------------------------------------------------------------------------------------------------------------------------------|------------------------------------------------------------------------------------------------------------------------------------------------------------------------------------------------------------------------|
| <p>(1) SEER
13 = SEER RATING</p> <p>(2) MODEL
A = Air Conditioner</p> <p>(3) VOLTAGE
C = 208-230/3/60</p> <p>(4) DESIGN SERIES</p> | <p>(5) COOLING CAPACITY (BTU/HR)
036= 36,000
042= 42,000
048= 48,000
060= 60,000</p> <p>(6) CABINET
A = Full Metal Jacket
C = Poe Compressor Oil</p> <p>(7) NAMEPLATE</p> |
|----------------------------------------------------------------------------------------------------------------------------------------------------------------------------|------------------------------------------------------------------------------------------------------------------------------------------------------------------------------------------------------------------------|

SERIAL NUMBER EXPLANATION (Units Produced before Nov. 2013)

8	3	7	2	W	5	2	1	0	9	9	9	9	9
	1			2		3		4				5	

- (1) COMPRESSOR IDENTIFICATION NUMBER
- (2) PRODUCTION LOCATION
- (3) WEEK OF PRODUCTION
- (4) YEAR OF PRODUCTION
- (5) PRODUCTION NUMBER

SERIAL NUMBER EXPLANATION (Units Produced after Nov. 2013)

W	0	8	1	3	9	9	9	9
(1)		(2)		(3)				(4)

- (1) PLANT CODE
- (2) WEEK OF PRODUCTION
- (3) YEAR OF PRODUCTION
- (4) PRODUCTION NUMBER

Note: For Compressor Identification Number, see Compressor Code on Rating Plate

No.	Notes	MODEL COOLING CAPACITY VARIATION	13ACA 36 A01/C01	13ACA 42 A01/C01	13ACA 48 A01/C01	13ACA 60 A01/C01
SHEET METAL PARTS, MISCELLANEOUS (Granite/Steel Gray, After Date Code 4811)						
1		Cabinet	AE-100726-83	AE-100726-83	AE-100726-83	AE-100726-84
2		Cabinet Panel	AE-100727-83	AE-100727-83	AE-100727-83	AE-100727-84
5		Base Pan	AE-101588-03	AE-101588-03	AE-101588-03	AE-101588-03
6		Control Box (2 inch O.D. Capacitor)	AE-100654-81	AE-100654-81	AE-100654-81	AE-100654-83
7		Control Box Cover	AE-100657-81	AE-100657-81	AE-100657-81	AE-100657-81
8		Top Panel	AE-100652-83	AE-100652-83	AE-100652-83	AE-100652-83
10		Grille	95-102925-04	95-102925-04	95-102925-04	95-102925-04
		Center Cap - Blank (for Grille)	91-101123-09	91-101123-09	91-101123-09	91-101123-09
14		Valve Mounting Panel	AE-57780-01	AE-57780-01	AE-57780-01	AE-100185-81
16		Service Valve - Suction	See Coil Group			
17		Service Valve - Liquid	See Coil Group			
19		Low Voltage Cover	AE-57756-01	AE-57756-01	AE-57756-01	AE-57756-01
		Touch-up Paint - Granite/Steel Gray (Aerosol)	PD523018	PD523018	PD523018	PD523018
		Touch-up Paint - Granite/Steel Gray (Paint Pens)	PD523019	PD523019	PD523019	PD523019

No.	Notes	MODEL COOLING CAPACITY VARIATION	13ACA 36 A01	13ACA 42 A01	13ACA 48 A01	13ACA 60 A01
SHEET METAL PARTS, MISCELLANEOUS (Neutra Green, Before Date Code 4811)						
1		Cabinet	AE-100726-53	AE-100726-53	AE-100726-53	AE-100726-54
2		Cabinet Panel	AE-100727-53	AE-100727-53	AE-100727-53	AE-100727-54
5		Base Pan	AE-101588-03	AE-101588-03	AE-101588-03	AE-101588-03
6		Control Box (2 inch O.D. Capacitor)	AE-100654-51	AE-100654-51	AE-100654-51	AE-100654-53
7		Control Box Cover	AE-100657-51	AE-100657-51	AE-100657-51	AE-100657-51
8		Top Panel	AE-100652-53	AE-100652-53	AE-100652-53	AE-100652-53
10		Grille	95-102925-04	95-102925-04	95-102925-04	95-102925-04
		Center Cap - Blank (for Grille)	91-101123-09	91-101123-09	91-101123-09	91-101123-09
14		Valve Mounting Panel	AE-57780-01	AE-57780-01	AE-57780-01	AE-100185-51
16		Service Valve - Suction	See Coil Group			
17		Service Valve - Liquid	See Coil Group			
19		Low Voltage Cover	AE-57756-01	AE-57756-01	AE-57756-01	AE-57756-01
		Touch-up Paint - Green (Aerosol)	523010	523010	523010	523010
		Touch-up Paint - Green (Paint Pens)	52-18662-48	52-18662-48	52-18662-48	52-18662-48

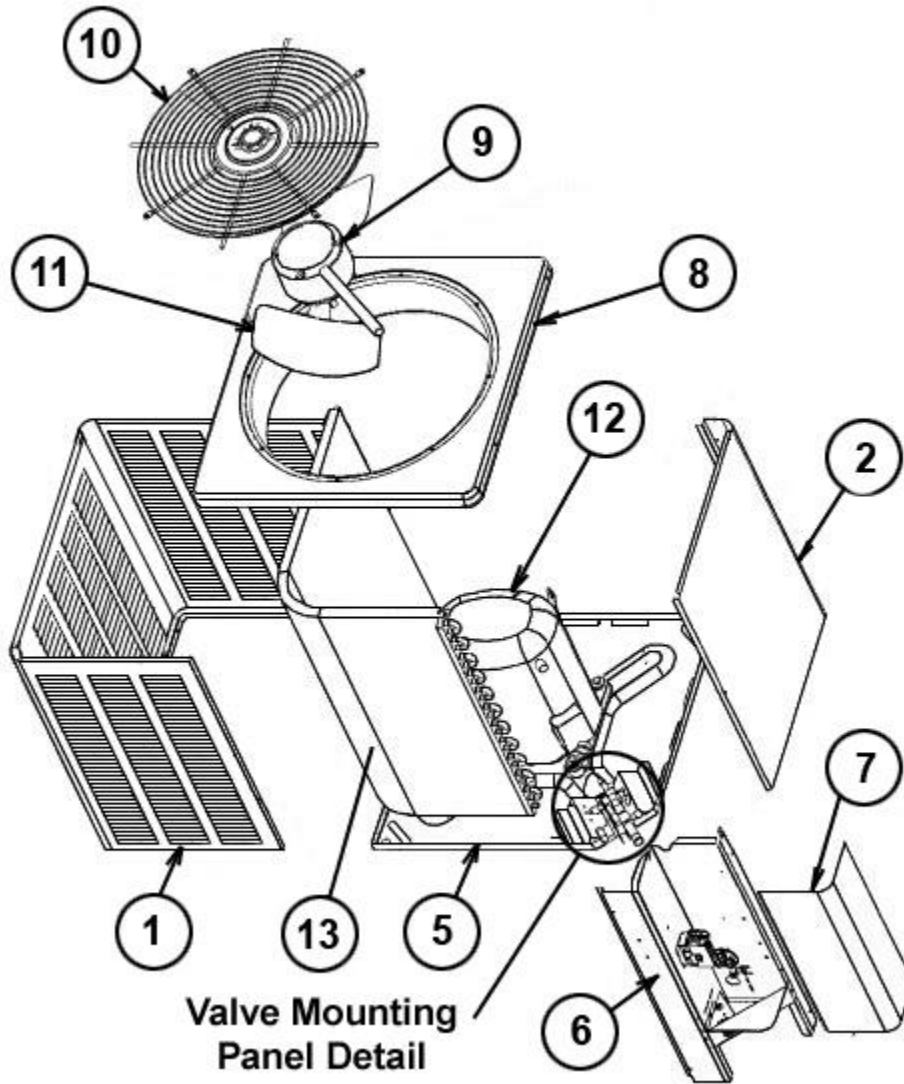
No.	Notes	MODEL	13ACA	13ACA	13ACA	13ACA
		COOLING CAPACITY VARIATION	36 A01/C01	42 A01/C01	48 A01/C01	60 A01/C01
ELECTRICAL/FAN GROUP						
9	Stk	Fan Motor	51-101774-02	51-101774-02	51-102008-07	51-102008-07
11	Stk	Fan Blade	70-102011-03	70-102011-03	70-102011-10	70-102011-10
18	Stk	Contactora	42-40594-14	42-40594-14	42-40594-14	42-22464-03
19		Low Voltage Cover	See Panels - Miscellaneous			
20		Control Box Bottom	AE-100655-01	AE-100655-01	AE-100655-01	AE-100655-01
21		Capacitor - Fan	See Compressor Group			

No.	Notes	MODEL COOLING CAPACITY VARIATION	13ACA 36 A01/C01	13ACA 42 A01/C01	13ACA 48 A01/C01	13ACA 60 A01/C01
COIL GROUP						
13	Stk	Condenser Coil	AS-101761-03	AS-101761-03	AS-101761-03	AS-101763-03
		Distributor - Three Way (3/8 in. to 3/8 in.)	83-17467-07	83-17467-07	83-17467-07	N/A
		Distributor - Three Way (1/2 in. to 3/8 in.)	83-17467-06	83-17467-06	83-17467-06	N/A
15		Valve Mounting Bracket	AE-57781-02	AE-57781-02	AE-57781-02	AE-57781-02
16		Service Valve - Suction	61-21368-22	61-21368-08	61-21368-08	61-21368-08
17		Service Valve - Liquid	61-21368-05	61-21368-05	61-21368-05	61-21368-05
	Stk	Filter Drier	83-26186-02	83-26186-02	83-26186-02	83-26186-02

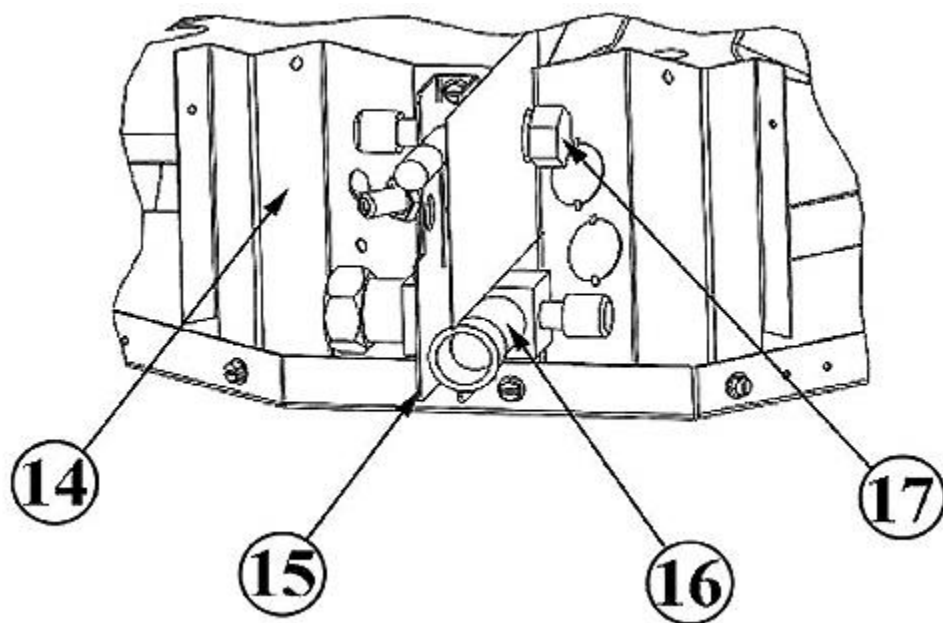
No.	Notes	MODEL COOLING CAPACITY VARIATION	13ACA 36 A01	13ACA 42 A01	13ACA 48 A01	13ACA 60 A01
COMPRESSOR GROUP						
		Compressor ID:	8372	8374	8376	8378
12	Stk	Compressor	55-102045-74S	55-102045-76S	55-102045-78S	55-102045-80S
21	Stk	Capacitor - Fan	43-101666-59	43-101666-59	43-101666-60	43-101666-60
	Stk	Compressor Wiring Harness (Molded Plug)	45-100834-80	45-100834-80	45-100834-80	45-100834-80

No.	Notes	MODEL COOLING CAPACITY VARIATION	13ACA 36 C01	13ACA 42 C01	13ACA 48 C01	13ACA 60 C01
COMPRESSOR GROUP						
		Compressor ID:	8942	8944	8946	8948
12	Stk	Compressor	55-102045-108	55-102045-110	55-102045-112	55-102045-115
21	Stk	Capacitor - Fan	43-101666-59	43-101666-59	43-101666-60	43-101666-60
	Stk	Compressor Wiring Harness (Molded Plug)	45-100834-80	45-100834-80	45-100834-80	45-100834-80

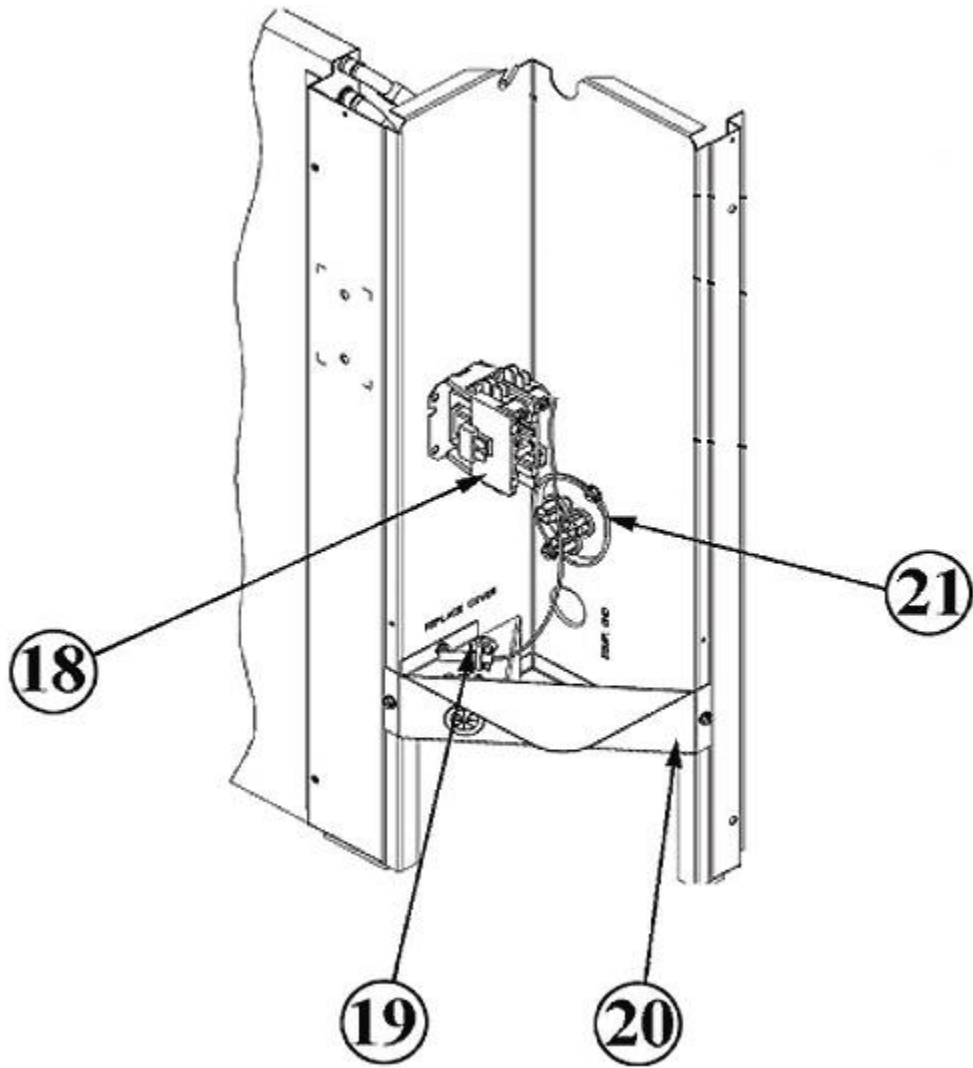
No.	Notes	MODEL COOLING CAPACITY VARIATION	13ACA ALL ALL
ACCESORIES			
		Low Ambient Control	RXAD-A04
		Compressor Time Delay Control	RXMD-B01
		High Pressure Control	RXAB-A03
		Low Pressure Control	RXAC-A03



Exploded View



Valve Mounting Assembly



Control Box

NOTES

Stk It is recommended that stock be maintained for this part.
N/A Not Applicable

DISCLAIMER: This document is intended to provide general replacement parts information to aid qualified service personnel in the repair of these models. The complete Model and Serial Number of the unit under repair should be specified when selecting and ordering replacement parts. Specifications and illustrations are subject to change without notice. Document 92-42805-13ACA supersedes all previous parts lists for these models. See <http://www.rheempartslists.net/92-42805-13ACA> for the latest revision of this document. The manufacturer assumes no obligation for errors or omissions. Service personnel must verify the proper and safe operation of equipment after the replacement of any original components.