

REPLACEMENT PARTS FOR DUCT FURNACES

INDOOR MODELS X AND XE OUTDOOR MODELS RX AND RXE



TABLE OF CONTENTS

REFERENCES	2
CABINET CONFIGURATIONS	2
SERIAL NUMBER.....	2
DUCT FURNACE CABINET COMPONENTS	4
BLOWER CABINET COMPONENTS	7
ELECTRICAL COMPONENTS	10
BURNER COMPONENTS	16
PILOT REPLACEMENT KITS.....	18
HEAT EXCHANGER COMPONENTS	20
BLOWER COMPONENTS	22
BLOWER MOTORS, STARTERS, AND VARIABLE FREQUENCY DRIVES	24
DRIVE COMPONENTS.....	29
ACCESSORIES/OPTIONS	30

IMPORTANT

1. Always include complete model and serial number so that any specification change can be considered for parts replacement. It can save time and expense.
2. In keeping with our policy of continuous product improvement, we reserve the right to alter any information shown here. Specifications are subject to change without notice.
3. We reserve the right to substitute functional replacements.
4. Order by Part Number (PN) not by option designation.

REFERENCES

Table 1. Related Technical Manuals Available from Factory Distributor		
Type	Form	PN*
Installation, operation, and maintenance	X-IOM	150491
Maxitrol amplifier replacement kit installation	OPT-AG7,8,9,9H	262319
Replacement gas valves	P-VALVES	263995
Gas conversion	OPT-GC	143147
Ignition controller replacement kit installation	OPT-IGN-CNTRL	134704
Power vent kit installation	X-CA1,2,3,4	136958

*Also available at www.reznorhvac.com.

CABINET CONFIGURATIONS

- Model X: indoor duct furnace
- Model XE: indoor duct furnace with blower cabinet (discontinued)
- Model RX: outdoor duct furnace (discontinued)
- Model RXE: outdoor duct furnace with blower cabinet (discontinued)
- Prefix (C) indicates higher thermal efficiency, (H) indicates higher CFM capacity, and (HC) indicates higher CFM capacity and thermal efficiency

SERIAL NUMBER

NOTE: Each unit has a replacement parts tag that includes the model and serial numbers as well as a list of original common replacement parts. Always provide the full model and serial numbers when ordering replacement parts.

Serial number format changed in June of 2015. Use the following information to decode system serial numbers:

Decoding a System Serial Number for ALL Models *Before* JUN 2015

Serial No. Sample: S BKL 94 1B N 12345 MV3
 Elements of No.: 1 | 2 | 3 | 4 | 5 | 6 | 7

Key:

- 1 = Stainless steel heat exchanger (standard aluminized heat exchanger has no letter suffix)
- 2 = Date of manufacture (refer to [Table 2](#))
- 3 = Ignition code (refer to form P-VALVES listed in [Table 1](#))
- 4 = Valve code (refer to form P-VALVES listed in [Table 1](#))
- 5 = N = natural gas, L = propane
- 6 = Consecutive number
- 7 = Maxitrol system (optional)

Decoding a System Serial Number for ALL Models *After* MAY 2015

Serial No. Sample: BOG 3062 000000
 Elements Key No.: 1 | 2 | 3

Key:

- 1 = Date of manufacture (refer to [Table 2](#))
- 2 = Plant of manufacture (3060 = Mercer, 3062 = Monterrey)
- 3 = Consecutive number

Table 2. Serial Number Date Codes (Month and Year)

Year	Month											
	JAN	FEB	MAR	APR	MAY	JUN	JUL	AUG	SEP	OCT	NOV	DEC
1981	AGA	AGB	AGC	AGD	AGE	AGF	AGG	AGH	AGI	AGJ	AGK	AGL
1982	AHA	AHB	AHC	AHD	AHE	AHF	AHG	AHH	AHI	AHJ	AHK	AHL
1983	AIA	AIB	AIC	AID	AIE	AIF	AIG	AIH	AII	AIJ	AIK	AIL
1984	AJA	AJB	AJC	AJD	AJE	AJF	AJG	AJH	AJI	AJJ	AJK	AJL
1985	AKA	AKB	AKC	AKD	AKE	AKF	AKG	AKH	AKI	AKJ	AKK	AKL
1986	ALA	ALB	ALC	ALD	ALE	ALF	ALG	ALH	ALI	ALJ	ALK	ALL
1987	AMA	AMB	AMC	AMD	AME	AMF	AMG	AMH	AMI	AMJ	AMK	AML
1988	ANA	ANB	ANC	AND	ANE	ANF	ANG	ANH	ANI	ANJ	ANK	ANL
1989	AOA	AOB	AOC	AOD	AOE	AOE	AOG	AOH	AOI	AOJ	AOK	AOL
1990	APA	APB	APC	APD	APE	APF	APG	APH	API	APJ	APK	APL
1991	AQA	AQB	AQC	AQD	AQE	AQF	AQG	AQH	AQI	AQJ	AQK	AQL
1992	ARA	ARB	ARC	ARD	ARE	ARF	ARG	ARH	ARI	ARJ	ARK	ARL
1993	ASA	ASB	ASC	ASD	ASE	ASF	ASG	ASH	ASI	ASJ	ASK	ASL
1994	ATA	ATB	ATC	ATD	ATE	ATF	ATG	ATH	ATI	ATJ	ATK	ATL
1995	AUA	AUB	AUC	AUD	AUE	AUF	AUG	AUH	AUI	AUJ	AUK	AUL
1996	AVA	AVB	AVC	AVD	AVE	AVF	AVG	AVH	AVI	AVJ	AVK	AVL
1997	AWA	AWB	AWC	AWD	AWE	AWF	AWG	AWH	AWI	AWJ	AWK	AWL
1998	AXA	AXB	AXC	AXD	AXE	AXF	AXG	AXH	AXI	AXJ	AXK	AXL
1999	AYA	AYB	AYC	AYD	AYE	AYF	AYG	AYH	AYI	AYJ	AYK	AYL
2000	AZA	AZB	AZC	AZD	AZE	AZF	AZG	AZH	AZI	AZJ	AZK	AZL
2001	BAA	BAB	BAC	BAD	BAE	BAF	BAG	BAH	BAI	BAJ	BAK	BAL
2002	BBA	BBB	BBC	BBD	BBE	BBF	BBG	BBH	BBI	BBJ	BBK	BBL
2003	BCA	BCB	BCC	BCD	BCE	BCF	BCG	BCH	BCI	BCJ	BCK	BCL
2004	BDA	BDB	BDC	BDD	BDE	BDF	BDG	BDH	BDI	BDJ	BDK	BDL
2005	BEA	BEB	BEC	BED	BEE	BEF	BEG	BEH	BEI	BEJ	BEK	BEL
2006	BFA	BFB	BFC	bfd	BFE	BFF	BFG	BFH	BFI	BFJ	BFK	BFL
2007	BGA	BGB	BGC	BGD	BGE	BGF	BGG	BGH	BGI	BGJ	BGK	BGL
2008	BHA	BHB	BHC	BHD	BHE	BHF	BHG	BHH	BHI	BHJ	BHK	BHL
2009	BIA	BIB	BIC	BID	BIE	BIF	BIG	BIH	BII	BIJ	BIK	BIL
2010	BJA	BJB	BJC	BJD	BJE	BJF	BJG	BJH	BJI	BJJ	BJK	BJL
2011	BKA	BKB	BKC	BKD	BKE	BKF	BKG	BKH	BKI	BKJ	BKK	BKL
2012	BLA	BLB	BLC	BLD	BLE	BLF	BLG	BLH	BLI	BLJ	BLK	BLL
2013	BMA	BMB	BMC	BMD	BME	BMF	BMG	BMH	BMI	BMJ	BMK	BML
2014	BNA	BNB	BNC	BND	BNE	BNF	BNG	BNH	BNI	BNJ	BNK	BNL
2015	BOA	BOB	BOC	BOD	BOE	BOF	BOG	BOH	BOI	BOJ	BOK	BOL
2016	BPA	BPB	BPC	BPD	BPE	BPF	BPG	BPH	BPI	BPJ	BPK	BPL
2017	BQA	BQB	BQC	BQD	BQE	BQF	BQG	BQH	BQI	BQJ	BQK	BQL
2018	BRA	BRB	BRC	BRD	BRE	BRF	BRG	BRH	BRI	BRJ	BRK	BRL
2019	BSA	BSB	BSC	BSD	BSE	BSF	BSG	BSH	BSI	BSJ	BSK	BSL
2020	BTA	BTB	BTC	BTD	BTE	BTF	BTG	BTH	BTI	BTJ	BTK	BTL
2021	BUA	BUB	BUC	BUD	BUE	BUF	BUG	BUH	BUI	BUJ	BUK	BUL
2022	BVA	BVB	BVC	BVD	BVE	BVF	BVG	BVH	BVI	BVJ	BVK	BVL
2023	BWA	BWB	BWC	BWD	BWE	BWF	BWG	BWH	BWI	BWJ	BWK	BWL
2024	BXA	BXB	BXC	BXD	BXE	BXF	BXG	BXH	BXI	BXJ	BXK	BXL
2025	BYA	BYB	BYC	BYD	BYE	BYF	BYG	BYH	BYI	BYJ	BYK	BYL

DUCT FURNACE CABINET COMPONENTS

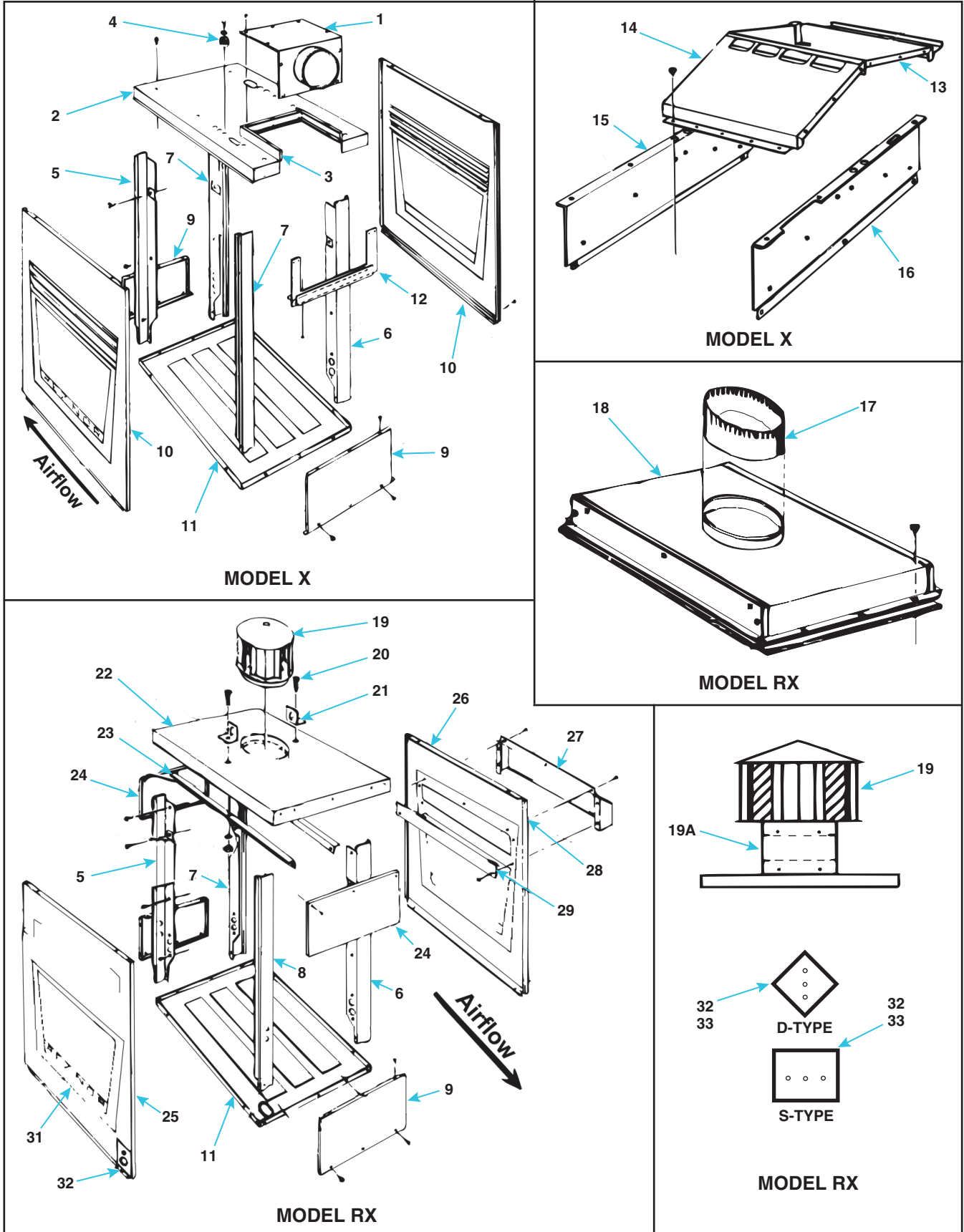


Figure 1. Duct Furnace Cabinet Components (Refer to Table 3)

Table 3. Duct Furnace Cabinet Components

Item No.	Component	Description	Model	Unit Size												
				075	100	125	150	175	200	225	250	300	D300	350	400	
				PN (Quantity)*												
1	Collar assembly	Flue collar	X	55197	9918	9882	9842	9842	12727			86047		86049		
			CX				—		—	12727	9803	86047	—	86047	86049	
2	Top assembly	Draft hood	X	55196	20830	20831	20832		20833		86059		86063	86060	86061	
2A	assembly	With flue collar	CX			20831		20832	—	20833	85533	86059	—	86062		
3	Support	Flue collar	X	9848				9691								
4	Connector	Hanger	X	9557(2)												
5	Corner leg	Left rear	X, RX	11004				11006								
6		Right front	X, RX	10309				10311								
7		Left front	X	10310				10312								
		Right rear	X, RX													
8		Left front	RX	11003				11005								
9	Bottom panel	Front	X	67693	9926	9889	9850	9810	9771	9542	9735	9542				
		Rear		RX	67693											
		Front	RX		67693											
		Rear		RX	67693											
10	Side panel	Right	X		67695	11819				11849						
		Left		11819				11849								
11	Heater bottom pan	Aluminized	X, RX	15244		15248	14618		14624		14625		14632	15249	14632	
		Stainless	X	15978		26167	15979		15980		15981		15982	26168	15982	
			RX	—		15978	—		—		—		—	—	—	
12	Top	Back	X	9916	9880	9840		9801		9762		9684	9729	9684		
13	Draft hood baffle	Rear	X	85778		85782	85786		85790		85793		85799	85796	85799	
14		Front		85802	85803	85536	85804	85805	67699	17486	67701	17507	67044	17525	17540	
15	Draft hood	Right side	X	85807				17484								
16		Left side		85808				17483								
17	Collar	Flue	RX	12011		86474		12014		12015		12015				
			CRX	—		—		—		12014		—				
18	Flue collection box	With collar	RX	86430	86436	86437	86441	86445	86447	86455	86457	86463	87148	86466	86470	
			CRX	86476	86478	86480	—	86482	—	89207	86484	86486	—	86487	86489	
19	Vent cap	6-inch	RX	110053		—		—								
		8-inch		—		61857		—								
		10-inch	RX	—				61866		—		—				
			CRX	—				—		61866		—				
		12-inch	RX	—				61875		61875		61875				
19A	Vent cap extension	7-1/4-inch, series 6	CRX, HCRX	—										12018		
		12-inch, series 8		—										20524		
		12-inch, series 6 and 8	RX, HRX	—				20524		—		20524		20524		
			CRX, HCRX	—				—		20524		—		—		
20	Bolt	Hex, 7/16 x 1	RX	16251(2)												
21	Eye	Lift		11026(2)												
22	Top panel	Includes insulation	RX	10847		10866	10873		10881		10890	11107	10904	10897	10904	
			CRX	10847		10866	10873		10881		10890	103656				
23	Angle	Hanger	RX	11012(2)												
24	Top panel	Front		103645		100030		100032		100033		100035	100034	100035		
		Back		103645		100030		100032		100033		100035	100034	100035		
25	Side panel	Left		67710		55291	14613		14621							
26		Right		67713		55292	17254		11052							
27	Inlet shield	Combustion air		110697												
28	Screen			—				—				148396				
29	Inlet angle			12649				10850								
30	Panel			Corner	15029											
31	Nameplate			Replaces PN 9538	121264											

*Quantity is one (1) unless otherwise indicated.

DUCT FURNACE CABINET COMPONENTS—CONTINUED

Table 3. Duct Furnace Cabinet Components—Continued															
Item No.	Component	Description	Model	Unit Size											
				075	100	125	150	175	200	225	250	300	D300	350	400
				PN (Quantity)*											
32	Restrictor	Flue	RX	Refer to Table 4											
33	Z-baffle	Option ZZ with extended stack													
34	Foot	Support	X	10680 (4)											
35	Leg support	Horizontal, between right corner leg and heat exchanger	RX	124592 (2)											

*Quantity is one (1) unless otherwise indicated.

Table 4. Flue Restrictors and Z-Baffles							
Unit Size	Model (Series)	Flue Restrictor			Z-Baffle		
		Type	Size (Inches)	PN	Type	Size (Inches)	PN
075	RX, HRX (6)	S	4-1/8 × 4-1/8	86435	S	4-7/16 × 4-7/16	86491
	RX, HRX (8)	D	3-3/8 × 3-3/8	136738	D	4-5/8 × 4-5/8	136743
	CRX, HCRX	S	4-1/4 × 4-1/4	86492	S	4-3/4 × 4-3/4	86496
100	RX, HRX (6)	—			S	4-1/4 × 4-1/4	86492
	RX, HRX (8)	—		136739	D	4-1/4 × 4-1/4	136744
	CRX, HCRX	S	1-3/4 × 5-3/4	86479	S	4-3/4 × 4-7/16	89211
125	RX, HRX (6)	D	5-5/8 × 5-5/8	86440	S	6-7/16 × 6-7/16	15584
	RX, HRX (8)	D	5-5/8 × 5-5/8	86440	D	6-3/8 × 6-3/8	136745
	CRX, HCRX	D	5-3/4 × 5-3/4	89205	S	6-7/16 × 6-7/16	15584
150	RX, HRX (6)	S	3-1/2 × 7-1/2	86444	D	6-1/4 × 6-1/4	86485
	RX, HRX (8)	D	5-1/8 × 5-1/8	136740	D	6-1/8 × 6-1/8	136746
175	RX, HRX (6)	S	2-3/4 × 7-1/2	86446	D	6 × 6	86493
	RX, HRX (8)	D	4-13/16 × 4-13/16	136741	D	6 × 6	86493
	CRX, HCRX	S	3-5/8 × 7-1/2	89206	D	6-1/4 × 6-1/4	86485
200	RX, HRX (6)	D	7 × 7	86454	S	8 × 8	86488
	RX, HRX (8)	D	6 × 6	86493	D	7-3/4 × 7-3/4	89212
225	RX, HRX (6)	D	6-5/8 × 6-5/8	86456	S	7-3/4 × 7-3/4	14935
	RX, HRX (8)	D	4-1/2 × 4-1/2	136742	D	7-5/8 × 7-5/8	15596
	CRX, HCRX	D	6-7/8 × 6-7/8	89208	S	8 × 8	86488
250	RX, HRX (6)	S	3-1/2 × 7-1/2	86444	D	7-1/2 × 7-1/2	15599
	RX, HRX (8)	D	6 × 6	86493	D	7 × 7	86454
	CRX, HCRX	D	6-3/8 × 6-3/8	89209	D	7-3/4 × 7-3/4	89212
300	RX, HRX (6)	D	8-1/4 × 8-1/4	86465	S	9-1/4 × 9-1/4	15601
	RX, HRX (8)	D	7 × 7	86454	D	9-1/8 × 9-1/8	136747
	CRX, HCRX	S	3 × 7-1/2	89210	D	7-3/8 × 7-3/8	86497
D300	RX, HRX (6)	—			S	9-1/4 × 9-1/4	15601
350	RX, HRX (6)	D	7-1/2 × 7-1/2	15599	S	8-7/8 × 8-7/8	86494
	RX, HRX (8)	—			S	8-1/2 × 8-1/2	86495
	CRX, HCRX	S	8 × 8	86488	S	9 × 9	86498
400	RX, HRX (6)	S	8-1/4 × 8-1/4	86465	S	8-1/2 × 8-1/2	86495
	RX, HRX (8)	—			S	8-1/2 × 8-1/2	86495
	CRX, HCRX	S	4-7/8 × 11-3/4	86490	S	8-5/8 × 8-5/8	89213

BLOWER CABINET COMPONENTS

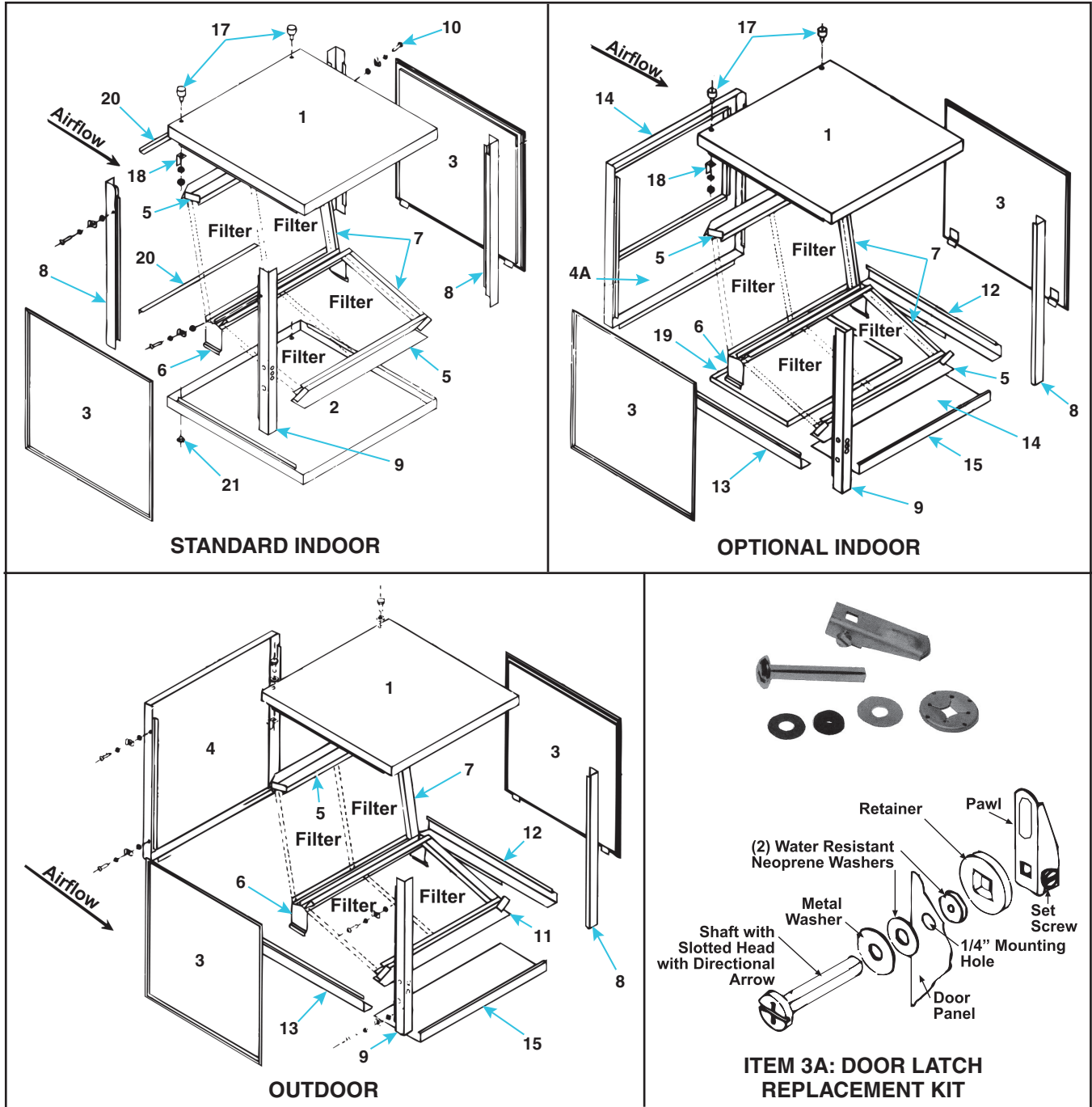


Figure 2. Blower Cabinet Assemblies (Refer to Table 5)

BLOWER CABINET COMPONENTS—CONTINUED

Table 5. Blower Cabinet Components										
Item No.	Component	Description	Cabinet*	Unit Size						
				075, 100, 125	150, 175	200, 225	250, 300	350	400	
				PN (Quantity)**						
—	Blower cabinet assembly***	Model XE	SI	12545	12546	12547	12548	12549	12550	
			OI	17046	17055	17063	17066	17120	17123	
		Model RXE	O	84215	84216	84217	84218	84219	84220	
1	Panel	Top	SI	11522	11529	11197	11564	11574	11583	
		Top, with insulation	OI, O	11825	11842	11767	11856	11862	11777	
2		Bottom	SI	11522	11529	11197	11564	11574	11583	
3	Door	Cabinet	SI	51041 (2)	51041 (2)	51042 (2)	51042 (2)	51042 (2)	51042 (2)	
			OI	84221 (2)	84221 (2)	84222 (2)	84222 (2)	84222 (2)	84222 (2)	
		Cabinet, with insulation	O	15457 (2)	15457 (2)	15459 (2)	15459 (2)	15459 (2)	15459 (2)	
3A	Replacement kit	Door latch	O	112974						
4	End panel	—	OI	12075	12411	11540	12414	12029	11589	
		With outside air opening	O	12074	12410	11539	12413	12028	11588	
		Return air only		15322	15323	15324	15325	15326	15327	
		With 30% outside air and manual damper		12389	12349	11375	12116	12356	11384	
		With 30% outside air and motorized damper		37621	37623	37625	37627	37629	37631	
4A	Insulation	End panel	OI	51053	51054	12327	12328	26103	12329	
			O	11158	11165	11167	11176	11180	11184	
5	Support	Filter	SI, OI, O	19704 (2)	19710 (2)	19717 (2)	19723 (2)	19729 (2)	19736 (2)	
6	Stop	Intermediate filter		19708 (2)	19715 (2)	19721 (2)	19727 (2)	19734 (2)	19742 (2)	
7	Filter Stop	Top	SI, OI	—	—	—	—	104086	19733	19740
		Bottom						104086	19733	19741
		Top	O					19714	19733	19740
		Bottom						19714	—	19741
8	Corner support	Left rear	S	11517	11517	11210	11210	11210	11210	
		SI, OI, O	11517	11517	11210	11210	11210	11210		
9		Left	SI, OI, O	11519	11519	19982	19982	19982	19982	
10		Right rear	SI	11518	11518	11211	11211	11211	11211	
11	Filter rack	Assembly	SI, OI, O	24501	24503	24505	24507	24509	24511	
12	Panel	Bottom left	OI, O	11203						
13		Bottom right		11204						
14	Insulation	Bottom panel	OI	11155	11162	11167	11176	11180	11184	
			O	26102	12307	12328	12328	26103	12329	
15	Bottom section	Rear	OI, O	11526	11533	11392	11571	11580	11393	
16	Replacement filters			Refer to Table 6						
17	Hanger	Assembly	SI, OI	9557 (2)						
18	Support	Hanger		10219 (2)						
19	Inlet cap	Cabinet bottom	OI	12513	12514	11538	12515	12516	11587	
20	Angle	Duct-connecting	SI	11523	11530	11536	11567	11576	11584	
21	Plug	Bottom panel hole	SI	82413						
22	Spray adhesive	Insulation, 13-3/4-ounce can	O	112225						
23	Screen	Return air opening	SI, OI	Refer to Table 7						

*SI = standard indoor. OI = optional indoor. O = outdoor.
 **Quantity is one (1) unless otherwise indicated.
 ***Does not include filter rack and filters.

Table 6. Replacement Filters								
Type	Size (Inches)	Cabinet	Unit Size					
			075, 100, 125	150, 175	200, 225	250, 300	350	400
			PN (Quantity)					
Disposable	16 x 20 x 1	Outdoor	—		— (2)*		—	—
	16 x 25 x 1		— (2)*		—		— (1)*	— (3)*
	20 x 20 x 1		—		—		— (3)*	— (2)*
	20 x 25 x 1		—		—		—	—
	16 x 20 x 2	Standard and optional indoor	—		104097 (2)	—	—	
	16 x 25 x 2		—		104099 (2)	—	—	104099 (3)
	20 x 20 x 2		104098 (2)	—	—	104098 (2)	104098 (1)	—
	20 x 25 x 2		—	104100 (2)	—	104100 (2)	104100 (3)	104100 (1)
16 x 20 x 1	—		101607 (2)	—	—			
16 x 25 x 1	—		101609 (2)	—	—	101609 (3)		
20 x 20 x 1	101608 (2)		—	—	101608 (2)	101608 (1)	—	
20 x 25 x 1	—		101610 (2)	—	101610 (2)	101610 (3)	101601 (1)	
16 x 20 x 2	—		101620 (2)	—	—			
16 x 25 x 2	—		101622 (2)	—	—	101622 (3)		
20 x 20 x 2	101621 (2)	—	—	101621 (2)	101621 (1)	—		
20 x 25 x 2	—	101623 (2)	—	101623 (2)	101623 (3)	101623 (1)		
Pleated	16 x 20 x 1	—		104105 (2)	—	—		
	16 x 25 x 1	—		104107 (2)	—	—	104107 (3)	
	20 x 20 x 1	104106 (2)	—	—	104106 (2)	104106 (1)	—	
	20 x 25 x 1	—	104108 (2)	—	104108 (2)	104108 (3)	104108 (1)	
	16 x 20 x 2	—		104110 (2)	—	—		
	16 x 25 x 2	—		104112 (2)	—	—	104112 (3)	
	20 x 20 x 2	104111 (2)	—	—	104111 (2)	104111 (1)	—	
	20 x 25 x 2	—	104113 (2)	—	104113 (2)	104113 (3)	104113 (1)	

*1-inch disposable filters are no longer available as a replacement part and must be supplied locally.

Table 7. Return Air Opening Screens							
Cabinet	Size (Inches)	Unit Size					
		075, 100, 125	150, 175	200, 225	250, 300	350	400
		PN					
Standard indoor	20 x 29	114468	—	—		—	
	25-1/2 x 29	—	114469	—		—	
	30-3/4 x 32	—		114470	—		—
	39-1/4 x 32	—		—	114471		—
	44-3/4 x 32	—		—		114472	—
	50-1/4 x 32	—		—		—	114473
Standard and optional indoor	27-5/16 x 29-3/8	114474*	—	—		—	
	32-3/4 x 29-3/8	—	114475*	—		—	
	38-1/4 x 29-3/8	—		114476*	—		—
	46-1/2 x 29-3/8	—		—	114477*		—
	52 x 29-3/8	—		—		114478*	—
	57-1/2 x 29-3/8	—		—		—	110983*

*With dampers.

ELECTRICAL COMPONENTS

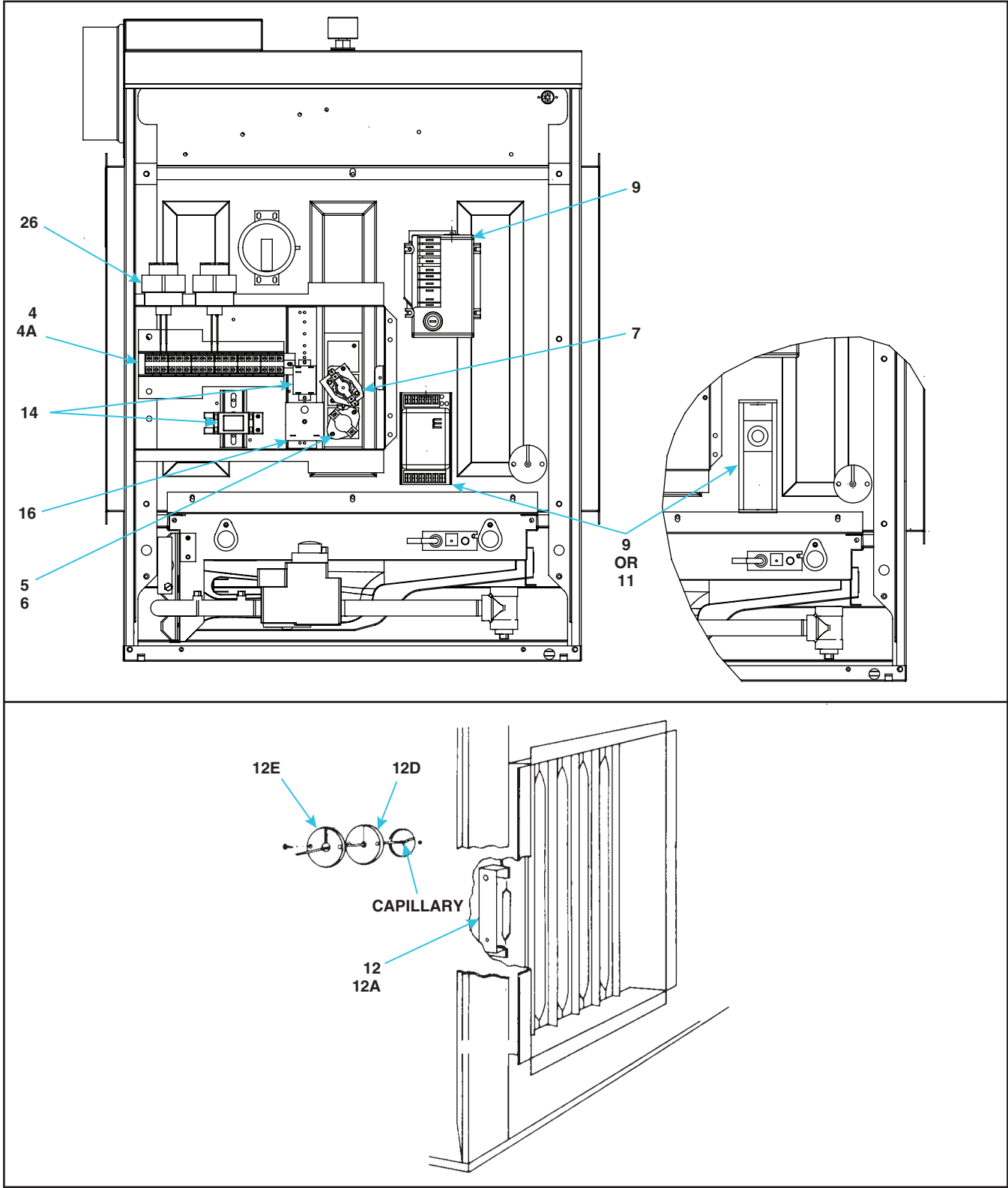


Figure 3. Control Locations (Refer to Table 8)

Table 8. Electrical Components

Item No.	Component	Description	PN
1	Box	Outlet	24612
2	Cover	Outlet box	24616
3	Extension	Cover (XE model, unit sizes 075 and 100)	135440
4	Block	Terminal	144972
4A	Adapter	Terminal block	144973
5	Limit control	125°F open, 105°F close	50417
6	Shield	Limit	12229
7	Relay	Time delay	209164
	Control	Fan	10357
7A	Kit	Replacement (replaces PN 10357)	209184
8	Blocked vent switch	Refer to Table 9	
8A	Gasket	Blocked vent switch	103256
9	Ignition controller	Without lockout	257009
		With lockout	257010
9A	Replacement kit	Ignition controller without lockout	257472
		Ignition controller with lockout	257473
10	Relay	—	18549
10A	Replacement kit	Relay (replaces PNs 14747, 98118, and 103317)	263527
11	Sensor	Discharge air (Maxitrol #TS-121)	48041
11A	Gasket	Discharge air sensor	104138
12	Ductstat	Two-stage, 60–110°F, 5-foot capillary (Honeywell #T678A1015), units manufactured before MAR 2022, no longer available—replaced by PN 211481	41700
		Two-stage, 50–120°F, 10-foot capillary, units manufactured after FEB 2022, replaces PN 41700 —note that terminal designations are different (Jumo #6000444832)	211481
12A	Bulb holder	For two-stage ductstat manufactured by Honeywell	100260
		For two-stage ductstat manufactured by Essex Corp.	104156
12B	Cable strap	Ductstat	16227
12C	Bracket		104156
12D	Gasket		7726
12E	Retaining plate		7727
13	Ductstat sensor		Used in options AG15–AG20 (SET #A99BC-25C)
13A	Holder	Ductstat sensor (#TE6001-1)	115850
14	Remote ductstat	Assembly, electronic	—
14A	Selector module	Ductstat temperature, used in options AG15–AG20 (J/C #A350AA-1C)	115848
14B	Module	Stage adder, used in options AG15–AG20 (J/C #S350AA-1C)	115849
14C	Display module	Digital temperature, used in options AG16, AG18, and AG20 (J/C #D350AA-1C)	115852
15	ECO device	306°F (used on match-lit units manufactured before OCT 2003)	131450
15A	Plate	Mounting (used on indoor units)	82633
16	Relay	Time delay, used in freezestat circuit (T&B Agastat #TM1ULA)	89661
17	Heat shield	US	10188
		Canada	63818
18	Pressure switch	Dirty filter, field-adjustable, 0.17–5.00 (±0.05) IN WC range (Cleveland Controls #RFS-4100-040)	105507
19	Fuse	2.5A	61542
		5A	90335
		8A	38636
19A	Holder	Fuse	38635
20	Blower airflow switch	N.O. non-adjustable setpoint 0.175 IN WC (Tridelta #FP6605)	112107
	Air proving switch, option BW1		
21	Freezestat/high ambient limit Outside/return air control	25–225°F, replaces PN 16108 (J/C #A19AAF-12C)	126170
21A	Bracket	Bulb	100260
21B	Clamp	Grommet	131993
21C		Cable	132065
22	Control/damper transformer	225/24/20VA (Basler #BE121625-WAR)	103054
		115/24/40VA (Basler #BE141650-WAA)	103055
		208/230/24/40VA (Basler #BE2153900)	103497
		460/24/40VA (Basler #BE23975001)	103498

ELECTRICAL COMPONENTS—CONTINUED

Table 8. Electrical Components—Continued			
Item No.	Component	Description	PN
23	Transformer	Refer to Table 10	
24	Vent damper used in option AV7	6-inch	234007
		7-inch	234008
		8-inch	234009
		10-inch	234010
		12-inch	234011
25	Optional power venter	Refer to Table 11	
26	Disconnect switch	Refer to Table 12	
27	Three-position toggle switch	DPDT, 4 × 4 box, option CN1	40277
28	Two-position toggle switch	DPST, 2 × 4 box, option CN2	39732
29		SPDT, 2 × 4 box, option CN3	39733
30		ON/OFF toggle switch*	SPST, 2 × 4 box, option CN4
31	Remote console, optional**	Refer to Table 13	
31A	Box	Remote console, 10-1/16 × 6-5/8 × 2-5/8 inches	107010
		Remote console, 15-1/16 × 4-5/8 × 2-5/8 inches	107011
31B	Mounting ring	For 10-1/16-inch-long box	107014
		For 15-1/16-inch-long box	107015
31C	Indicator light	Red lens (Solico #5TD1L-R-B5)	101889
31D	Control switch	Three-position toggle, DPDT, replaces PN 21816 (used in option CN1, RC5, RC6, RC7, RC8, RC10, RC11, and RC12, Cutler Hammer #7561K6)	101900
31E		Two-position toggle, SPDT, replaces PN 1052 (used in options CN3, CN4, RC13, RC4, RC7, RC8, and RC11, Cutler Hammer #7505K6)	101901
31F		Two-position toggle, DPST, replaces PN 16816 (used in options CN2 AG3, AG6, AG8, AG9, and RC12)	101902
31G	Thermostat	Single-stage heating	255350
		Two-stage heat/cool non-programmable	220630
		Single-stage heating/cooling	220632
		Two-stage heat/cool programmable	221038
31H	Thermostat guard	With locking cover (#TG512A 1009)	257463
		With locking cover (#TG511A 1000)	257464
31J	Potentiometer	Honeywell #112894FA	16110
*When replacing SPST switch with SPDT switch, make wiring connections at appropriate two terminals for switch to function properly.			
**Includes a mounting ring so that the console may be either recessed or wall-mounted. The box is 16 gauge steel with knockout holes for field-wiring. The cover is made of plastic with custom engraving. Order replacement parts by part number.			

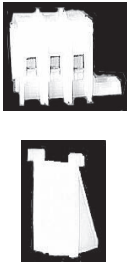

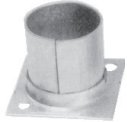
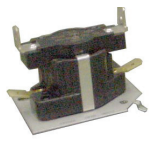


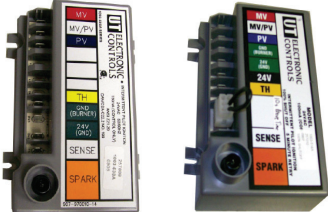
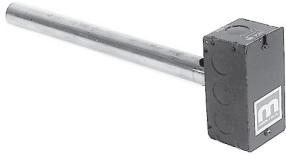



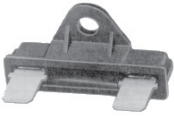
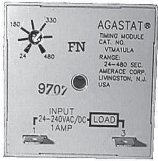
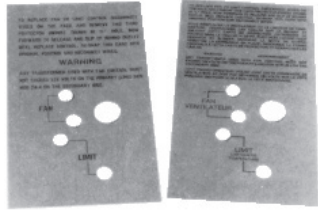







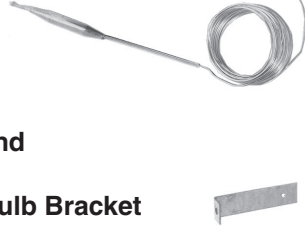
<p>Items 4 and 4A: Terminal Block and Terminal Block Adapter</p> 	<p>Item 5: Limit Control</p> 	<p>Item 6: Limit Shield</p> 	<p>Item 7: Time Delay Relay</p> 	<p>Item 8: Blocked Vent Switch</p> 	<p>Item 10: Relay</p> 
<p>Item 9: Ignition Controller</p>  <p>PN 257009 PN 257010</p>	<p>Items 11 and 11A: Discharge Air Sensor and Gasket</p> 	<p>Item 12: Two-Stage Ductstat</p> 	<p>Items 13 and 13A: Ductstat Sensor and Holder</p> 		
<p>Item 14: Remote Electronic Ductstat</p>  <p>14A 14B 14C</p>	<p>Item 15: ECO Device</p> 	<p>Item 16: Time Delay Relay</p> 	<p>Item 17: Heat Shield</p>  <p>PN 10188 PN 63818</p>		
<p>Item 18: Dirty Filter Switch</p> 	<p>Items 19 and 19A: Fuse and Fuse Holder</p> 	<p>Item 20: Blower Airflow/Air Proving Switch</p> 	<p>Items 21 and 21A: Freezestat/High Ambient Limit/Outside/Return Air Control</p> 		
<p>Item 22: Control/ Damper Transformer</p> 	<p>Item 23: Transformer</p> 	<p>Item 24: Vent Damper</p> 	<p>and Bulb Bracket</p> 		

Figure 4. Individual Electrical Components (Refer to Table 8)

ELECTRICAL COMPONENTS—CONTINUED

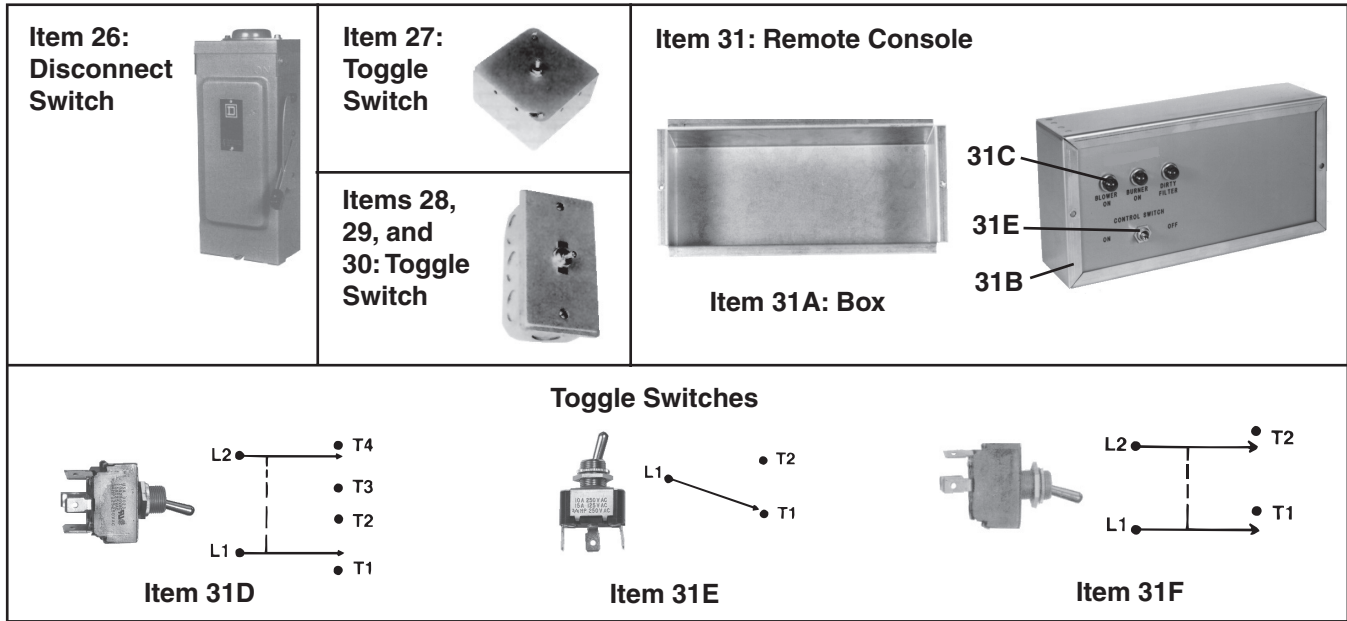


Figure 5. Switches and Remote Console (Refer to Table 8)

Table 9. Blocked Vent Switches (Indoor Models)

Color	Setting	Model	Unit Size										
			075	100, 125	150	175	200	225	250	300	D300	350	400
			PN										
White	150°F	X, CX, HX, HCX, XE, CXE, HXE, HCXE	112753	—	112753	—	—	—	112753	—	112753	—	
Green	175°F	X, HX, XE, HXE	—			112754			—	112754	—	112754	—
		CX, HCX, CXE, HCXE	—	112754	—	112754	—	112754	—	112754	—	112754	—
Blue	200°F	X, HX, XE, HXE	—	136736	—	—	—	—	—	—	—	136736	

Table 10. Transformers

kVA*	Voltage			
	200/208	220/240/440/480	277	575
	PN			
0.25	19807	11279	—	113556
0.50	19808**	11100	14993**	—
0.75	24453**	11217	14994**	
1.0	24454**	16065	14995**	
1.5	24455**	24392**	14996**	
2.0	24456**	26628**	14997**	
3.0	24465**	26630**	14998**	
5.0	24466**	26631**	15003**	

*Primary as listed—120V secondary.

**Special order.

Option	Voltage	Component	Unit Size						
			075	100	125	150, 175	200, 225	250, 300*	350, 400**
			Inches						
CA1	115	Kit package	136959	136960	136961	136962	136963	136964	136965
		Venter subassembly	29992		29992		29992		29994
		Venter flue adapter	14516	6536	6539	6542	12730	12731	12732
CA2	208	Kit package	136966	136967	136968	136969	136970	136971	136972
		Venter subassembly	30229		30229		30229		30233
		Venter flue adapter	14516	6536	6539	6542	12730	12731	12732
CA3	230	Kit package	136973	136974	136975	136976	136977	136978	136979
		Venter subassembly	30231		30231		30231		30235
		Venter flue adapter	14516	6536	6539	6542	12730	12731	12732
CA4	460	Kit package	136980	136981	136982	136983	136984	136985	136986
		Venter subassembly	29992		29992		29992		29994
		Transformer, 0.25 kVA, 460V–115V	11279		11279		11279		11279
		Venter flue adapter	14516	6536	6539	6542	12730	12731	12732

*For model DX unit size 300, use order kit for unit size 400.

**For model CX(E) unit size 350, order the kit for unit size 350 plus a flue adapter (PN 46163).

Description	Indoor Units		Outdoor Units	
	Option	PN	Option	PN
30A, 300V, non-fusible	CP1	40267	CP5	40269
30A, 300V, fusible (fuses not included)	CP2	40268	CP6	87147
30A, 600V, non-fusible	CP3	50365	CP7	50367
30A, 600V, fusible (fuses not included)	CP4	50366	CP8	50368

Option	Optional Control	Assembly Dimensions		
		Length*	Height*	Depth
		Inches		
RC1, RC2, RC3, RC4, RC5, RC6, RC7, RC8, RC9, RC10, RC12	Without	10-9/16	7-1/4	2-5/8
RC1, RC2, RC3, RC4, RC5, RC6, RC9	With			
RC7, RC8, RC10, RC12	With	15-9/16		
RC11	With/without			

*Subtract 5/8-inch when recessing console (not using wall-mounting ring).

BURNER COMPONENTS

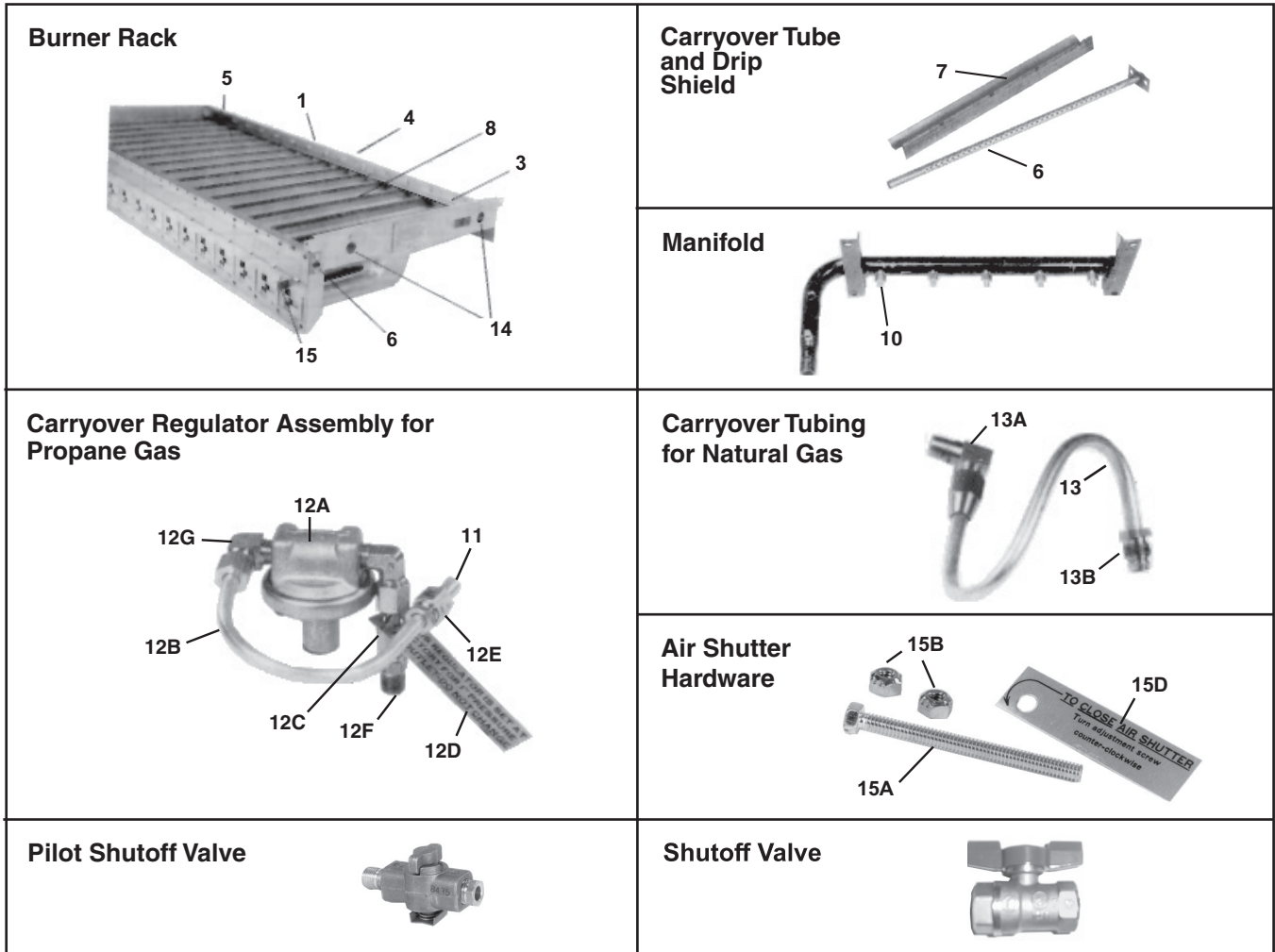


Figure 6. Burner Components (Refer to Table 14)

Table 14. Burner Components											
Item No.	Component	Description	Unit Size								
			075	100	125	150, 175	200, 225	250, 300	D300	350	400
			PN (Quantity)*								
1	Burner rack**	Aluminized	65971	65972	65973	65974	65975	65976	65978	65977	65978
		Stainless steel	65979	65980	65981	65982	65983	65984	65986	65985	65986
2	Flash carryover	One-piece	63128		63131		—	—	—	—	
3		Right section	—		—		63148	63141	63152	63148	63152
4		Center section	—		—		—	63156	68071	68071	
5		Left section	—		—		63144	63144		63144	
6	Carryover lighter tube	All RX models and model X propane units	9899	9859	9821	9783	9747	9520	9711	9520	
7	Drip shield	Carryover lighter tube, model X series 6 natural gas units	15015	15014	15013	15012	15011	14957	15010	14957	
8	Main burner	Aluminized	85218 (4)	85218 (5)	85218 (7)	85218 (9)	85218 (12)	85218 (16)	85218 (14)	85218 (16)	
		Stainless steel	87954 (4)	87954 (5)	87954 (7)	87954 (9)	87954 (12)	87954 (16)	87954 (14)	87954 (16)	
9	Manifold	Without orifices	86338	86339	86340	86342	86343	86345	86344	86345	

*Quantity is one (1) unless otherwise indicated.
 **Includes carryovers and air shutters.

Table 14. Burner Components—Continued

Item No.	Component	Description	Unit Size								
			075	100	125	150, 175	200, 225	250, 300	D300	350	400
			PN (Quantity)*								
10	Orifices	Burner	Refer to Table 15								
11		Carryover									
12	Carryover regulator	Assembly	100712								
12A		Maxitrol #RV-12, Propane	11294								
12B		Tubing, 1/4 x 5-1/2	9681								
12C		Tubing, 1/4 x 1-1/4	11892								
12D		Tag	11935								
12E		Compression fitting	9664								
12F		Fitting, regulator to manifold	1436								
12G		90-degree elbow, brass	18224 (2)								
13	Carryover tubing	Natural gas	93389								
13A	Elbow	Brass	93388								
13B	Fitting	Compression	9664								
14	Isinglass	Burner rack	010756 (2)								
15	Hardware	Air shutter	—								
15A	Adjustment screw	1/4-20 x 2-1/2	10653								
15B	Hex nut	1/4-20	10650 (2)								
15C	Tinnerman nut	1/4-20	10651								
15D	Instruction tag	Adjustment	11934								
16	Shutoff valve	Pilot	3284								
17		1/2-inch	196910								
		3/4-inch	1196911								
		1-inch	159725								

*Quantity is one (1) unless otherwise indicated.

Table 15. Burner and Carryover Orifices

Model (Series)	Gas Type	Unit Size										
		075	100, 125	150	175	200	225	250	300	D300	350	400
		PN (Orifice Size)										
Burner Orifices												
HX, RX (all)	NG	38678 (#45)	11792 (#41)	11828 (#43)	11792 (#41)	11828 (#43)	11792 (#41)	11833 (#44)	11792 (#41)	38678 (#45)	11792 (#41)	
HCX, CRX (all)			11828 (#43)	—	11828 (#43)	—	11828 (#43)	38678 (#45)	11828 (#43)	—	11828 (#43)	
HX, RX (all)	LP	63003 (1.20 mm)	61652 (1.45 mm)	11830 (#55)	61652 (1.45 mm)	11830 (#55)	61652 (1.45 mm)	11830 (#55)	61652 (1.45 mm)	63003 (1.20 mm)	61652 (1.45 mm)	
HCX, CRX (all)			11830 (#55)	—	11830 (#55)		63003 (1.20 mm)	11830 (#55)				
Carryover Orifices												
HX, HCRX (6)	NG	9870 (#70)	9680 (#65)	10370 (#59)		10370 (#59)	10370 (#59)	—	9792 (#54)			
HCX, HRX (all)				9680 (#65)			9791 (#56)					
HX, HRX, HCRX (all)	LP	9870 (#70)	9680 (#65)	9680 (#65)		10370 (#59)	9791 (#56)					
HCX (6)				9680 (#65)			9791 (#56)					

PILOT REPLACEMENT KITS

NOTES:

HORIZONTAL SPARK PILOT

- Horizontal spark pilot kits (see [Figure 7](#)) are available for models X, XE, CX, CXE, RX, RXE, CRX, and CRXE manufactured *after* AUG 1973. Installation instructions follow.
- Horizontal spark pilots for ignition systems other than G60, G65, G67, G770, and UTEC-1003 are no longer available.
- Kits also apply to models listed with the prefix H.
- These pilots replace Baso #J991HXW (natural gas PN 45150 and propane PN 45141).

HORIZONTAL MATCH-LIT PILOT

- Horizontal match-lit pilot kits (see [Figure 8](#)) are available for models X, XE, HX, HXE, CX, CXE, HCX, and HCXE manufactured from SEP 1973 to 2003.

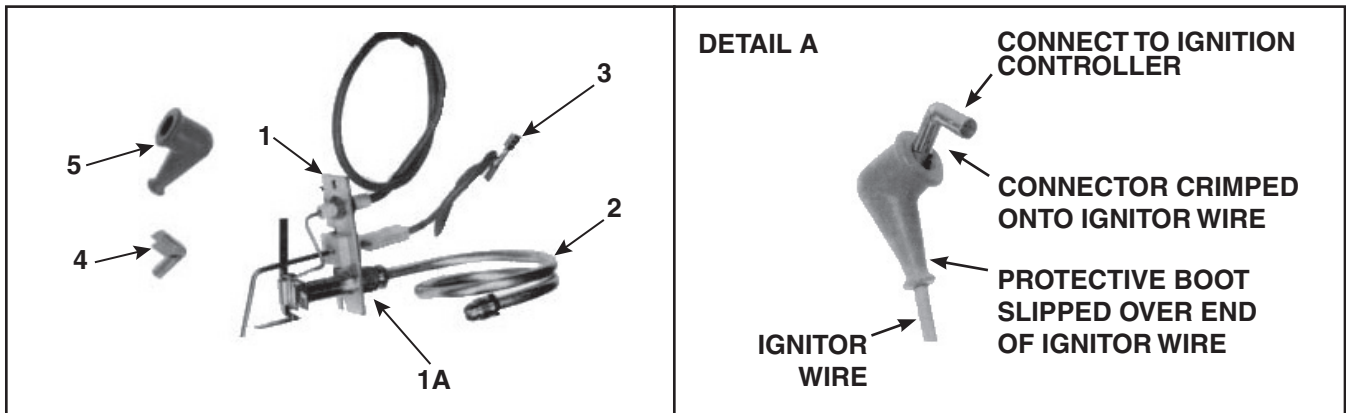


Figure 7. Horizontal Spark Pilot Replacement Kit (Refer to [Table 16](#))

Table 16. Horizontal Spark Pilot Replacement Kit Components				
Item No.	Component	Description	Natural Gas	Propane
			Kit PN	
			110861	110862
			Comonent PN (Quantity)*	
1	Pilot assembly	Includes orifice	61145	61146
1A	Orifice		63088	37801
2	Tubing	Pilot, 22 inches long	5145	
	Nut	With breakaway ferrule	9664 (2)	
3	Sensor lead	Flame, 16 inches long	50450	
4**	Terminal connector	Crimp-on, 90-degree (Rajah)	112647	
5**	Protective boot	90-degree	112648	

*Quantity is one (1) unless otherwise indicated.

**The terminal connector (item 4) and protective boot (item 5) are required (in the kit or separately) on units equipped with a model G60 or G67BG-NG-2 ignition controller. Note that these parts are not required when the ignition controller is a model G67BG-5, G770NGC-4, or UTEC-1003.

Refer to **Figure 7**, DETAIL A to connect the ignitor lead on replacement spark pilots to model G60 and G67 ignition controllers as follows. Item numbers in parentheses refer to **Figure 7** and **Table 16**.

1. Identify ignitor wire attached to pilot electrode and slip protective boot (5) onto wire.
2. Prepare terminal connector (4) for installation as follows:
 - a. Locate flat, triangular spike tab punched in metal on open leg of terminal connector (4).
 - b. Using tip of small, flat-tip screwdriver, force spike tab toward inside of terminal connector (4).
 - c. Straighten spike tab to vertical position.
3. Insert ignitor wire into open leg of terminal connector (4), to 90-degree bend and push wire onto protruding spike tab, ensuring that tab penetrates wire insulation. Do not strip ignitor wire.
4. Using crimping tool or pliers, squeeze sides of terminal connector (4) to form C shape. Ignitor wire should now be firmly held by terminal connector.
5. Slide protective boot (5) over terminal connector (4).
6. While holding protective boot (5), connect terminal connector (4) to ignitor lead Rajah connector on model G60 or G67BG/NG-2 ignition controller.

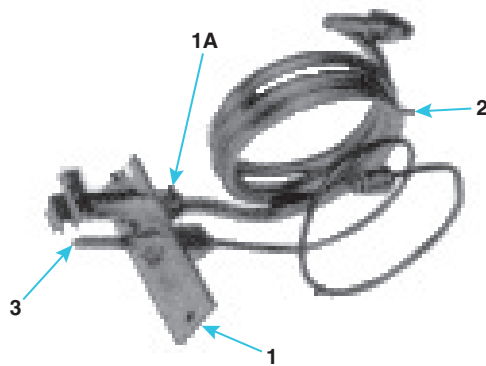


Figure 8. Horizontal Match-Lit Pilot Replacement Kit (Refer to Table 17)

Table 17. Horizontal Match-Lit Pilot Replacement Kit Components				
Item No.	Component	Description	Natural Gas	Propane
			Kit PN	
			110859	110860
			Component PN (Quantity)*	
1	Pilot assembly	Includes orifice	17890	017890
1A	Orifice		46392	42089
2	Tubing	Pilot, 26 inches long	7671	
	Nut	With breakaway ferrule	9664 (2)	
3	Thermocouple	TC2, 24 inches long	84761	

*Quantity is one (1) unless otherwise indicated.

HEAT EXCHANGER COMPONENTS

NOTES:

- When replacing a heat exchanger (see [Figure 9](#)), check to see if the baffle assembly can be salvaged. If the baffle assembly cannot be salvaged, items 4–9 from [Table 18](#) must be ordered separately and must be field-installed in the replacement heat exchanger. Baffle parts cannot be installed in the replacement heat exchanger at the factory. They must be ordered separately and installed in the field.
- Models X, CX, RX, CRX, and packaged systems with these duct furnaces as components are equipped with a heat exchanger directional air baffle assembly.
- Models HX, HCX, HRX, HCRX, and packaged systems with an H or HC prefix are equipped with only a rear top baffle support (item 7, [Table 18](#)) and a rear top baffle (item 8, [Table 18](#)) as shown in [Figure 10](#). If these parts cannot be salvaged, order and install replacements.
- Manufacture of HX models was discontinued in 2011. A model X unit manufactured after discontinuing the H models includes a high CFM conversion kit. For just the high CFM kit, order PN [263308](#). Refer to installation/operation/maintenance manual listed in [Table 1](#).

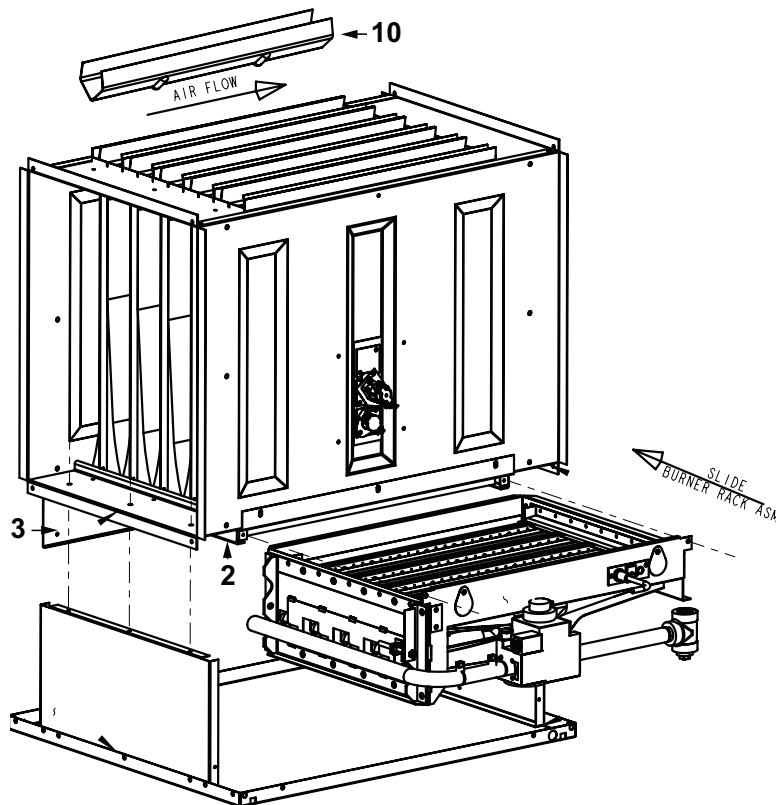


Figure 9. Heat Exchanger Assembly (Refer to [Table 18](#))

Table 18. Heat Exchanger Components

Item No.	Component	Description	Unit Size						
			075, 100	125	150, 175	200, 225	250, 300	350	D300, 400
			PN (Quantity)*						
1	Heat exchanger	Aluminized steel (X and CX models)	9895	9855	9817	9779	9743	9707	9514
		409 stainless steel (X and CX models)	19429	19430	19431	19432	19433	19434	19435
		Aluminized steel (RX and CRX models)	44301	44304	44307	44310	44313	44316	44319
		409 stainless steel (RX and CRX models)	44302	44305	44308	44311	44314	44317	44320
2	Slide rail	Burner rack	9897 (2)		9819 (2)	9781 (2)	9745 (2)	9709 (2)	9517 (2)
3	Back brace	Burner rack	9525		9525		9525		
4	Bracket	Bottom baffle support	55101 (2)		55101 (2)		55101 (4)		
5	Baffle	Finger	45399 (3)		45399 (6)	45399 (8)	45399 (11)	45399 (13)	45399 (15)
6	Support	Bottom baffle	46478	46484	46489	46494	46499	46504	46509
7		Rear top baffle	55103	55104	55106	55108	55110	55112	55114
8	Baffle	Rear top	55116	55117	55119	55121	55123	55125	55127
9		Side finger	55128 (2)		55128 (2)		55128 (2)		
10		Heat exchanger V-tube	85727 (4)	85727 (5)	85727 (7)	85727 (9)	85727 (12)	85727 (14)	85727 (16)

*Quantity is one (1) unless otherwise indicated.

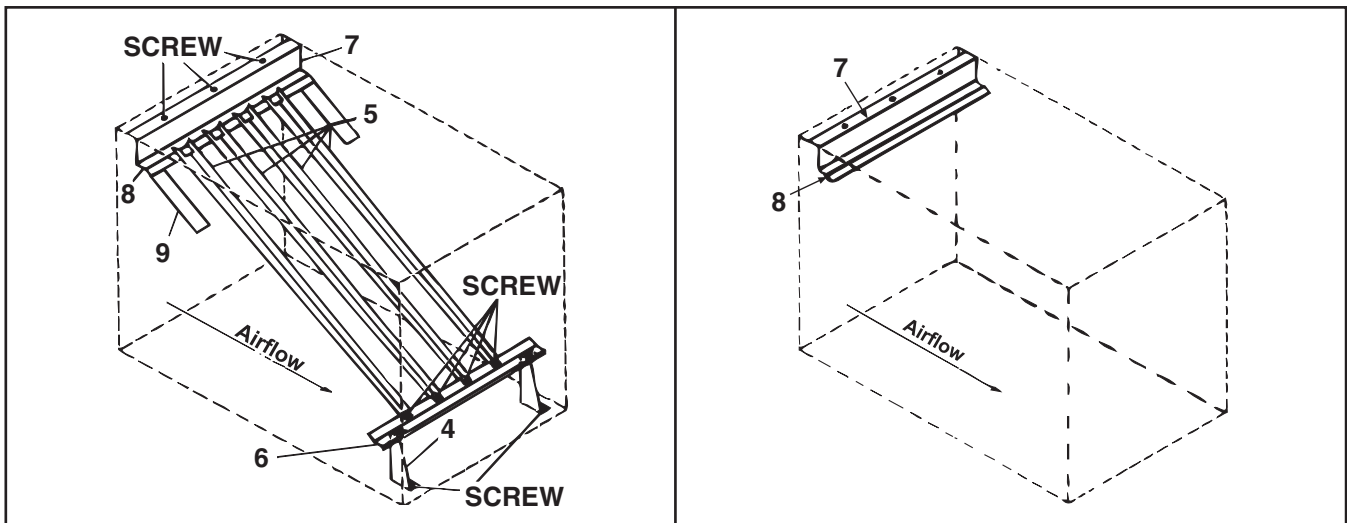


Figure 10. Heat Exchanger Baffle Assembly (Refer to Table 18)

BLOWER COMPONENTS

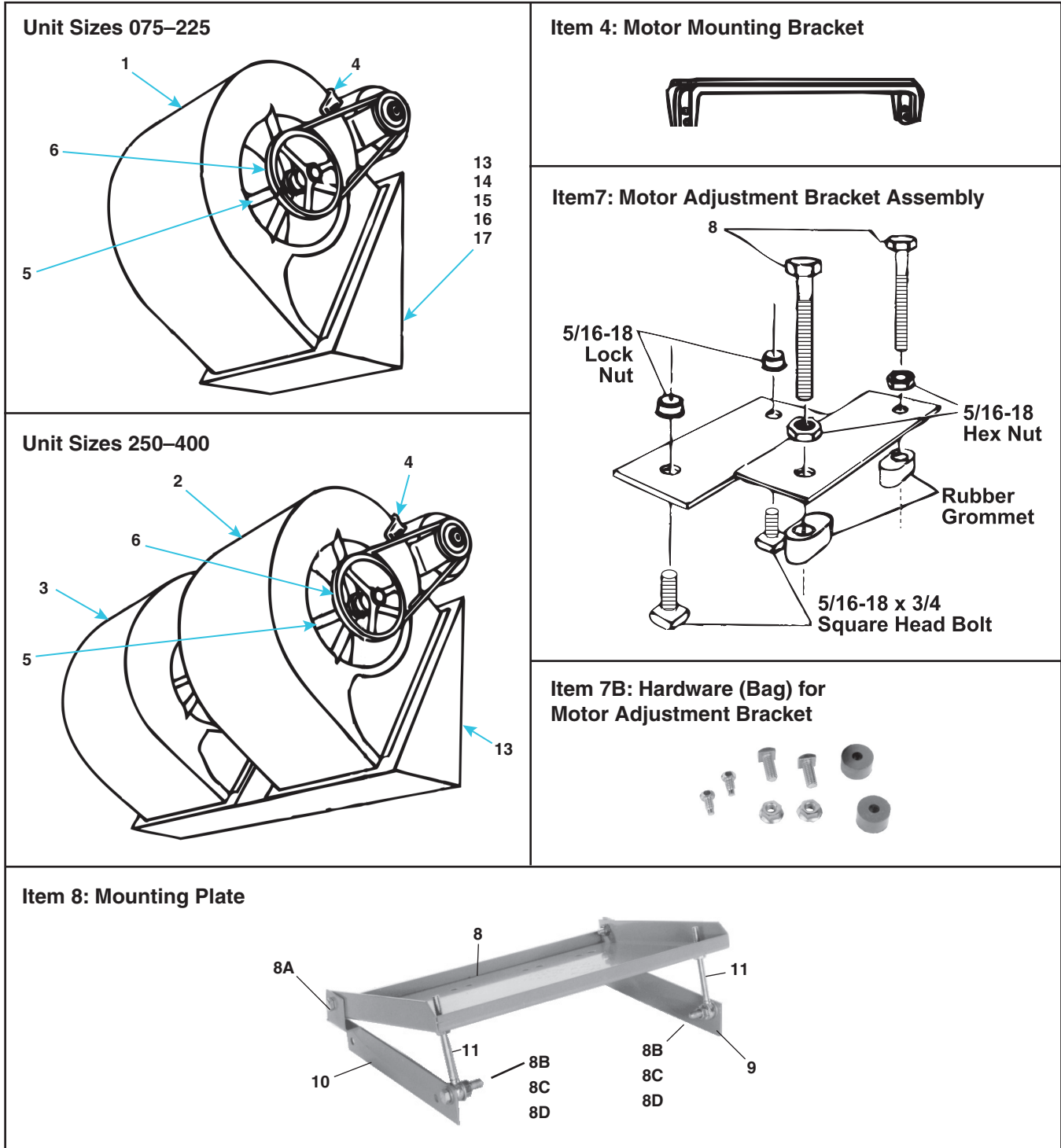


Figure 11. Blower Components (Refer to [Table 19](#))

Table 19. Blower Components

Item No.	Component	Description	Unit Size					
			075, 100, 125	150, 175	200, 225	250, 300	350	400
			PN (Quantity)*					
1	Blower	Includes housing, wheel, shaft, and bearings	1357	1360	—	—	—	—
2		Includes motor bracket, housing, and wheel	—	—	24230	24232	—	—
3	Housing and wheel	Blower	—	—	24229	24231	—	—
4	Mounting bracket**	14-inch plate, 10-inch wheel	44409	—	44409	—	—	—
		16-inch plate, 12-inch wheel	—	44410	—	44410	—	—
5	Blower shaft	3/4 x 22	11302	—	—	—	—	—
		1 x 22	—	11303	—	—	—	—
		1 x 39-1/4	—	—	10120	—	—	—
		1 x 44-5/8	—	—	—	—	10121	—
6	Bearing	Blower	7310 (2)	10437 (2)	10437 (2)	10437 (2)	10437 (2)	—
7	Bracket	Assembly, motor adjustment	44411					
7A	Bolt	Hex head, 5/16 -18 x 4	14668					
7B	Bag	Hardware	64940					
8	Plate***	Mounting	12578					
8A	Bolt	Mounting plate	16247					
8B			16248					
8C			6554					
8D			1087					
9	Support	Left mounting plate	12576					
10		Right mounting plate	12577					
11	Rod bolt	Motor mounting plate assembly	12489					
12	Key	Blower	19361					
13	Back assembly	Blower adapter	193986	194054	194093	193988	194063	194064
14	Top/bottom	Blower adapter	53277 (2)	—				
15	Sides	Blower adapter	53278 (2)	—				
16	Filler	Left corner support	53279	—				
17		Right corner support	53280	—				

*Quantity is one (1) unless otherwise indicated.

**For blower motors <1 HP.

***For blower motors ≥1-1/2 HP.

BLOWER MOTORS, STARTERS, AND VARIABLE FREQUENCY DRIVES

NOTES:

- Variable frequency drives (option VFD) and their corresponding line reactors are shown in [Figure 12](#) and listed in [Table 20](#).
- Replacement motors are listed by type and horsepower for open-type motors, TEFC-type (totally-enclosed fan-cooled) motors, and EE-type (premium efficiency) motors. **Highlighted motors in [Table 21](#), [Table 22](#), and [Table 23](#) do not have internal overload protection and must be used with the motor starter and overload listed.**
- For motors with internal overloads, the standard motor contactor is PN [216386](#) (PN 122376 for model XE).
- Units with two-speed motors manufactured *after* AUG 1991, are equipped with IEC two-speed starters (contactors). When ordering a replacement IEC starter (refer to [Table 24](#)) or overload, check the manufacturer's number on both parts. If the number is different than that listed in [Table 21](#), [Table 22](#), and [Table 23](#), both components must be replaced. The IEC starter and overload (see [Figure 12](#)) are mounted on a rail (PN [111387](#)).
- Units with two-speed motors manufactured *before* SEP 1991, are equipped with NEMA starters. If replacing a NEMA starter with an IEC starter, refer to [Table 25](#) to replace the complete starter. The original box and cover may be used for the replacement IEC starter.
- Replacement holding coils for IEC starters are listed in [Table 26](#).

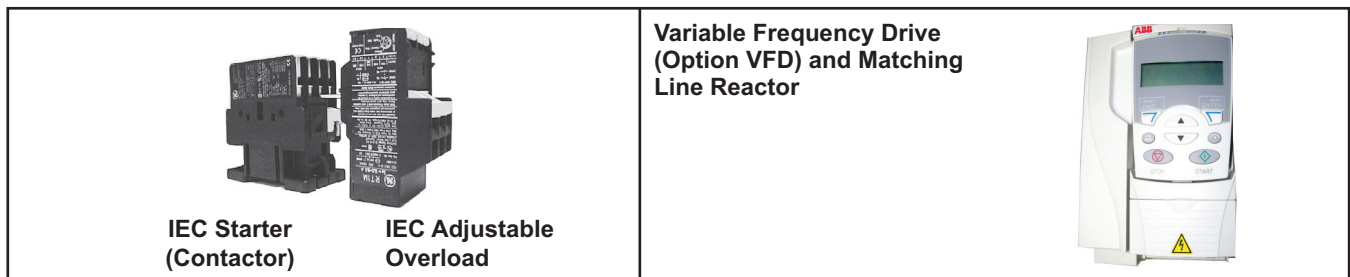


Figure 12. IEC Starter and Overload and Variable Frequency Drive

Table 20. Variable Frequency Drives and Corresponding Line Reactors													
Motor Horsepower	Drive and Line Reactor	V/PH/Hz											
		208/1/60 and 230/1/60		208/3/60 and 230/3/60			480/3/60			575/3/60			
		Open	TEFC	Open	TEFC	EE	Open	TEFC	EE	Open	TEFC	EE	
1/2	Drive	221600		221605			—			221612			—
	Line reactor	221595		221598			221590						
3/4	Drive	—		221606			—			221613			
	Line reactor	—		221598			221591						
1	Drive	221601		221607			221614						
	Line reactor	221596		221594			221592						
1-1/2	Drive	221602		221608			221615						
	Line reactor	221597		221595			221593						
2	Drive	221603		221609			221616			221855			
	Line reactor	221597		221596			221585			Built-in			
3	Drive	221604		221610			221617			221856			
	Line reactor	221599		221597			221586			Built-in			
5	Drive	—		221611			221618			221857			
	Line reactor	—		221599			221587			Built-in			

Table 21. Open-Type Motors by Motor Option and Starter

HP	Option	Motor							Starter (Option AN10)		Starter Overload			
		MFR's Model	Full Load Amps (FLA)	Voltage/Phase	Frame Size	Service Factor	Power Factor	PN	MFR's Model	PN	MFR's Model	Min Amps	Max Amps	PN
1/4	AL2	BF2024	4.6	120/1	48/56	1.35	—	210611	CL00A310T-J	151146	RTA1-L	4.00	6.30	151191
		BF2024	2.3	208/1	48/56	1.15	63	210611	CL00A310T-L	151150	RTA1-J	1.90	2.70	151189
		BF2024	2.3	240/1	48/56	1.15	63	210611	CL00A310T-S	151147	RTA1-J	1.90	2.70	151189
		M3003	1.1	208/3	K48	1.35	72	115864	CL00A310T-L	151150	RTA1-G	1.00	1.50	151187
		M3003	1.4	240/3	K48	1.35	72	115864	CL00A310T-S	151147	RTA1-G	1.00	1.50	151187
		M3003	0.75	480/3	K48	1.35	72	115864	CL00A310T-U	151148	RTA1-F	0.65	1.10	151186
1/3	AL3	BF2034	6.0	120/1	48/56	1.35	—	202091	CL00A310T-J	151146	RTA1-L	4.00	6.30	151191
		BF2034	3.0	208/1	48/56	1.35	62.8	202091	CL00A310T-L	151150	RTA1-K	2.50	4.10	151190
		BF2034	3.0	240/1	48/56	1.35	62.8	202091	CL00A310T-S	151147	RTA1-K	2.50	4.10	151190
		M3007	1.4	208/3	K48	1.35	—	115863	CL00A310T-L	151150	RTA1-G	1.00	1.50	151187
		M3007	1.6	240/3	K48	1.35	—	115863	CL00A310T-S	151147	RTA1-H	1.30	1.90	151188
		M3007	0.8	480/3	K48	1.35	—	115863	CL00A310T-U	151148	RTA1-F	0.65	1.10	151186
1/2	AL4	BF2054	8.8	120/1	56Z	1.15	—	102627	CL00A310T-J	151146	RTA1-N	8.00	12.00	151193
		BF2054	5.1	208/1	56Z	1.15	—	102627	CL00A310T-L	151150	RTA1-L	4.00	6.30	151191
		BF2054	4.4	240/1	56Z	1.15	—	102627	CL00A310T-S	151147	RTA1-L	4.00	6.30	151191
		H880	2.5	208/3	LA56	1.25	—	159183	CL00A310T-L	151150	RTA1-J	1.90	2.70	151189
		H880	3.0	240/3	LA56	1.25	—	159183	CL00A310T-S	151147	RTA1-K	2.50	4.10	151190
		H880	1.5	480/3	LA56	1.25	—	159183	CL00A310T-U	151148	RTA1-H	1.30	1.90	151188
3/4	AL5	H991	0.9	575/3	H56	1.25	—	202089	CL00A310T-1	151275	RTA1-F	0.65	1.10	151186
		C426V1	11.0	120/1	B56	—	—	93548	CL01A310T-J	151151	RTA1-P	10.00	16.00	151194
		C426V1	5.5	208/1	B56	—	—	93548	CL00A310T-L	151150	RTA1-M	5.50	8.50	151192
		C426V1	5.4	240/1	B56	—	—	93548	CL00A310T-S	151147	RTA1-L	4.00	6.30	151191
		312P696	2.9	208/3	D56	1.25	—	36951	CL00A310T-L	151150	RTA1-K	2.50	4.10	151190
		312P696	2.6	240/3	D56	1.25	—	36951	CL00A310T-S	151147	RTA1-K	2.50	4.10	151190
1	AL6	312P696	1.3	480/3	D56	1.25	—	36951	CL00A310T-U	151148	RTA1-G	1.00	1.50	151187
		H992	1.0	575/3	H56	1.25	—	202090	CL00A310T-1	151275	RTA1-F	0.65	1.10	151186
		C523	13.0	120/1	H56	1.25	—	13685	CL01A310T-J	151151	RTA1-P	10.00	16.00	151194
		C523	7.5	208/1	H56	1.25	—	13685	CL00A310T-L	151150	RTA1-M	5.50	8.50	151192
		C523	6.5	240/1	H56	1.25	—	13685	CL00A310T-S	151147	RTA1-M	5.50	8.50	151192
		H882	3.7	208/3	H56	1.15	—	36580	CL00A310T-L	151150	RTA1-K	2.50	4.10	151190
1.5	AL7	H882	3.2	240/3	H56	1.15	—	36580	CL00A310T-S	151147	RTA1-K	2.50	4.10	151190
		H882	1.6	480/3	H56	1.15	—	36580	CL00A310T-U	151148	RTA1-H	1.30	1.90	151188
		E1006L	1.1	575/3	N143T	1.15	—	158175	CL00A310T-Y	151149	RTA1-G	1.00	1.50	151187
		C524	15.0	120/1	56	1.20	86.4	194202	CL02A310T-J	151156	RTA1-P	10.00	16.00	151194
		C524	7.8	208/1	56	1.20	86.4	194202	CL00A310T-L	151150	RTA1-M	5.50	8.50	151192
		C524	7.5	240/1	56	1.20	86.4	194202	CL00A310T-S	151147	RTA1-M	5.50	8.50	151192
2	AL8	H884L	5.6	208/3	F56	1.15	66.4	115859	CL00A310T-L	151150	RTA1-L	4.00	6.30	151191
		H884L	5.0	240/3	F56	1.15	66.4	115859	CL00A310T-S	151147	RTA1-L	4.00	6.30	151191
		H884L	2.8	480/3	F56	1.15	66.4	115859	CL00A310T-U	151148	RTA1-K	2.50	4.10	151190
		E1007	1.6	575/3	R145T	1.15	85.3	158162	CL00A310T-Y	151149	RTA1-H	1.30	1.90	151188
		RB1204AV1	24.6	120/1	56H	1.15	81.8	202581	CL25A310T-J	1024072	RTA1-T	17.50	22.00	151197
		RB1204AV1	12.3	208/1	56H	1.15	81.8	202581	CL01A310T-L	151155	RTA1-N	8.00	12.00	151193
3	AL9	RB1204AV1	12.3	240/1	56H	1.15	81.8	202581	CL01A310T-S	151152	RTA1-N	8.00	12.00	151193
		H886	7.0	208/3	56HZ	1.15	67	159327	CL00A310T-L	151150	RTA1-M	5.50	8.50	151192
		H886	6.6	240/3	56HZ	1.15	67	159327	CL00A310T-S	151147	RTA1-M	5.50	8.50	151192
		H886	3.5	480/3	56HZ	1.15	67	159327	CL00A310T-U	151148	RTA1-K	2.50	4.10	151190
		E1008	2.1	575/3	P145T	1.15	86	158176	CL00A310T-Y	151149	RTA1-J	1.90	2.70	151189
		B735	13.7	208/1	L56	1.15	94.5	111560	CL02A310T-L	151159	RTA1-P	10.00	16.00	151194
3	AL9	B735	12.4	240/1	L56	1.15	94.5	111560	CL01A310T-S	151152	RTA1-P	10.00	16.00	151194
		H845	9.0	208/3	P56HZ	1.15	—	159185	CL00A310T-L	151150	RTA1-N	8.00	12.00	151193
		H845	8.6	240/3	P56HZ	1.15	—	159185	CL00A310T-S	151147	RTA1-N	8.00	12.00	151193
		H845	4.3	480/3	P56HZ	1.15	—	159185	CL00A310T-U	151148	RTA1-L	4.00	6.30	151191
		H954	3.6	575/3	P145T	1.15	80.3	120019	CL00A310T-Y	151149	RTA1-K	2.50	4.10	151190

BLOWER MOTORS, STARTERS, AND VARIABLE FREQUENCY DRIVES—CONTINUED

Table 21. Open-Type Motors by Motor Option and Starter—Continued

HP	Option	Motor							Starter (Option AN10)		Starter Overload			
		MFR's Model	Full Load Amps (FLA)	Voltage/Phase	Frame Size	Service Factor	Power Factor	PN	MFR's Model	PN	MFR's Model	Min Amps	Max Amps	PN
5	AL10	V211	28.3	208/1	L184T	1.15	79.2	111562	CL04A310M-L	151169	RTA1-V	25.00	32.00	151199
		V211	25.6	240/1	L184T	1.15	79.2	111562	CL04A310M-S	151166	RTA1-V	25.00	32.00	151199
		196033J	13.4	208/3	Y56HZ	1.15	87.2	113371	CL01A310T-L	151155	RTA1-P	10.00	16.00	151194
		196033J	13.2	240/3	Y56HZ	1.15	87.2	113371	CL01A310T-S	151152	RTA1-P	10.00	16.00	151194
		196033J	6.6	480/3	Y56HZ	1.15	87.2	113371	CL00A310T-U	151148	RTA1-M	5.50	8.50	151192
		H956	5.4	575/3	Y56HZ	1.15	85.9	120020	CL00A310T-Y	151149	RTA1-L	4.00	6.30	151191

Table 22. TEFC Motors by Motor Option and Starter—Continued

HP	Option	Motor							Starter (Option AN10)		Starter Overload			
		MFR's Model	Full Load Amps (FLA)	Voltage/Phase	Frame Size	Service Factor	Power Factor	PN	MFR's Model	PN	MFR's Model	Min Amps	Max Amps	PN
1/4	AL19	#904	3.8	120/1	M48	1.00	—	16074	CL00A310T-J	151146	RTA1-K	2.50	4.10	151190
		C199	2.0	208/1	H56	1.35	—	16074	CL00A310T-L	151150	RTA1-J	1.90	2.70	151189
		C199	1.9	240/1	H56	1.35	—	16074	CL00A310T-S	151147	RTA1-H	1.30	1.90	151188
		125439	1.6	208/3	B56	1.00	61.9	16075	CL00A310T-L	151150	RTA1-H	1.30	1.90	151188
		125439	1.4	240/3	B56	1.00	61.9	16075	CL00A310T-S	151147	RTA1-G	1.00	1.50	151187
		125439	0.7	480/3	B56	1.00	61.9	16075	CL00A310T-U	151148	RTA1-F	0.65	1.10	151186
1/3	AL20	#906L	4.6	120/1	N48	1.00	68.5	115861	CL00A310T-J	151146	RTA1-L	4.00	6.30	151191
		C151	2.3	208/1	N48	1.00	67.2	159501	CL00A310T-L	151150	RTA1-J	1.90	2.70	151189
		C151	2.4	240/1	N48	1.00	67.2	159501	CL00A310T-S	151147	RTA1-J	1.90	2.70	151189
		H261	1.2	208/3	L48	1.15	—	105567	CL00A310T-L	151150	RTA1-G	1.00	1.50	151187
		H261	1.2	240/3	L48	1.15	—	105567	CL00A310T-S	151147	RTA1-G	1.00	1.50	151187
		H261	0.6	480/3	L48	1.15	—	105567	CL00A310T-U	151148	RTA1-D	0.40	0.65	151184
1/2	AL21	C613	7.2	120/1	J56	1.15	—	159184	CL00A310T-J	151146	RTA1-M	5.50	8.50	151192
		C613	3.5	208/1	J56	1.15	—	159184	CL00A310T-L	151150	RTA1-K	2.50	4.10	151190
		C613	3.6	240/1	J56	1.15	—	159184	CL00A310T-S	151147	RTA1-K	2.50	4.10	151190
		H274	2.3	208/3	H56	1.00	59.5	16077	CL00A310T-L	151150	RTA1-J	1.90	2.70	151189
		H274	2.0	240/3	H56	1.00	59.5	16077	CL00A310T-S	151147	RTA1-J	1.90	2.70	151189
		H274	1.0	480/3	H56	1.00	59.5	16077	CL00A310T-U	151148	RTA1-F	0.65	1.10	151186
		H276	0.7	575/3	J56	1.15	76.4	105568	CL00A310T-Y	151149	RTA1-F	0.65	0.90	151186
3/4	AL22	F353	11.0	120/1	F56	1.00	66.0	115860	CL01A310T-J	151151	RTA1-P	10.00	16.00	151194
		F353	5.4	208/1	F56	1.00	66.0	115860	CL00A310T-L	151150	RTA1-L	4.00	6.30	151191
		F353	5.5	240/1	F56	1.00	66.0	115860	CL00A310T-S	151147	RTA1-L	4.00	6.30	151191
		H580	2.0	208/3	KA56	1.00	73.5	20371	CL00A310T-L	151150	RTA1-J	1.90	2.70	151189
		H580	2.2	240/3	KA56	1.00	73.5	20371	CL00A310T-S	151147	RTA1-J	1.90	2.70	151189
		H580	1.1	480/3	KA56	1.00	73.5	20371	CL00A310T-U	151148	RTA1-G	1.00	1.50	151187
1	AL23	H461	0.8	575/3	L56	1.15	78.3	105569	CL00A310T-Y	151149	RTA1-F	0.65	1.10	151186
		159105	12.0	120/1	L56	1.15	74.3	174993	CL01A310T-J	151151	RTA1-P	10.00	16.00	151194
		159105	6.2	208/1	L56	1.15	74.3	174993	CL00A310T-S	151147	RTA1-M	5.50	8.50	151192
		159105	6.0	240/1	L56	1.15	74.3	174993	CL00A310T-S	151147	RTA1-M	5.50	8.50	151192
		H524	3.3	208/3	J56	1.00	74.4	16080	CL00A310T-L	151150	RTA1-K	2.50	4.10	151190
		H524	3.4	240/3	J56	1.00	74.4	16080	CL00A310T-S	151147	RTA1-K	2.50	4.10	151190
		H524	1.7	480/3	J56	1.00	74.4	16080	CL00A310T-U	151148	RTA1-H	1.30	1.90	151188
1.5	AL24	H525	1.4	575/3	H56	1.15	71.6	105570	CL00A310T-Y	151149	RTA1-G	1.00	1.50	151187
		C686	16.4	120/1	TK56H	—	—	94347	CL02A310T-J	151156	RTA1-S	14.50	18.00	151196
		C686	9.5	208/1	TK56H	—	—	94347	CL00A310T-L	151150	RTA1-N	8.00	12.00	151193
		C686	8.2	240/1	TK56H	—	—	94347	CL00A310T-S	151147	RTA1-N	8.00	12.00	151193
		H535	4.3	208/3	L56H	1.00	80.9	101286	CL00A310T-L	151150	RTA1-L	4.00	6.30	151191
		H535	4.4	240/3	L56H	1.00	80.9	101286	CL00A310T-S	151147	RTA1-L	4.00	6.30	151191
		H535	2.2	480/3	L56H	1.00	80.9	101286	CL00A310T-U	151148	RTA1-J	1.90	2.70	151189
E127	1.6	575/1	M145T	1.15	85.7	105665	CL00A310T-Y	151149	RTA1-H	1.30	1.90	151188		

Table 22. TEFC Motors by Motor Option and Starter

HP	Option	Motor							Starter (Option AN10)		Starter Overload			
		MFR's Model	Full Load Amps (FLA)	Voltage/Phase	Frame Size	Service Factor	Power Factor	PN	MFR's Model	PN	MFR's Model	Min Amps	Max Amps	PN
2	AL25	C687	24.0	120/1	F182T	1.00	76.4	105572	CL04A310M-J	151165	RTA1-U	21.00	26.00	151198
		L3516TM	8.3	240/1	56HZ	1.00	76.4	205881	CL01A310T-S	151152	RTA1-P	10.00	16.00	151194
		M3587T	6.3	208/3	145T	1.15	77.5	158165	CL00A310T-L	151150	RTA1-M	5.50	8.50	151192
		M3587T	5.8	240/3	145T	1.15	77.5	158165	CL00A310T-S	151147	RTA1-L	4.00	6.30	151191
		M3587T	2.9	480/3	145T	1.15	77.5	158165	CL00A310T-U	151148	RTA1-K	2.50	4.10	151190
3	AL26	M3587T-5	2.2	575/3	145T	1.15	77.5	158166	CL00A310T-Y	151149	RTA1-J	1.90	2.70	151189
		K222	30.0	120/1	F184T	1.00	88.0	111564	CL04A310M-J	151165	RTA1-V	25.00	32.00	151199
		K222	15.0	240/1	F184T	1.00	88.0	111564	CL02A310T-S	151157	RTA1-P	10.00	16.00	151194
		M3559T	7.9	208/3	145T	1.15	—	159330	CL00A310T-L	151150	RTA1-M	5.50	8.50	151192
		M3559T	7.2	240/3	145T	1.15	—	159330	CL00A310T-S	151147	RTA1-M	5.50	8.50	151192
		M3559T	3.6	480/3	145T	1.15	—	159330	CL00A310T-U	151148	RTA1-K	2.50	4.10	151190
5	AL27	M3660T-5	3.0	575/3	182T	1.15	—	158168	CL00A310T-Y	151149	RTA1-K	2.50	4.10	151190
		K223	20.2	240/1	F184T	1.00	90.8	111567	CL04A310M-S	151166	RTA1-T	17.50	22.00	1024078
		M3663T	12.8	208/3	184T	1.15	—	155048	CL01A310T-L	151155	RTA1-S	14.50	18.00	151196
		M3663T	11.8	240/3	184T	1.15	—	155048	CL01A310T-S	151152	RTA1-P	10.00	16.00	151194
		M3663T	5.9	480/3	184T	1.15	—	155048	CL00A310T-U	151148	RTA1-L	4.00	6.30	151191
		M3663T-5	4.8	575/3	184T	1.15	90.0	158170	CL00A310T-Y	151149	RTA1-L	4.00	6.30	151191

Table 23. EE-Type Motors by Motor Option and Starter

HP	Option	Motor							Starter (Option AN10)		Starter Overload			
		MFR's Model	Full Load Amps (FLA)	Voltage/Phase	Frame Size	Service Factor	Power Factor	PN	MFR's Model	PN	MFR's Model	Min Amps	Max Amps	PN
1	AL36	DHP0014	3.1	208/3	143T	1.15	83.5	159328	CL00A310T-L	151150	RTA1-K	2.50	4.10	151190
		DHP0014	2.8	240/3	143T	1.15	—	159328	CL00A310T-S	151147	RTA1-K	2.50	4.10	151190
		DHP0014	1.4	480/3	143T	1.15	—	159328	CL00A310T-U	151148	RTA1-G	1.00	1.50	151187
		E1006	1.1	575/3	N143T	1.15	—	158175	CL00A310T-Y	151149	RTA1-G	1.00	1.50	151187
1.5	AL37	E104	4.5	208/3	P145T	1.15	86.0	105662	CL00A310T-L	151150	RTA1-L	4.00	6.30	151191
		E1016	4.0	240/3	145T	1.15	—	159329	CL00A310T-S	151147	RTA1-K	2.50	4.10	151190
		E1016	2.0	480/3	145T	1.15	—	159329	CL00A310T-U	151148	RTA1-J	1.90	2.70	151189
		E1007	1.6	575/3	R145T	1.15	85.3	158162	CL00A310T-Y	151149	RTA1-H	1.30	1.90	151188
2	AL38	E105	6.1	208/3	P145T	1.15	86.8	105664	CL00A310T-L	151150	RTA1-L	4.00	6.30	151191
		E1017	5.6	240/3	145T	1.15	—	159027	CL00A310T-S	151147	RTA1-L	4.00	6.30	151191
		E1017	2.8	480/3	145T	1.15	—	159027	CL00A310T-U	151148	RTA1-K	2.50	4.10	151190
		E1008	2.1	575/3	P145T	1.15	86.0	158176	CL00A310T-Y	151149	RTA1-J	1.90	2.70	151189
3	AL39	35L405S489G3	8.3	208/3	145T	1.15	—	159186	CL00A310T-L	151150	RTA1-N	8.00	12.00	151193
		EM3158T	7.4	240/3	145T	—	—	159028	CL00A310T-S	151147	RTA1-M	5.50	8.50	151192
		EM3158T	3.7	480/3	145T	—	—	159028	CL00A310T-U	151148	RTA1-K	2.50	4.10	151190
		35L405S709G1	3.0	575/3	145T	1.15	—	159030	CL00A310T-Y	151149	RTA1-K	2.50	4.10	151190
5	AL40	E204	11.6	208/3	H182T	1.15	89.0	159029	CL02A310T-L	151159	RTA1-P	10.00	16.00	151194
		E204	11.6	240/3	H182T	1.15	89.0	159029	CL02A310T-S	151157	RTA1-P	10.00	16.00	151194
		E204	5.8	480/3	H182T	1.15	89.0	159029	CL00A310T-U	151148	RTA1-M	5.50	8.50	151192
		M3613T-5	4.8	575/3	184T	1.15	—	111602	CL00A310T-Y	151149	RTA1-L	4.00	6.30	151191

BLOWER MOTORS, STARTERS, AND VARIABLE FREQUENCY DRIVES—CONTINUED

Table 24. Two-Speed Blower Motor and Starter Data								
Motor Data						IEC Starter Data		
Rated HP	Century Model	Frame Size	Maximum Motor Amp Draw (rpm)		Voltage/Phase	PN	Manufacturer's Model	PN
			1800	1200				
1.00/0.44	M124	M145T	3.8	2.4	208/3	105641	AEG2SP-S17-C-I-H-O	114971
			3.4	2.2	240/3			
	M109		1.7	1.1	480/3	105642	AEG2SP-S17-E-G-F-O	114972
1.50/0.68	M125	N145T	5.4	3.1	208/3	105643	AEG2SP-S17-C-K-I-O	114973
			4.9	2.8	240/3			
	M104		2.4	1.4	480/3	105644	AEG2SP-S17-E-H-G-O	114974
2.00/0.88	M220	S182T	6.5	4.2	208/3	105645	AEG2SP-S17-C-L-K-O	114975
			5.9	3.8	240/3			
	M207		3.4	2.1	480/3	105646	AEG2SP-S17-E-I-H-O	114977
3.00/1.30	M221	S184T	9.3	5.3	208/3	105647	AEG2SP-S17-C-M-K-O	114978
			8.4	4.8	240/3			
	M208		4.6	2.6	480/3	105648	AEG2SP-S17-E-K-H-O	114979
5.00/2.20	M320	S215T	17.2	11.3	208/3	105870	AEG2SP-S17-C-O-M-O	114980
			15.5	10.2	240/3			
	M305		7.1	4.8	480/3	105871	AEG2SP-S17-E-L-K-O	114981

Table 25. Terminal Cross-Reference for Replacement IEC Starters			
Terminal Type	Speed	NEMA	IEC
Starter wire	High	D	2T1
		F	6T3
		E	4T2
	Low	A	2T1
		C	6T3
		B	4T2
Relay/starter coil	—	9	95
			96

Table 26. Replacement Holding Coils for IEC Starters			
For Use with GE Starter Model Numbers Beginning with:	Holding Coil PN	Voltage	GE Model
CL00, CL01, CL02, CL25	151280	24	LB1A-C
CL00, CL01, CL02, CL25	151281	120	LB1A-J
CL00, CL01, CL02, CL25	151282	208	LB1A-L
CL00, CL01, CL02, CL25	151283	230	LB1A-S
CL00, CL01, CL02, CL25	151284	460	LB1A-U
CL00, CL01, CL02, CL25	151285	575	LB1A-Y
CL04, CL45	151286	24	LB3A-C
CL04, CL45	151287	120	LB3A-J
CL04, CL45	151288	208	LB3A-L
CL04, CL45	151289	230	LB3A-S
CL04, CL45	151290	460	LB3A-U
CL04, CL45	151291	575	LB3A-Y
CL06, CL07, CL08, CL09	151292	208	LB4A-L
CL06, CL07, CL08, CL09	151293	230	LB4A-S
CL06, CL07, CL08, CL09	151294	460	LB4A-U

DRIVE COMPONENTS

NOTES:

- Components may have changed. If shaft size is different than what is listed or if there are no parts listed, check the replacement parts tag and/or contact the distributor or factory service for replacement parts.
- Be sure to check belt tension. Proper belt tension is important to the long life of the belt and motor. A loose belt will cause wear and slippage. Too much tension will cause excessive motor and blower bearing wear. If adjustment is required, adjust belt tension with the adjusting screw on the motor base until the belt can be depressed 1/2 to 3/4 inch. Tighten the locknut on the adjusting screw. Ensure that the belt is aligned in the pulleys.

Table 27. Range (rpm) by Drive Option

Drive Option	Range (rpm)	Drive Option	Range (rpm)	Drive Option	Range (rpm)
AM2	451–500	AM9	801–850	AM16	1151–1200
AM3	501–550	AM10	851–900	AM17	1201–1250
AM4	551–600	AM11	901–950	AM18	1251–1300
AM5	601–650	AM12	951–1000	AM19	1301–1350
AM6	651–700	AM13	1001–1050	AM20	1351–1400
AM7	701–750	AM14	1051–1100	AM21	1401–1450
AM8	751–800	AM15	1101–1150	AM22	1451–1500

Table 28. Drive Components

Unit Size	Motor HP	Drive Option (Refer to Table 27)	Motor Pulley			Blower Pulley			Belt			
			Bore Size (Inches)	MFR's Model	PN	Bore Size (Inches)	MFR's Model	PN	MFR's Model	PN		
075, 100, 125	1/4, 1/3	AM2, AM3	3/4	AL84	116396	1/2	1VL34	4074	4L420	6183		
		AM4		AL74	116395				4L400	7948		
		AM5, AM6, AM7		AL64	116394				4L390	7949		
		AM8, AM9, AM10, AM11, AM12, AM13		AL54	116393				4L370	10960		
	1/2, 3/4, 1, 1-1/2, 2	AM5, AM6, AM7, AM8, AM9, AM10	3/4	AL64	116394	5/8	1VM50	13013	4L400	7948		
		AM11, AM12, AM13		AL74	116395				A45	50472		
		AM14, AM15, AM16		AL64	116394				A43	50470		
		AM17, AM18, AM19, AM20, AM21		AL54	116393				A41	50500		
150, 175, 200, 225	1/4 and 1/3	AM2, AM3	1	AL84	116400	1/2	1VL34	4074	4L450	6185		
		AM4, AM5		AL74	116399				4L430	3938		
		AM6, AM7, AM8, AM9							1VL40	13491	4L440	6184
150, 175, 200, 225, 350, 400	1/2, 3/4, 1, 1-1/2, 2	AM2	1	AL204	116402	5/8	1VL40	7962	A48	65403		
		AM3, AM4		AL94	116401				4L450	3185		
		AM5		AL104	116402				1VM50	13013	4L510	12365
		AM6, AM7		AL74	116399				1VL40	7962	4L440	3184
		AM8		AL94	116401				1VM50	13013	A47	50474
		AM9, AM10		AL64	116398				1VL40	7962	4L430	3938
		AM11, AM12, AM13									4L430	3938
		AM12		AL74	116399							
		AM13, AM14, AM15, AM16		AL64	116398				1VM50	13013	A47	50474
		AM17, AM18, AM19, AM20, AM21		AL54	116397						A44	52966
	3	AM13, AM14, AM15, AM16, AM17, AM18, AM19, AM20, AM21	1	AL114	116403	7/8	1VM50	37451	A51	65404		
	5	AM13	1	AL124	116404	7/8	1VM50	37451	A52	50513		
	250, 300	1/2, 3/4, 1, 1-1/2, 2	AM3	1	AL74	116399	5/8	1VL34	13580	4L440	6184	
			AM4, AM5		AL84	116400				4L430	3938	
AM6, AM7			AL74		116399	4L410				6182		
AM8, AM9, AM10			AL84		116400	4L450				6185		
AM11, AM12, AM13			AL74		116399	A45				50472		
AM14, AM15, AM16			AL64		116398	A3				50470		
AM17, AM18, AM19, AM20, AM21			AL54		116397	A41				50500		
3			AM13, AM14, AM15, AM16, AM17, AM18, AM19		1	AL114				116403	7/8	1VM50

ACCESSORIES/OPTIONS

Outside Air Hood, Dampers, and Inlet Air Controls

NOTE: When replacing Honeywell damper motor (PN 53928), which is no longer available from the manufacturer, it is necessary to replace the crank arm. Order the Honeywell #221455A (PN 116209) to use with replacement motor PN 115681. If the unit has both outside and return air dampers, order the replacement motor, the new crank arm, a 12-inch return air damper rod (PN 11561), and a damper arm support plate (PN 115687).

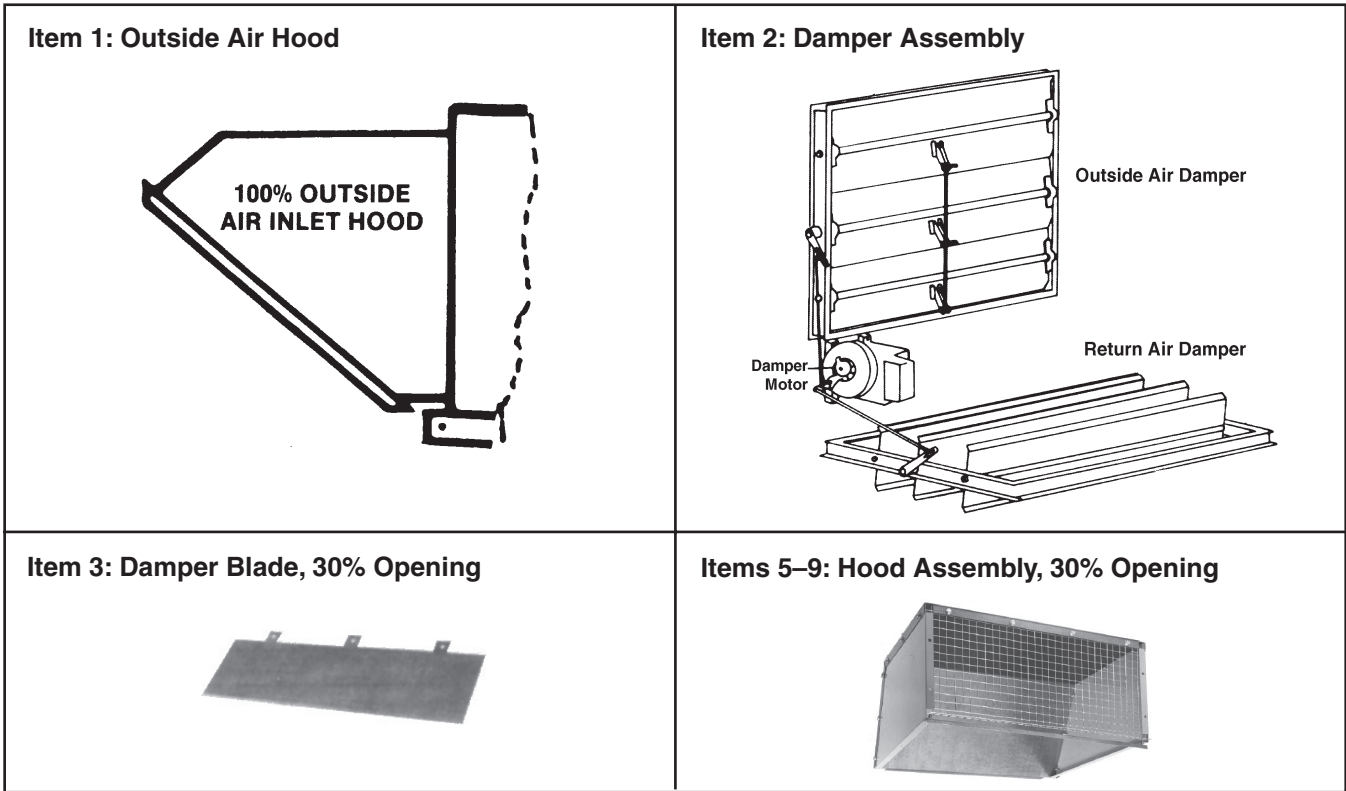


Figure 13. Outside Air Hood, Damper, and Inlet Air Components (Refer to Table 29)

Table 29. Outside Air Hood, Damper, and Inlet Air Components								
Item No.	Component	Description	Unit Size					
			075, 100, 125	150, 175	200, 225	250, 300	350	400
			PN					
1	Air hood	Outside air (OA), option AS2	12077	12400	11543	12416	12031	11590
2	Assembly	Damper, 100% opening	105421	105422	105423	105424	105425	105426
3	Damper blade	Single, 30% opening	37710	37711	37712	37713	37714	37715
4	Support frame	30% OA motorized damper	37610	37611	37612	37613	37614	37615
5	Air inlet shield	Top, 30% OA manual damper	12392	12293	11378	12119	12359	11387
		Top, 30% OA motorized damper	37655	37656	37657	37658	37659	37660
6	Air inlet shield	Right end, 30% OA	11380	11380	11380	11380	11380	11380
		Left end, 30% OA	11379	11379	11379	11379	11379	11379
7	Air inlet shield screen	30% OA manual damper	12394	11755	11382	12121	12361	11389
		30% OA motorized damper	37634	37635	37636	37637	37638	37639
8	Air inlet shield screen retaining angle	30% OA manual damper	12395	12343	11383	12122	12362	11390
		30% OA motorized damper	37648	37649	37650	37651	37652	37653
9	Screen clamp angle	30% OA manual damper	20253	20254	20255	20256	20257	20258
		30% OA motorized damper	37641	37642	37643	37644	37645	37646

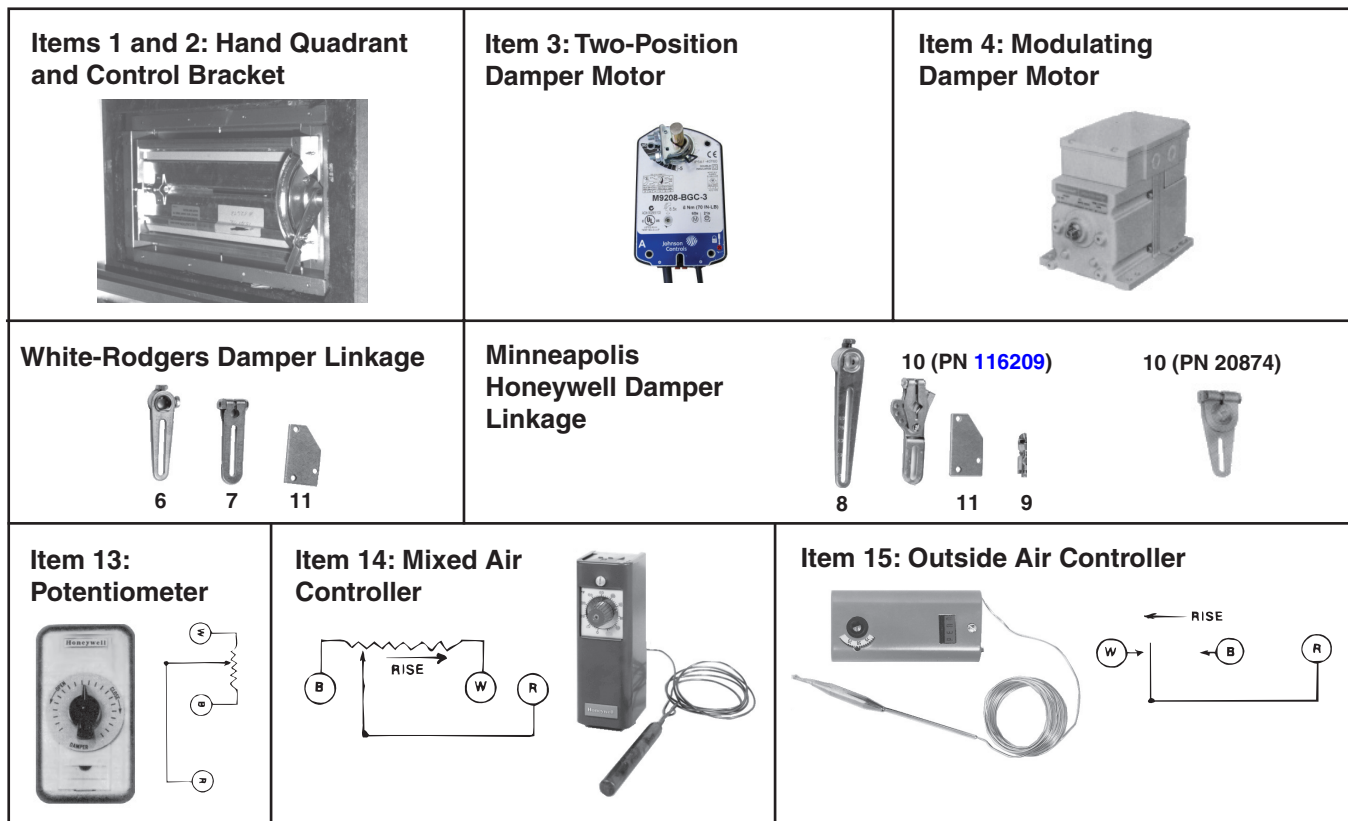


Figure 14. Damper Controls (Refer to Table 30)

Table 30. Damper Controls				
Item No.	Component	Description	PN	AR Option
1	Hand quadrant	#14004728-001	103502	AR6, AR11
2	Control bracket	Manual damper	143182	
3	Damper motor	Two-position, replacement kit for PNs 6626 and 97385	209423	AR7, AR8, AR14, AR17
4		Modulating, without end switch, replaces PN 53928 (#M9175A1051)	115681	AR9, AR12, AR13, AR15, AR16, AR18
	Modulating, with two end switches, replaces PN 96767 (#M9175D1014)	115682		
5	Damper rod	1/4 x 12 inches long	11561	AR14
		1/4 x 18 inches long	11560	AR12, AR13, AR15, AR16
6	Damper rod arm	White-Rogers #135-0007	66278	AR7
7	Crank arm	White-Rogers #135-0002	66277	AR7, AR14, AR17
		White-Rogers #135-0003	112553	AR8, AR14, AR17
8	Damper arm	M/H #2026S	12635*	AR8, AR9, AR11, AR12, AR13, AR14, AR15, AR16, AR17, AR18
9	Ball and socket	M/H #27518	12636**	AR7, AR8, AR9, AR11, AR12, AR13, AR14, AR15, AR16, AR17, AR18
10	Crank arm	With clip, used with PNs 53928, 87059, and 96767 (M/H #7616BR)	20874	AR9, AR12, AR13, AR15, AR16, AR18
		Used with PNs 115682, 115683 , and 115681 (M/H #221455A)	116209	
11	Support plate	Damper arm	14225	AR11, AR14, AR17
12	Support assembly	Damper motor	100315	AR7, AR8, AR9, AR12, AR13, AR14, AR15, AR16, AR17, AR18
13	Potentiometer	M/H #112894FA	16110	AR13, AR15, AR18
14	Mixed air control	M/H #T991A-1004	16109	AR12, AR13, AR15, AR16
15	Controller	Outdoor air, replaces 16108 (J/C #A19AAF-120)	126170	AR14, AR15, AR16
15A	Clamp	Grommet	39224	
16	Adjustment plate	Damper arm	115687	AR12, AR13, AR15, AR16, AR18
17	End switch	Auxiliary, M/H damper motor (#Q607B1067)	113963	—
18	Auxiliary switch kit	Includes two switches, M/H #220736B	145881	

*Quantity = one (1) for options AR8, AR9, AR14, and AR17 or two (2) for options AR11, AR12, AR13, AR15, AR16, and AR18

**Quantity = one (1) for option AR7, two (2) for options AR8 and AR9, or four (4) for options AR11, AR12, AR13, AR14, AR15, AR16, AR17, and AR18.

ACCESSORIES/OPTIONS—CONTINUED

Downturn Plenum Cabinet—Outdoor Model RXE

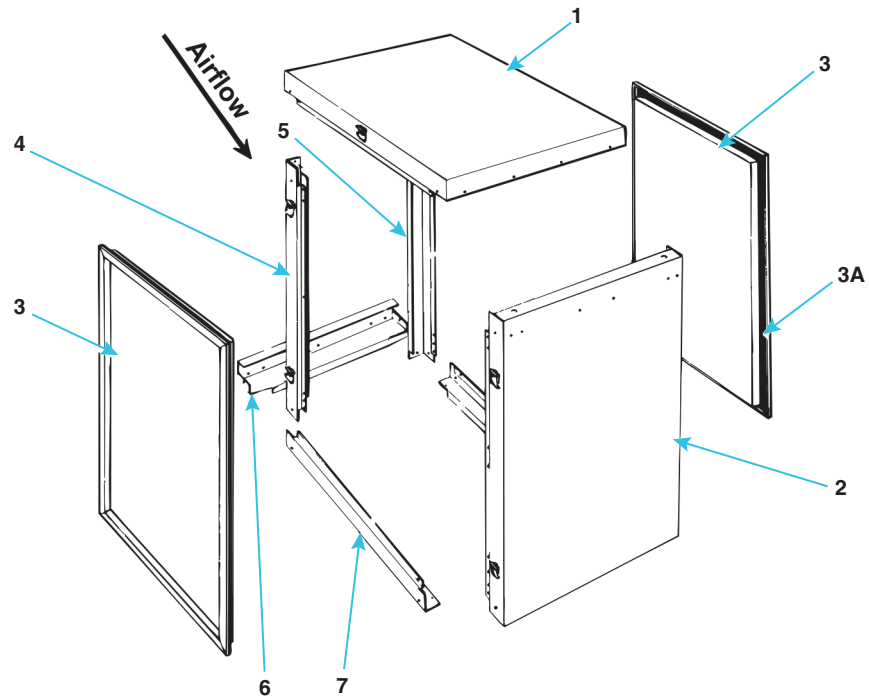


Figure 15. Downturn Plenum Cabinet (Refer to Table 31)

Table 31. Downturn Plenum Cabinet Components								
Item No.	Component	Description	Unit Size					
			075, 100, 125	150, 175	200, 225	250, 300	350	400
			PN (Quantity)*					
—	Downturn cabinet	Assembly	17046	17055	17063	17066	17120	17123
1		Top	12302	12305	11800	12311	12317	11805
2	Panel	End, with insulation	15322		15324	15325	15326	15327
3		Side, with insulation	20639 (2)		20666 (2)		20666 (2)	
3A	Gasket	Door panel gasket	82442		82443		82443	
4	Support	Left corner	11517		11210		11210	
5		Right corner	11518		11211		11211	
6	Bottom section	Rear cabinet	11521	11528	11535	11563	11573	11582
7	Side section	Bottom left and right	11512					

*Quantity is one (1) unless otherwise indicated.

Optional Louver Parts—Indoor Model XE

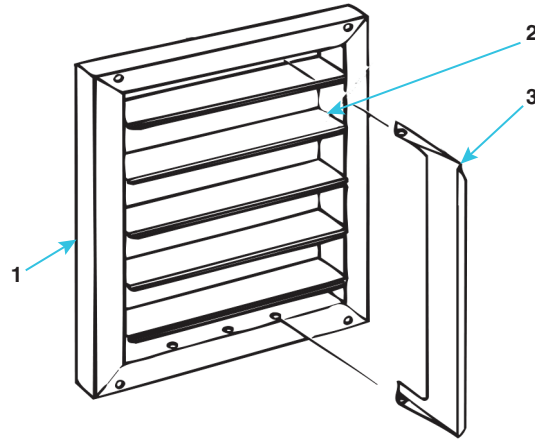


Figure 16. Optional Louver Parts (Refer to Table 32)

Table 32. Optional Louver Parts									
Item No.	Component	Description	Unit Size						
			075, 100	125	150, 175	200, 225	250, 300	350	400
			PN (Quantity)*						
1	Louver frame	With horizontal louvers	39711	10018	10016	10014	10012	10010	10001
2	Louver	Horizontal	9923 (5)	9887 (5)	9847 (5)	9808 (5)	9679 (10)	9733 (10)	9553 (10)
3		Vertical	9554 (3)	9554 (4)	9554 (6)	9554 (8)	9554 (10)	9554 (12)	9554 (14)

*Quantity is one (1) unless otherwise indicated.

Condensate Drain Kit (Option CS1)

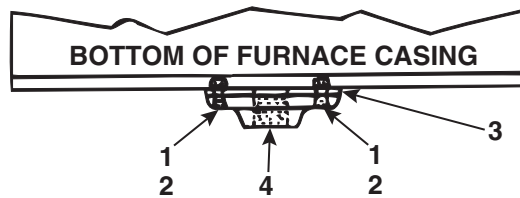


Figure 17. Condensate Drain Kit (Refer to Table 33)

Table 33. Condensate Drain Kit Components				
Item No.	Component	Description	PN	Quantity
—	Option package		31765	—
1	Bolt	#10-1-1/4	—	2
2	Nut	#10	—	2
3	Gasket		—	1
4	Pipe waste nut	3/4-inch	—	1

