

REPLACEMENT PARTS FOR GAS-FIRED RADIANT HEATERS

MODELS VCS, VCT, VPS, AND VPT



TABLE OF CONTENTS

REFERENCES	1
SERIAL NUMBER	2
MODEL APPLICATION	2
STANDARD ASSEMBLIES	3
REPLACEMENT PARTS	4
ACCESSORIES/OPTIONS	5

IMPORTANT

1. Always include complete model and serial number so that any specification change can be considered for parts replacement. It can save time and expense.
2. In keeping with our policy of continuous product improvement, we reserve the right to alter any information shown here. Specifications are subject to change without notice.
3. We reserve the right to substitute functional replacements.
4. Order by Part Number (PN) not by option designation.

REFERENCES

Table 1. Related Technical Manuals Available from Factory Distributor

Type	Form	PN*
Installation, operation, and maintenance	VCS-VCT-VPS-VPT-IOM	1042552
Hanger kit installation	VCS-VCT-VPS-VPT-CK11-CK31	D270722
Turnbuckle kit installation	VCS-VCT-VPS-VPT-CK12-CK40	270712
Combustion air inlet kit installation	VCS-VCT-VPS-VPT-DE1-DE2	270688
Wind and rain hood installation	VCS-VCT-DE5	270689
High-elevation kit installation	VCS-VCT-VPS-VPT-DJ20	270687
Gas conversion kit installation	VCS-VCT-VPS-VPT-GC	1042554

*Also available at www.reznorhvac.com.

SERIAL NUMBER

NOTE: The serial number is located on the unit's rating plate.

Serial number format changed in June of 2015. Use the following information to decode system serial numbers:

Decoding a System Serial Number for ALL Models *Before* JUN 2015

Serial number sample: BAA 66 H5 N 000000
 Elements key number: 1 | 2 | 3 | 4 | 5

Key:

- 1 = Date of manufacture (refer to [Table 2](#))
- 2 = Type of pilot system
- 3 = Type of gas valve
- 4 = Type of gas (N = natural, L = propane)
- 5 = Consecutive number (identification only)

Decoding a System Serial Number for ALL Models *After* MAY 2015

Serial number sample: BOG 3062 00000
 Elements key number: 1 | 2 | 3

Key:

- 1 = Date code (refer to [Table 2](#))
- 2 = Plant of manufacture (3062 = Monterrey)
- 3 = Consecutive number

Table 2. Serial Number Date Codes (Month and Year)

Year	Month											
	JAN	FEB	MAR	APR	MAY	JUN	JUL	AUG	SEP	OCT	NOV	DEC
2013	BMA	BMB	BMC	BMD	BME	BMF	BMG	BMH	BMI	BMJ	BMK	BML
2014	BNA	BNB	BNC	BND	BNE	BNF	BNG	BNH	BNI	BNJ	BNK	BNL
2015	BOA	BOB	BOC	BOD	BOE	BOF	BOG	BOH	BOI	BOJ	BOK	BOL
2016	BPA	BPB	BPC	BPD	BPE	BPF	BPG	BPH	BPI	BPJ	BPK	BPL
2017	BQA	BQB	BQC	BQD	BQE	BQF	BQG	BQH	BQI	BQJ	BQK	BQL
2018	BRA	BRB	BRC	BRD	BRE	BRF	BRG	BRH	BRI	BRJ	BRK	BRL
2019	BSA	BSB	BSC	BSD	BSE	BSF	BSG	BSH	BSI	BSJ	BSK	BSL
2020	BTA	BTB	BTC	BTD	BTE	BTF	BTG	BTH	BTI	BTJ	BTK	BTL
2021	BUA	BUB	BUC	BUD	BUE	BUF	BUG	BUH	BUI	BUJ	BUK	BUL
2022	BVA	BVB	BVC	BVD	BVE	BVF	BVG	BVH	BVI	BVJ	BVK	BVL
2023	BWA	BWB	BWC	BWD	BWE	BWF	BWG	BWH	BWI	BWJ	BWK	BWL
2024	BXA	BXB	BXC	BXD	BXE	BXF	BXG	BXH	BXI	BXJ	BXK	BXL
2025	BYA	BYB	BYC	BYD	BYE	BYF	BYG	BYH	BYI	BYJ	BYK	BYL
2026	BZA	BZB	BZC	BZD	BZE	BZF	BZG	BZH	BZI	BZJ	BZK	BZL
2027	CAA	CAB	CAC	CAD	CAE	CAF	CAG	CAH	CAI	CAJ	CAK	CAL
2028	CBA	CBB	CBC	CBD	CBE	CBF	CBG	CBH	CBI	CBJ	CBK	CBL
2029	CCA	CCB	CCC	CCD	CCE	CCF	CCG	CCH	CCI	CCJ	CCK	CCL
2030	CDA	CDB	CDC	CDD	CDE	CDF	CDG	CDH	CDI	CDJ	CDK	CDL
2031	CEA	CEB	CEC	CED	CEE	CEF	CEG	CEH	CEI	CEJ	CEK	CEL
2032	CFA	CFB	CFC	CFD	CFE	CFF	CFG	CFH	CFI	CFJ	CFK	CFL
2033	CGA	CGB	CGC	CGD	CGE	CGF	CGG	CGH	CGI	CGJ	CGK	CGL
2034	CHA	CHB	CHC	CHD	CHE	CHF	CHG	CHH	CHI	CHJ	CHK	CHL
2035	CIA	CIB	CIC	CID	CIE	CIF	CIG	CIH	CII	CIJ	CIK	CIL

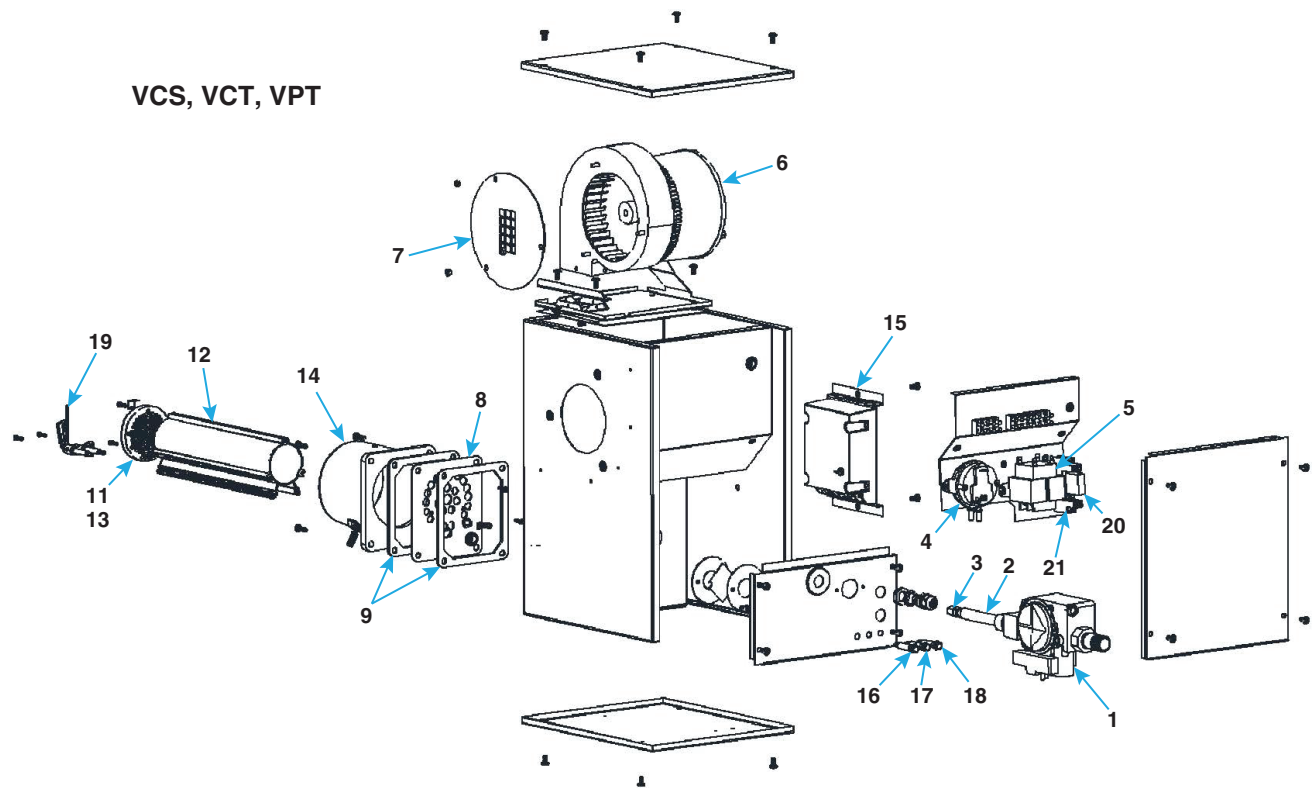
MODEL APPLICATION

Table 3. Model Application

Model	Application	Model	Application
VCS	Harsh environment, indoor/outdoor	VPS	Indoor commercial/industrial
VCT		VPT	

STANDARD ASSEMBLIES

VCS, VCT, VPT



VPS

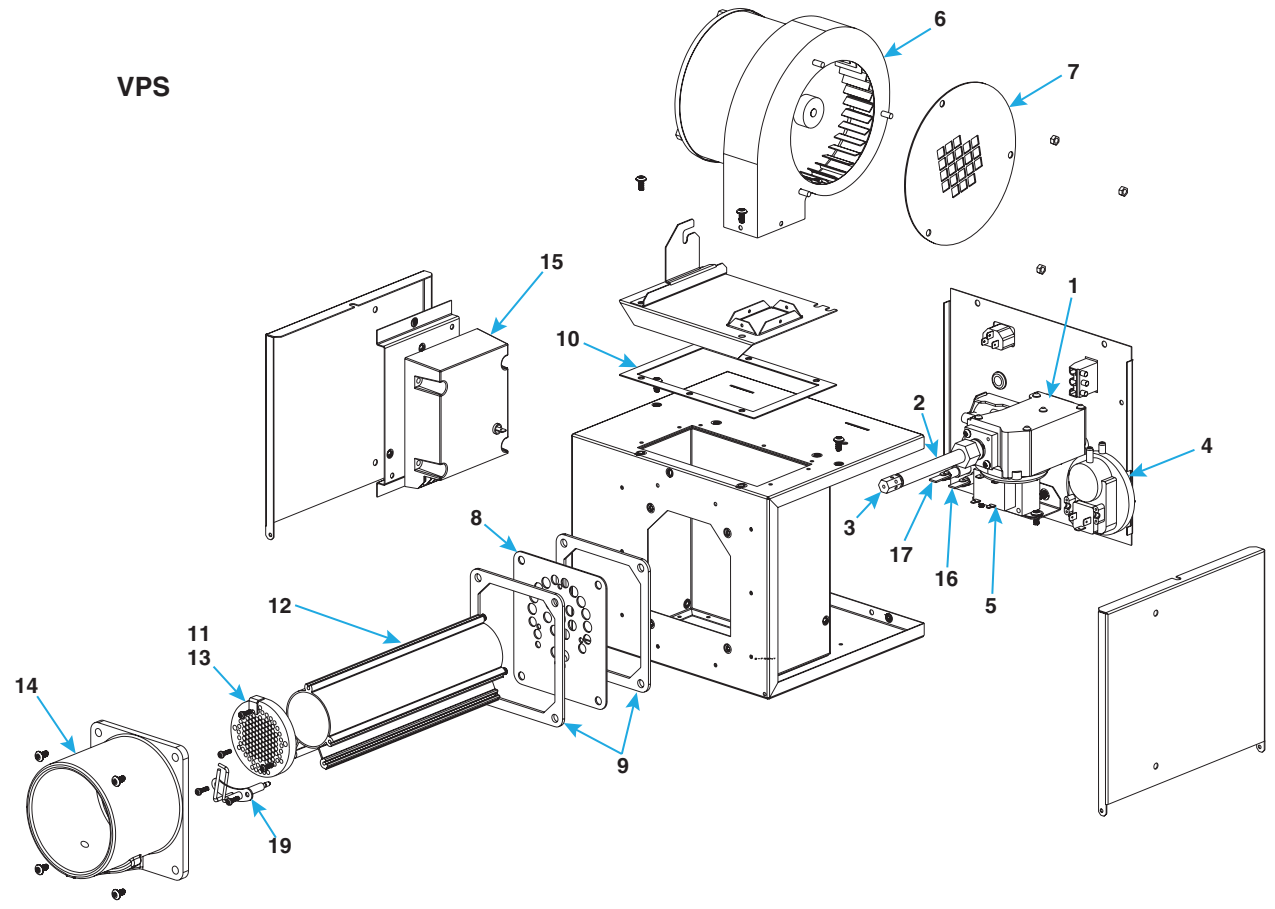


Figure 1. Standard Assemblies (Refer to Table 4)

REPLACEMENT PARTS

Table 4. Replacement Parts									
Item No.*	Component	Description	Unit Size						Model
			060	080	100	125	150	170	
PN									
1	Gas valve	Natural gas	270378						VCS, VPS
			270373						VCT, VPT
		Propane	270496						VCS, VPS
			270498						VCT, VPT
2	Injector carrier	Natural gas	270375				270376		All
		Propane					270375	—	
3	Injector	Natural gas	270400	270402	270403	270405	270407	270409	270410
		Propane	270398	270399		270400	270401	270403	—
4	Pressure switch	Natural gas	270389						270390
		Propane							—
4A	Silicone tube assembly	Pressure switch	270539						VCS, VCT, VPT
			270540						VPS
			270541						
			270542						
5	Transformer	175265						VCS, VPS	
		194808						VCT, VPT	
6	Fan	Natural gas	270464				270467		VCS, VCT, VPT
		Propane					270467	—	
		Natural gas	270476				270475		VPS
		Propane					270475	—	
7	Fan orifice plate	Natural gas	269922	269925	269930	269931	266935	269938	
		Propane	269924	269925	269929	269931	269933	269937	—
8	Burner orifice plate	Natural gas	269941	269942	269943	269944	1005513 269946		
		Propane	269948	269949	269950	269951	269952	269953	—
9	Gasket	Burner assembly	270366						All
10		Fan flange plate	270365						VPS
11	Flame plate	Propane	269957	269958	269959		269960	—	
12	Tube	Burner	270424						All
13	Head		270425						
14	Support casting	Burner	270565						VCS, VCT, VPT
			270487						VPS
14A	Setscrew	Burner support casting	270456						VCS, VCT, VPT
			270421						VPS
15	Controller	Ignition	204955						All
16		POWER ON, red	270466						VCS, VCT
			270474						VPS, VPT
17	LED	BURNER ON, yellow	270465						VCS, VCT
		BURNER ON, amber	270473						VPS
18		LOW FIRE, amber	270473						VPT
		HIGH FIRE, yellow	270465						VCT
		HIGH FIRE, amber	270473						VPT
19	Igniter	Assembly	270441						All
20	Relay	24V	270472						VCT
21	Socket	Relay	270463						
—	Bracket	Suspension	270130						VCS, VCT
			270126						VPS, VPT
		Reflector	270570						VCS, VCT
			270569						VPS, VPT
	Strap	Tube	270571						VCS, VCT
			270572						VPS, VPT
	Tube coupler	4-inch	270125						VCS, VCT
			205546						VPS, VPT

*Refer to [Figure 1](#).

Item No.*	Component	Description	Unit Size						Model	
			060	080	100	125	150	170		200
			PN							
—	Burner insert	3-foot	1005500						All	
		5-foot	270489							
	Reflector	10-foot, AL	270109							
		5-foot, AL	270110							
		10-foot, SST	270113							
		5-foot, SST	270114							
		LH corner, AL	270111							
		RH corner, AL	270112							
		LH corner, SST	270115							
		RH corner, SST	270116							
	Emitter tube	10-foot, steel	120003							
		5-foot, steel	270118							
		10-foot, calcoat	270117							
	U-bend	Emitter tube, steel	270121							
	L-bend		270122							
	Turbulator		116019							
	Power cord		270680							

*Refer to [Figure 1](#).

ACCESSORIES/OPTIONS

Hanger Kits (Options CK11 and CK31)

NOTE: Refer to the hanger kit installation manual listed in [Table 1](#) for kit components and installation instructions.

Option	PN
CK11	270725
CK31	270717

Turnbuckle Kits (Options CK12–CK40)

NOTE: Refer to the turnbuckle kit installation manual listed in [Table 1](#) for kit components and installation instructions.

VPS and VPT Models				VCS and VCT Models			
Straight Tube		L-Tube or U-Tube		Straight Tube		L-Tube or U-Tube	
Option	PN	Option	PN	Option	PN	Option	PN
CK12	270697	CK13	270698	CK32	270704	CK33	270705
CK13	270698	CK14	270699	CK33	270705	CK34	270706
CK14	270699	CK15	270700	CK34	270706	CK35	270707
CK15	270700	CK16	270701	CK35	270707	CK36	270708
CK16	270701	CK17	270702	CK36	270708	CK37	270709
CK17	270702	CK18	270703	CK37	270709	CK38	270710
CK18	270703	CK28	270733	CK38	270710	CK39	270735
CK28	270733	CK29	270734	CK39	270735	CK40	270736

ACCESSORIES/OPTIONS—CONTINUED

Combustion Air Inlet Kits (Options DE1 and DE2)

NOTE: Refer to the combustion air inlet kit installation manual listed in [Table 1](#) for kit components and installation instructions.

Table 7. Combustion Air Inlet Kits	
Option	PN
DE1	270613
DE2	270614

Wind and Rain Hood Kit (Option DE5)

NOTE: The wind and rain hood kit (PN [270615](#)) is for models VCS and VCT. Refer to the wind and rain hood installation manual listed in [Table 1](#) for kit components and installation instructions.

High-Elevation Conversion Kits (Option DJ20)

NOTE: Refer to the high-elevation conversion kit installation manual listed in [Table 1](#) for kit components and installation instructions.

Table 8. High-Elevation Conversion Kits							
Unit Size							
060	080	100	125	150	170	200	
Kit PN							
1001370	1001371	1001372	1001373	1001374	1001419*	1001375**	1001376
*For use with size 170 model VPS and VCS generation ZZ units—derates burner to 150,000 kBTU.							
**For use with size 170 model VCS, VPS, and VPT generation BB units and size 170 model VCT and VPT generation ZZ units.							

Horizontal Vent Caps



Figure 2. Horizontal Vent Cap

Table 9. Horizontal Vent Caps	
PN	Size (Inches)
111848	4
111850	6

Gas Conversion Kits

NOTE: Refer to the gas conversion kit installation manual listed in [Table 1](#) for kit components and installation instructions.

Unit Size							
060	080	100	125	150	170	200	
Kit PN							
1001412	1001413	1001414	1001415	1001416	1001417*	1001418**	—***
*For use with size 170 model VPS and VCS generation ZZ units—converts burner to size 150 generation BB.							
**For use with size 170 model VCT and VPT generation ZZ units and all generation BB units at installation elevations of units 0–2,000 feet.							
***Conversion kit is not available for unit size 200.							

Manual Shutoff Valve



Figure 3. Manual Shutoff Valve Assembly

Component	Description	Unit Size	
		030–200	225–400
		PN	
Shutoff valve assembly	Includes ball valve and union	15971	15972
Ball valve	1/2-inch	196910	—
	3/4-inch	—	196911
Union	1/2-inch	1224	—
	3/4-inch	—	1101



Specifications and illustrations subject to change without notice or incurring obligations.
Latest version of this manual is available at www.reznorhvac.com.
©2023 Nortek Global HVAC LLC, O'Fallon, MO. All rights reserved.
VCS-VCT-VPS-VPT-RPL (03-23) 1042553-0

