



NOTICE:

The information contained on the following page(s) was produced prior to May 1, 2014. On that date Reznor became part of Nortek, Inc.

References to any other company affiliations are no longer valid.



Instructions for Installation Side Shield, Options CD13-CD20

Applies to: **Model VR Tubular Infrared Heaters**

Description and Application

Optional side shields are pieces of reflector material that can be “hung” along **one side** of the tubular system. A side shield measures 60-3/4” (154cm) long x 10-15/16” (28cm) high and comes with an additional tube bracket and wire retainer. Each Option CD13-20 side shield kit has the components needed to extend the full length listed in the table with a 3/4” overlap. However, if only part of the tubular system requires a side shield, kits may be selected by length to adapt to the installation. If the system includes any 5-ft tubes, an Option CD19 kit with only one shield is available for each 5-ft tube.

NOTE: The maximum reflector angle of a heater with a side shield is 30°. When the reflector is angled, the side shield must only be hung along the lower side of the reflector. Do not hang a side shield from the higher side.

Components

Option	CD19		CD13		CD14		CD15		CD16		CD17		CD18		CD20	
Length	5 ft		10 ft		20 ft		30 ft		40 ft		50 ft		60 ft		70 ft	
Kit P/N	205738		205732		205733		205734		205735		205736		205737		205739	
Components	Qty	P/N	Qty	P/N	Qty	P/N	Qty	P/N	Qty	P/N	Qty	P/N	Qty	P/N	Qty	P/N
Side Shield	1	268227	2	268227	4	268227	6	268227	8	268227	10	268227	12	268227	14	268227
Wire Reflector Retainer, Tube Bracket, and U-Bolt (See FIGURE 2.)																
Wire Reflector Retainer	1	209321	2	209321	4	209321	6	209321	8	209321	10	209321	12	209321	14	209321
Reflector Bracket	1	205586	2	205586	4	205586	6	205586	8	205586	10	205586	12	205586	14	205586
U-Bolt with brass nuts (shipped in parts bag below)	1	131785	2	131785	4	131785	6	131785	8	131785	10	131785	12	131785	14	131785
Side Shield Hardware Bag																
Pushnut, TRW #250015	4	125848	4	125848	8	125848	12	125848	16	125848	20	125848	24	125848	28	125848
Clip-on spring steel Receptacle Nut	2	196336	2	196336	4	196336	6	196336	8	196336	10	196336	12	196336	14	196336
#10x1/2" long Sheetmetal Screw (for clip-on nut)	2	11813	2	11813	4	11813	6	11813	8	11813	10	11813	12	11813	14	11813

WARNING

The side shield kit is to be selected and installed by a qualified service person in accordance with these instructions and in compliance with all codes and requirements of authorities having jurisdiction. The qualified agency performing this work assumes responsibility for this installation.

Installation Instructions

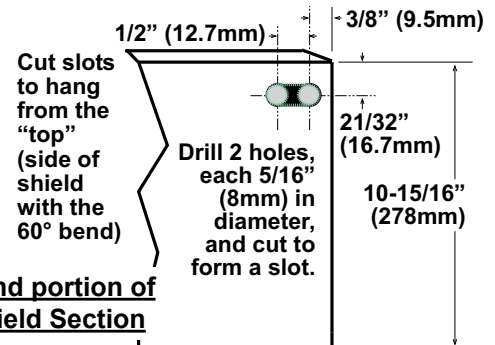
Side shield hanger slots must be matched to the system and drilled and cut in the field. All sections require a hanger slot at each end in the location shown in **FIGURE 1**. Because system suspension dimensions may vary, an additional slot will probably be required in most sections.

NOTE: If side shields have a protective covering, remove before installing.

- 1) Side shield sections are designed to be installed with a 3/4” (19mm) overlap. Cut “hanger slots” as shown in **FIGURE 1**. The edge of the shield with the 60° bend will be at the top. Measure down 21/32” (16.7mm) from the 60° bend line. From the end of the shield, measure in 3/8” (9.5mm) and mark. Measure again, 7/8” (22.2mm) from the end and mark. At each mark, drill a 5/16” (8mm) diameter hole. Cut out the material between the two holes to form a slot. Repeat on the opposite end of the shield.

FIGURE 1 - Drill two holes and cut a slot in each end of the first side shield section.

IMPORTANT: Install side shield on one side of the system only. If reflector is angled, do not hang side shield from the higher side.



View of end portion of a Side Shield Section

Installation Instructions (cont'd)

FIGURE 2 - Wire Retainer and Tube Bracket with "U" bolt and nuts

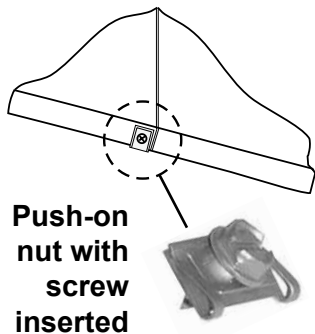
NOTE: Suspension is not required at any of the additional wire retainers installed to support side shields.

FIGURE 3 - Bottom View with Tube Bracket and Wire Retainer Installed (reflectors are not illustrated)

FIGURE 4 - Secure side shield ends to wire hanger with round push-on clip.

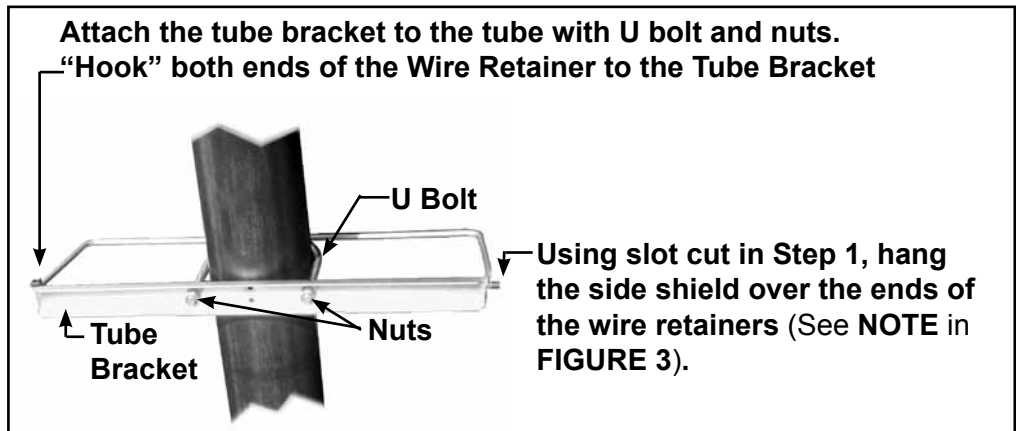
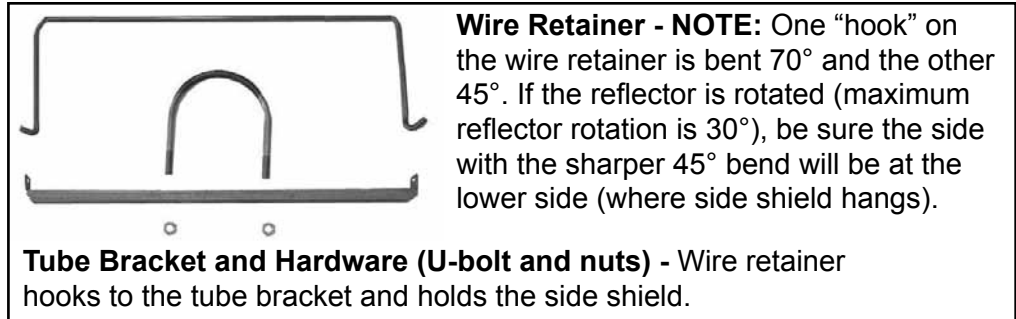


FIGURE 5 - Secure bottom edges of adjacent side shields with the spring steel receptacle nut and screw.



- Starting at the already installed retainer wire at the burner box (or wherever the side shield is being placed), determine where an additional wire retainer is needed for the slot cut in the other end of the 60-3/4" long side shield. At that location, install a tube bracket and wire retainer supplied with the side shield. (See **FIGURE 2.**) (**NOTE:** Suspension is not required at the **additional** wire retainers installed to support side shields.)

Install the tube bracket and wire retainer at the determined location (See **FIGURES 2 and 3**). Slide the threaded "U" bolt over the tube and through the bracket; attach with nuts. Hook the wire retainer ends through the tube bracket.



- Hang the first side shield section from the two wire retainers (the one at the beginning and the one installed in Step 2).
- Side shields should overlap 3/4" (19mm). Drill holes and cut slots as shown in **FIGURE 1** in each side shield. Individually, determine if a third slot is needed to accommodate a suspension hanger. Drill holes and cut the third slot at the appropriate location as needed. Continue the process of cutting slots and adding tube brackets and retainers until all side shields are hanging.
- Secure both ends of each side shield to the wire retainers using the round push-on clips (**FIGURE 4**). Push a clip over the end of the wire retainer until it secures the side shield sections. (The push-on clips are required at the ends only and are not needed at additional center holes needed to accommodate suspension hangers.) At the bottom edge of the side shields where they are overlapped, slide a push-on receptacle nut (**FIGURE 5**) over the edges of both side shields. Carefully secure with a sheetmetal screw.

When installation of the optional side shield is complete, continue to follow the instructions in the heater installation manual. Before startup, verify that all side shields are secure.

www.RezSpec.com
(800) 695-1901

©2012 Thomas & Betts Corporation, All rights reserved.
Trademark Note: Reznor® is registered in at least the United States.
 11/12 Form I-VR-S (Version D)