

REPLACEMENT PARTS FOR ELECTRIC HEATERS

MODELS EBHB, ECR, ECS, EGEB, EGHB, EGP, EGW, EHA,
EHC, EHL, EMC, EWHB, AND EXUB



TABLE OF CONTENTS

MODEL EBHB—BASEBOARD HEATER	2
MODELS ECR AND ECS—CEILING-MOUNTED HEATERS	3
MODEL EGEB—FORCED-AIR STANDARD-DUTY UNIT HEATERS	7
MODEL EGHB—HEAVY-DUTY SUSPENDED UNIT HEATERS	13
MODEL EGP—PORTABLE CONSTRUCTION HEATER	16
MODEL EGW—SUSPENDED WORKSHOP UNIT HEATER	17
MODEL EHA—FORCED-AIR ARCHITECTURAL WALL HEATER	18
MODEL EHC—COMMERCIAL WALL-MOUNTED HEATER	20
MODEL EHL—RESIDENTIAL WALL FAN HEATER	21
MODEL EMC—WALL- OR CEILING-MOUNTED CABINET HEATER	22
MODEL EWHB—WASH-DOWN UNIT HEATER	24
MODEL EXUB—EXPLOSION-RESISTANT UNIT HEATER	26

IMPORTANT

1. Always include complete heater model and serial number so that any specification change can be considered for parts replacement. It can save time and expense.
2. In keeping with our policy of continuous product improvement, we reserve the right to alter any information shown here. Specifications are subject to change without notice.
3. We reserve the right to substitute functional replacements.
4. Order by Part Number (PN) not by heater option designation.

MODEL EBHB—BASEBOARD HEATER

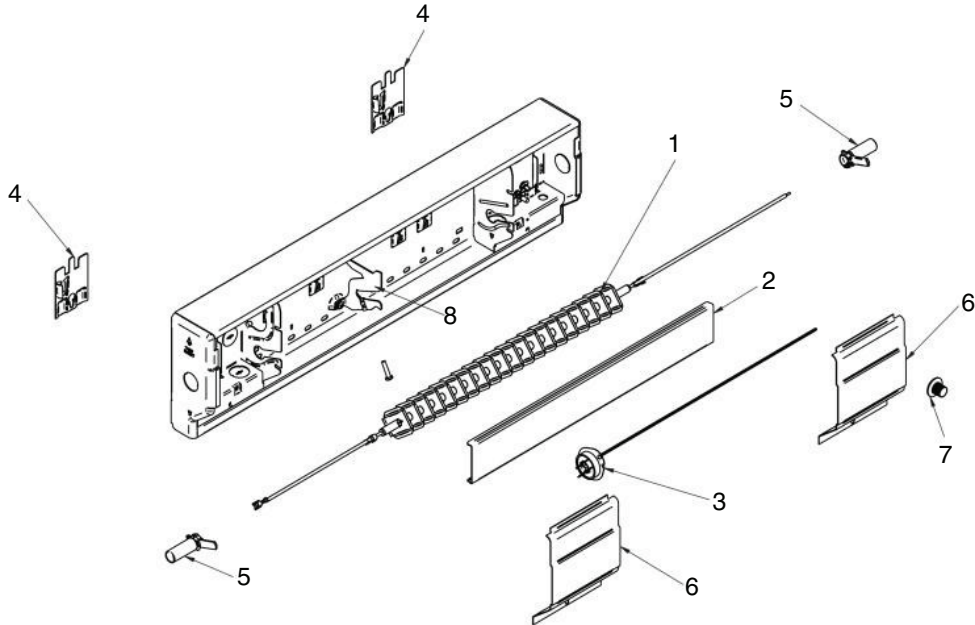


Figure 1. Baseboard Heater (Refer to Table 1)

Table 1. Model EBHB Components							
Item No.	Component	Description	kW				
			0.3	0.5	0.75	1	1.25
			PN				
1	Heating element	120V	1022027	1022028	1022029	1022030	1022031
		208V	1022032	1022033	1022034	1022035	1022036
		240V	1022037	1022038	1022039	1022040	1022041
		277V	—	1022042	1022043	1022044	1022045
2	Front cover	Almond*	2251005500DAM	2251005501DAM	2251005502DAM	2251005503DAM	2251005510DAM
		White*	2251005500DBL	2251005501DBL	2251005502DBL	2251005503DBL	2251005510DBL
3	High limit control	Standard	1022051		1022052	1022053	1022054
		High-elevation	1022055		1022056	1022057	1022058
Item No.	Component	Description	kW				
			1.5	1.75	2	2.25	2.5
			PN				
1	Heating element	120V	1022059	—	—	—	—
		208V	1022060	1022061	1022062	1022063	1022064
		240V	1022065	1022066	1022067	1022068	1022069
		277V	1022070	1022071	1022072	1022073	1022074
2	Front cover	Almond*	2251005511DAM	2251005506DAM	2251005512DAM	2251005508DAM	2251005509DAM
		White*	2251005511DBL	2251005506DBL	2251005512DBL	2251005508DBL	2251005509DBL
3	Thermostat	Standard	1022080	1022081	1022082	1022083	1022084
		High-elevation	1022085	1022086	1022087	1022088	1022089
Item No.	Component	Description	PN				
4	Holder	Wire	1022090				
5	Support	Heating element	1022091				
6	Junction box cover	Without logo	1022092				
		With logo	1022093				
7	Knob	Control	1012134				
8	Bracket	Central	234607				

*Also available in bronze, metallic charcoal and silver, semi-gloss black, sand, and aluminum. Contact factory representative for PN.

MODELS ECR AND ECS—CEILING-MOUNTED HEATERS

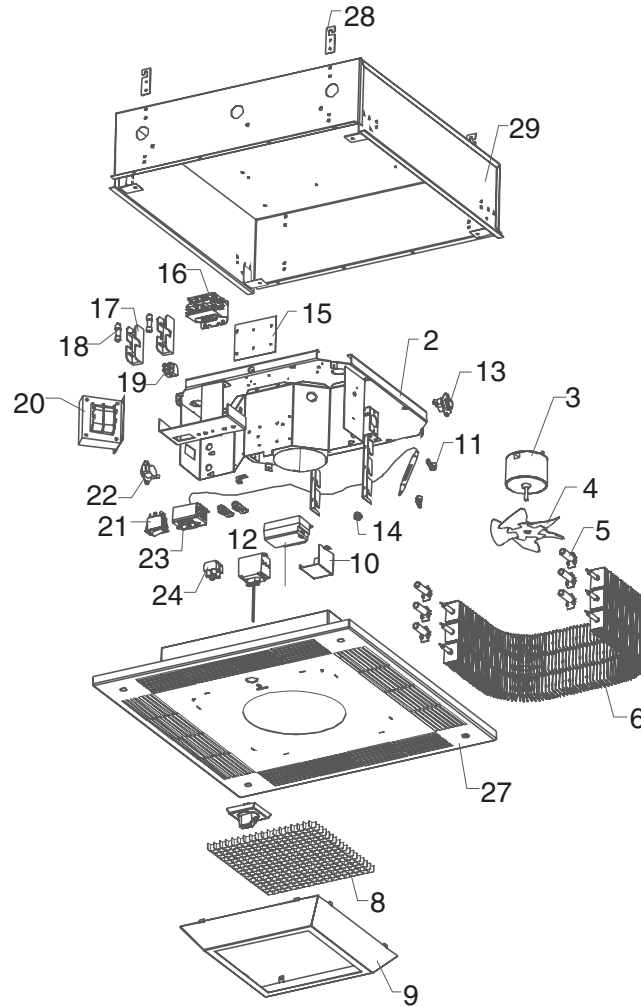


Figure 2. Model ECR— Recessed-Mounted Ceiling Heater (Refer to [Table 2](#))

MODELS ECR AND ECS—RECESSED-MOUNTED CEILING HEATERS—CONTINUED

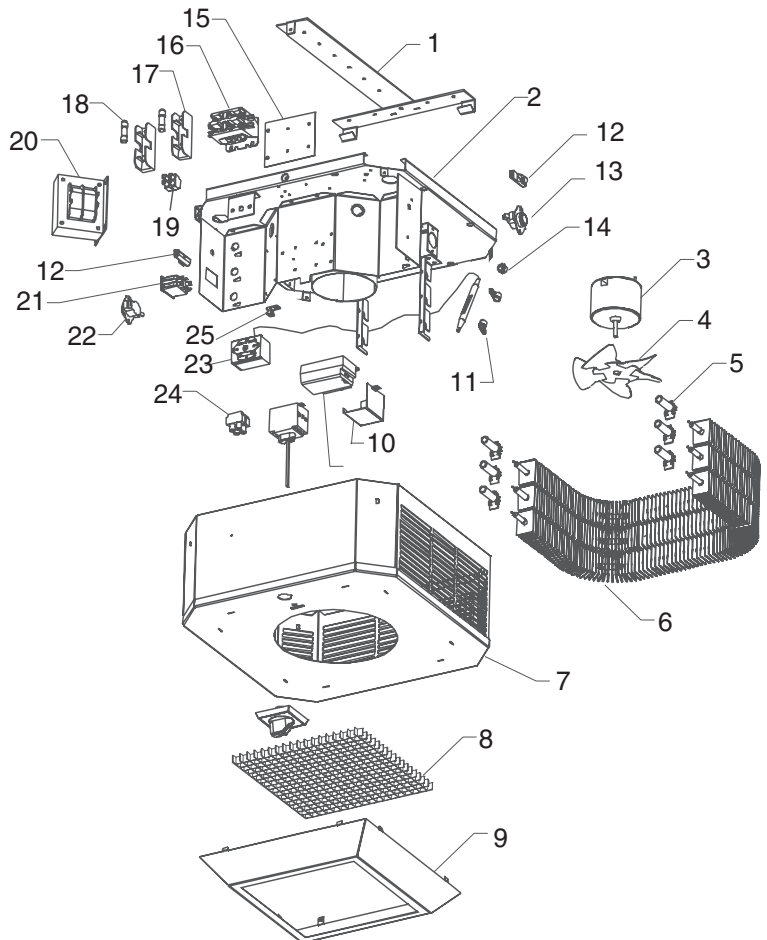


Figure 3. Model ECS—2-5kW Surface-Mounted Ceiling Heater (Refer to [Table 2](#))

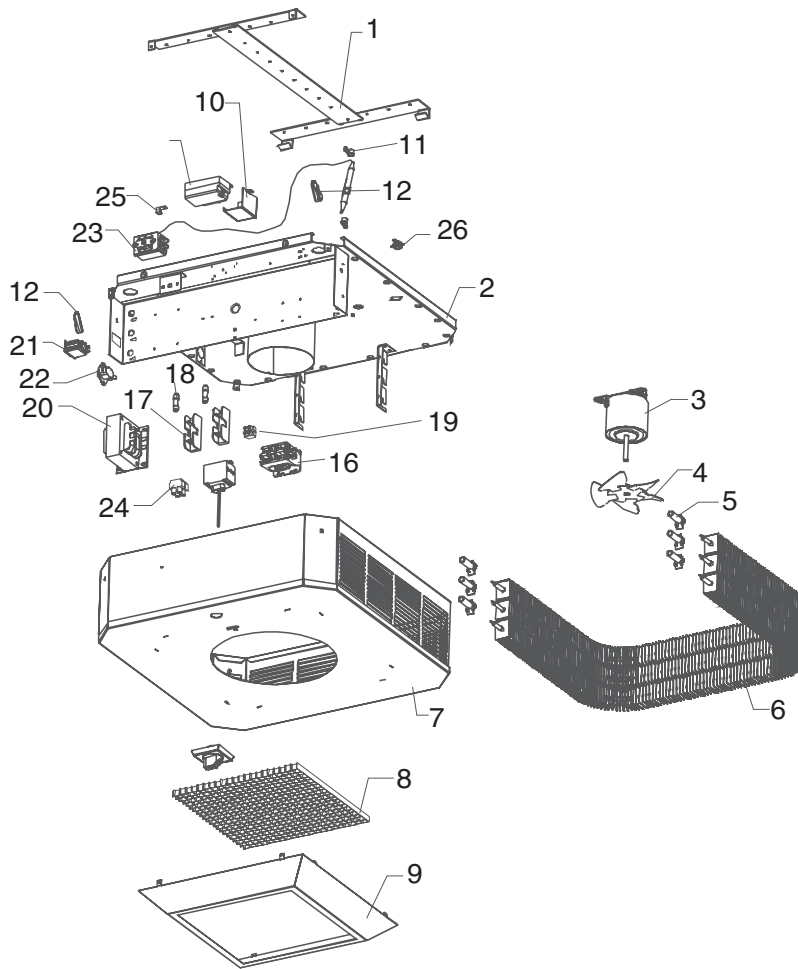


Figure 4. Model ECS—7–10kW Surface-Mounted Ceiling Heater (Refer to [Table 2](#))

MODELS ECR AND ECS—RECESSED-MOUNTED CEILING HEATERS—CONTINUED

Table 2. Model ECR and ECS Components									
Item No.	Component	Description	kW						Model
			2	3	4	5	7	10	
			PN						
1	Ceiling bracket	T-shaped	234330				—		ECS
		H-shaped	—				234368		
2	Base	Component bracket	234325				234365		ECR, ECS
3	Motor	240V	234297				—		
		277V	234299				—		
		208V/240V	—				234294		
4	Fan	—	234276				234274		
5	Bushing	5/16, black rubber	223995						ECR, ECS
6	Heating element	208V, 1PH	234341	234348	234347	234353	234335	234359	
		208V, 3PH	234342 234351 234348 234354 234336 234360						
		240V, 1PH							
		240V, 3PH							
		277V, 1PH	234345	234333	234351	234357	234339	234363	
		347V, 1PH	234343	234331	234349	234355	234337	234361	
		480V, 1PH	234346	234334	234352	234358	234340	234364	
		480V, 3PH					234339	234363	
		600V, 1PH	234344	234332	234350	234356	234338	234362	
		600V, 3PH					234337	234361	
7	Body	Cabinet	234326				234366		ECS
8	Grille	White	234284				234285		
9	Frame	Outlet air	234327				234367		
10	Separator	24V	234329						ECR, ECS
11	Wire clip	Nylon	234171						
12	Light	Indicator	234293						
13	Limit switch	≤277V	234302				—		
14	Bushing	1/2, rubber	223994				—		
15	Bracket	Contactor	234328				—		
16	Contactor	2-pole	234172						
		3-pole	—				234173		
17	Fuse holder	30A	234283						
18	Fuse	15A	234279						
19	Terminal block	600V, 2-pole	234290						
20	Transformer	347V/240V	234379						
		480V/240V	234386						
		600V/240V	234378						
21	Switch	ON/OFF	234286						
22	Control	Fan delay	234300						
23	Thermostat		234376						
24	Terminal block	600V, 12-pole	234289						
		600V, 4 wires	—				234292		
25		—	234287						ECS
26	Control	High limit	—				234306		
27	Venturi	—	234372				—		ECR, ECS
28	Support	Bracket	234373				—		
29	Mounting box	Recessed	234371				—		

MODEL EGEB—FORCED-AIR STANDARD-DUTY UNIT HEATERS

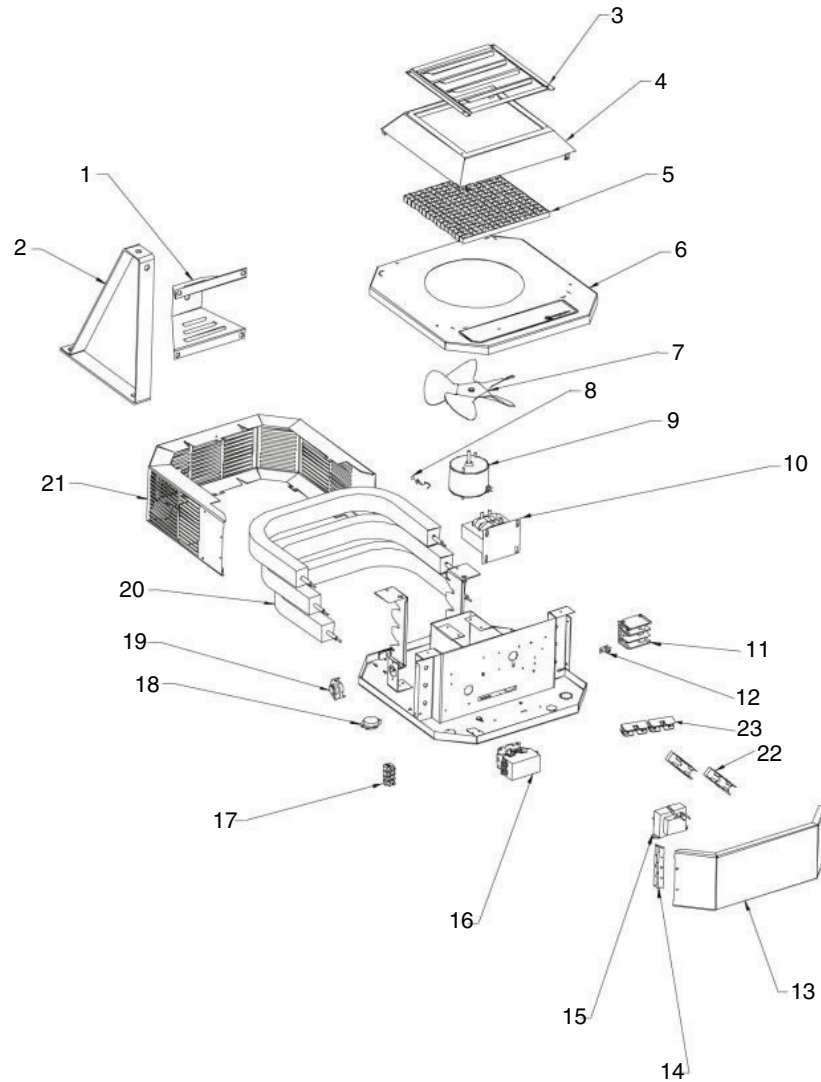


Figure 5. 2-5kW Forced-Air, Standard-Duty Unit Heater (Refer to Table 3)

MODEL EGEB—FORCED-AIR, STANDARD-DUTY UNIT HEATERS—CONTINUED

Table 3. Model EGEB Components (2–5kW)					
Item No.	Component	Description	kW		
			2	3	5
			PN		
1	Bracket	Ceiling, almond	1022244		
2		Wall-support, almond	1022094		
3	Baffle	Almond	1022095		
4	Pyramid	Almond	1022096		
5	Eggcrate	Black	1022097		
6	Front panel	Almond	1022098		
7	Fan	—	234276		
8	Clip	Spring	1022099		
9	Motor	208V/240V/347V/480V/600V	234295		
		277V, 1PH	234299		
10	Transformer	277V	1022100		
		347V	234379		
		480V	234386		
		600V	234378		
11	Terminal block	208V/240V/277V/347V/480V/600V, 1PH	1022101		
		208V/480V/600V, 3PH	1022102		
12	Terminal	Grounding	234287		
13	Door	Junction box, almond	1022103		
14	Hinge	—	1022104		
15	Control transformer	208V	1022105		
		240V	1022105		
		277V	1022106		
		347V	1022248		
		480V	1010833		
		600V	1022107		
16	Contactor	—	234172		
		24V	1005765		
17	Control terminal board	2-pole	234290		
		3-pole	1022108		
		4-pole	1022109		
		5-pole	1022110		
		6-pole	1022111		
18	Control	High limit	1022112		
19		Fan delay	1012050		
20	Heating element	208V	234341	234348	234353
		240V	234342	234351	234354
		277V	234345	234333	234357
		347V	234343	234331	234355
		480V	234346	234334	234358
		600V	234344	234332	234356
21	Grill	Air inlet, almond	1022113		
22	Fuse		Refer to Table 6		
23	Fuse holder				

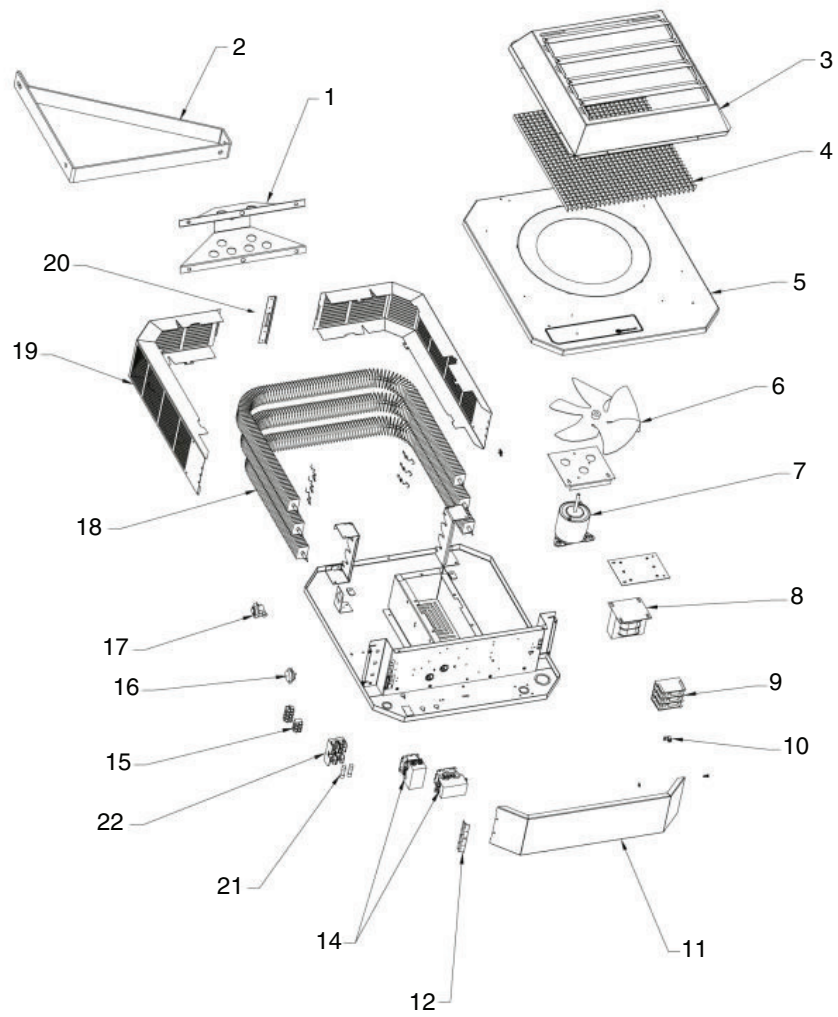


Figure 6. 7.5–10kW Forced-Air, Standard-Duty Unit Heater (Refer to [Table 4](#))

MODEL EGEB—FORCED-AIR, STANDARD-DUTY UNIT HEATERS—CONTINUED

Table 4. Model EGEB Components (7.5–10kW)					
Item No.	Component	Description	kW		
			7.5	9.9	10
			PN		
1	Bracket	Ceiling, almond	1022245		
2		Wall-support, almond	1022114		
3	Pyramid	Almond	1022115		
4	Eggcrate	Black	1022116		
5	Front panel	Almond	1022117		
6	Fan	—	1022118		
7	Motor	208V, 1PH	234294		
		208V, 3PH	234294	—	234294
		240V/277V/347V	234294	—	234294
		480V/600V	1022119	—	1022119
8	Transformer	277V	234385	—	234385
		347V	234379	—	234379
		480V	234387	—	234387
		600V	234378	—	234378
9	Terminal block	208V, 1PH	1022101	234291	
		208V, 3PH	1022102	—	1022102
		240V	1022101	—	1022101
		240V, in US	—	—	234291
		277V/347V	1022101	—	1022101
		480V/600V	1022102	—	1022102
10	Terminal	Grounding	234287		
11	Door	Junction box, almond	1022120		
12	Hinge	—	1022104		
13	Control transformer (not shown)	208V, 1PH	1022105		
		208V, 3PH	1022105	—	1022105
		240V	1022105	—	1022105
		277V	1022106	—	1022106
		347V	1022248	—	1022248
		480V	1010833	—	1010833
		600V	1022107	—	1022107
14	Contactor	208V, 1PH	234173		
		208V, 3PH	234172	—	234172
		240V	234173	—	234173
		277V	234172	—	234173
		347V/480V/600V	234172	—	234172
15	Control terminal board	2-pole	234290		
		3-pole	1022108		
		4-pole	1022109		
		5-pole	1022110		
		6-pole	1022111		
16	Control	High limit	1006047		
17		Fan delay	234300		
18	Heating element	208V, 1PH	1022121	1022122	
		208V, 3PH	1022121	—	1022122
		240V	1022123	—	1022124
		277V	1022125	—	1022126
		347V	1022127	—	1022128
		480V	1022129	—	1022130
		600V	1022142	—	1022173
19	Grill	Air inlet, almond	1022246		
20	Bracket	Air inlet grill	1022131		
21	Fuse		Refer to Table 6		
22	Fuse holder				

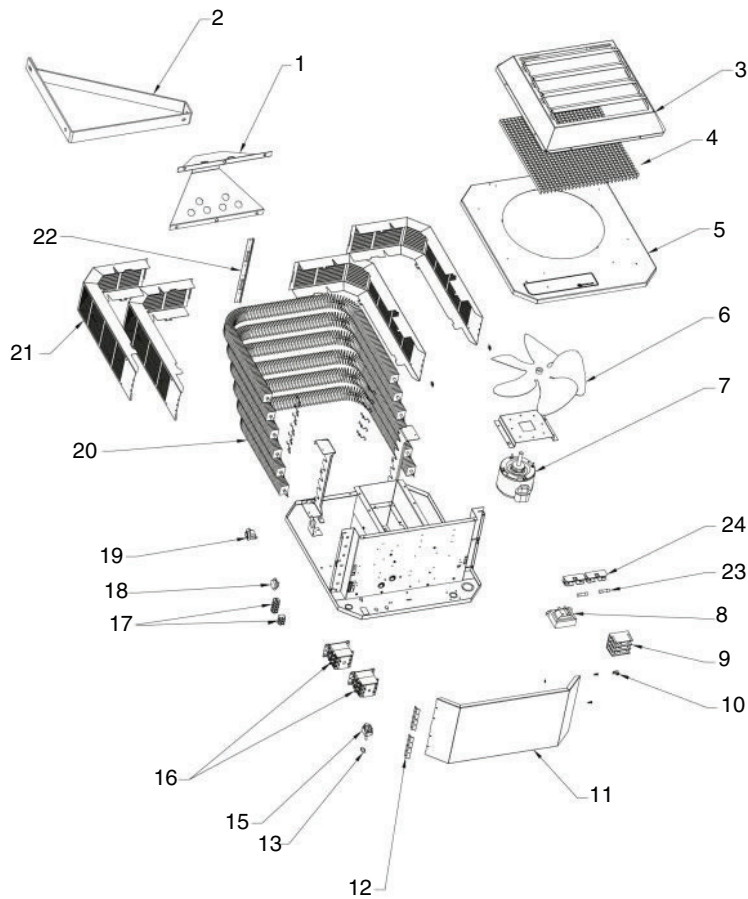


Figure 7. 15–20kW Forced-Air, Standard-Duty Unit Heater (Refer to Table 5)

Table 5. Parts List for Model EGEB Components (15–20kW)

Item No.	Component	Description	kW		
			15	19.8	20
			PN		
1	Bracket	Ceiling, almond	1022247		
2		Wall-support, almond	1022114		
3	Pyramid	Almond	1022115		
4	Eggcrate	Black	1022116		
5	Front panel	Almond	1022117		
6	Fan	—	1022137	1022138	
7	Motor	208V	1022139	—	1022139
		240V	1022139		
		480V	235319	—	235319
		600V	1006024	—	1006024
8	Transformer	480V	234387	—	234387
		600V	234384	—	234384
9	Terminal block	208V/240V	234291		
		480V/600V	234292	—	234292
10	Terminal	Grounding	234287		
11	Door	Junction box, almond	1022140		
12	Hinge	—	1022104		
13	Switch	DPDT	1022141		
14	Control transformer (not shown)	208V	1022105	—	1022105
		240V	1022105		
		480V	1010833	—	1010833
		600V	1022107	—	1022107
15	Toggle switch	3-pole	1022143		
16	Contactors	—	234172 or 1005765 (24V)		

MODEL EGEB—FORCED-AIR, STANDARD-DUTY UNIT HEATERS—CONTINUED

Table 5. Parts List for Model EGEB Components (15–20kW)—Continued					
Item No.	Component	Description	kW		
			15	19.8	20
			PN		
17	Control terminal board	2-pole	234290		
		3-pole, with motors <300V	1022108		
		3-pole, with motors >300V	234289		
		4-pole	1022109		
		5-pole	1022110		
		6-pole	1022111		
18	Control	High limit	1022144		
19		Fan delay	234300		
20	Heating element	208V	1022121	—	1022122
		240V	1022123	1022124	
		480V	1022129	—	1022130
		600V	1022142	—	1022173
21	Grill	Air inlet, almond	1022246		
22	Bracket	Air inlet grill	1022145		
23	Fuse		Refer to Table 6		
24	Fuse holder				

Table 6. Fuses and Fuse Holders for Model EGEB				
Component	Description	kW		
		2, 3, 5	7.5, 9.9, 10, 15, 19.8, 20	
		PN		
Fuse	3/16A	—	1022132	
	4/10A	1022133		
	6/10A	1022134		
	0.75A	—	1022135	
	1.5A	234278		
	15A	234279		
	30A	1022136		
	60A	—	234280	
Fuse holder	3/16A and 0.75A	—	234283	
	4/10A, 6/10A, 15A, and 30A	234283		
	1.5A	234369		
	60A	—	234281	
	60A, triple units	—	234282	

MODEL EGHB—HEAVY-DUTY SUSPENDED UNIT HEATERS

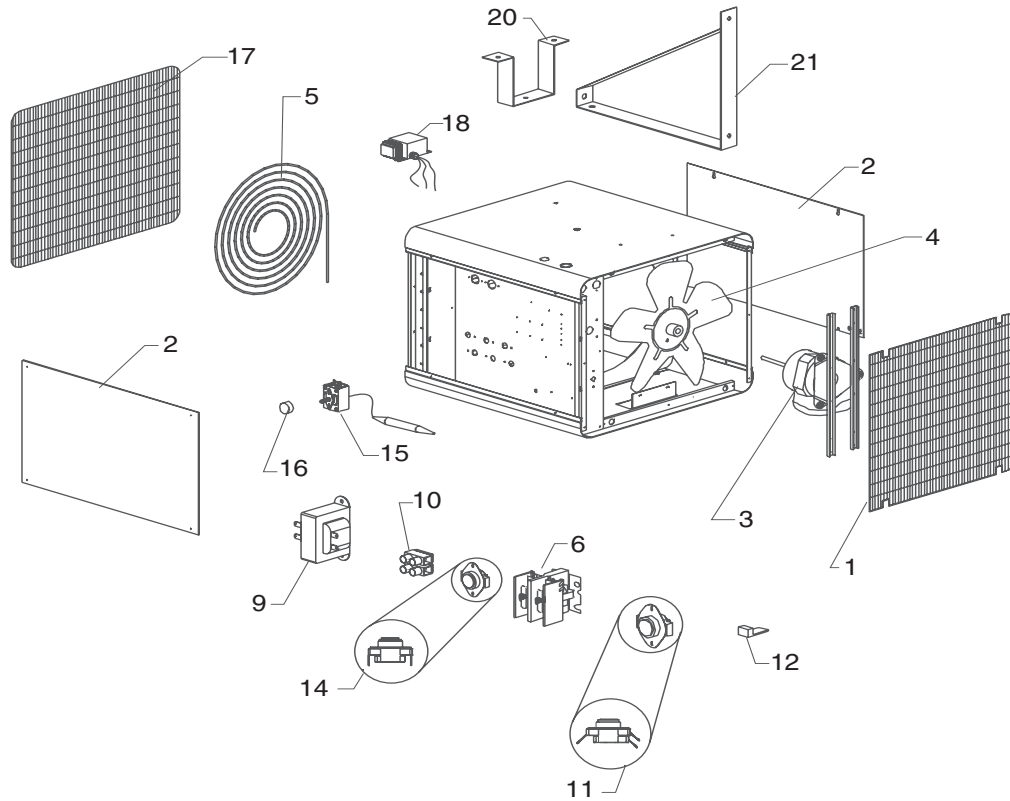


Figure 8. 2–30kW Heavy-Duty Suspended Unit Heater (Refer to [Table 7](#) and [Table 8](#))

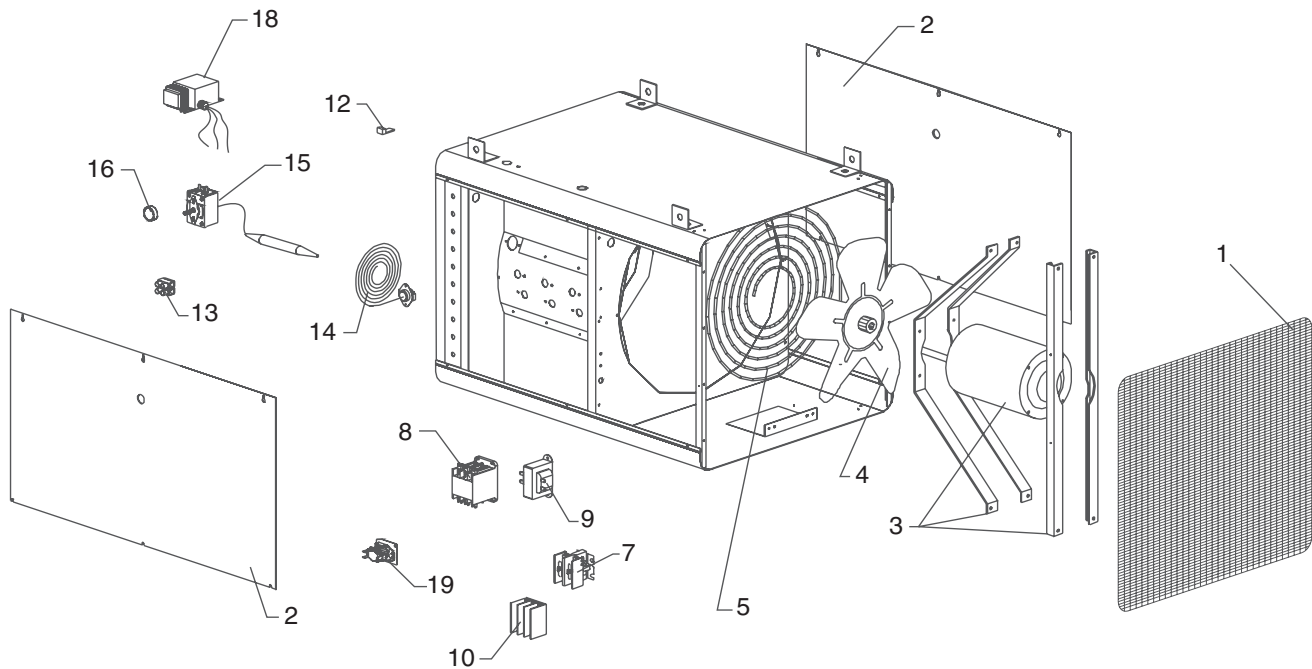


Figure 9. 40–60kW Heavy-Duty Suspended Unit Heater (Refer to [Table 7](#) and [Table 8](#))

MODEL EGHB—HEAVY-DUTY SUSPENDED UNIT HEATERS—CONTINUED

Table 7. Model EGHB Components (2–10kW)										
Item No.	Component	Description	kW							
			2	3	4	5		7	10	
			PN							
1	Grill	Front	234312			234312				
2	Side panel	Almond	234311			234311				
3	Motor	208V	234294			234294				
		240V	234294			234294				
		347V	234294			234294		—		
		480V	234294			234294				
		600V	234294			234294				
4	Fan	—	234274			234274				
5	Heating element	208V, 1PH	234201	234200	234201	234203		—		
		208V, 3PH	234196	234197	234198	234201	234202	234240	234203	234199
		240V, 1PH	234200	234202		234200	234231		234201	234203
		347V, 1PH	234206	234205	234206	234206	234207		—	
		480V, 1PH	234243	234245		234241	234242		—	
		480V, 3PH	234243	234245		234241	234242		234244	234246
		600V, 1PH	234208	234208	234211	234208	234209		—	
600V, 3PH	234204	234205		234208	234209		234210	234211		
6	Contactor	208V, 1PH	234172			234172		—		
		208V, 3PH	234172			234172		234173		
		240V, 1PH	234172			234172				
		347V, 1PH	234172			234172		—		
		480V, 1PH	234172			234172		—		
		480V, 3PH	234172			234172				
		600V, 1PH	234172			234172		—		
600V, 3PH	234172			234172						
7	Contactor	2-Pole	Not used							
8		3-Pole								
9	Transformer	347V, 1PH	234379			234379		—		
		480V, 1PH	234386			234386		—		
		480V, 3PH	234386			234386				
		600V, 1PH	234378			234378		—		
		600V, 3PH	234378			234378				
10	Terminal block	208V, 1PH	234289			234289		—		
		208V, 3PH	234289			234289		234288		
		240V, 1PH	234289			234289		234292		
		347V, 1PH	234289			234289		234292	—	
		480V, 1PH	234289			234289		—		
		480V, 3PH	234289			234289				
		600V, 1PH	234289			234289		—		
600V, 3PH	234289			234289						
11	Control	Fan delay	234300			234300				
12	Terminal block	—	234287			234287				
13		Not used								
14	High limit control	Automatic reset	234301			234301				
		Manual reset	234304			234304				
15	Thermostat	—	234375			234375				
16	Knob	Thermostat	223991			223991				
17	Grill	Back	234313			234313				
18	Relay kit	24V, without transformer	234431			234431				
		24V, with transformer	234432			234432				
19	Relay	Fan	Not used							
20	Bracket	Ceiling, almond	234315			234315				
21		Wall-support, almond	234314			234314				

Table 8. Model EGHB Components (15–60kW)

Item No.	Component	Description	kW						
			15	20	25	30	40	50	60
			PN						
1	Grill	Front	234217			234217	234322		
2	Side panel	Almond	234316			234316	234321		
3	Motor	208V	234298			—	—		
		240V	234298						
		480V	234296			234296	234324		
		600V	234296			234296	234323		
4	Fan	—	234273			234273	234275		
5	Heating element	208V, 3PH	234214	234215	234212	—	—		
		240V, 1PH	234213	234214	234215				
		480V, 3PH	234247	234248	234249	234250	234270	234271	234272
		600V, 3PH	234217	234218	234219	234216	234237	234238	234239
6	Contactor	208V, 3PH	234173			—	—		
		240V, 1PH	234173						
		480V, 3PH	234172		234173	234173	234172		
		600V, 3PH	234172			234172			
7	Contactor	2-Pole	—			—	234172		
3-Pole		234173							
9	Transformer	480V, 3PH	234387			234387	234387		
		600V, 3PH	234377			234377	234384	234384	234384
10	Terminal block	208V, 3PH	234288		234291	—	—		
		240V, 1PH	234292						
		480V, 3PH	234289	234288		234288	234288	234288	234291
		600V, 3PH	234289		234288	234288	234288	234288	234288
11	Control	Fan delay	234300			234300	—		
12	Terminal block	—	234287			234287	234287		
13			—			—	234290		
14	High limit control	Automatic reset	234301			234301	—		
		Manual reset	324304			324304			
		750V	—			—	234305		
15	Thermostat	—	234375			234375	234375		
16	Knob	Thermostat	223991			223991	223991		
17	Grill	Back	234318			234318	—		
18	Relay kit	24V, without transformer	234431			234431	234431		
		24V, with transformer	234432			234432	234432		
19	Relay	Fan	—			234308			
20	Bracket	Ceiling, almond	234320			234320	—		
21		Wall-support, almond	234319			234319			

MODEL EGP—PORTABLE CONSTRUCTION HEATER

NOTE: There are no replaceable parts for model EGP. In the event of failure, the unit will be replaced if it is under warranty.



Figure 10. Portable Construction Heater

MODEL EGW—SUSPENDED WORKSHOP UNIT HEATER

NOTE: There are no replaceable parts for model EGW. In the event of failure, the unit will be replaced if it is under warranty.



Figure 11. Suspended Workshop Unit Heater

MODEL EHA—FORCED-AIR ARCHITECTURAL WALL HEATER

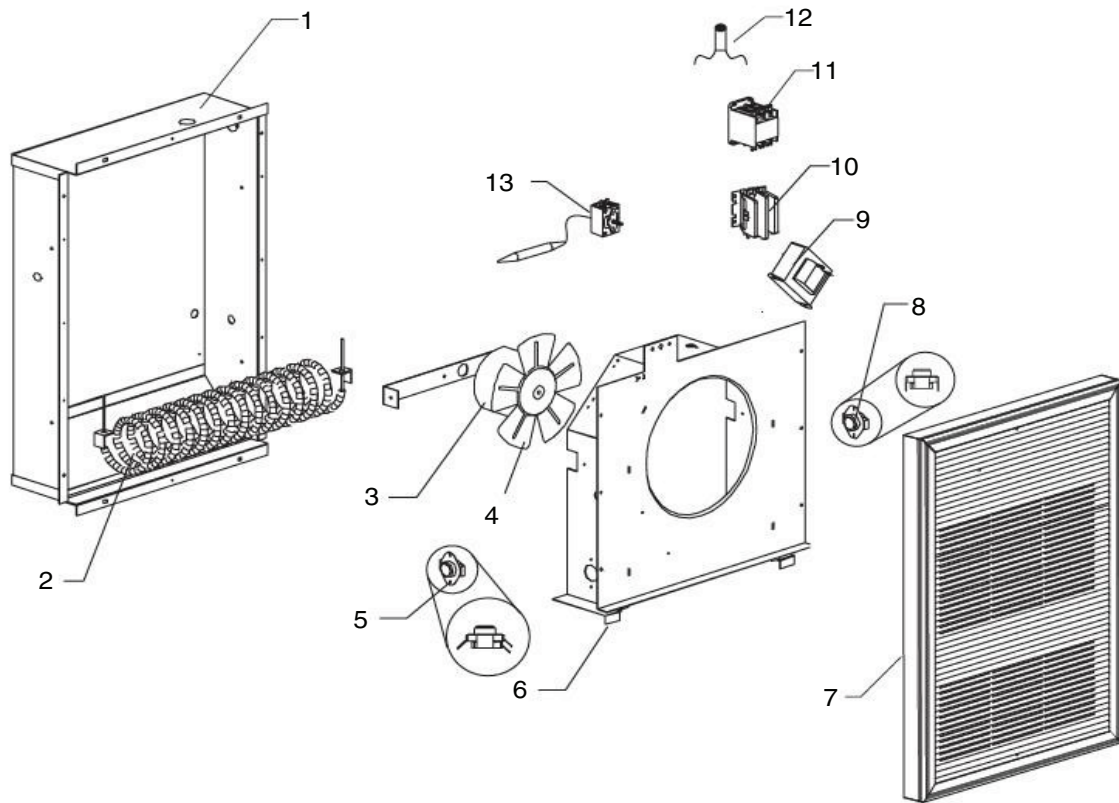


Figure 12. Forced-Air, Architectural Wall Heater (Refer to [Table 9](#))

Table 9. Model EHA Components

Item No.	Component	Description	kW								
			1.5	2	3	4	4.8	6	8	9	12
			PN								
1	Recessed mounting box	1PH	1022146				1022147			—	1022148
		3PH	—				1022148	—	1022148		
2	Heating, element	120V, 1PH	1020489	—				—			
		208V, 1PH	—	234236	—	234220	234257	—	234220	—	234220
		208V, 3PH	—				234236	—	234223	—	
		240V, 1PH	234235	234221	234222	234223	234258	234222	234223	—	234223
		277V, 1PH	234259	234251	234252	234253	234260	234252	234253	—	234253
		347V, 1PH	234232	234224	234225	234226	1022150	234225	234226	—	234226
		480V, 1PH	1022149	234254	234255	234256	1022151	234255	234256	—	234256
		480V, 3PH	—				—				234256
		600V, 1PH	234233	234227	234228	234229	1022152	234228	234229	—	234229
600V, 3PH	—				234227	—	234228	—			
3	Motor	120V	1022153								
		240V	234295								
		277V	234299								
4	Fan	—	1022154								
5	Fan delay control	208V/277V	234300								
		347V/480V/600V	234307								
6	Housing	Fan	1022155								
7	Front cover	Almond*	1022156								
		White*	1022157								
8	High limit control	240V/277V	234302								
		347V/480V/600V	234303								
9	Transformer	277V	1022100								
		347V	234379								
		480V	234386								
		600V	234378								
10	Contactor	2-pole	234172								
3-pole		234173									
12	Light	Indicator	1022158								
13	Thermostat	—	234375								

*Also available in bronze, metallic charcoal and silver, semi-gloss black, sand, aluminum, and anodized aluminum for single units. Also available in all colors for double and triple units. Contact factory representative for PN.

MODEL EHC—COMMERCIAL WALL-MOUNTED HEATER

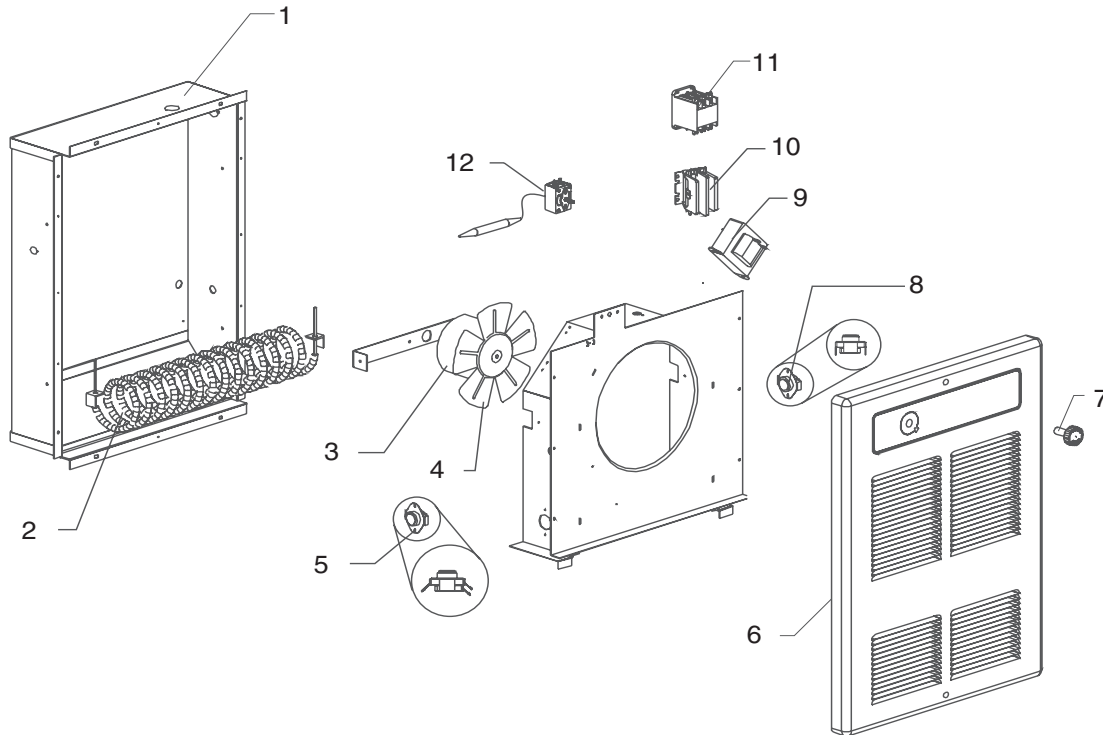


Figure 13. Commercial Wall-Mounted Heater (Refer to Table 10)

Table 10. Model EHC Components										
Item No.	Component	Description	kW							
			1	2	3	4	5	6	8	12
			PN (Quantity)*							
1	Mounting box	Recessed	223978				223985 (2)			223986 (3)
2	Heating element	208V	—	234236	—	234220	234257	—	234220 (2)	234220 (3)
		240V	234235	234221	234222	234223	234258	234222 (2)	234223 (2)	234223 (3)
		277V	234259	234251	234252	234253	234260	234252 (2)	234253 (2)	234253 (3)
		347V	234232	234224	234225	234226	—	234225 (2)	234226 (2)	234226 (3)
		480V	—	234254	234255	234256	—	234255 (2)	234256 (2)	234256 (3)
		600V	234233	234227	234228	234229	—	234228 (2)	234229 (2)	234229 (3)
3	Fan motor	240V	234295							
		277V	234299							
4	Fan	—	234445							
5	Fan delay control	208V/277V	234300							
		347V/480V/600V	234307							
6	Front panel	Almond	223979				223979	223981 (2)		223983 (3)
		White	223980				223980	223982 (2)		223984 (3)
7	Thermostat knob	Brown	223990							
		White	223992							
8	High limit control	208V/277V	234302							
		347V/480V/600V	234303							
9	Transformer	277V	234385							
		347V	234379							
		480V	234386							
		600V	234378							
10	Contactor	2-pole	234172							
11		3-pole	234173							
12	Thermostat	—	234375							

*Quantity is one (1) unless otherwise indicated.

MODEL EHL—RESIDENTIAL WALL FAN HEATER

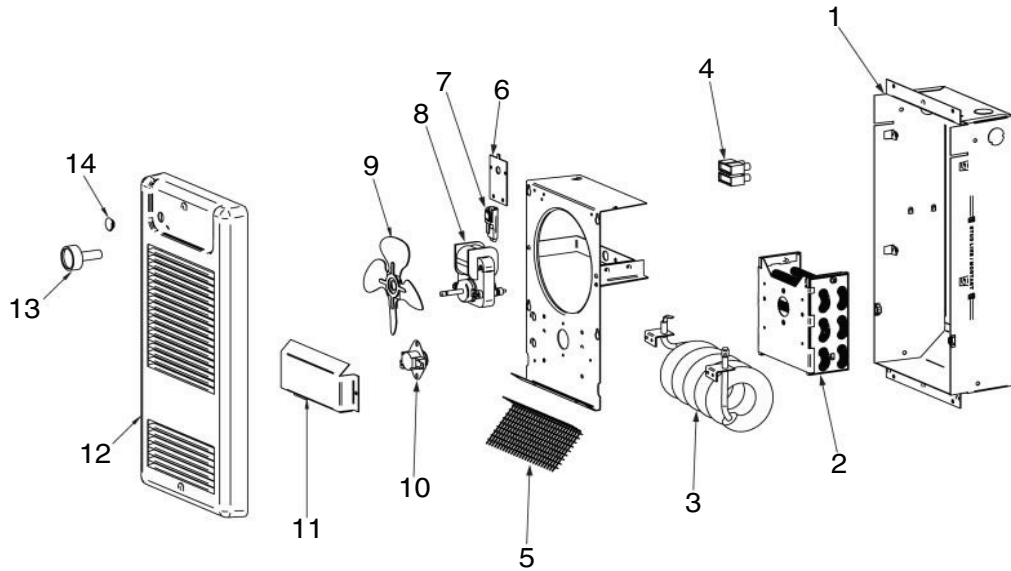


Figure 14. Residential Wall Fan Heater (Refer to Table 11)

Table 11. Model EHL Components									
Item No.	Component	Description	kW						
			0.5	0.75	1	1.25	1.5	2	
1	Recessed mounting box	120–240V	1022159						
		347V	1022249						
2	Heating element	347V	—		1022250	—		1022251	1022252
3		120V	1022160	1022161	1022253	1022162	1022163	—	
		208V	—						1022254
		240V/208V	1022164	1022165	1022166	1022167	1022168	1022160	
4	Terminal block	347V	1022101						
5	Safety grill	347V	1022255						
6	Bracket	Thermostat	1022169						
7	Light	Indicator, US only	234293						
8	Motor	120V	1012064			1022170		—	
		208V	—						1022256
		240V/208V	1022172		1022172	1022171	1022171		
		347V	—		1022171	—		1022171	
9	Fan	120–240V	1012065						
		347V	1022174						
10	High limit control	120–240V	1022175						
		120–240V, in Canada	234306						
		347V, Canada only	1022257						
11	Plate	Protection, 347V	1022258						
12	Front cover	Almond	1022176						
		White	1022177						
13	Knob	Control	1022178						
14	Snap-in plug	White	1022179						
		Almond	1022180						

MODEL EMC—WALL- OR CEILING-MOUNTED CABINET HEATER

NOTE: For wall-mounted **thermostat** options, refer to accessories section in product catalog.

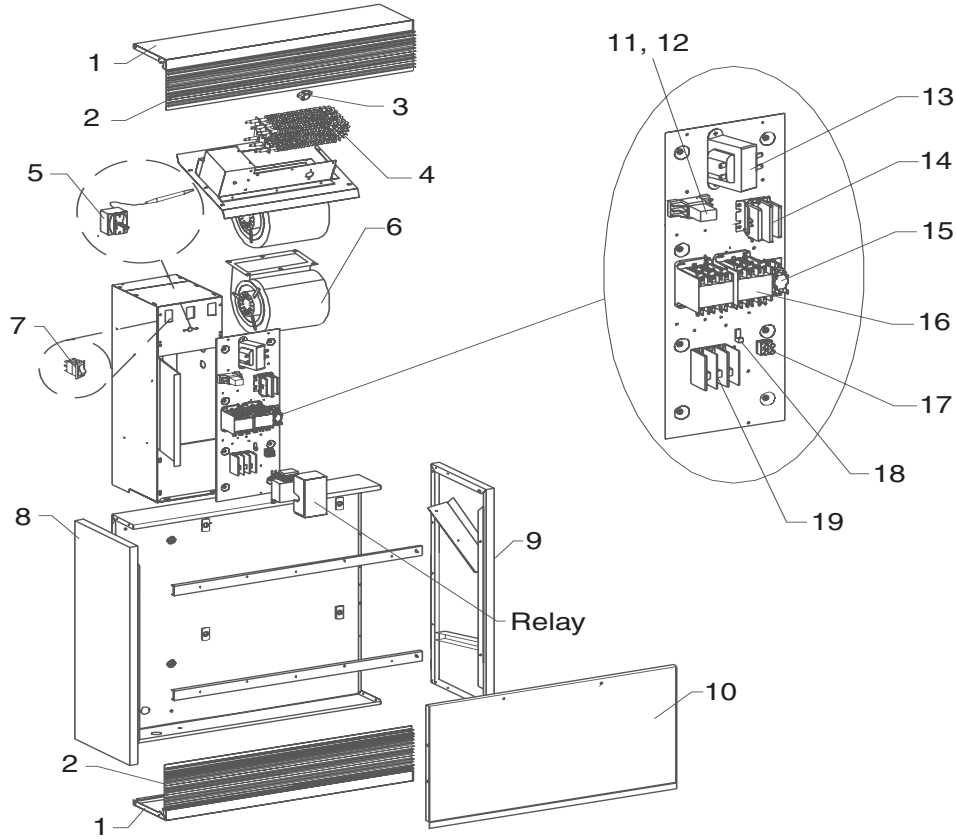


Figure 15. Cabinet Heater (Refer to Table 12)

Table 12. Model EMC Components															
Item No.	Component	Description	kW												
			2	3	4	5	6	8	10	12	15	18	20	24	
			PN												
1	Removable cover	Almond*						234153		234159		234163			
		White*						234154		234160		234164			
2	Grill	Almond*						234157		234165		234167			
		White*						234158		234166		234168			
3	Control	High limit						234301		234301		234301			
4	Heating element	208V, 1PH	234185	234184	234183	234184	234184	234183	234184	234183	234184	234183	234184		
		208V, 3PH	234195	234185	234174	234183	234184	234174	234183	234184	234186	234187	234186	234187	
		240V, 1PH	234187	234191	234185	234186	234187	234185	234186	234187	—		—		
		240V, 1PH	234191	—											
		277V, 1PH	234261	234262	234263	234264	234262	234263	234264	234263	234264	234263	234264	234263	234264
		347V, 1PH	234188	234191	234190	234191	234189	234190	234191	234190	234191	234190	234191	234190	234191
		480V, 1PH	234266	234267	234268	234195	234267	234268	234269	234268	234269	234268	234269	234268	234269
		480V, 3PH	234265	234266	234267	234268	234195	234267	234268	234269	234268	234269	234268	234269	234268
		600V, 1PH	234192	234192	234193	234184	234192	234193	234184	234193	234184	234193	234184	234193	234184
		600V, 3PH	234194	234188	234192	234193	234191	234192	234193	234191	234193	234191	234193	234184	234193
5	Thermostat	—						234376		234376		234376			
6	Fan	Blower						234277		234277		234277			
7	Switch	ON/OFF						234286		234286		234286			

*Also available in bronze, metallic charcoal, semi-gloss black, sand, and aluminum. Contact factory representative for PN.

Table 12. Model EMC Components—Continued

Item No.	Component	Description	kW											
			2	3	4	5	6	8	10	12	15	18	20	24
			PN											
8	Right-side panel	Almond*	223998			223998			223998			223998		
		White*	223999			223999			223999			223999		
9	Left-side panel	Almond*	223996			223996			223996			223996		
		White*	223997			223997			223997			223997		
10	Front panel	Almond*	234147			234151			234169			234161		
		White*	234148			234152			234170			234162		
11	Relay coil	24V	234309			234309			234309			234309		
12	Base	Relay	234310			234310			234310			234310		
13	Transformer	347V	234380			234383			234380			—		
		600V	234381			234382			234381			234382		
14	Contactor	2-pole, 30A	234172			234172			234172			234172		
15	Relay	Fan	234308			234308			234308			234308		
16	Contactor	3-pole, 40A	234173			234173			234173			234173		
17	Terminal block	600V, 2-pole	234290			234290			234290			234290		
18		—	234287			234287			234287			234287		
19		208V, 1PH	234289			—			—			—		
		208V, 3PH	234289			234288			234288			234288		
		240V, 1PH	234289			234288			234288			234291		
		347V, 1PH	234289			234288			—			—		
		600V, 1PH	234289			—			—			—		
600V, 3PH	—			—			—			234289				
20	Contactor without HI-LO switch (not shown)	208V, 1PH	234172			—			—			—		
		208V, 3PH	234172			234172			234173			234173		
		240V, 1PH	234172			234172			234172			234172		
		347V, 1PH	234172			234172			—			—		
		600V, 1PH	234172			234172			234172			234172		
		600V, 3PH	234172			234172			234172			234172		
21	Contactor with HI-LO switch (not shown)	208V, 1PH	234172			—			—			—		
		208V, 3PH	234172			234172			234172			234173		
		240V, 1PH	234172			234172			234172			234172		
		347V, 1PH	234172			234172			234172			—		
		600V, 1PH	234172			234172			234172			234172		
		600V, 3PH	234172			234172			234172			234172		
22	Fuse (not shown)	1.5A	234278			234278			234278			234278		
		15A	234279			234279			234279			234279		
		60A	234280			234280			234280			234280		
23	Fuse holder (not shown)	1.5A	234369			234369			234369			234369		
		15A	234283			234283			234283			234283		
		60A, two fuses	234281			234281			234281			234281		
		60A, three fuses	234282			234282			234282			234282		

*Also available in bronze, metallic charcoal, semi-gloss black, sand, and aluminum. Contact factory representative for PN.

MODEL EWHB—WASH-DOWN UNIT HEATER

NOTE: Several replaceable control components that are not shown below—contactors, capacitors, high limit (automatic and manual) and fan delay controls, transformers, and thermostats—are available for order. Contact your factory representative for part numbers.

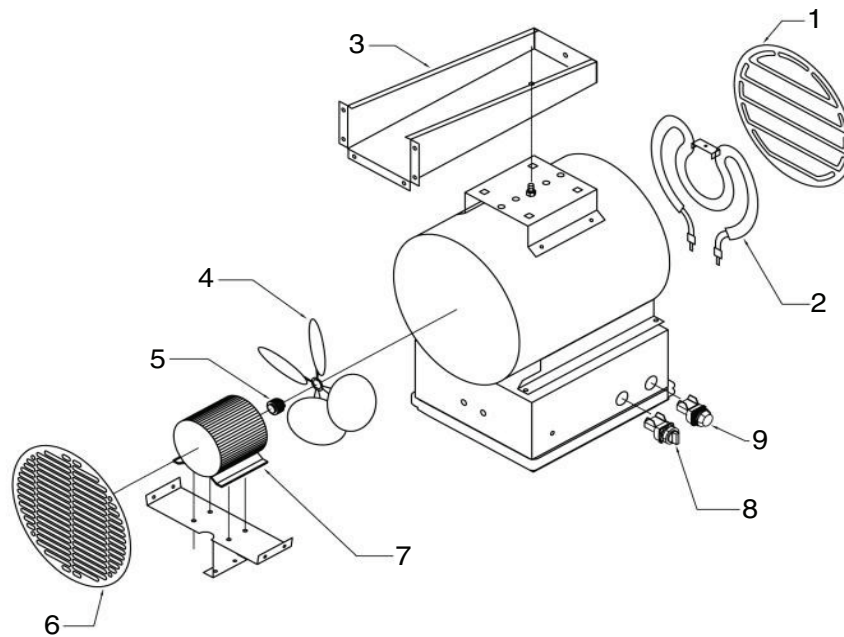


Figure 16. Wash-Down Unit Heater (Refer to [Table 13](#) and [Table 14](#))

NOTE: Replacement parts are still available for the following unit sizes that are no longer manufactured: 9kW, 12kW, 12.5kW, and 47kW.

Table 13. Model EWHB Components (3–12kW)

Item No.	Component	Description	kW						
			3	5	7.5	9	10	12	
			PN (Quantity)*						
1	Grill	Outlet	1022181						
2	Heating element**	208V, 1PH	1022182 (3)	1022183 (2)	1022183 (3)	1022184 (3)	—		
		208V, 3PH	1022182 (3)	1022185 (3)	1022183 (3)	1022184 (3)	1022186 (3)	1022187 (3)	
		240V, 1PH	1022188 (3)	1022189 (2)	1022189 (3)	1022190 (3)	1022191 (3)	—	
		240V, 3PH	1022188 (3)	1022192 (3)	1022189 (3)	1022190 (3)	1022191 (3)	1022193 (3)	
		277V, 1PH	1022194 (3)	1022195 (2)	1022196 (3)	1022197 (3)	1022198 (3)	1022199 (3)	
		480V, 1PH	1022200 (3)	1022201 (2)	1022201 (3)	1022202 (3)	1022203 (3)	1022204 (3)	
		480V, 3PH	1022200 (3)	1022205 (3)	1022201 (3)	1022202 (3)	1022203 (3)	1022204 (3)	
		600V, 3PH	1022206 (3)	1022207 (3)	1022208 (3)	1022209 (3)	1022210 (3)	1022211 (3)	
3	Bracket	Mounting	1022212						
4	Fan	—	1022213			1022214			
5	Hub	Fan	1022215						
6	Grill	Inlet	1022216						
7	Motor	208V/240V/480V	1020495						
		277V/347V	1022217						
		600V	1022218						
8	Selector switch	With three-position knob	1022219						
		With contact block	1022220						
9	Pilot light	24V	1022221						
		120V	1022222						
10	Disconnect switch (not shown)	Watertight, 600V, 3-pole, 40A	1021870						

*Quantity is one (1) unless otherwise indicated.

**When ordering any size heater element, order one (1) hardware kit (PN 1022803) per element. Contact factory representative for element quantities.

Table 14. Model EWHB Components (12.5–47kW)

Item No.	Component	Description	kW							
			12.5	15	20	25	30	35	38.4	47
			PN (Quantity)*							
1	Grill	Outlet	1022224				1022224			
2	Heating element**	208V, 3PH	1022225 (3)	1022226 (3)	—		—			
		240V, 3PH	1022227 (3)	1022228 (3)	—		—			
		480V, 3PH	1022229 (3)	1022230 (3)	1022231 (3)	1022229 (6)	1022230 (6)	1022239 (6)	1022240 (6)	—
		600V, 3PH	1022232 (3)	1022233 (3)	1022234 (3)	1022235 (6)	1022233 (6)	1022241 (6)	1022242 (6)	1022243 (6)
3	Bracket	Mounting	1022236				1022236			
4	Fan	—	1022237				1022237			
6	Grill	Inlet	1022238				1022238			
7	Motor	208V/240V/480V	1020495				1020495			
		277V/347V	1022217				1022217			
		600V	1022218				1022218			
8	Selector switch	With three-position knob	1022219				1022219			
		With contact block	1022220				1022220			
9	Pilot light	24V	1022221				1022221			
		120V	1022222				1022222			
10	Disconnect switch (not shown)	Watertight, 600V, 3-pole, 40A	1021870				1021870		—	

*Quantity is one (1) unless otherwise indicated.

**When ordering any size heater element, order one (1) hardware kit (PN 1022803) per element. Contact factory representative for element quantities.

MODEL EXUB—EXPLOSION-RESISTANT UNIT HEATER

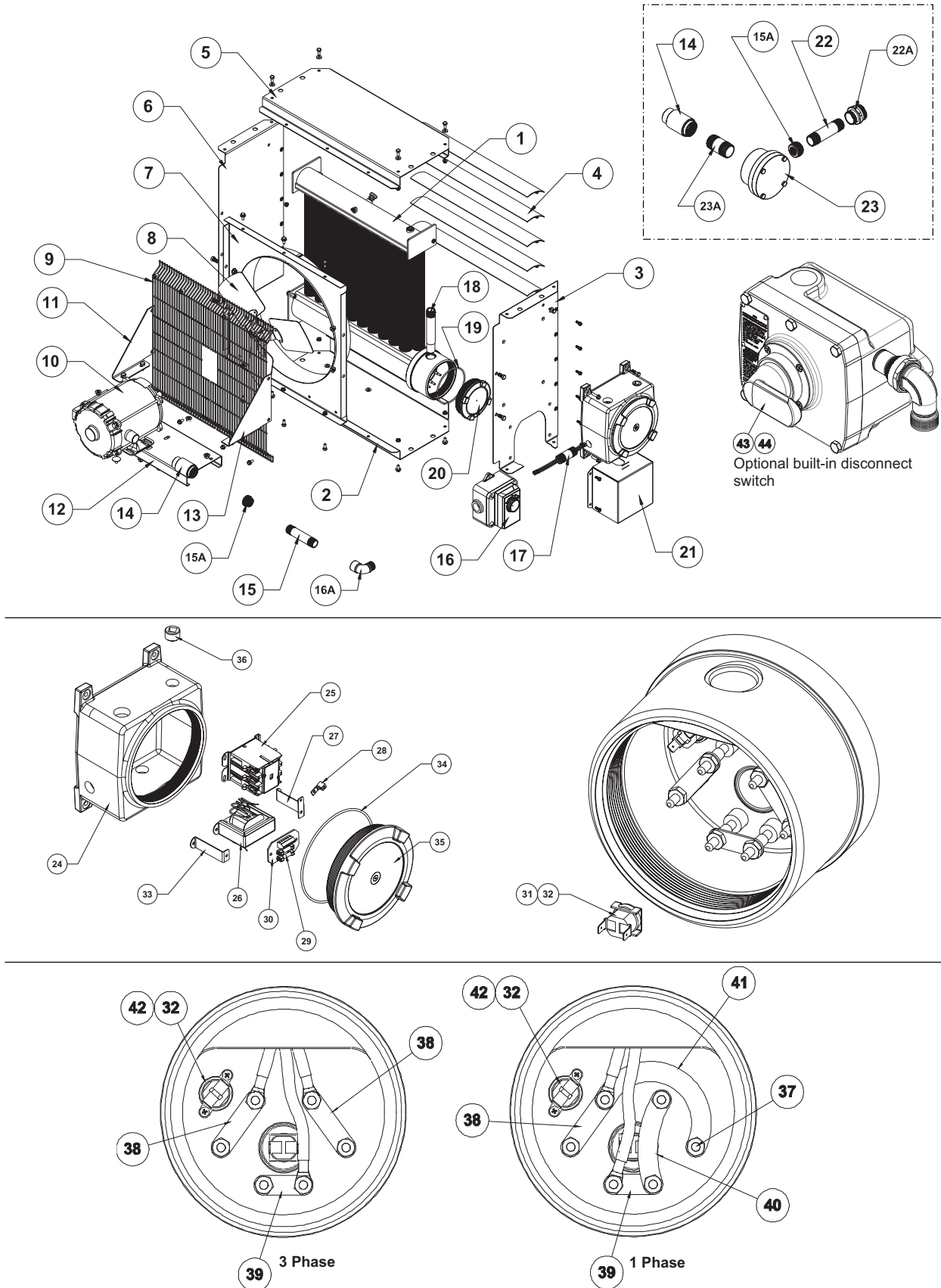


Figure 17. Explosion-Resistant Unit Heater (Refer to Table 15)

Table 15. Model EXUB Components

Item No.	Component	Description	12-Inch Fan			16-Inch Fan		20-Inch Fan	
			kW						
			5	7.5	10	15	20	25	30
			PN						
1	Core assembly	With bus bars	Contact factory representative for PN (specify V, PH, and kW)						
2	Panel	Bottom	235459			235477		235490	
3		Left-side	235460			235478		235491	
4	Blade	Louver	235461			235479		235492	
5	Panel	Top	235462			235480		235493	
6		Right-side	235463			235481		235494	
7		Fan	235464			235482		235495	
8	Blade	Fan	235451	235452	235453	235454	235455	235456	235457
9	Fan guard	Two-piece	235465			235483		235496	
10	Explosion-proof motor	115V/208–230V, 1Ø	235446			235446		—	
		208–230V/460V, 3Ø	235447			235447		235448	
		575V, 3Ø	235449			235449		235450	
11	Motor bracket	Right-side	235458			235458		235458	
12	Base	Motor	235466			235484		235497	
13	Motor bracket	Left-side	235473			235473		235473	
14	Expansion union	Female	235474			235474		235474	
15	Conduit	Expansion union to elbow	235467			235485		235498	
15A	Bushing, reducing	Bushing, reducing	235475			235475		235475	
16	Wall thermostat	Explosion-proof (option CX1)	1011608			1011608		1011608	
16A	Elbow	90-degree	235476			235476		235476	
17	Potted conduit	With thermostat	235468			235468		235500	
		Without thermostat	235469			235469		235501	
18	Conduit	Vertical	235470			235486		235499	
19	O-ring	Element enclosure cover	235488			235488		235488	
20	Cover	Element enclosure	235489			235489		235489	
21	Guard	Element enclosure	235504			235504		235504	
22	Conduit	Motor box to enclosure	235471			235471		235502	
22A	Union	—	235505			235505		235505	
23	Box	Motor outlet	235506			235506		235506	
23A	Conduit	Motor to motor box	235472			235487		235503	
24	Enclosure	Control				235507			
25	Contactor	120V				235508			
		24V				235509			
26	Transformer	120V				235510			
		24V				235511			
27	Bracket	Transformer ground				235512			
28	Lug	Grounding				235513			
29	Fuse	120V, 0.25A				235514			
		24V, 1A				235515			
30	Circuit board assembly	Printed, 120V				235516			
		Printed, 24V				235517			
31	High limit	Automatic reset				235518			
32	Cement	Conductive, high limit				235519			
33	Bracket	Transformer				235520			
34	O-ring	Control enclosure cover				235521			
35	Cover	Control enclosure				235522			
36	Plug	3/4 NPT, explosion-proof				235523			
37	Nut	Bus bar				235524			
38	Bus bar	Straight, long				235525			
39		Straight, short				235526			
40		Curved, short				235527			
41		Curved, long				235528			
42	High limit	Manual reset				235529			
43	Handle	Disconnect				235530			
44	Disconnect switch	Non-fused, 60A				235531			

