

Installation/Service/Operations Manual



**Model BO 2
BUMP OUT 2**



**Model BO 4
BUMP OUT 4**

Pass- Thru Windows

TABLE OF CONTENT

Topic	Page
Disclaimer Contact	3
Sheet Introduction	3
Product Information	4
Description	4
Safety Information	5
Warranty/Specifications	6
Dimensions	7
Installation Procedures	
Tools needed	8
Materials Needed	8
Physical Installation	9
Semi Automatic Installatioin	13
Electrical Installation	14
Initial Operations and Testing	16
Adjustments and Calibrations	17
Operational Procedures	
Modes of Operation	19
Operations	19
Maintenance	
Maintenance Schedule	20
Daily	20
Monthly	20
Yearly	20
Service	
Troubleshooting Guide (Cause and Effect)	21
Parts Lists	
Parts List – Common To Both Models	24
Parts List – Model Specific	25
Drawings - Exploded Views / Schematics	27

DISCLAIMER

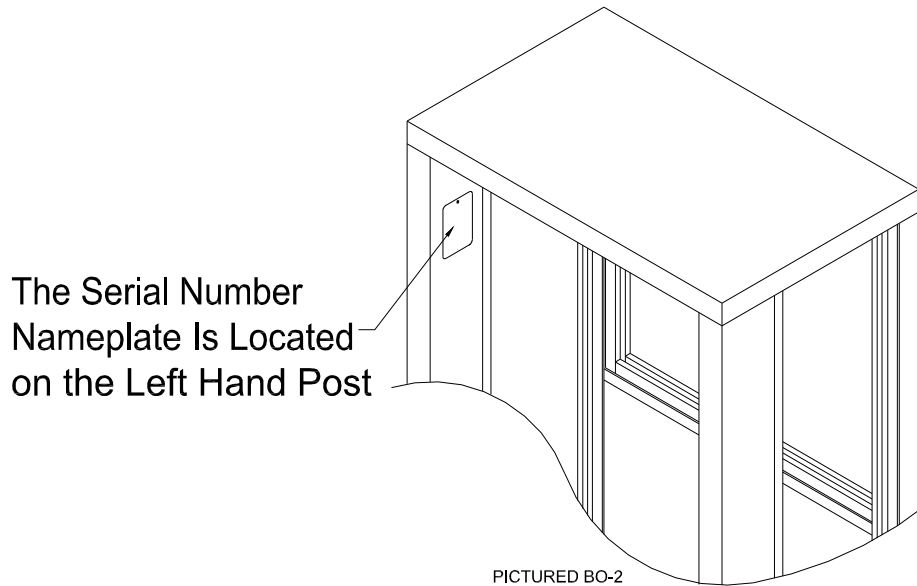
READY ACCESS DISCLAIMS ANY LIABILITY FOR ANY DAMAGE OR HARM CAUSED TO THE BO-2 AND BO-4 DRIVE-THRU WINDOWS, IT'S OPERATOR OR ANY OTHER EQUIPMENT HOWEVER CAUSED IF THE BO-2 DRIVE-THRU WINDOW IS INSTALLED, REPAIRED OR SERVICED BY ANYONE OTHER THAN AN AUTHORIZED SERVICE ENGINEER OR CONTRARY TO THE MANUFACTURERS WRITTEN INSTRUCTION CONTAINED HEREIN.

THIS MANUAL IS INTENDED FOR USE BY THE IN-HOUSE OR AUTHORIZED FIELD SERVICE ENGINEERS AND SALES REPRESENTATIVES

The manufacturer maintains the right to update, add or issue a new service manual at any time without notice, thereby rendering all previous issues obsolete.

Please write the Serial Number and Installation Date for your drive-thru window in the spaces provided.

Serial Number	
Date of Installation	



Contact Information

For sales and service contact

Ready Access
1815 Arthur Drive
West Chicago, Illinois 60185
Email: ready@ready-access.com

Tel: 630-876-7766
Tel: 800-621-5045
Fax: 630-876-7767
Website: www.ready-access.com

INTRODUCTION

The Ready Access window is quality designed to give you years of reliable, trouble-free service. Each window is shipped pre-assembled, fully glazed and ready for installation. All Ready Access windows are thoroughly tested prior to shipping.

The original Ready Access Bump-Out window design is recognized throughout the world as the industry standard with more units installed than any other window of its type. By design, this ruggedly constructed unit combines functional superiority and practicality - all in an attractive window that can match virtually any building exterior.

The BO-2 and BO-4 come in two versions, semi-automatic and electric. The electric version is fully automatic with a manual override in case of a power outage. The doors will open and close by stepping into an out of the light beam sensor. Electric and Semi-Automatic models meet health department requirements for self-closing units.

PRODUCT INFORMATION

- **19"W x 18"H Service Opening (BO-2)**
This large service opening is perfect for virtually any size order, from pizza to ribs to beverage cartons.
- **19"W x 32"H Service Opening (BO-4)**
This large service opening makes the Bump-Out 4 ideal for the bulkiest of orders.
- **Frame Size**
Standard window dimensions are 27 3/4"W x 48 3/4"H.
- **Panoramic View**
The classic Ready Access Bump-out design promotes visibility and personal contact by offering a three sided, 180-degree view of cars and customers.
- **Quality Construction**
Anodized aluminum extrusions, stainless steel and 1/4" tempered glass combine to give you an attractive window that not only enhances building exteriors, but will not rust, pit or weather. Track free bottom sill provides for a contaminant free surface.
- **Fully Assembled, Ready to Install**
Ready Access windows are shipped completely pre-assembled, and fully glazed for lower installation costs. Normal installation takes less than two hours.
- **Five Day Shipping**
Ready Access will ship any standard window order in 5 days from receipt of order.
- **Warranty and Service Support**
Bump-Out 2 and Bump-Out 4 come with a one year limited warranty on parts and labor. In addition, each unit is backed by a worldwide service organization.

SEMI-AUTOMATIC OR FULLY-AUTOMATIC SERVICE OPENINGS

- **Semi- Automatic – BO-2 and BO-4**

In a Semi-Automatic operation, simply release the top lock and push on the push pad to open the door. Both doors part from the center and easily open. A retrofit kit is available to convert semi- automatic models into fully automatic units.

- **Fully Automatic – BO-2 and BO-4 only**

The operator simply steps into an electronic light beam that opens the door panels automatically. The door panels automatically close when the operator steps away from the electronic light beam.

AVAILABLE OPTIONS

- Bump-Out 2 and Bump-Out 4 are available in statuary bronze or clear anodized aluminum.
- Tinted glass is available upon request.
- Powder coat painting is available in a wide range of custom colors.

Safety Information

WARNING: To avoid the risk of fire, electric shock or injury to persons, observe the following:

1. Before servicing or cleaning the unit, switch the power off at the mechanical switch near the unit (Installed by an Electrician) or the electrical entry service panel/circuit breaker. (Load Center)
 - **OSHA LOCK OUT – TAG OUT** procedures are to be observed to prevent power from being switched on accidentally.
2. Any Installation and / or Electrical work must be done by **QUALIFIED** persons in accordance with all applicable codes / standards and manufacturers recommendations and specifications.
3. **DO NOT** insert fingers and / or foreign objects into the Drive-Thru Window.
DO NOT block or tamper with the unit in any manner while it is in operation.
4. This product must not be used in Potentially Dangerous locations such as Flammable, Explosive Chemical – laden environment.

WARRANTY:

Ready Access will only accept responsibility for manufacturing defects in the product's construction and/or materials.

Adjustments required during installation are the responsibility of the installer or contractor and will not be covered under warranty.

Problems caused by improper installation are the responsibility of the installer or contractor and will not be covered under warranty.

SPECIFICATIONS AND PERFORMANCE

Fully-Automatic

Model Number	Unit Voltage		Actual Unit Amps	Dimensions In Inches W x H x D	Weight In Shipping Carton
	USA	International			
BO-2 - E	110/120 VAC 60Hz	220/240 VAC 60Hz	15 A (US) 8 A (Int'l)	27 ¾" x 48¾" x 15 ¾"	156 lbs
BO-4 - E	110/120 VAC 60Hz	220/240 VAC 60Hz	15 A (US) 8 A (Int'l)	27 ¾" x 48¾" x 15 ¾"	156 lbs

Dimensions

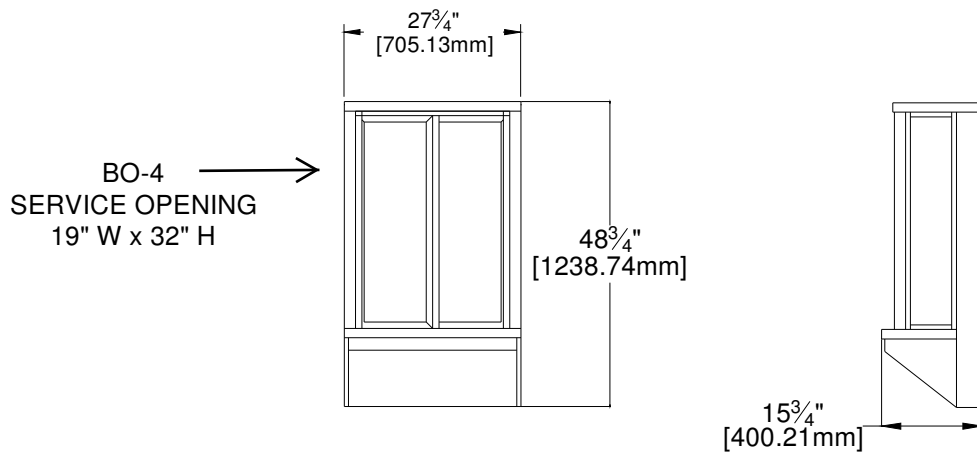
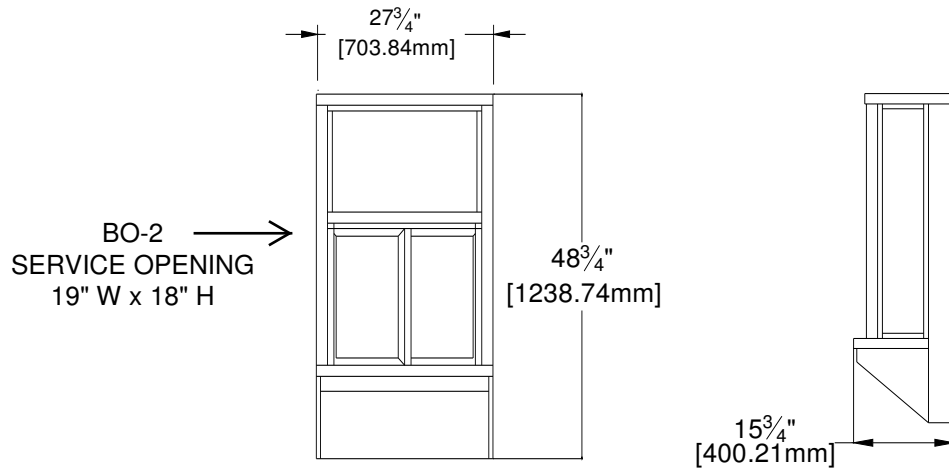


Figure 1

Installation Procedures

Tools required to perform the installation

- Electric Drill
- Metal Drill bits –
 - 1/8" (3mm)
 - 1/4" (6mm)
 - 1/2" (13mm)
 - 1" (25mm)
- Screwdrivers – Slotted and Phillips
- Hacksaw
- Jack / Utility Knife
- Flat File – Coarse
- Caulking gun
- 1/4" Nut Driver
- Extension Cord
- Masonry drill bit –
 - 1/4" (6mm)
 - 1" (25mm)
 - 1 1/2" (38mm)
- Masonry Hole Saw – 1" (25mm)
- Channel Lock Pliers
- Tape Measurer
- Wire Cutter
- Step Ladder
- Level

Materials required for installation

- Window framing, architect specified and installed in building.
(Ready Access recommended material is 1/8" (3mm) x 1 3/4" (44.5mm) x 4" (102mm) hollow aluminum tubing or glazing channel)
- Electrical Tape
- Wire Nuts
- Caulking – silicone (Color specific to the color of window)
- Connectors for conduit as required
- Shingle type shims – as required to level and plum the window

Physical Installation

Before you begin installing your Ready Access Drive-Thru Window, you must determine what type of installation will be required. Wood Frame, Masonry Framing, etc.

Please refer to the details below to pick which one best fits your application.

WARNING:
TWO PEOPLE ARE REQUIRED FOR THE LIFTING AND INSTALLATION OF THE WINDOW.

NOTE: There are two wall-mounting applications. The mounting space can be surrounded either by sidelights (windows) or masonry. The illustrations below will show both configurations. (Figure 2)

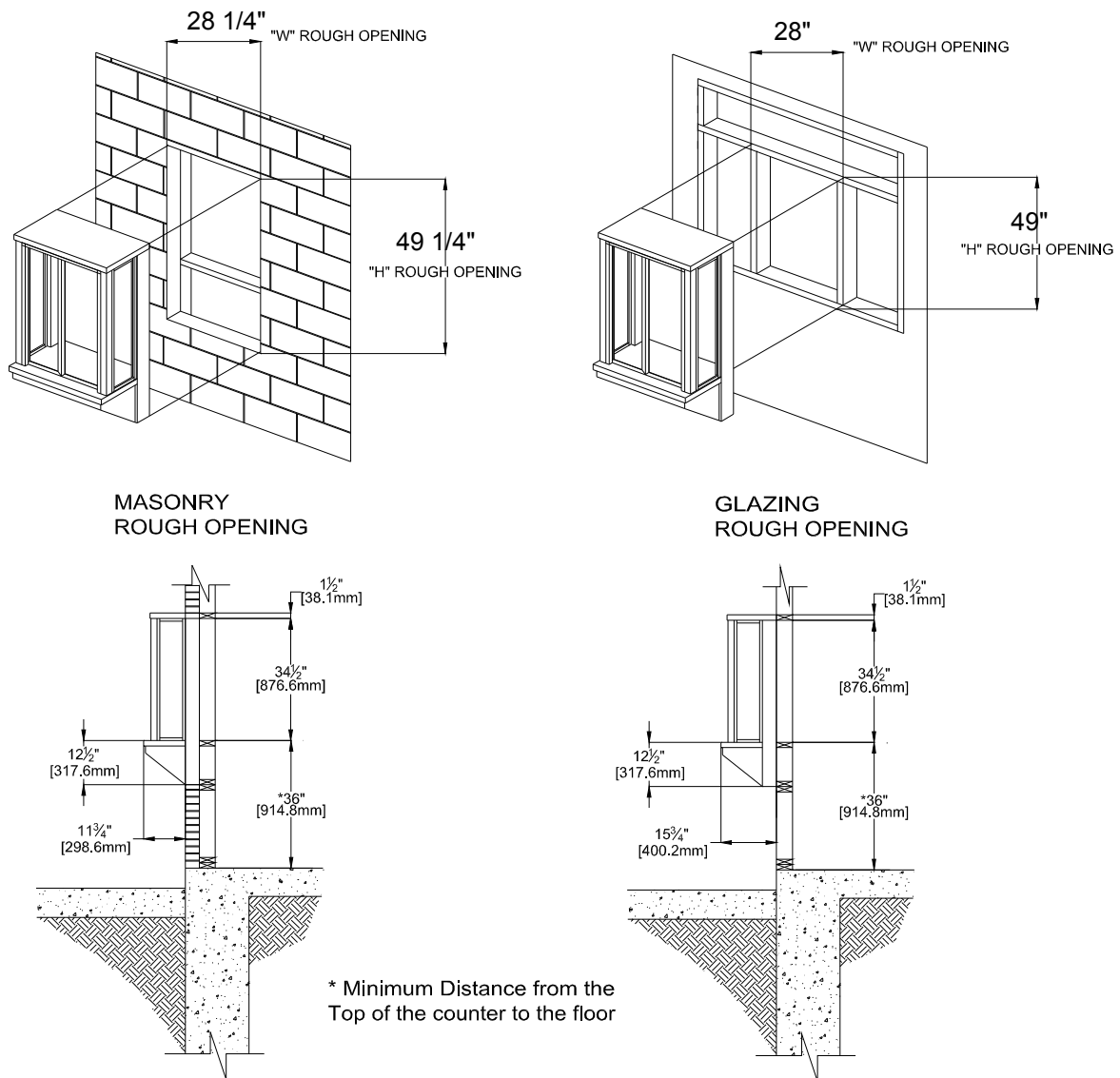


Figure 2
PICTURED BO-4

1. Confirm that the customer-supplied frame is made to accommodate the dimensions as illustrated on page 6.
2. Confirm that AC power has been run and is ready for connection to the window.
3. Check shipping carton for any shipping damage and remove window from the carton.
4. Check window for any shipping damage.
5. Once the application has been determined, check the daylight opening of the frame being used. The opening dimensions should be 24 1/4" wide x 34 1/2" high.
6. For a Fully-Automatic installation, check for the electrical hook-up. ***The AC electric should be installed directly from the breaker box (Load Center) to the window opening before the installation of the window.***
7. Using the paper mounting template, drill a quantity of 10, 1/4" diameter pilot holes for mounting. (See Figure 3) **OUTSIDE ONLY – DO NOT DRILL THROUGH THE FRAME.**

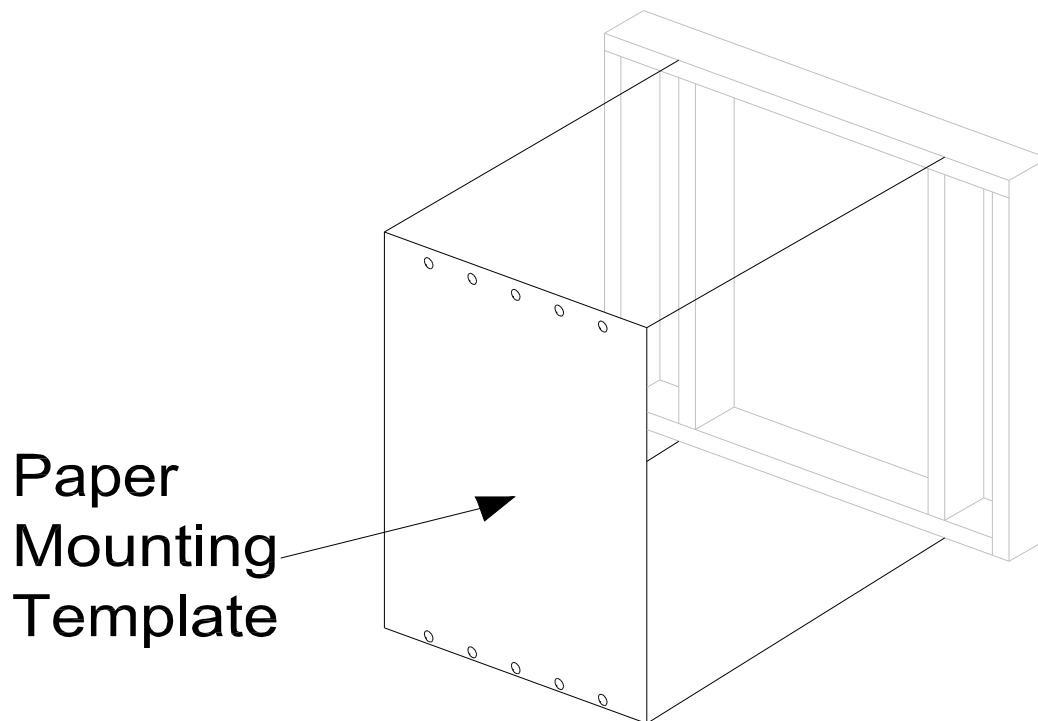


Figure 3

8. Remove the template and drill 10, 1/2" hole using the 1/4" pilot holes. **OUTSIDE ONLY – DO NOT DRILL THROUGH THE FRAME.**

9. For Semi-Automatic installations, Drill a 1" hole through the wall as illustrated in Figure 4. (The dimensions shown are from the inside of the building.)

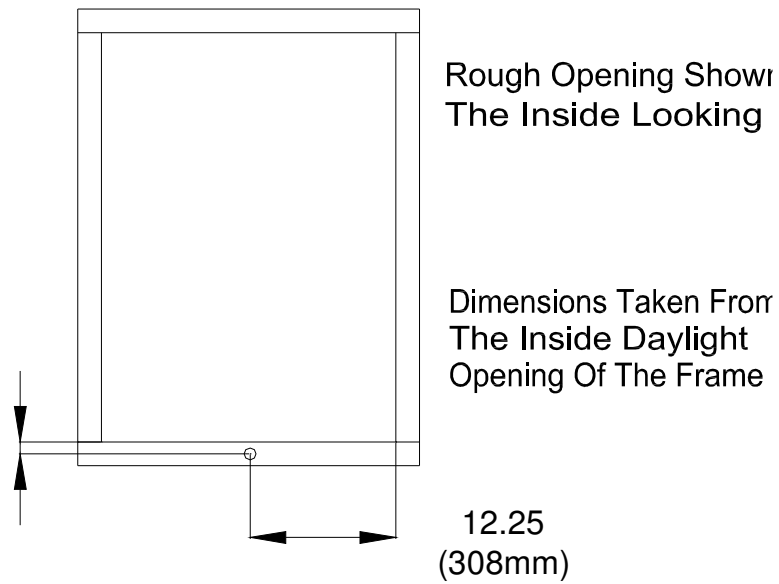


Figure 4

10. For Fully-Automatic, Drill a 1 1/2" hole through the wall as illustrated in Figure 4. (The dimensions shown are from the inside of the building.)

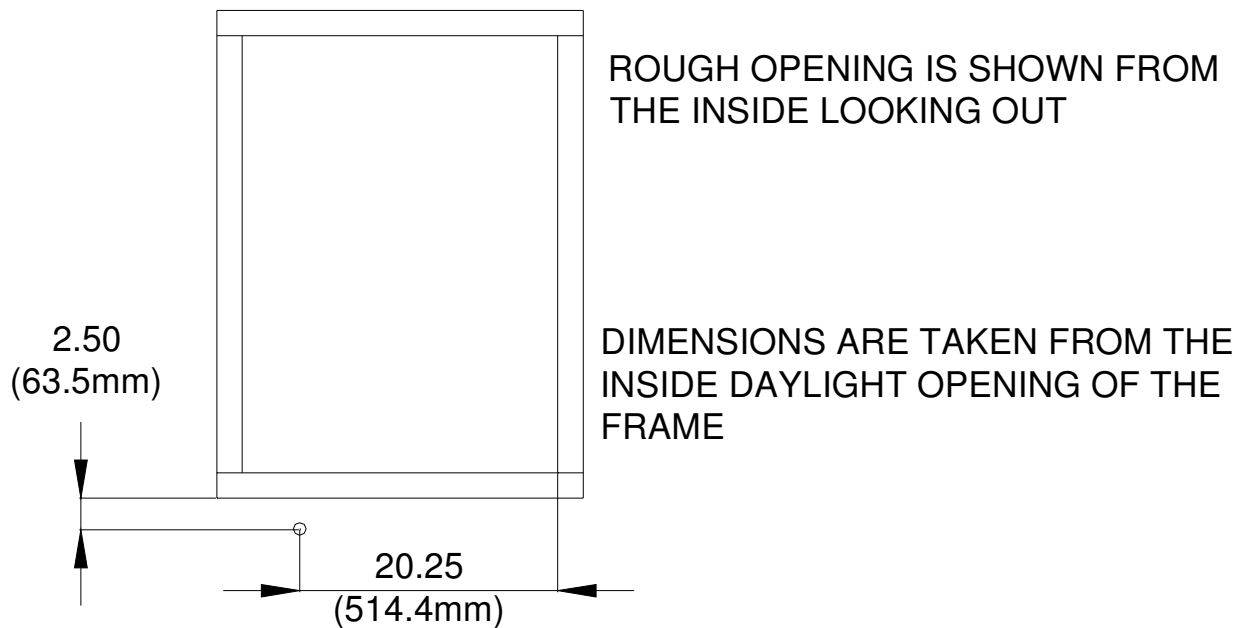


Figure 5

11. Requiring 2 people, remove Ready Access Window from carton and place on top of carton lid to prevent scratching.
12. Person number 1 should remove the bottom cover from the window and organize the mounting hardware.

Person number 2 should apply a bead of caulk to the outside surface of the building window frame. (Reference 1/2" drilled holes for mounting window.)

13. Requiring 2 people, stand window upright. With one person on each side of the window, lift the window into position, aligning the counter top with the building frame sill.

With one person holding the front of the window from falling forward, the other person from the inside will start inserting 5 of the well nuts with the washers and bolts through the inside top of the window into the building frame. (Figure 6)

(If mounting through wood, use lag bolts. If mounting to masonry, use mason anchors)

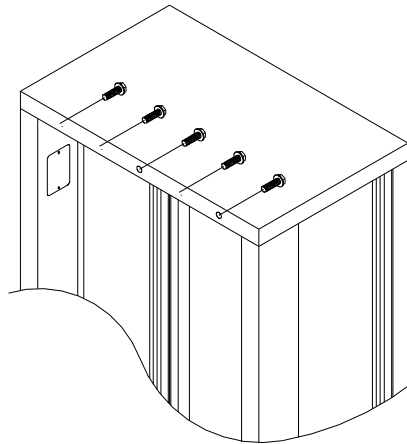


Figure 6

From the outside, insert the remaining 4 well nuts and fasten with the bolts and washers provided, through the bottom, underneath the counter, into the building frame.

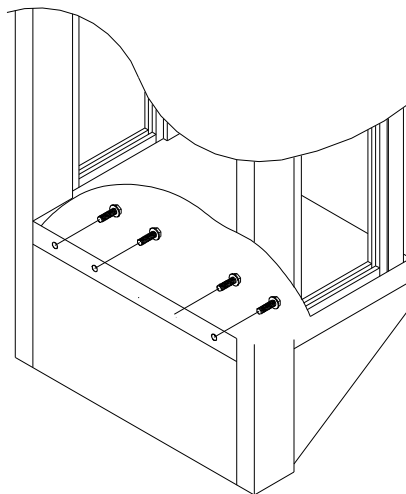


Figure 7

14. DO NOT TIGHTEN - Shim unit to be square and plum. Once this has been done, tighten mounting hardware.
15. When the window is fully secured, seal the outside of the window to the frame or building using silicone caulk.

Semi Automatic Instructions

Push Pad Assembly

1. Mount the guide block retainer to the interior side of the wall. (Figure 8)
2. From the inside, slide the push-pad assembly through the guide block into the bottom of the window. (Figure 9)
3. From the outside, underneath the window attach the push-pad shaft to the slide rider with the clevis pin and hitch pin. (Figure 10)
4. Test the unit by pushing on the push-pad. Secure the cover to the outside of the window.

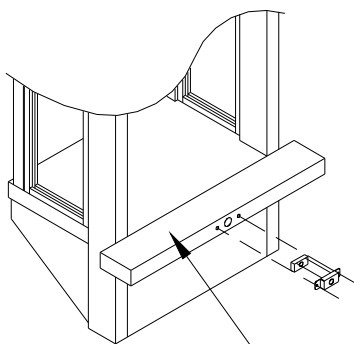


FIGURE 8

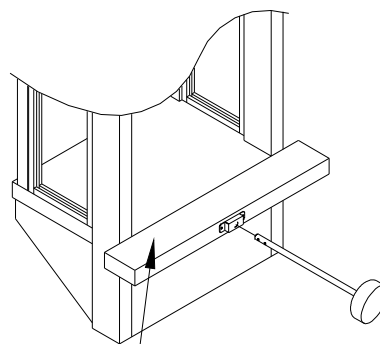


FIGURE 9

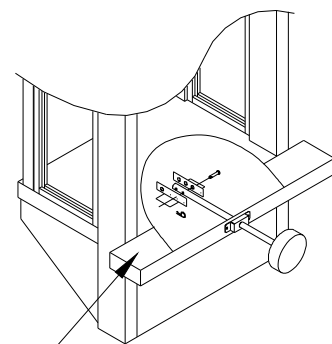


FIGURE 10

The mounting frame is pictured for the purpose of illustration only.
(IT IS NOT PART OF THE WINDOW.)

Fully-Automatic Instructions (BO2 & BO4 Only)

Electrical Installation

All power must be connected and wired by a **qualified electrician** and must be in compliance with all state and local codes.

The incoming AC power line must be connected to the receptacle located underneath the counter top. (Per Standard electrical code.) The green “grounding” wire is to be attached to the frame of the unit.

WARNING: Use only 110/120VAC – 60Hz source with a dedicated 15Amp circuit.
International power: 220/240VAC – 50/60Hz with a dedicated 8amp branch circuit.

WARNING: *This must be a dedicated circuit. Other electrical equipment must not share the same line from the 15Amp circuit breaker.*

WARNING: Turning off the front panel rocker switches does not remove the 110/120 volts of electrical power from the unit

WARNING: To disconnect the power completely from this unit, turn OFF the mechanical switch near the unit (Installed by an Electrician) or the electrical entry service panel/circuit breaker panel (Load Center) for this unit.

- **OSHA LOCK OUT – TAG OUT** procedures are to be observed to prevent power from being switched on accidentally.

1. Remove the screws holding on the front cover.
2. Wire the AC source line to the receptacle located underneath the window countertop.
(See Figure 11)

Receptacle

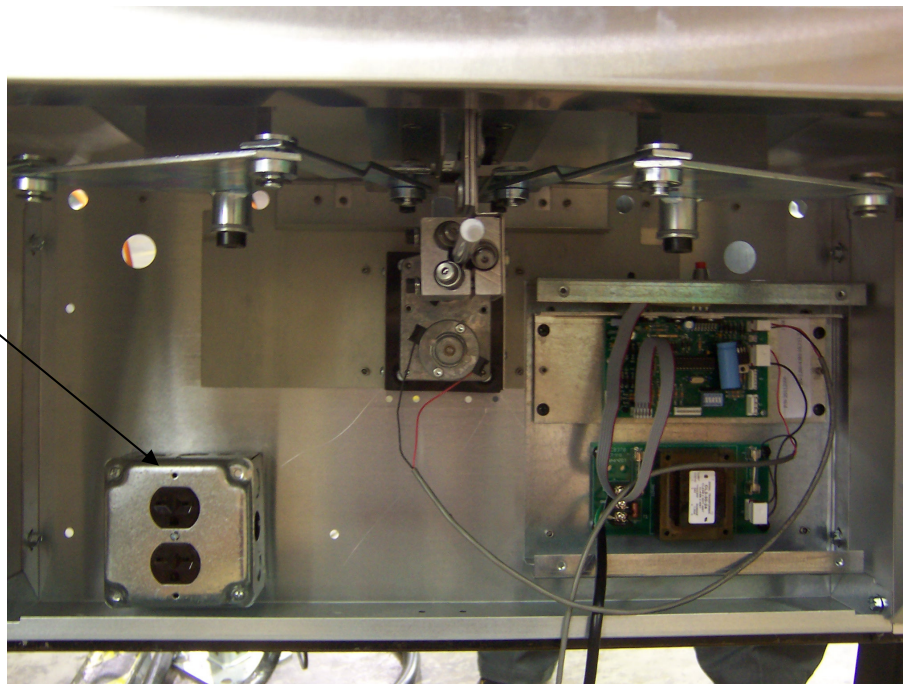


Figure 11

Mounting Electric Eye Housing

1. Position eye housing on the interior wall covering the 1-1/2" hole drilled through for electric cable passage way.
2. Align the wall mounting brackets on inside finished wall. Use as a template to scribe holes for drilling 1/4" holes for plastic mounting anchors
3. Drill 4 - 1/4" (6.5mm) holes using the masonry drill bit.
4. Insert the plastic anchors and mount the brackets with the #10 or #12 screws.
5. Attach electric eye mounting channel to the wall mounting brackets with the (4) 8-32 x 1/2" screws provided
6. Attach the sensor to the brackets and secure.
7. Take electric eye cable and pass through 1" hole into the bottom of the window unit and connect to the cable marked "ELEC.EYE".
8. Assemble plastic electric eye housings to the electric eye mounting channel.

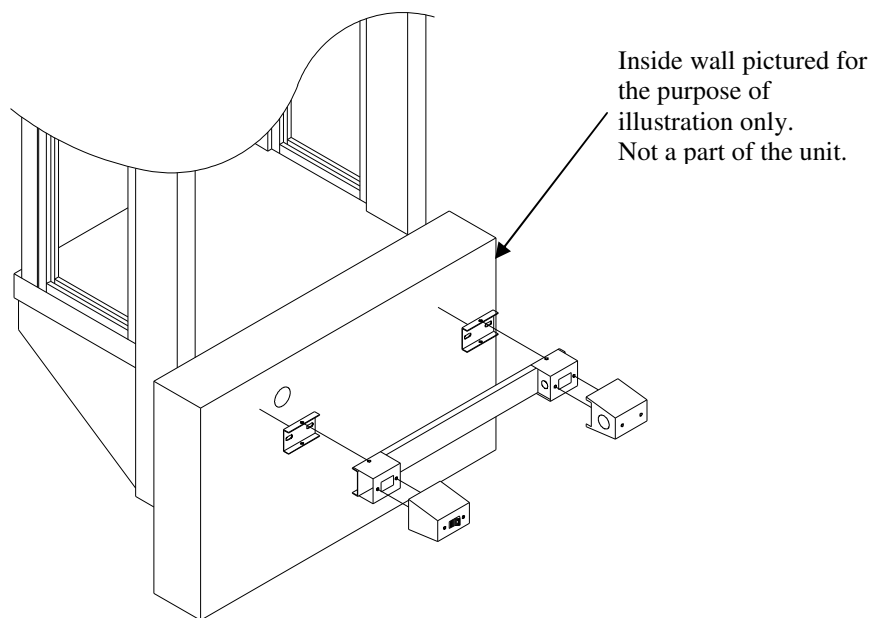


Figure 12

9. Turn "ON" the power to the unit. (Load center circuit breaker and power switch on the "Control unit".
10. Test window operations. See "Testing Procedures".

Initial Window Operation

Testing Procedures Semi Automatic Operations

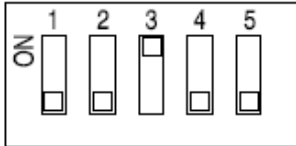
Action	Reaction
Press your hip against the push-pad cushion and push into the window.	The doors will open
When you step away from the push-pad	The doors will self-close and the push-pad will extend back into position.

Fully - Automatic Operations (Electric)

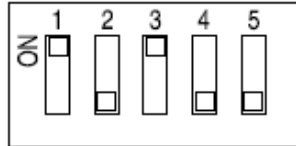
Action	Reaction
Turn the power " OFF " at the rocker switch located on the controller unit. Manually open and close the doors several times.	When the doors are opening, the "MOTOR RUN" lamp will illuminate green. When the doors are closing, "MOTOR RUN" lamp will illuminate red. The "POWER" lamp must illuminate during both operations. If neither of these lamps illuminate during any of the processes, proceed to the "Troubleshooting" section.
Turn the power " ON " at the rocker switch located on the controller unit. Break the electric eye beam to open the door.	The doors will open to an 18" (457.2mm) opening.
With the power " ON " break the electric eye beam momentarily to open and close the doors.	The doors will open. They will remain in the open position for either approximately 3.0 seconds before closing NOTE: The DC-3 PCB allows for longer close delay times (See the Adjustments and Calibration Section)
With the power " ON " break the electric eye beam momentarily to open and close the doors. Insert an object at least 4" (101.6mm) wide between the doors as they are closing.	The doors will automatically reverse their action (the doors will open), when an object is caught between or restricting the closing of the doors.

CLOSE DELAY TIMER INFORMATION

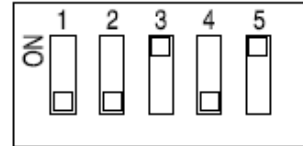
The close delay timer is used to adjust the amount of time that the door will stay open after stepping out of the sensor range. The factory preset is 3 seconds. The range of setting is from 0 to 45 seconds. If the close delay button is activated on the control panel, this time will be doubled. Example: Timer setting is 5 seconds, press close delay button and the new time is 10 seconds. Press the close delay button again and the time is restored back to 5 seconds. The following diagrams are examples of timer settings:



Equals 3 second delay

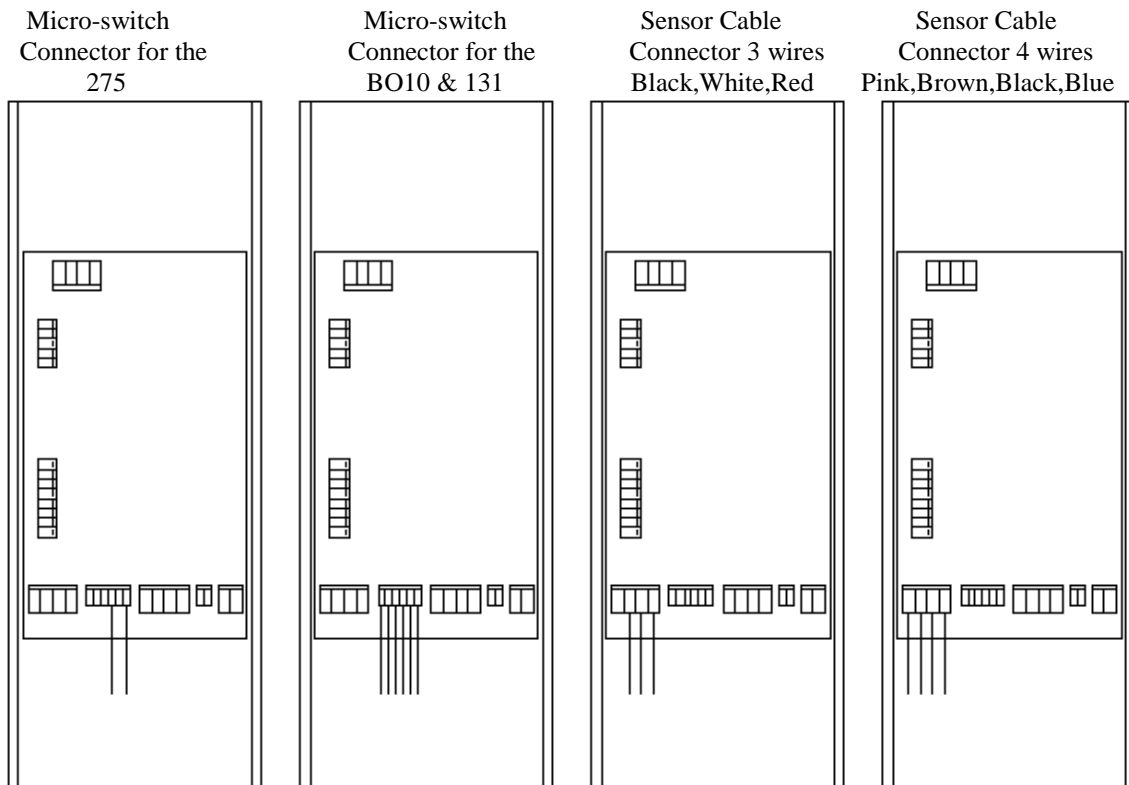


Equals 13 second delay



Equals 35 second delay

THE FOLLOWING WIRING DIAGRAMS ARE FOR REFERENCE FOR THE DIFFERENT MODELS OF READY ACCESS PASS THRU WINDOWS.



3 Wire Instruction:

Connect wires for eye to wires on eye cable

<u>Eye</u>	<u>Eye Cable</u>
Brown	Black
Black	White
Pink/Blue	Red

Operation Procedures

Modes of Operation:

The BO-2 and BO-4 windows have two modes of operation, Semi-Automatic and Automatic.

Semi-Automatic Operations

Press your hip against the push-pad cushion and push into the window. The doors will open. When you step away from the push-pad, the doors will self-close and extend the push-pad back into position.

Fully-Automatic Operations

The **Manual Mode** is reached by turning “OFF” the main power to the window. The opening and closing of the window is done by hand (**DO NOT OPEN OR CLOSE THE DOORS WITH ANY UNDUE FORCE**)

The **Automatic Mode** is reached by turning “ON” the main power to the window. Stepping in and out of the sensor’s range opens and closes the doors.

Operations

After installation of the Bump-Out model Semi-Automatic or Electric Sliding window, completion of the testing procedures and the installation of the decorative covers, the window is ready for normal use

Semi – Automatic

1. Using your hip. Lean in on the orange push pad. And then step aside.
2. The doors should open and close smoothly.
3. If the doors do not operate correctly, go to the troubleshooting guide in this manual. If the doors still do not operate properly, then call Ready Access at

1-800-621-5045

Electric (Fully – Automatic)

1. On the controller unit, turn the power rocker switch to the “ON” position.
2. Check that the red portion of the rocker switch is visible and that the red power lamp is illuminated
3. Break the electronic eye beam or step into the sensor beam path.
4. Step out of the beam path and wait 3 to 6 seconds for the doors to close.
5. If the doors do not operate correctly, go to the troubleshooting guide in this manual. If the doors still do not operate properly, then call Ready Access at

1-800-621-5045

NOTE: Turn the power off to the window to prevent any damage to the PCB.

Each operator must read the operations manual before operating the unit.

Maintenance

Maintenance Schedule

Scheduled maintenance should be performed on a regular basis. This is to assure proper operation and performance of the Bump-Out windows.

Daily

- Check the sill for foreign materials and/or syrup. (Anything that might cause the window to bind up and not operate smoothly.)

Monthly

Follow safety procedures before opening the unit.

- Check the interior of the unit for any build up of any foreign materials using a dry cloth.

NOTE: KEEP ANY LIQUIDS OFF THE INTERIOR COMPONENTS.

- Clean moving parts and lubricate with silicone or Teflon spray.

NOTE: DO NOT LUBRICATE THE DRIVE SHAFT OR LINEAR ACTUATOR.

NOTE: Do NOT use grease or oils. **NOTE: DO NOT LUBRICATE THE DRIVE SHAFT OR LINEAR ACTUATOR.**

Semi Annual (6 Months)

- Check the front cover and side panels to ensure that they are not rubbing on the moving mechanism.
- Check the lock bar and door locks. Inspect for missing parts and smooth operations
- Lubricate the locks with silicone.
- Inspect the hinges and bushings for any wear or damage.
- Inspect the weather stripping around the doors for wear or damage.
- Check the setscrews on the locking plate to ensure that they are tight and properly aligned with the locking plate.
- Inspect all the bolts on the slide to make sure that they are in place.
- Check all the "Tru-arc" retaining rings to make sure that they are in place.
- Lubricate all the linkage and pivot points with silicone.

Yearly

- Have a service technician come in and perform a maintenance check on the unit.

IF NEEDED, CONTACT YOUR READY ACCESS SERVICE AGENT FOR SERVICE.

SERVICE

Troubleshooting Guide Semi Automatic

Issue	Probable Cause	Resolution
The doors do not open.	<ul style="list-style-type: none"> • Broken Hinge 	<ul style="list-style-type: none"> • Replace Hinge
	<ul style="list-style-type: none"> • Tru-Arc retaining ring popped off 	<ul style="list-style-type: none"> • Check for missing or broken Tru-Arc Ring • Reattach or replace the ring
	<ul style="list-style-type: none"> • Push Pad assembly not connected 	<ul style="list-style-type: none"> • Check for a missing or broken clevis or hinge pin • Reattach or replace the pin
Only one door opens and the other door goes in the opposite direction.	<ul style="list-style-type: none"> • Roller bearing on the top of the doors broken or fell off 	<ul style="list-style-type: none"> • Check the roller bearing • Repair or replace
Door binds when trying to open.	<ul style="list-style-type: none"> • Door hinges are no longer square 	<ul style="list-style-type: none"> • Repair or replace the hinges
	<ul style="list-style-type: none"> • Unit may have been hit by a car 	<ul style="list-style-type: none"> • Inspect the counter top • Replace if damaged
Doors hang loose.	<ul style="list-style-type: none"> • Shoulder screws have come loose and fallen off the hinges 	<ul style="list-style-type: none"> • Check for the shoulder screws being in place • Repair or replace as needed
Doors do not close.	<ul style="list-style-type: none"> • The pull back spring has come loose or broke 	<ul style="list-style-type: none"> • Check for mounting hardware • Reattach or replace the pull-back spring
Doors slam shut.	<ul style="list-style-type: none"> • Pneumatic closer worn out 	<ul style="list-style-type: none"> • Adjust the screw on the end of the closer • Replace if needed

SERVICE

Troubleshooting Guide Fully Automatic

Issue	Probable Cause	Resolution
When the beam is broken, the doors do not open.	<ul style="list-style-type: none"> • Defective motor assembly 	<ul style="list-style-type: none"> • Replace the motor assembly
	<ul style="list-style-type: none"> • Dirty drive shaft 	<ul style="list-style-type: none"> • Clean the drive shaft. It must be free from dirt and lubricants
	<ul style="list-style-type: none"> • Broken Hinge 	<ul style="list-style-type: none"> • Replace Hinge
	<ul style="list-style-type: none"> • Tru-Arc retaining ring popped off 	<ul style="list-style-type: none"> • Check for missing or broken Tru-Arc Ring. • Reattach or replace the ring
	<ul style="list-style-type: none"> • Linear actuator is slipping 	<ul style="list-style-type: none"> • Clean shaft and adjust tension from the block
	<ul style="list-style-type: none"> • Dirty or defective electric eye <ul style="list-style-type: none"> ➤ Dirt or other material is blocking eye ➤ Defective electric eye 	<ul style="list-style-type: none"> ➤ Clean the dirt off the eye and reflector ➤ Replace the electric eye
	<ul style="list-style-type: none"> • Defective PCB Assembly 	<ul style="list-style-type: none"> • Replace the PCB Assembly
Only one door opens and the other door goes in the opposite direction.	<ul style="list-style-type: none"> • Roller bearing on the top of the doors broken or fell off 	<ul style="list-style-type: none"> • Check the roller bearing • Repair or replace
Door binds when trying to open.	<ul style="list-style-type: none"> • Door hinges are no longer square 	<ul style="list-style-type: none"> • Repair or replace the hinges
	<ul style="list-style-type: none"> • Unit may have been hit by a car 	<ul style="list-style-type: none"> • Inspect the counter top • Replace if damaged
Doors hang loose.	<ul style="list-style-type: none"> • Shoulder screws have come loose and fallen off the hinges 	<ul style="list-style-type: none"> • Check for the shoulder screws being in place • Repair or replace as needed
Unit works intermittently.	<ul style="list-style-type: none"> • Defective PCB Assembly 	<ul style="list-style-type: none"> • Replace the PCB Assembly
Doors open as soon as the switch is turned "ON".	<ul style="list-style-type: none"> • Bad connection to the electronic eye 	<ul style="list-style-type: none"> • Check and tighten connectors
	<ul style="list-style-type: none"> • Bad PCB Assembly 	<ul style="list-style-type: none"> • Replace PCB Assembly

SERVICE

Troubleshooting Guide Fully Automatic

Issue	Probable Cause	Resolution
Power switch in the "ON" position but the light is not illuminated.	<ul style="list-style-type: none"> • No power to the controller unit <ul style="list-style-type: none"> ➤ Main Circuit breaker is defective or not "ON" ➤ The fuse on the power supply is blown ➤ Main power rocker switch is defective ➤ AC wiring is defective 	<ul style="list-style-type: none"> ➤ Reset or replace the main circuit breaker in the load center ➤ Replace the fuse on the power supply ➤ Test rocker switch with an ohmmeter. Replace if necessary ➤ Check AC wiring for opens. Replace if necessary
	<ul style="list-style-type: none"> • Red Lamp/s not illuminating 	<ul style="list-style-type: none"> • Replace the switch
	<ul style="list-style-type: none"> • The 4 pin power connector to the main PCB assembly is not secure 	<ul style="list-style-type: none"> • Secure the connector/s to the power supply
	<ul style="list-style-type: none"> • The connector/s to the rocker switch are not secure 	<ul style="list-style-type: none"> • Secure the connector/s to the rocker switch
Motor runs but the doors will not open or close.	<ul style="list-style-type: none"> • Linear actuator is slipping 	<ul style="list-style-type: none"> • Clean shaft and adjust tension from the block
Doors do not close completely.	<ul style="list-style-type: none"> • There is dirt and/or lubricant on the drive shaft or linear actuator 	<ul style="list-style-type: none"> • Clean the drive shaft and actuator
	<ul style="list-style-type: none"> • The linear actuator is loose 	<ul style="list-style-type: none"> • Tighten the linear actuator

Parts Lists

Complete Parts List (Description/Part Number) – Common to both model windows

Description	Current Part Number	Previous Part Number	Status	Note
"J"-NUT KIT BO SERIES	85078900	65078901	Current	
Cable - Motor	20112150	N/A	Current	
Cable - Power	20112149	N/A	Current	
Ceiling Tile	85077700	65077701	Current	
Clevis Pin for Push Rod Assy	10300003	N/A	Current	
Coupling	00651100	N/A	Current	
Cover - Front - Bronze	85065801	65065801	Current	
Cover - Front - Clear	85065802	65065802	Current	
Door Handle (order in eachs)	95064401	65064401	Current	
Drive Shaft Kit BO-1,2,4 E	85104100	65104101	Current	
Electric Eye Assy - BO-1,2,4	85040000	65240001	Current	
Electric Eye/Reflector Kit	85000200	00651144	Current	Waist level operation
Center Stop - Door BO-2 L/O	85079100	65079101	Current	
Hitch Pin Clip for Push Rod Assy	10300004	N/A	Current	
Linear Actuator Kit	85000500	20110043	Current	
Linkage - Straight	95062200	65062201	Current	
Linkage Nyliner & Retaining Ring	85000400	N/A	Current	
Linkage Pan Assy – BO-2	85098000	65098001	Current	
Linkage Pan Assy – BO-4	85098500	N/A	Current	
Linkage Plate Assy (Triangle Shape)	95061800	65061801	Current	
Lock - Top (1 each) SMALL Doors	85088200	65088201	Current	
Lock Bar - Bottom - Bronze	85078301	65078301	Current	
Lock Bar - Bottom - Clear	85078302	65078302	Current	
Lock Bar – Bottom Powder Painted	85078303	N/A	Current	
Locking Plate	95061900	65061901	Current	
Motor DC - After 8/99	85003700	N/A	Current	
MOTOR REPAIR KIT BO-1,2,4 E	85138700	65138701	Current	
Pan Slide Sub Assy - BO-2,4	85097800	65097801	Current	

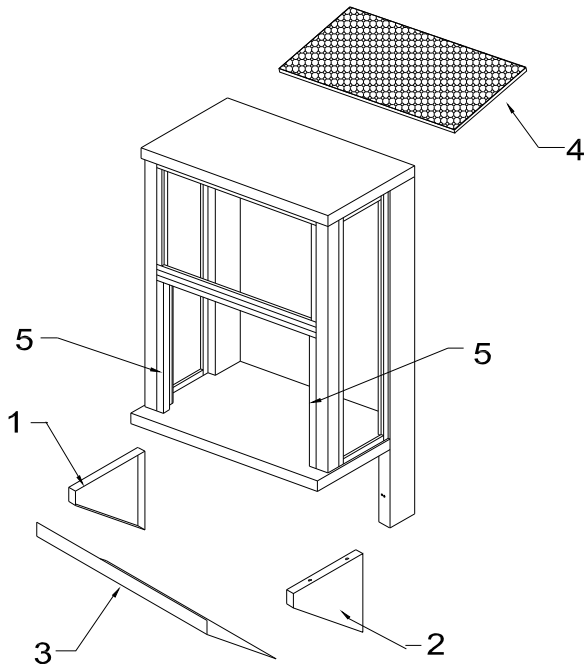
Description	Current Part Number	Previous Part Number	Status	Note
Panel - L/H - Bronze BO-2,4	85065601	65065601	Current	
Panel - R/H - Bronze BO-2,4	85065602	65065602	Current	
Pneumatic Closer	85134100	65134101	Current	
Power Supply Int'l , BO,2,4, Int'l	85001600	N/A	Current	
Power Supply, BO-,2,4,	85001300	N/A	Current	
POWER SWITCH - BO-1, BO-2, BO-4	85002800	N/A	Current	
Push Pad SEMI AUTO	85077900	65077901	Current	
Push Rod Assy - 16" LG / BO-1,2,4	85078016	65078001	Current	
Push Rod Assy - 22" LG / BO-1,2,4	85078022	65078022	Current	
Push Rod Assy - 30" LG / BO-1,2,4	85078030	65078030	Current	
Push Rod Assy - 38" LG / BO-1,2,4	85078038	65078038	Current	
Rocker Switch for PCBA Cover	20110214	N/A	Current	8/99 BO,2,4 after 2/27/02
Rollers - Top Track (2 doors w/blocks)	85089300	65089301	Current	
Screw Kit - Shoulder Screw - BO-2,4	85103800	65103801	Current	
Spring & Ball Knob Kit (3 ea. kit)	85000300	00650284	Current	
Spring - Extension (for top track)	20060017	N/A	Current	
Spring Kit - Extension - BO-2,4	85103700	65103701	Current	
Striker Angle - Top Lock	65023701	N/A	Current	
Top Track Kit BO-2,4	85073800	65073801	Current	
Universal Control Board	85002001	N/A	Current	
Weather Strip Kit - BO-2,4,10, 275	85104000	65104001	Current	

Model Specific Parts (BO-2)

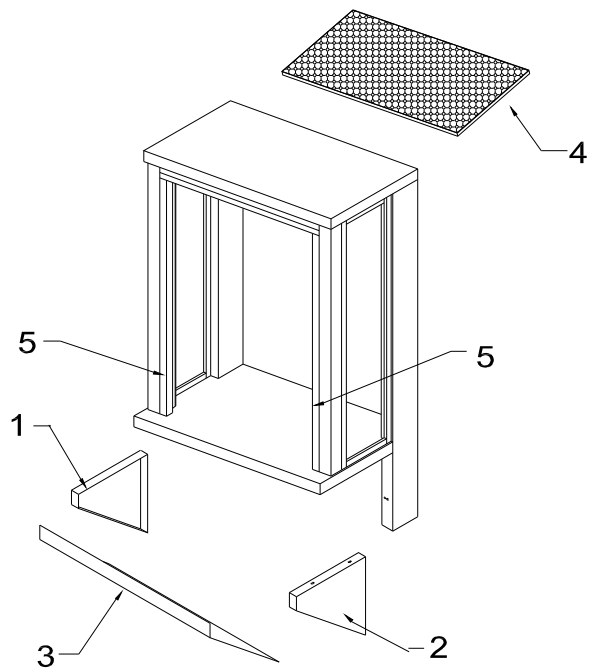
Description	Current Part Number	Previous Part Number	Status	Note
Door Assy - L/H - Bronze - BO-2	85078701	65078701	Current	
Door Assy - L/H - Clear- BO-2	85078703	65078703	Current	
Door Assy - R/H - Bronze - BO-2	85078702	65078702	Current	
Door Assy - R/H - Clear - BO-2	85078704	65078704	Current	
Hinge bushing - Bronze	20010008	N/A	Current	
Hinge Cover - Bronze	85058401	65058401	Current	
Hinge Cover - Clear (BO-2)	85058402	65058402	Current	
Hinge w/lock Plate BO-2	85094500	65094501	Current	
Mounting Block - Upper Hinge - Bronze	65108001	20220011	Current	
Mounting Block - Upper Hinge - Clear	65108002	20220011	Current	
Upper Hinge Bearing (Door Guide)	00651271	N/A	Current	

Model Specific Parts (BO-4)

Description	Current Part Number	Previous Part Number	Status	Note
Door Assy - L/H - Bronze - BO-4	85067401		Current	
Door Assy - L/H - Clear- BO-4	85067403		Current	
Door Assy - R/H - Bronze - BO-4	85067402		Current	
Door Assy - R/H - Clear - BO-4	85067404		Current	
Hinge bushing- Bronze	20010005	N/A	Current	
Hinge Cover - Bronze	85058501		Current	
Hinge Cover - Clear (BO-2)	85058502		Current	
Hinge w/lock Plate BO-2	95069000		Current	
Mounting Block - Upper Hinge - Bronze	65108101		Current	
Mounting Block - Upper Hinge - Clear	65108102		Current	



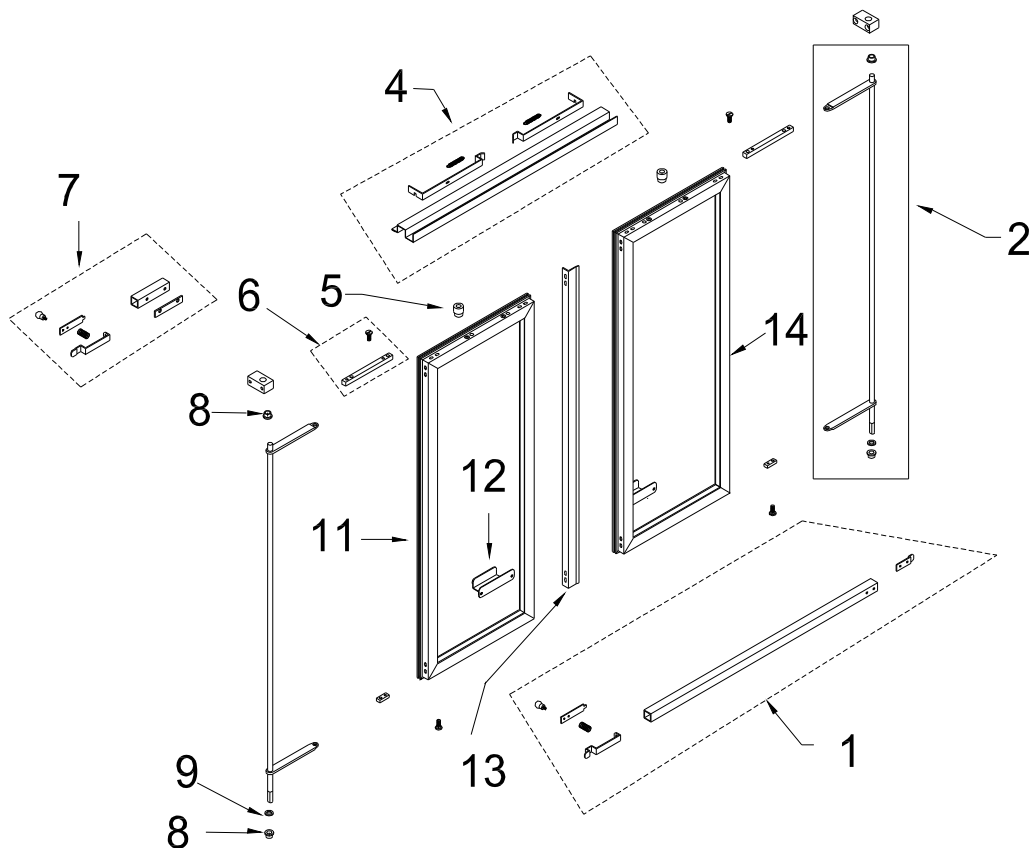
BO-2



BO-4

REF ID #	PART NUMBER	DESCRIPTION	REF ID #	PART NUMBER	DESCRIPTION
1	85065601	Panel L/H BRZ	3	85065801	Panel Front BRZ
1	85065701	Panel L/H CLR	3	85065802	Panel Front CLR
2	85065602	Panel R/H BRZ			
2	85065702	Panel R/H CLR			

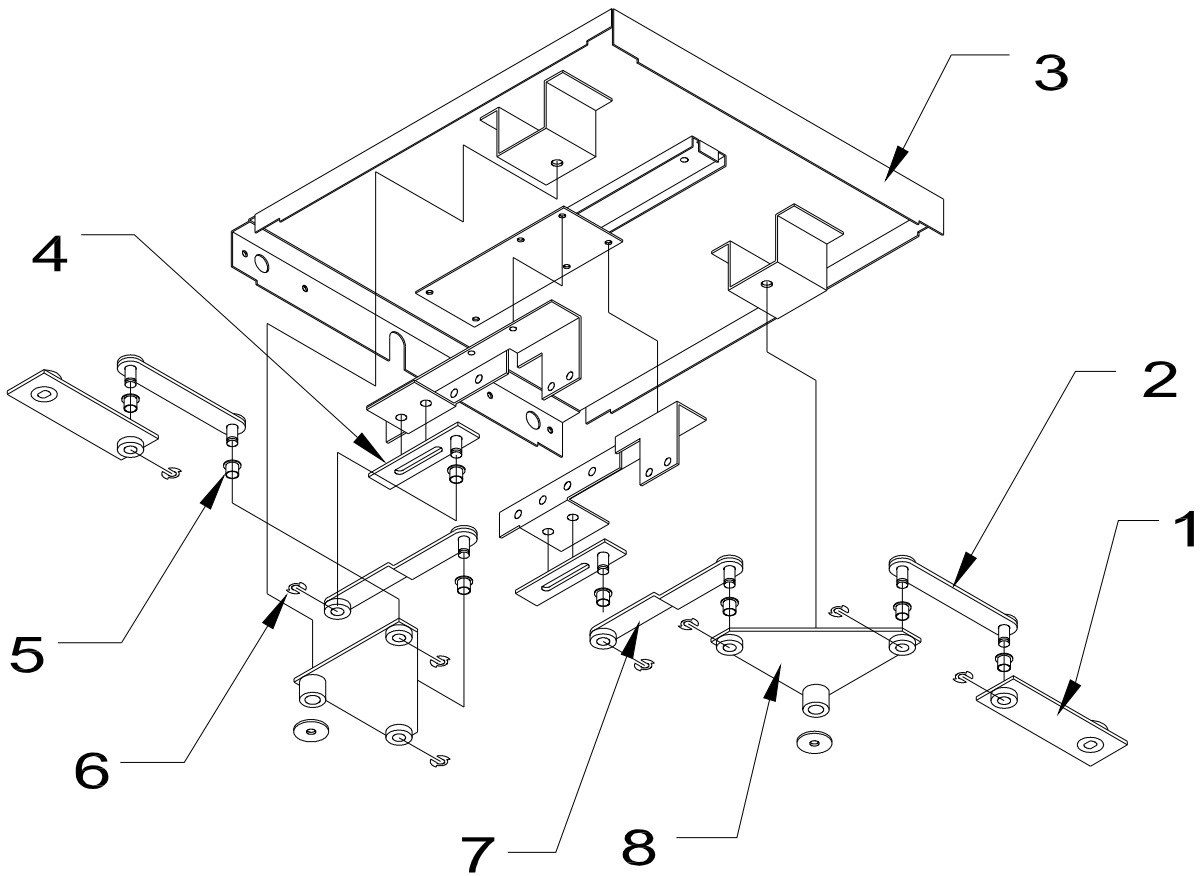
Model Specific Parts					
BO-2			BO-4		
5	85058401	Hinge Cover BRZ	5	85058501	Hinge Cover BRZ
5	85058402	Hinge Cover CLR	5	85058502	Hinge Cover CLR



REF ID #	PART NUMBER	DESCRIPTION	REF ID #	PART NUMBER	DESCRIPTION
1	85078301	Lock Bar Assy BR	6	85103800	Shoulder Screw Kit (4 Screws / 4 blocks)
1	85078302	Lock Bar Assy CL	7	85088200	Top Lock Assembly
4	85073800	Top Track Assembly	12	95064401	Handle
5	85089300	Roller – Top Track			

Model Specific Parts

BO-2			BO-4		
2	85094500	Hinge Assembly	2	85067500	Hinge Assembly
9	20200062	Hinge Spacer	9	10230102	Hinge Spacer
8	20010008	Upper/ Lower Hinge Bearing	8	20010005	Upper/ Lower Hinge Bearing
11	85078701	Door Assy L/H BRZ	11	85067401	Door Assy L/H BRZ
11	85078703	Door Assy L/H CLR	11	85067403	Door Assy L/H CLR
13	85079100	Center Stop	13	65068101	Center Stop
14	85078702	Door Assy R/H BRZ	14	85067402	Door Assy R/H BRZ
14	85078704	Door Assy R/H CLR	14	85067404	Door Assy R/H CLR



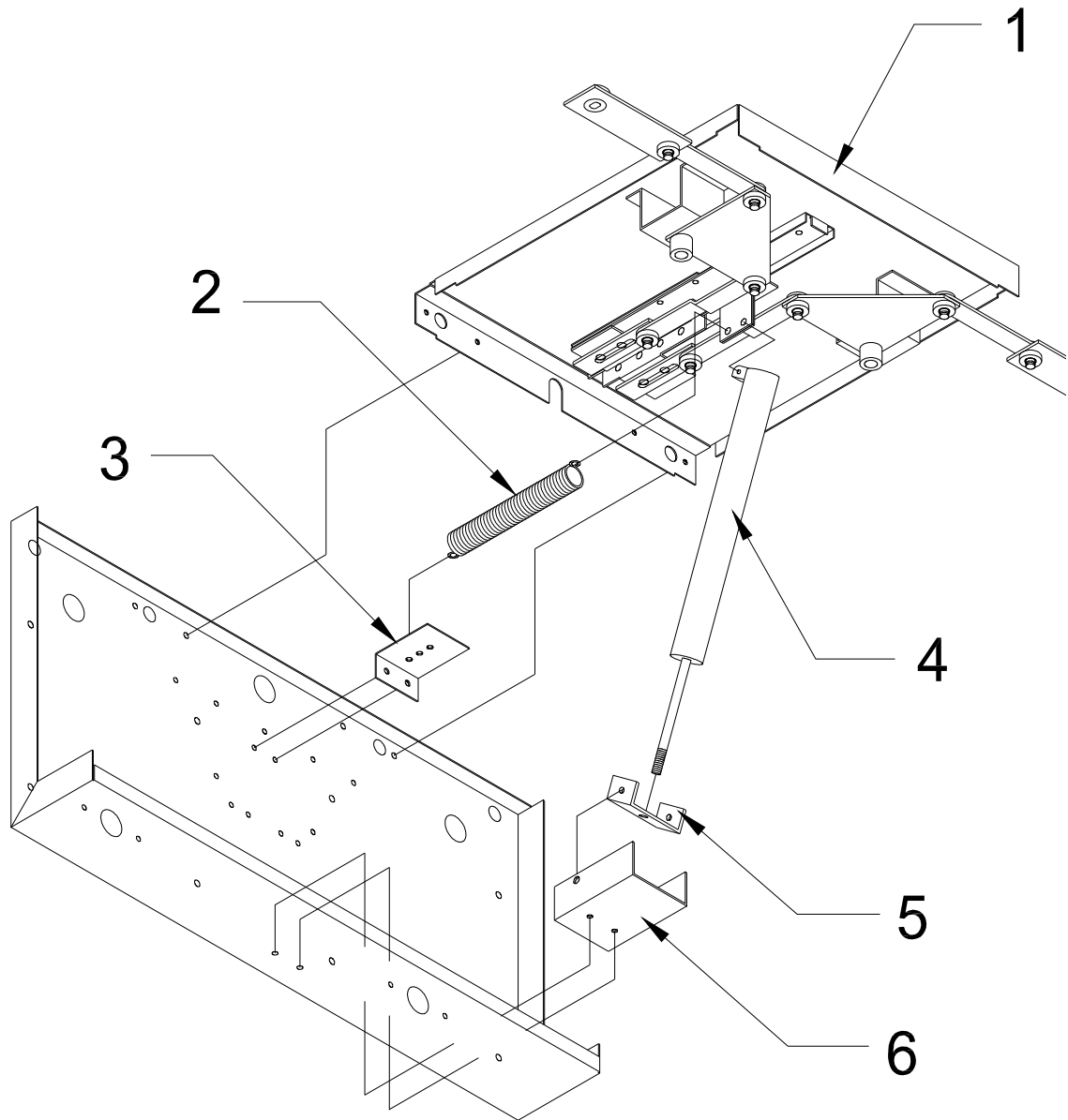
PAN AND LINKAGE ASSEMBLY

Part Number- BO-2 – 85098000

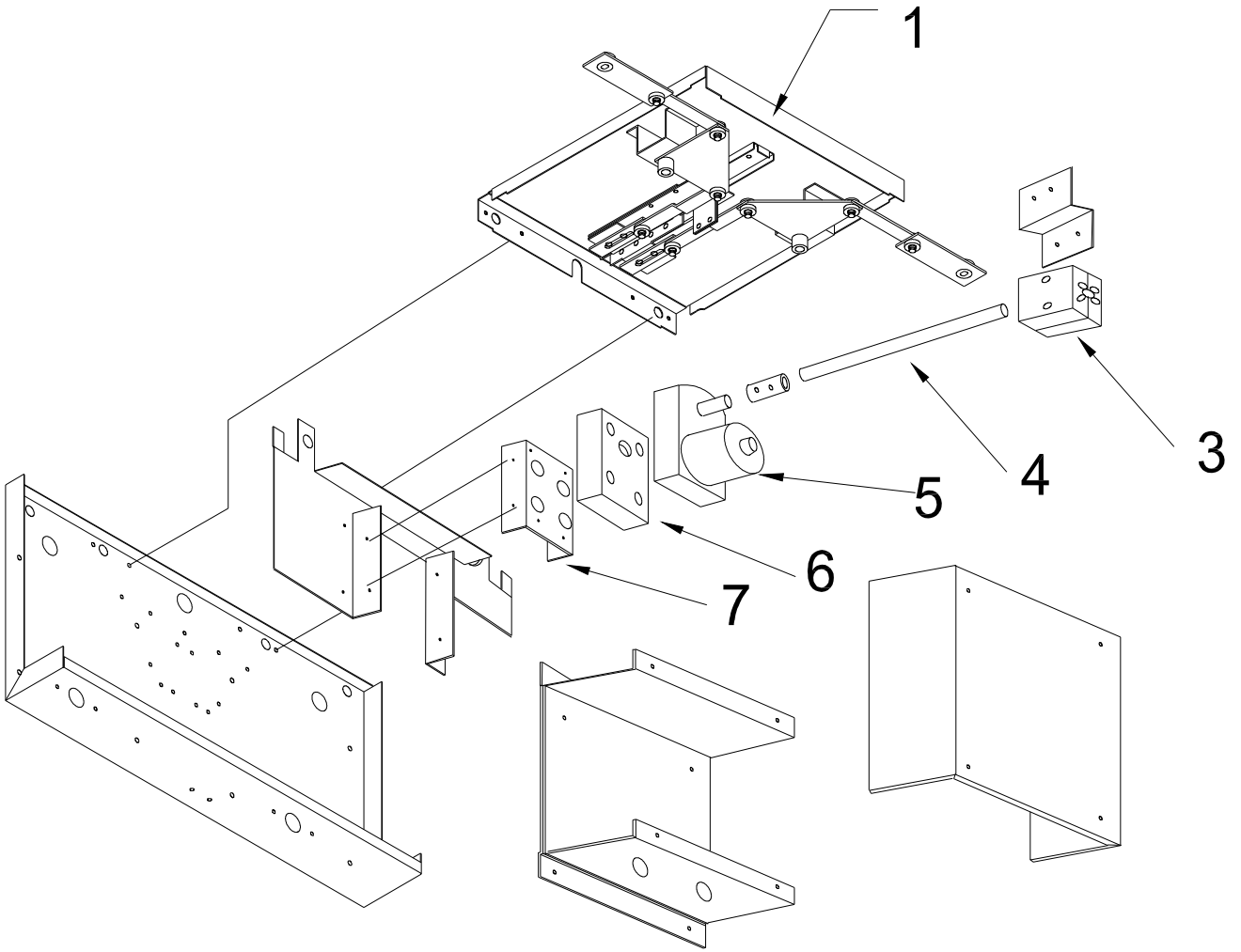
Part Number – BO-4 - 85098500

REF ID #	PART NUMBER	DESCRIPTION	REF ID #	PART NUMBER	DESCRIPTION
1	95061900	BO-2 Locking Plate Assembly	5	**	Nylon Sleeve Bearing
1	95069000	BO-4 Locking Plate Assembly	6	85000400	Tru-Arc Retaining Ring
2	95062200	Straight Linkage	7	95062100	Offset Linkage
3	85097800	Slide Sub-Assembly	8	95061800	Linkage Plate
4	95062000	Linkage Mounting Plate			

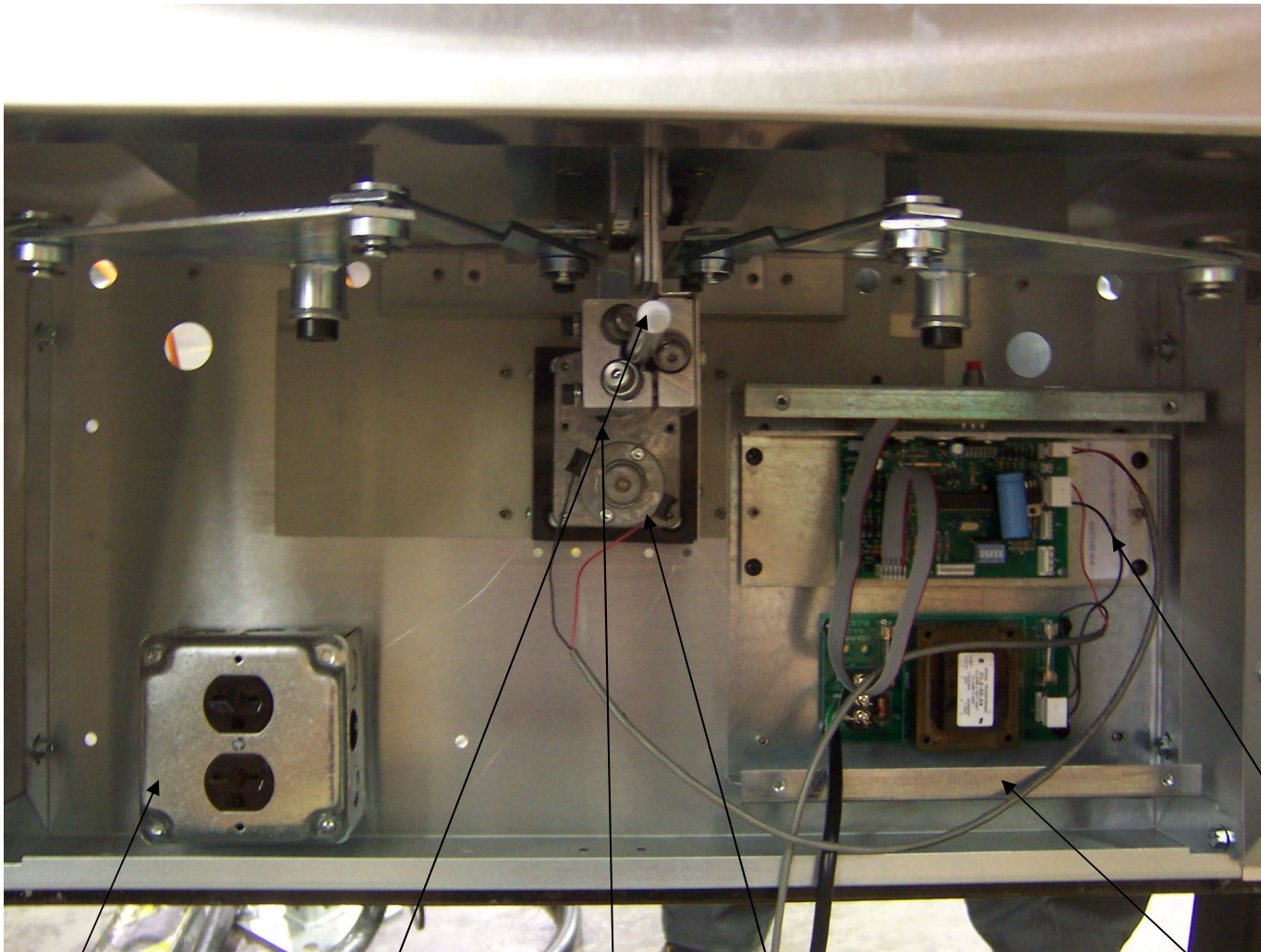
** Order – Bearing / Linkage Nyliner Retaining Ring Kit # 85000400



REF ID #	PART NUMBER	DESCRIPTION	REF ID #	PART NUMBER	DESCRIPTION
1	85098000	Pan and Linkage Assembly – BO-2	4	85134100	Pneumatic Closer
1	85098500	Pan and Linkage Assembly – BO-4	5	65063101	Closer Pivot Bracket
2	85103700	Extension (Pull Back) Spring	6	65063201	Closer Pivot Support
3	65064001	Spring Mount Angle			



REF ID #	PART NUMBER	DESCRIPTION	REF ID #	PART NUMBER	DESCRIPTION
1	85098000	Pan & Linkage Assembly – BO-2		**	Coupling
1	85098500	Pan & Linkage Assembly – BO-4	5	85003700	Motor (Only DC available)
3	85000500	Linear Actuator			
4	85104100	Drive Shaft			



Duplex
Receptacle

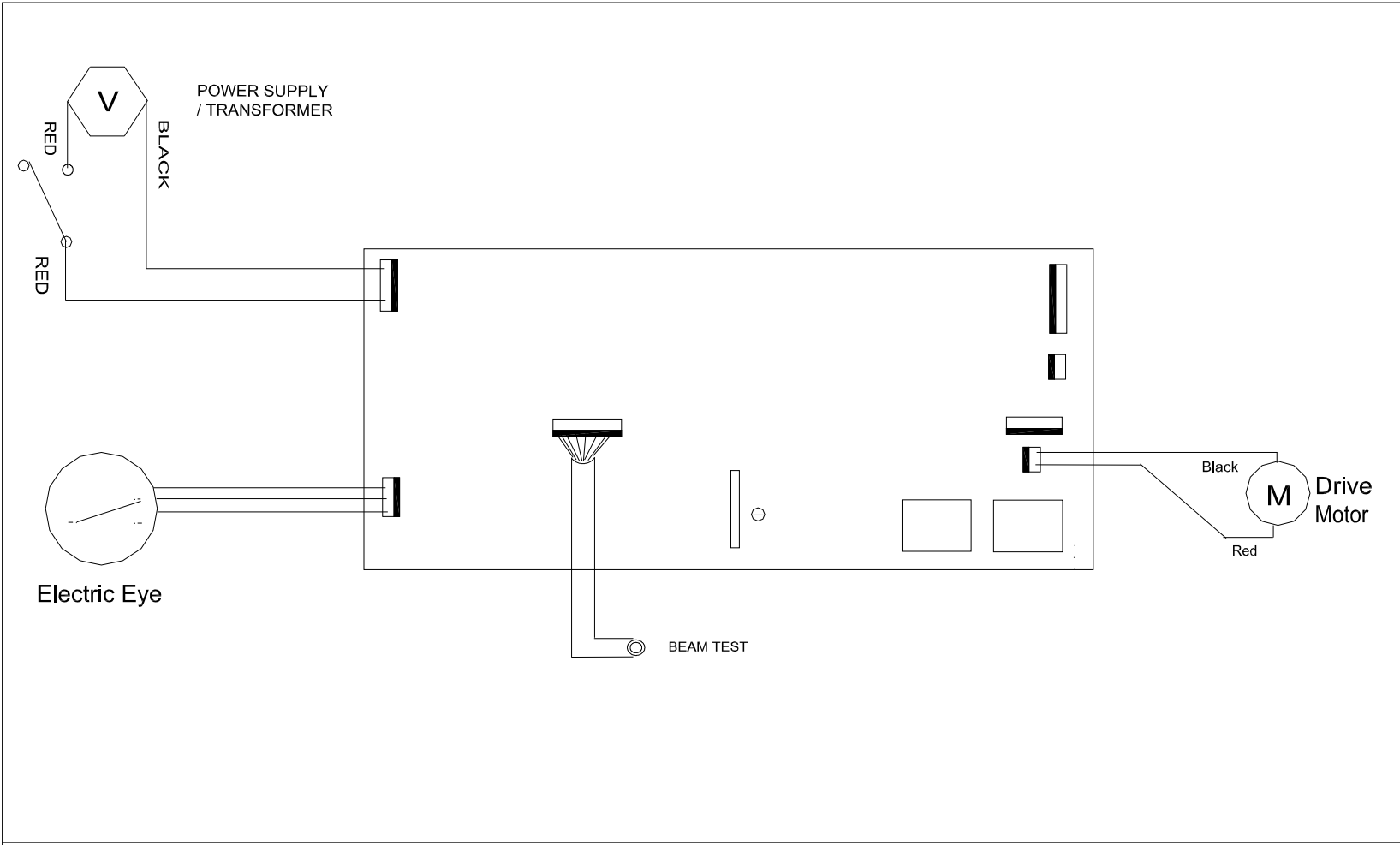
Drive Shaft


Linear Actuator

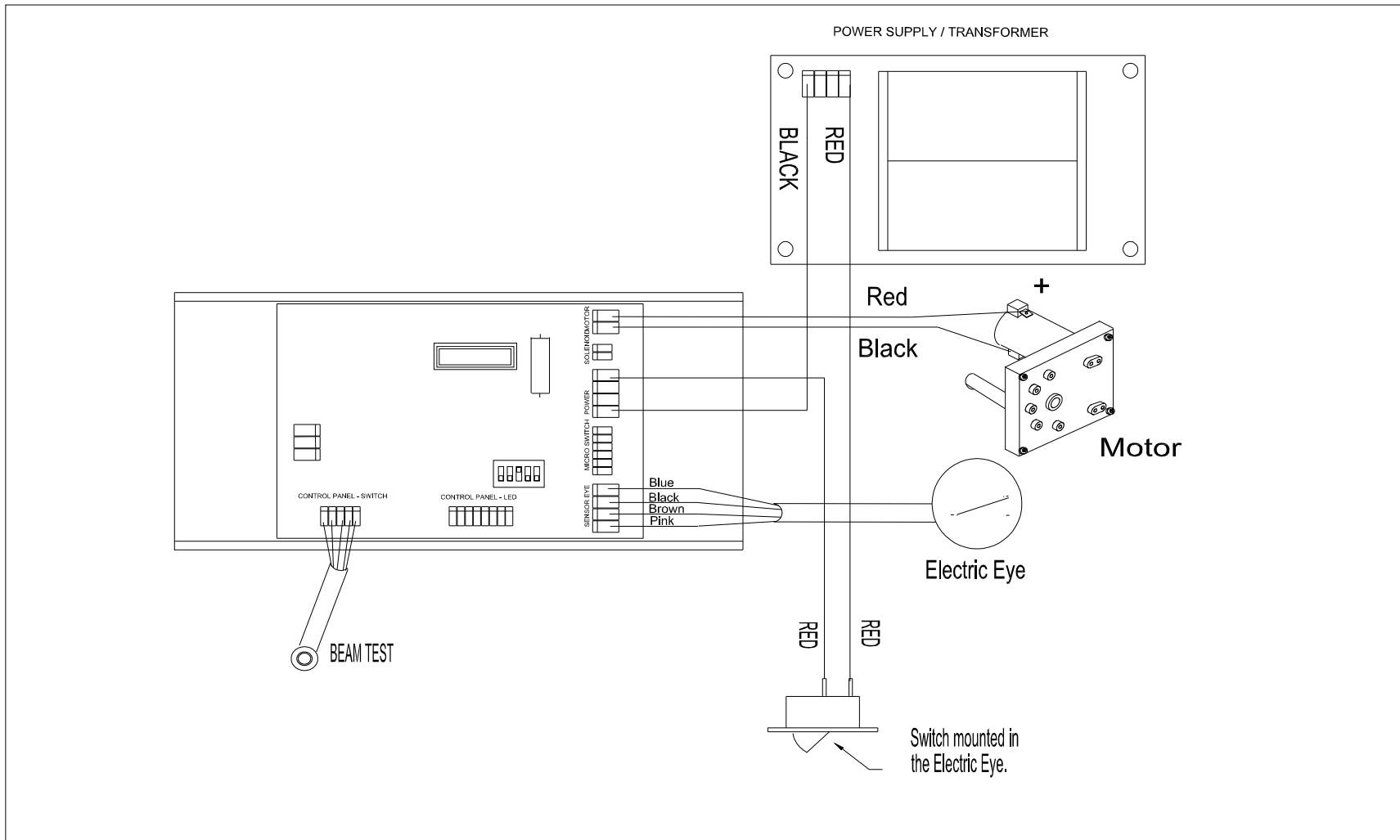
Motor


PCB Assembly
Power Supply

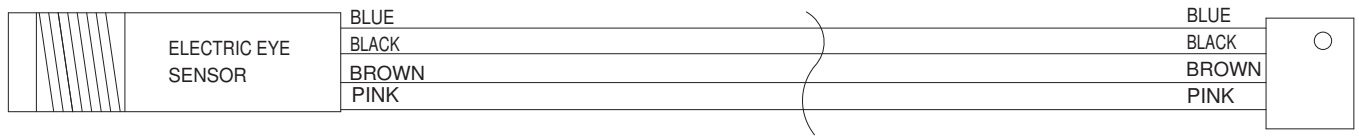
Component Placement



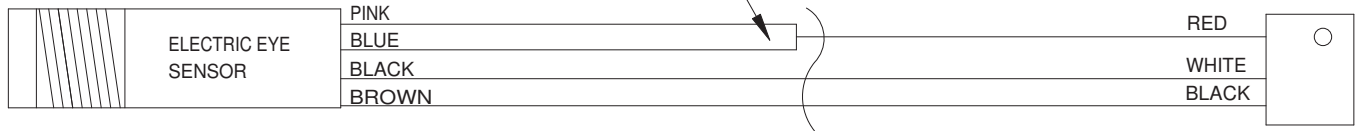
WORK TO DIMENSIONS-DO NOT SCALE TOL. UNLESS SPECIFIED XXXX TOL. NOT REQ'D TOL. CLASS ± .030 ANGULAR TOL. ± 1'	USED IN PRODUCTS: BO Series Windows	DESIGN BY: SRH DATE: 2/13/04	MATERIAL: Elec Component s MATERIAL SPEC:	 1815 Arthur Drive • West Chicago, IL • 800-621-5045 • 630-876-7766 • Fax 630-876-7767
	REVISION: B REVISION DATE: 2/13/04	DRAWN BY: SC DATE: 2/13/04	GAUGE:	
	LATEST REVISION NOTE: Service Manual Drawing			
			DESCRIPTION: Pre - DC -3 Wiring	
			PART. NO.: N/A	




WORK TO DIMENSIONS-DO NOT SCALE TOL. UNLESS SPECIFIED XXXX TOL. NOT REQ'D TOL. CLASS ± .030 ANGULAR TOL. ± 1°	USED IN PRODUCTS: BO Series Windows	DESIGN BY: SRH DATE: 2/13/04	MATERIAL: Elec Component s MATERIAL SPEC:	 1815 Arthur Drive • West Chicago, IL • 800-621-5045 • 630-876-7766 • Fax 630-876-7767
	REVISION: B	DRAWN BY: SC DATE: 2/13/04	GAUGE:	
	REVISION DATE: 2/13/04			
	LATEST REVISION NOTE: Service Manual Drawing		DESCRIPTION: DC-3 PSC Wiring Diagram	
		PART. NO.: N/A		



PINK & BLUE CONNECTED TOGETHER WITH RED WIRE



WORK TO DIMENSIONS-DO NOT SCALE TOL. UNLESS SPECIFIED XXXX TOL. NOT REQ'D TOL. CLASS ± .030 ANGULAR TOL. ± 1°	USED IN PRODUCTS:	DESIGN BY: SC	MATERIAL: OMRON ELECTRIC EYE	 <small>1815 Arthur Drive West Chicago, IL • 800-421-5045 • 630-476-7766 Fax • 630-476-7767</small>
	WAIST HIGH BEAM BREAK	DATE: 11/08/05	MATERIAL SPEC:	
	REVISION: OR	DRAWN BY: SC	GAUGE:	
	REVISION DATE: 11/8/05	DATE: 11/08/05		
	LATEST REVISION NOT E:			DESCRIPTION: ELECTRIC EYE
				PART. NO.: WIRING DIAGRAM

