

# Installation/Service/Operations Manual



**Model 131**  
**Self Closing and**  
**Fully Automatic Electric**

**Pass-Thru Window Systems**

# TABLE OF CONTENT

<b>Topic</b>	<b>Page</b>
Disclaimer	3
Serial Number Identification	3
Contact Sheet	3
Introduction	4
Product Information	
Description	4
Specifications	6
Dimensions	6
Safety Information / Warranty	7
Installation Procedures	
Tools needed	8
Materials Needed	8
Physical Installation	9
Electrical Installation	12
Initial Operations and Testing	13
Adjustments and Calibrations	14
Operational Procedures	
Modes of Operation	18
Operations	18
Control Identification, Explanation and Function	19
Maintenance	
Maintenance Schedule	20
Daily	20
Monthly	20
Yearly	20
Service	
Troubleshooting Guide (Cause and Effect)	21
Parts Lists	
Complete Parts List (Description/Part Number)	24
Drawings - Exploded Views / Schematics	26
Appendix B - Adjusting or Re-Hanging the Doors	30

## DISCLAIMER

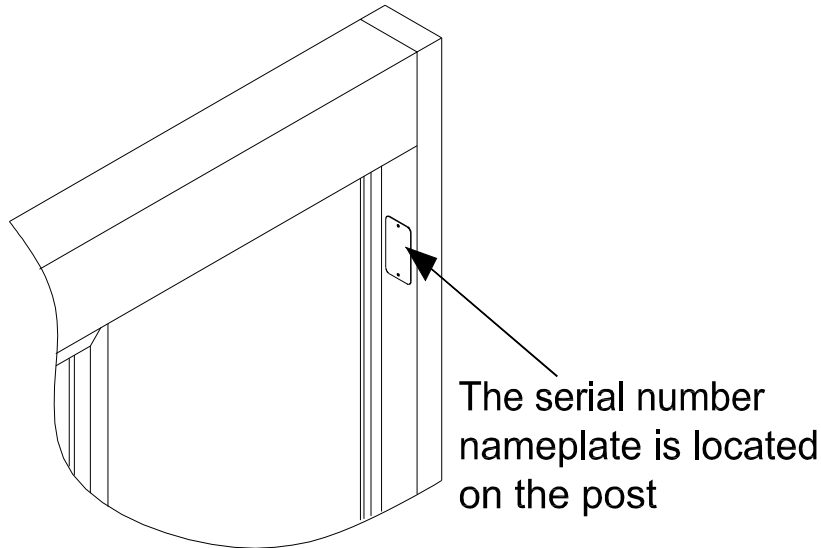
READY ACCESS DISCLAIMS ANY LIABILITY FOR ANY DAMAGE OR HARM CAUSED TO THE 131 DRIVE-THRU WINDOW, IT'S OPERATOR OR ANY OTHER EQUIPMENT HOWEVER CAUSED IF THE 131 DRIVE-THRU WINDOW IS REPAIRED OR SERVICED BY ANYONE OTHER THAN AN AUTHORIZED SERVICE ENGINEER OR CONTRARY TO THE MANUFACTURERS WRITTEN INSTRUCTION CONTAINED HEREIN.

THIS MANUAL IS INTENDED FOR USE BY THE IN-HOUSE OR AUTHORIZED FIELD SERVICE ENGINEERS AND SALES REPRESENTATIVES

The manufacturer maintains the right to update, add or issue a new service manual at any time without notice, thereby rendering all previous issues obsolete.

Please write the Serial Number and Installation Date for your drive-thru window in the spaces provided.

<b>Serial Number</b>	
<b>Date of Installation</b>	



## CONTACT INFORMATION FOR SALES AND SERVICE CONTACT

Ready Access  
1815 Arthur Drive  
West Chicago, Illinois 60185  
Email: [ready@ready-access.com](mailto:ready@ready-access.com)

Tel: 630-876-7766  
Tel: 800-621-5045  
Fax: 630-876-7767  
Website: [www.ready-access.com](http://www.ready-access.com)

## INTRODUCTION

The Ready Access window is quality designed to give you years of reliable, trouble-free service. Each window is shipped pre-assembled, fully glazed and ready for installation. All Ready Access windows are thoroughly tested prior to shipping.

The 131 Bi-Parting Window is the perfect enhancement to the drive-thru concept, offering unobstructed views of customer and crew.

The 131 come in two versions, manual open/self closing and electric operation. The electric version is fully automatic with a manual override in case of a power outage. The doors will open and close by stepping into an out of the presence sensor. Both models meet health department requirements for self-closing units.

This attractive and economical window is ideal for a drive-thru or walk up application. The large service opening is suitable for both large and small operations. It is available in one standard width, 53 1/2" and two standard window heights, 37 3/4" H and 43 3/4" H.

When used with the READY ACCESS pass-thru air curtain system, this single panel-sliding window will provide the crew and customer with comfort during winter (AA300 only) and an insect and exhaust deterrent during the summer.

## PRODUCT INFORMATION

- **Manual Open/Self Closing or Electric Openings**  
The 131 Bi-Parting Slider keeps building costs down by offering the window in a manual open/self close operating style. Or for those who experience heavier traffic, an electric operating style is also available. Both models meet health department requirements for self-closing units.
- **Ease of Operation**  
In a manual/self closing operation, the inside attendant pulls the door handle, and both doors part from the center to either side. With a fully automated operation, the operator simply steps into the presence sensor and the movable window panels slide open. When the operator steps out of the presence sensor, the movable window panels automatically close. The range for the presence sensor is adjustable to specific customer needs.
- **Adjustable Service Opening**  
Operators can easily adjust the window for two convenient opening sizes at any given time. By simply pressing a button the doors will open to either 12"W or 18"W serving area.
- **Quality Construction**  
Anodized aluminum extrusions, stainless steel and 1/4" tempered glass combine to give you an attractive window that not only enhances building exteriors, but will not rust, pit or weather. Track free bottom sill provides for a contaminant free surface.
- **Double Security Locks**  
The 131 Bi-Parting Slider automatically locks each time the window closes, providing security when the window is left unattended. When the drive-thru is closed, manual security locks help prevent outside entry.

- **Fully Assembled, Ready to Install**  
Ready Access windows are shipped completely pre-assembled, and fully glazed for lower installation costs. Normal installation takes less than two hours.
- **Warranty and Service Support**  
Your Ready Access window comes with a one year limited warranty on parts and labor provided by a worldwide service organization.

## **STANDARD OPTIONS**

- The 131 Bi-Parting Slider is available in statuary bronze or clear anodized aluminum.
- 2 standard window dimensions available:  
**131:** 53 1/2"W x 37 3/4"H (18" {458mm} W x 31" {788mm} H service opening)  
**131-6:** 53 1/2"W x 43 3/4"H (18" {458mm} W x 37" {940mm} H service opening).
- An inside/outside stainless steel shelf is also available.

## **CUSTOM OPTIONS**

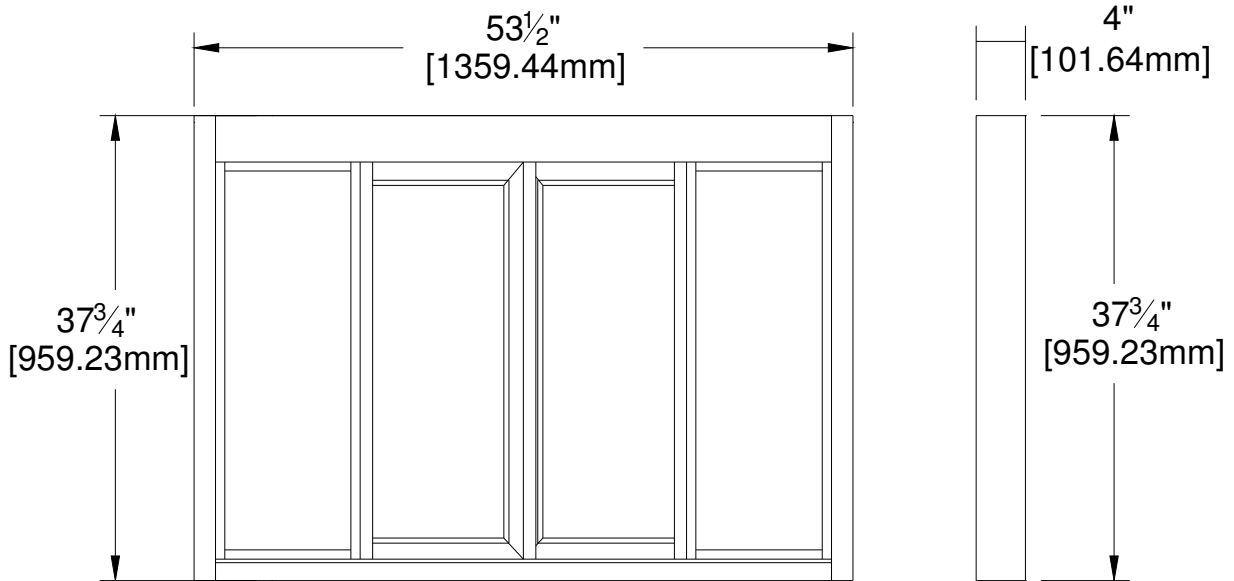
- Custom heights are available in both manual and electric operations.
- Tinted glass is available upon request.
- Powder coat painting is available in a wide range of custom colors.

## SPECIFICATIONS AND PERFORMANCE

Model Number	Unit Voltage		Actual Unit Amps	Dimensions In Inches W X H x D	Weight In Shipping Carton
	USA	International			
131 - E	110/120 VAC - 60Hz	220/240 VAC 60Hz	15 A (US) 8 A (Int'l)	53½ x 37¾ x 4 (1359mm x 959mm x 102mm)	111 lbs
131-6 - E	110/120 VAC - 60Hz	220/240 VAC 60Hz	15 A (US) 8 A (Int'l)	53 ½ x 43¾ x 4 (1359mm x 1112mm x 102mm)	115 lbs

Dimensions In Inches W x H x D	Service Opening Size W x H	Glazing Rough Opening Size W x H	Masonry Rough Opening Size W x H
53½ x 37¾ x 4	18" x 31"	53 ¾" x 38" 1365mm x 965mm	54" x 38 ¼" 1372mm x 972mm
* 53 ½ x 43¾ x 4	18" x 37"	53 ¾" x 44" 1365mm x 1198mm	54" x 44 ¼" 1372mm x 1124mm

### Dimensions



\*131-6 Vertical Size = 43 3/4 (1112mm)

Figure 1

## Safety Information

WARNING: To avoid the risk of fire, Electric Shock or injury to persons, observe the following:

1. Before servicing or cleaning the unit, switch the power off at the mechanical switch near the unit (Installed by an Electrician) or the electrical entry service panel/circuit breaker. (Load Center)
  - **OSHA LOCK OUT – TAG OUT** procedures are to be observed to prevent power from being switched on accidentally.
2. Any Installation and / or Electrical work must be done by **QUALIFIED** persons in accordance with all applicable codes / standards and manufacturers recommendations and specifications.
3. **DO NOT** insert fingers and / or foreign objects into the Drive-Thru Window.  
**DO NOT** block or tamper with the unit in any manner while it is in operation.
4. This product must not be used in Potentially Dangerous locations such as Flammable, Explosive Chemical – laden environment.

### WARRANTY:

**Ready Access will only accept responsibility for manufacturing defects in the product's construction and/or materials.**

**Adjustments required during installation are the responsibility of the installer or contractor and will not be covered under warranty.**

**Problems caused by improper installation are the responsibility of the installer or contractor and will not be covered under warranty.**

# Installation Procedures

## Tools required to perform the installation

- Electric Drill
- Metal Drill bits – 3/16" (5mm) & 1/4" (6mm)
- Screwdrivers – Slotted and Phillips
- Hacksaw
- Jack Knife
- Flat File – Coarse
- Caulking gun
- Extension Cord
- Masonry drill bit – 3/16" (5mm)
- Masonry Hole Saw – 1" (25mm)
- Channel Lock Pliers
- Tape Measurer
- Wire Cutter
- Step Ladder
- Level

## Materials required for installation

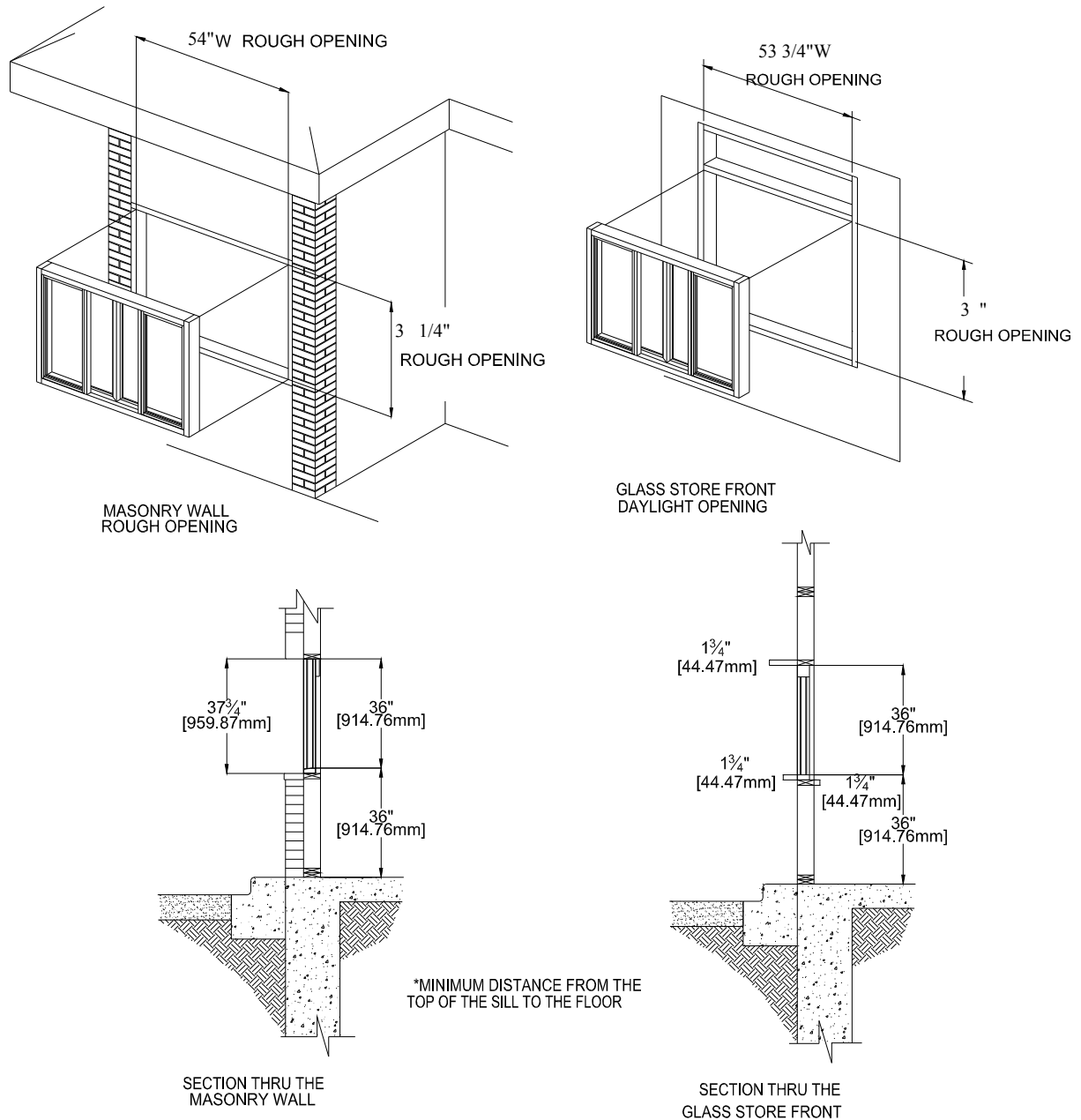
- Window framing, architect specified and installed in building.  
(Ready Access recommended material is 1/8" (3mm) x 1 3/4" (44.5mm) x 4" (102mm) hollow aluminum tubing or glazing channel)
- Electrical Tape
- Wire Nuts
- Caulking – silicone (Color specific to the color of window)
- Connectors for conduit as required
- Shingle type shims – as required to level and plum the window

## Physical Installation

Before you begin installing your Ready Access Drive-Thru Window, you must determine what type of installation will be required. Example: Wood Framing, Masonry Framing, etc.)

Please refer to the details below and pick which one best fit your application.

**See Chart on page 7 for Masonry and Glazing Rough Opening Sizes**

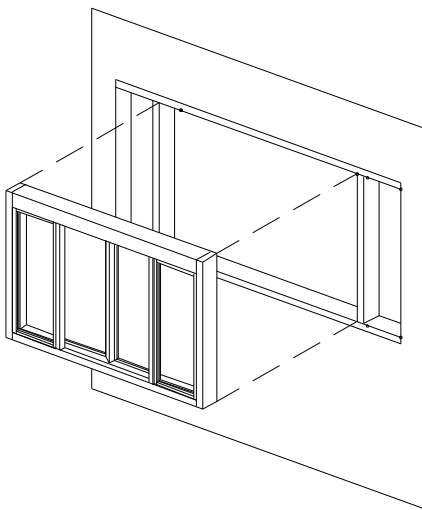


**FIGURE 2**

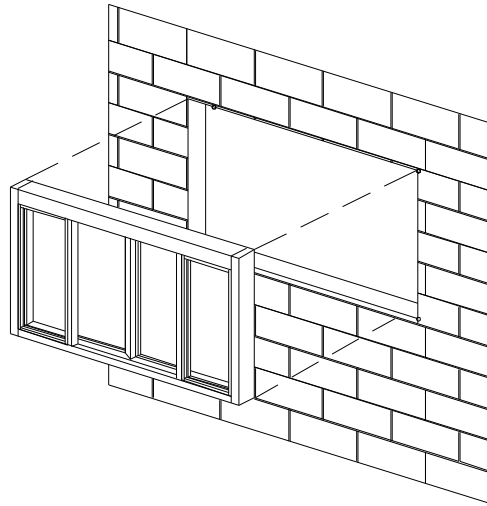
**WARNING:  
TWO PEOPLE ARE REQUIRED FOR THE LIFTING AND  
INSTALLATION OF THE WINDOW.**

1. Confirm that the customer-supplied frame is made to accommodate the dimensions as illustrated on page 9.
2. Confirm that AC power has been run to the upper right hand side (viewing from exterior) and is ready for connection to the window.
3. Check shipping carton for any shipping damage and remove window from the carton.
4. Check window for any shipping damage.

**NOTE:** There are two wall-mounting applications. The mounting space can be surrounded either by sidelights (windows) or masonry. In both cases the upper part of the window above the counter top (window sill) fits flush with the outside of the wall. (See Figure 2) The illustrations will show the walls with the sidelights, as this is the most common application. (Figure 3)



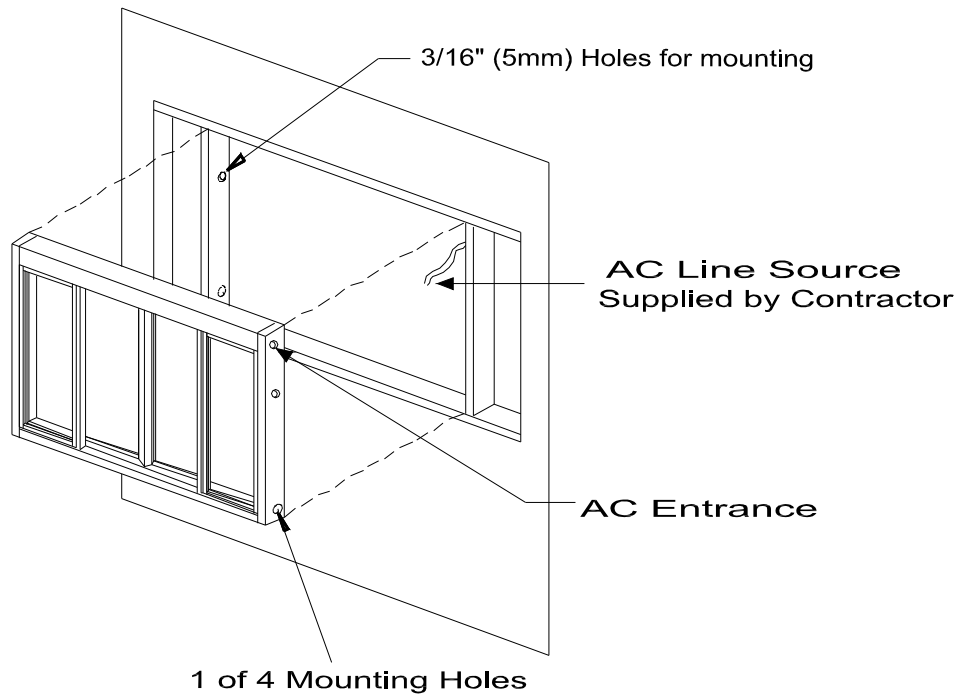
**Figure 3**



**Figure 4**

**NOTE:** If mounting the window in a masonry wall the window mounts flush with the outside finishing of the building. Drill points are scribed directly into the masonry. The outside edge of the mullion should be flush with the outside finishing of the building. (See Figure 4)

5. Position the window and place it into the customer-supplied frame. As shown in Figure 3 and 4
6. With one person holding the window in place, level the window using the shim shingles as needed.
7. Using the window mounting holes as a template, drill a quantity of 4 – 3/16" (5mm) diameter holes for mounting. (See Figure 5)



**Figure 5**

8. Take the window back out and drill the mounting holes. Set the anchors as needed.
9. With one person holding the window in place from the outside, set the mounting screws.
10. When the window is fully secured, seal the outside of the window to the frame or building using silicone caulk.

## Electrical Installation

All power must be connected and wired by a **qualified electrician** and must be in compliance with all state and local codes.

The incoming AC power line must be connected to the wires in the duplex box located in the top header (Per Standard electrical code.) The green “grounding” wire is to be attached to the duplex receptacle.

**WARNING:** Use only 110/120VAC – 60Hz source with a **dedicated 15Amp circuit**.  
International power: 220/240VAC – 50/60Hz with a dedicated 8amp branch circuit.

**WARNING:** *This must be a dedicated circuit. Other electrical equipment must not share the same line from the 15Amp circuit breaker.*

**WARNING:** Turning off the front panel rocker switches does not remove the 110/120 volts of electrical power from the unit.

**WARNING:** To disconnect the power completely from this unit, turn OFF the mechanical switch near the unit (Installed by an Electrician) or the electrical entry service panel/circuit breaker panel (Load Center) for this unit.

- **OSHA LOCK OUT – TAG OUT** procedures are to be observed to prevent power from being switched on accidentally.

1. Remove the 4 screws holding on the slide channel cover. See Appendix “C”
2. Wire the AC source line to the duplex receptacle. (See Figure 6)



Figure 6

3. Connect the cable wire from the electric eye sensor.
4. Drill 4 - ¼” (6.5mm) holes using the masonry drill bit. (For Waist High Electric Eye Only)
5. Insert the plastic anchors and mount the brackets with the #10 or #12 screws. (For Waist High Electric Eye Only)
6. Attach the sensor to the brackets and secure. (For Waist High Electric Eye Only)
7. Turn “ON” the power to the unit. (Load center circuit breaker and power switch on the “Control unit”).
8. Test window operations. See “Testing Procedures”.

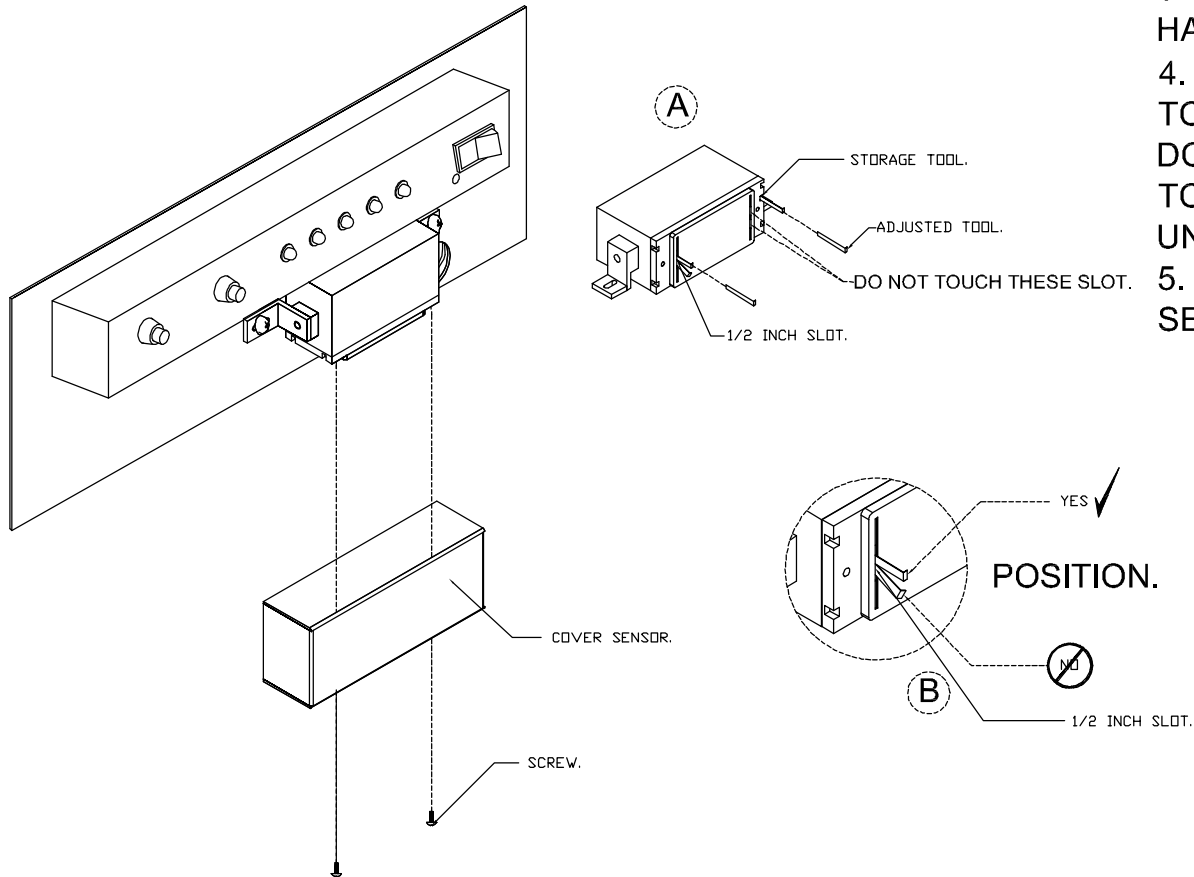
## Initial Window Operation

### Testing Procedures

Action	Reaction
Turn the power “ <b>OFF</b> ” at the rocker switch located on the controller unit. Manually open and close the doors several times.	When the doors are opening, the “MOTOR RUN” lamp will illuminate green. When the doors are closing, “MOTOR RUN” lamp will illuminate red. The “POWER” lamp must illuminate during both operations. If neither of these lamps illuminate during any of the processes, proceed to the “Troubleshooting” section.
Turn the power “ <b>ON</b> ” at the rocker switch located on the controller unit. Break the electric eye beam to open the door.	The doors will open to either a 12” (304.8mm) opening or to an 18” (457.2mm) opening.
With the power “ <b>ON</b> ” press the opening size button located on the controller unit once and break the electric eye beam to open the doors.	The opening size of the doors will change from the previous setting. (12” to 18” or 18” to 12”)
With the power “ <b>ON</b> ” break the electric eye beam momentarily to open and close the doors.	The doors will open. They will remain in the open position for either approximately 3.0 or 6.0 seconds before closing.
With the power “ <b>ON</b> ” press the “CLOSE DELAY” button located on the controller unit once and break the electric eye beam to open the doors.	The doors will open and the length of time that the doors remain open will toggle between 1.5 and 3.0 seconds before closing.
With the power “ <b>ON</b> ” break the electric eye beam momentarily to open and close the doors. Insert an object at least 4” (101.6mm) wide between the doors as they are closing.	The doors will automatically reverse their action (the doors will open), when an object is caught between or restricting the closing of the doors.

# SETUP SENSOR

1. REMOVE TWO SCREWS OFF THE SENSOR COVER.
2. REMOVE THE ADJUSTING TOOL SEE FIGURE "A".
3. INSERT THE ADJUSTING TOOL INTO THE HALF INCH SLOT SEE FIGURE "B".
4. AFTER YOU INSERT THE TOOL PULL THE TOOL TOWARDS YOU JUST ONE CLICK. IF DOOR TRIES TO CLOSE AND RE OPENS, PULL TOWARDS YOU ONE MORE CLICK. CONTINUE UNTIL DOOR CLOSES SEE FIGURE "B".
5. INSTALL THE COVER AFTER FINISH THE SETUP.



**Door Alignment**

Adjustments to the door height and alignment is accomplished by turning one or both of the eccentric nuts located at the top of the doorframe where it mounts to the slide track. (Figure 7)

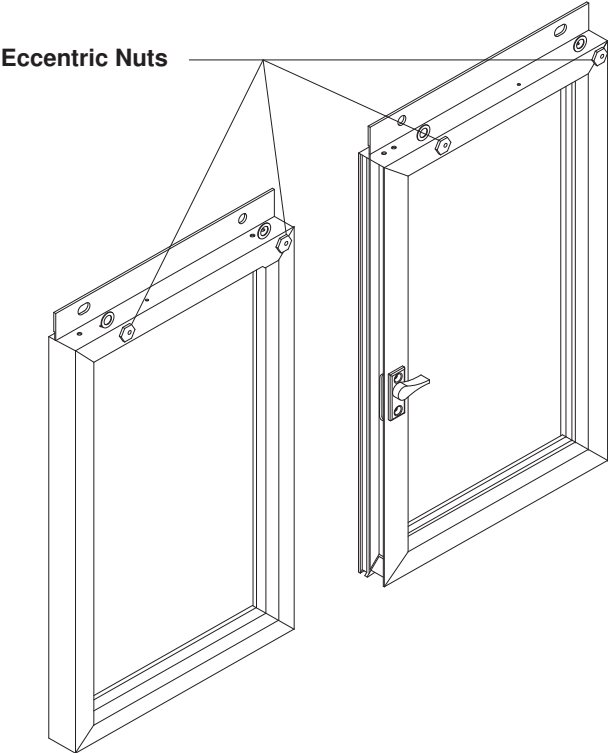


Figure 7

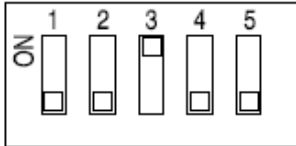


Adjusting nuts

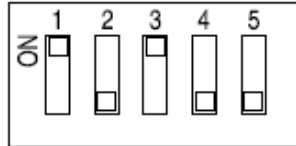


### CLOSE DELAY TIMER INFORMATION

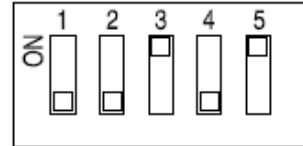
The close delay timer is used to adjust the amount of time that the door will stay open after stepping out of the sensor range. The factory preset is 3 seconds. The range of setting is from 0 to 45 seconds. If the close delay button is activated on the control panel, this time will be doubled. Example: Timer setting is 5 seconds, press close delay button and the new time is 10 seconds. Press the close delay button again and the time is restored back to 5 seconds. The following diagrams are examples of timer settings:



Equals 3 second delay

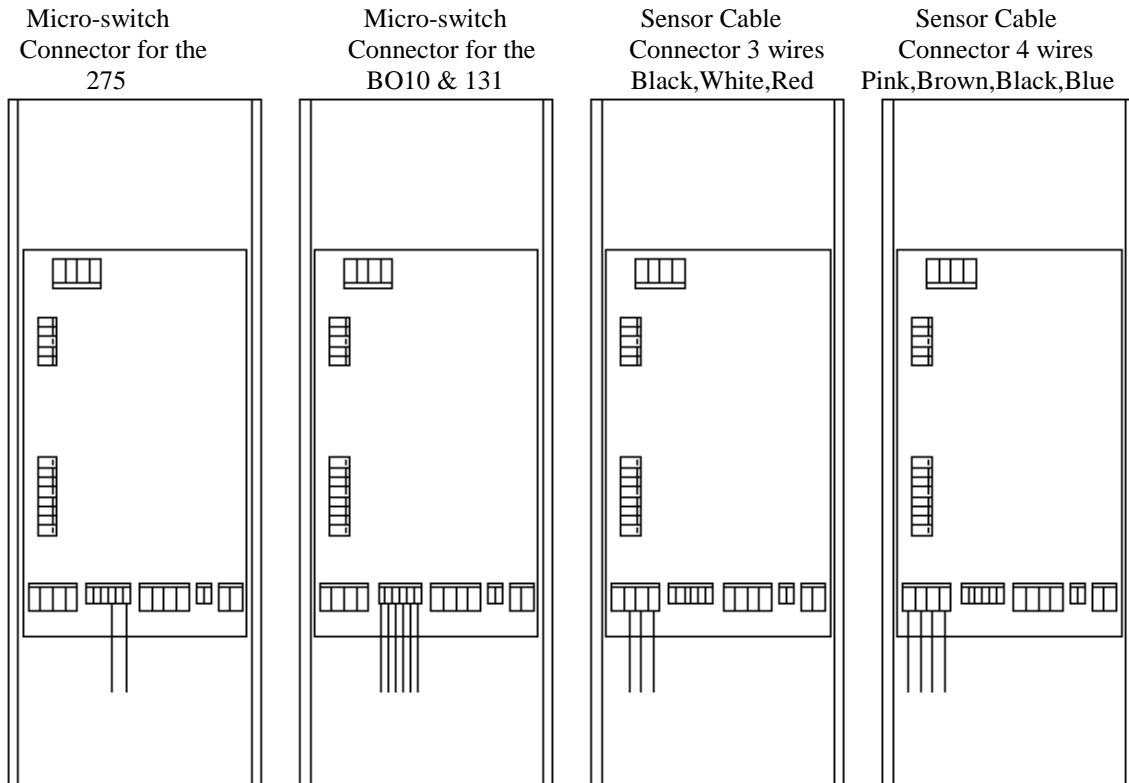


Equals 13 second delay



Equals 35 second delay

### THE FOLLOWING WIRING DIAGRAMS ARE FOR REFERENCE FOR THE DIFFERENT MODELS OF READY ACCESS PASS THRU WINDOWS.



#### 3 Wire Instruction:

Connect wires for eye to wires on eye cable

<u>Eye</u>	<u>Eye Cable</u>
Brown	Black
Black	White
Pink/Blue	Red

# Operation Procedures

## Modes of Operation:

The 131 bi-parting window has two modes of operation, Manual/Self Closing and Fully-Automatic.

## Operations

After installation of the model #131 Manual/Self Closing or Electric Sliding window, completion of the testing procedures and the installation of the decorative covers, the window is ready for normal use.

## Manual/Self Closing

The opening of the window is done by hand, closing is done by gravity.  
**(DO NOT OPEN OR CLOSE THE DOORS WITH ANY UNDUE FORCE)**

### Manual Operations:

1. Unlock the Thumb-Turn Lock on the door.
2. Release the manual latch and push the doors open.
3. On Self Closing release door and it will shut by gravity, (manual) push the doors closed.
4. Relock the Thumb-Turn Lock.

## Fully-Automatic

The **Manual Mode** is reached by turning "OFF" the main power to the window. The opening and closing of the window is done by hand **(DO NOT OPEN OR CLOSED THE DOORS WITH ANY UNDUE FORCE)**

The **Automatic Mode** is reached by turning "ON" the main power to the window. Stepping in and out of the sensor's range opens and closes the doors.

1. On the controller unit, turn the power rocker switch to the "ON" position.
2. Check that the red portion of the rocker switch is visible and that the red power lamp is illuminated.
3. Break the electronic eye beam or step into the sensor beam path. The red beam break and green motor run lamps go on.
4. Step out of the beam path and wait 3 to 6 seconds for the doors to close. The red motor run lamp and red close detect lamps will illuminate. After the doors close note that the red power lamp and the current detect lamps are "ON".
5. If the doors do not operate correctly, go to the troubleshooting guide in this manual. If the doors still do not operate properly, then call Ready Access at

**1-800-621-5045**

6. The doors can be operated manually by pulling the manual release located at the top of the door.

**NOTE:** Turn the power off to the window to prevent any damage to the PCB.

**Each operator must read the operations manual before operating the unit.**

## Controls Identification, Explanation and Function



Controller Unit

Lamps and Switches	Function
Power Lamp	This lamp indicates that the power rocker switch is on and the controller is receiving power.
Motor Run Lamp	<p>The "MOTOR RUN" lamp indicates that power is being applied to the motor. When the doors are opening, lamp will illuminate green. When the doors are closing, the lamp will illuminate red.</p> <p>The lamp also allows for the diagnostic checking of the motor and motor wiring. To test, turn the power "OFF" at the rocker switch and manually open and close the doors. This will cause the lamp to illuminate either green or red. The "POWER" lamp must illuminate during both operations. If neither of these lamps illuminate during any of the processes, proceed to the "Troubleshooting" section.</p>
Beam Break Lamp	This lamp indicates that the electric eye beam or presence sensor beam has been broken and/or the "CLOSE DELAY" timer is still timing out.
Close Detect Lamp	This lamp is red and indicates that a "CLOSE" sequence has been initiated. It will always light during a door closure and will go out just before the doors come together. When the lamp is out, the automatic reverse feature is disabled.
Current Detect Lamp	This lamp is red and indicates an overload has been detected. This lamp may light on opening but is automatically disabled. The lamp will come on when the doors are fully closed or when an obstruction has been encountered.
Beam Test Switch	<p>Pressing the "BEAM TEST" button once will test the operations of the doors without using the electric eye or presence sensor. To test, the operator should not be in the path of the light beam or presence sensor.</p> <p>Standing in the light beam while pressing the button will put the window into a test mode. This will make the window continuously operate (open and close) automatically. You must turn the power off and back on to reset the window.</p>
Close Delay Switch	Pressing this button will toggle the length of time that the doors remain open between 1.5 and 3.0 seconds before closing.
Opening Size Switch	Pressing this button will toggle the opening size of the doors from (12" to 18" or 18" to 12")

# Maintenance

## Maintenance Schedule

Scheduled maintenance should be performed on a regular basis. This is to assure proper operation and performance of the 131 windows.

### Daily

Check the sill for foreign materials and/or syrup. (Anything that might cause the window to bind up and not operate smoothly.)

### Monthly

Follow safety procedures before opening the unit.

Check the interior of the unit for any build up of any foreign materials using a dry cloth.

**NOTE: KEEP ANY LIQUIDS OFF THE INTERIOR COMPONENTS.**

Clean moving parts and lubricate with silicone or Teflon spray.

NOTE: Do NOT use Grease or Oils.

### Yearly

Have a service technician come in and perform a maintenance check on the unit.

## Trouble Shooting

Problem:	Window is sluggish
Solution:	-Is the Cable sheathing or tearing? Replace cable/ chain and pulley. The pulley is not turning correctly causing the cable to move against the pulley. This causes friction, ruining the cable and causing a sluggish window.
Replacement Parts:	Pulley- <a href="#">20200142</a> Cable and chain- <a href="#">85153600</a>

Problem:	The Chain or cable is dangling below the header cover
Solution:	<a href="http://www.ready-access.com/Videos.html">http://www.ready-access.com/Videos.html</a> The Chain hopped off the sprockets of the motor due to being rushed open or closed. Follow video link above to reinstall.
Replacement parts:	

Problem:	Window opens and closes by itself.
Solution:	1. There is a video to Adjust striker plate at <a href="http://www.ready-access.com/Videos.html">http://www.ready-access.com/Videos.html</a>
Replacement Parts:	

Problem:	Window won't open. When it does open works fine, but sometimes it doesn't do anything
Solution:	1. Our windows need a dedicated circuit. Something else may be plugged in to its circuit. This pulls power from the window. Turn everything you have on and shut down the breaker to window. What else shuts off? 2. Adjustment of Doors 3. Clean weather stripping under window pane.
Replacement Parts:	

Problem:	Window opens ok but is jerking when closes/ jumps close, or rolls and inch.
Solution:	<ol style="list-style-type: none"> <li>1. Make sure everything is aligned and clean</li> <li>2. check chain/cable and pulley. Is it sheathing? Need to replace</li> <li>3. unplug everything on control board but MC1 and MC5. Shut window turn power off and on. Short Pins 1 &amp;2 on MC2. Does it do something different/ does it open and close?</li> </ol> <p><b><u>YES</u></b>- start plugging molex connectors back in one at a time. Shut window. Turn power off and on and hit the beam test button after each plug. This way we can isolate where the problem is.</p> <p>MC2- Electric Eye  MC6- Microswitch Assembly  MC8- flyfan  MC3 &amp; MC4- Wired Switch cover</p> <p><b><u>NO</u></b>- Take the Voltage of MC5. Are you getting 12dc volts?  Yes- You need a new Motor  No – you need a new DC Board</p>
Replacement Parts:	Electric Eye- <a href="#">85000200</a> Microswitch Assembly- <a href="#">85151300</a> Wired Switch Cover – Bronze- <a href="#">65150001</a> Clear- <a href="#">65150002</a> Motor- <a href="#">85152600</a> DC Board- <a href="#">85002001</a>

Problem:	Air coming in under the window.
Solution:	<ol style="list-style-type: none"> <li>1. The restaurant has too much negative air in it, most of the time that's coming from the vents over oven.</li> <li>2. Check the weather stripping</li> </ol>
Replacement Parts:	HVAC company service call to neutralize the air Weather Strip Kit- <a href="#">85104000</a>

Problem:	Door opens fine and closes ok but stops about an inch short
Solution:	<ol style="list-style-type: none"> <li>1. Check to make sure door is not dragging/ or there is a blockage</li> <li>2. take header cover off and pull down on cable to release some tension in the spring.</li> <li>3. turn blue dial on control board counter clockwise all the way to reduce amp draw- if applicable</li> </ol>
Replacement Parts:	

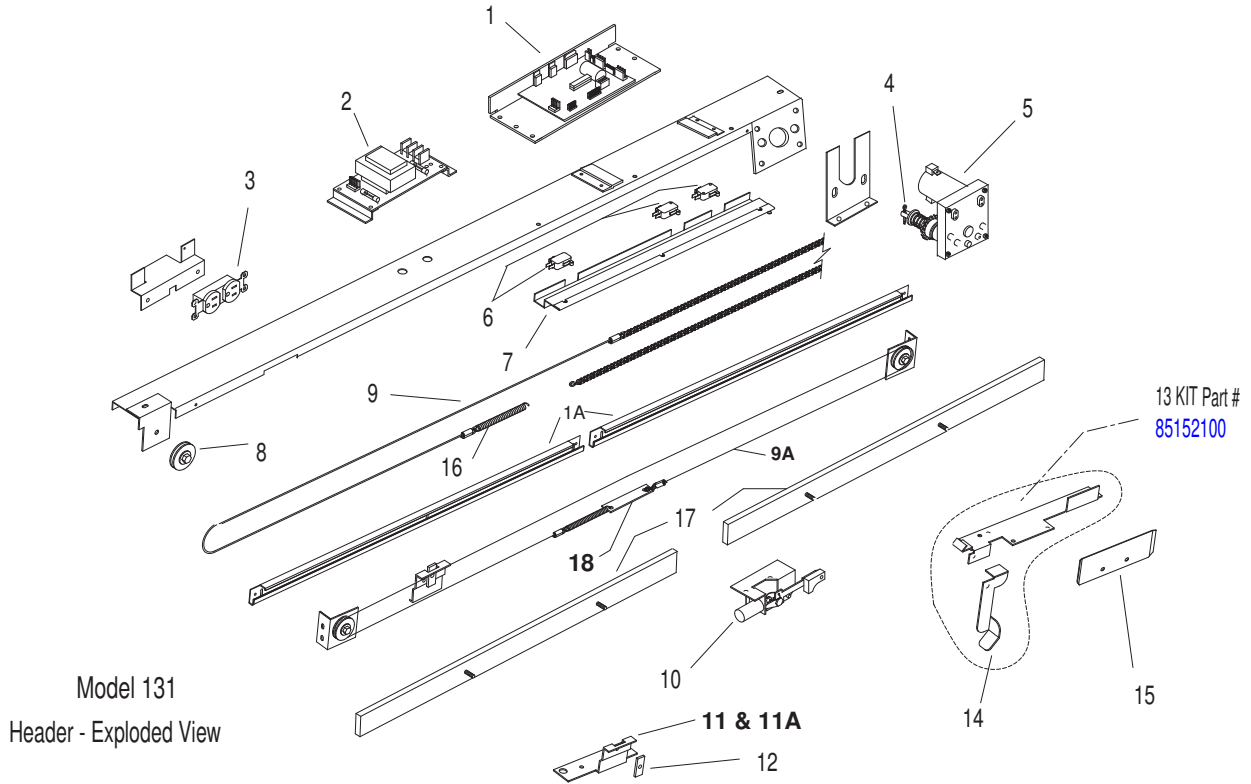
Problem:	Window Opens, but then stays open:
Solution:	<ol style="list-style-type: none"> <li>1. Electric Eye is picking up Movement. See link below to adjust Beam Box  <a href="http://www.ready-access.com/Videos.html">http://www.ready-access.com/Videos.html</a> </li> </ol>
Replacement Parts:	

**Parts Lists**  
**Complete Parts List (Description/Part Number)**

Description	Current Part Number	Previous Part Number	Note
"S" Hook	20240016	N/A	
Angle - Reinforcement - Door - ALL SLIDERS	95119900	N/A	4pcs per door.
Beam Box – Bronze	85100901	N/A	
Beam Box – Clear	85100902	N/A	
Bumper w/washer Gry	40010023	N/A	
Cable - Auto Latch (Solenoid)	20112141	00651313	
Cable - Sensor	20112148	20110148	
Cable - Eye (Waist High)	20112143	20110143	
Cable - Motor	20112144	20110144	
Cable - Power	20112142	20110142	
Cable - Sensor Bi-Parting Units	20112147	N/A	
Cable & Chain Assy - BO-10, 131	85153600	65153601	
Cable Clamp	95150900	N/A	
Cable Clamp Bracket	95151001	N/A	
Cover - Header - Electric, Bronze	65161301	N/A	
Cover - Header - Electric, Clear	65161302	N/A	
Cover - Header - Manual, Bronze	65162601	N/A	
Cover - Header - Manual, Clear	65162602	N/A	
Door Assy - L/H - Bronze	Call for Part #	65183501	Provide Serial #
Door Assy - L/H - Bronze - 131-6	Call for Part #	N/A	Provide Serial #
Door Assy - L/H - Clear	Call for Part #	65183301	Provide Serial #
Door Assy - R/H - Bronze	Call for Part #	65183502	Provide Serial #
Door Assy - R/H - Bronze - 131-6	Call for Part #	N/A	Provide Serial #
Door Assy - R/H - Clear	Call for Part #	65183302	Provide Serial #
Door Guide Replacement Kit (Both Pcs)	85003500	N/A	
Door Handle Kit - (manual units)	85002600	00651758	
Hanging Hardware Kit (Adj. Nut) (2)	85183400	65183401	
Housing - Elect Eye	00650929	N/A	
Latch Spring	00650269	N/A	
Lock - Dead Vertical Position -After 7/14/03	85004200		

Description	Current Part Number	Previous Part	Note
Lock - Thumb Turn - Long	85004500	N/A	
Motor & Sprocket Assy	85178200	65178201	
Power Supply Int'l, B/O-10, 131 Int'l	Call for part #	N/A	Provide Serial #
Power Supply, B/O-10, 131	Call for part #	N/A	Provide Serial #
Pulley-Kilrol (cable)	20200142	N/A	
Rocker Switch for PCBA Cover	20110214	N/A	8/99 B/O1,2,4 after 2/27/02
Screw for Cable Clamp	10010026	N/A	
Screw for inside cover, sensor striker	10010114	N/A	
Sensor Striker	65151101	N/A	
Slide Kit	85000100	20050011	
Solenoid & Hook Assy R/L	85150510	65150501	
Spring - Extension (Chain & Cable)	20060025	N/A	
Switch - Micro	20110281	N/A	
Switch Assembly - Micro - BO-10, 131	85151300	65151301	
Universal Control Board	85002001		
Weather Strip Kit - BO-2,4,10, 275	85104000	65104001	
Wired PCBA Cover- Bronze	65162501	N/A	
Wired PCBA Cover- Clear	65162502	N/A	

## Drawings

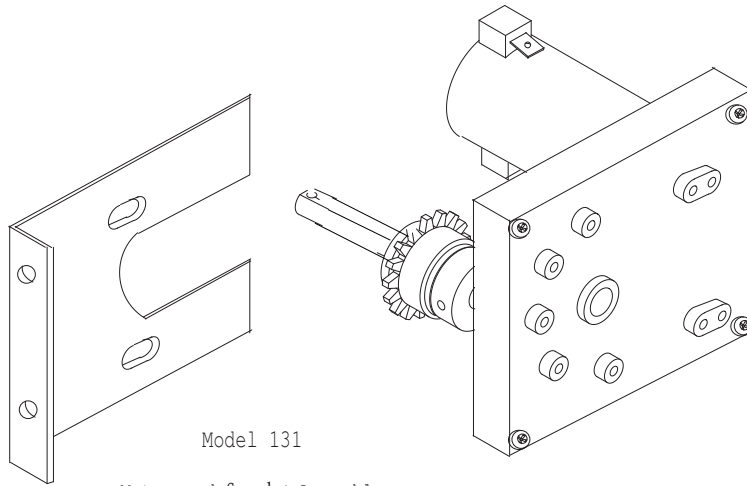


131E Header Parts Listing

REF ID #	PART NUMBER	DESCRIPTION	REF ID #	PART NUMBER	DESCRIPTION
1	<a href="#">85002001</a>	Universal Control Board	9	<a href="#">85153600</a>	Cable and Chain Assy
2	Call for #	120V Power Supply	10	<a href="#">85150510</a>	Solenoid and Hook Assy
*2	Call for #	220V Power Supply (Int'l)	11	<a href="#">95151001</a>	Cable Clamp Bracket
3	<a href="#">20110241</a>	Receptacle	12	<a href="#">95150900</a>	Cable Clamp
4	<i>N/A</i>	Clutch Assy <i>No Longer Available</i>	13	<a href="#">85152100</a>	Manual Release Bracket Kit
5	<a href="#">85178200</a>	Motor & Spocket Assy	14	00651758	Manual Release Handle
6	<a href="#">20110281</a>	Micro switch	15	<a href="#">65151101</a>	Striker Plate (Sensor)
7	<a href="#">85151300</a>	Micro switch Assy	16	<a href="#">20060025</a>	Tension Spring
8	<a href="#">20200142</a>	Kilrol Pulley	17	<a href="#">85000100</a>	Door Slide Kit

131 Manual & Self Close Header Parts Listing

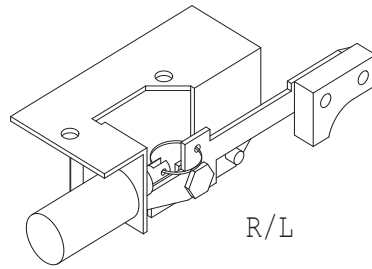
REF ID #	PART NUMBER	DESCRIPTION	REF ID #	PART NUMBER	DESCRIPTION
1A	<a href="#">85000150</a>	Door Track Kit	12	<a href="#">95150900</a>	Cable Clamp
8	<a href="#">20200142</a>	Kilrol Pulley	16	<a href="#">20060025</a>	Extension Spring
9A	<a href="#">85153700</a>	SC Cable Assembly PVC	18	<a href="#">95151700</a>	Cable Connector Bracket
11A	<a href="#">95151300</a>	SC Cable Clamp Bracket			



Model 131

Motor and Sprocket Assembly

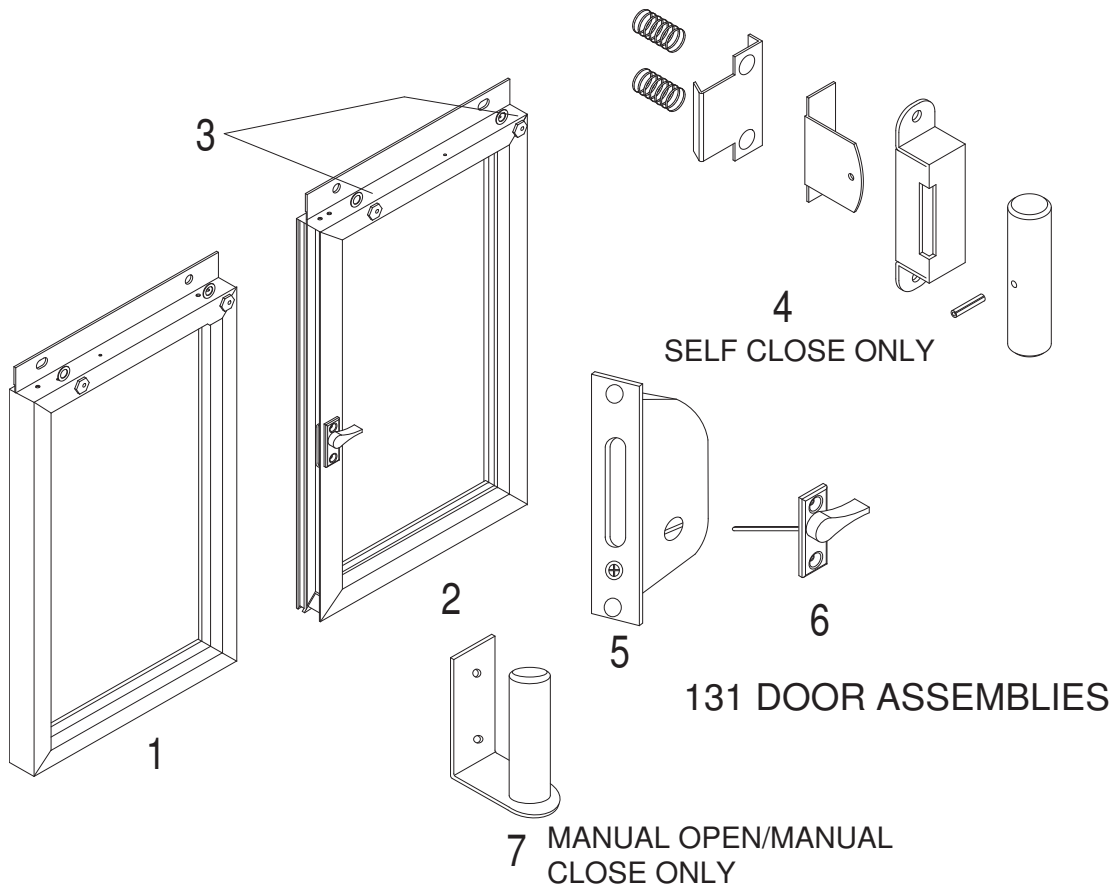
Part Number 85178200



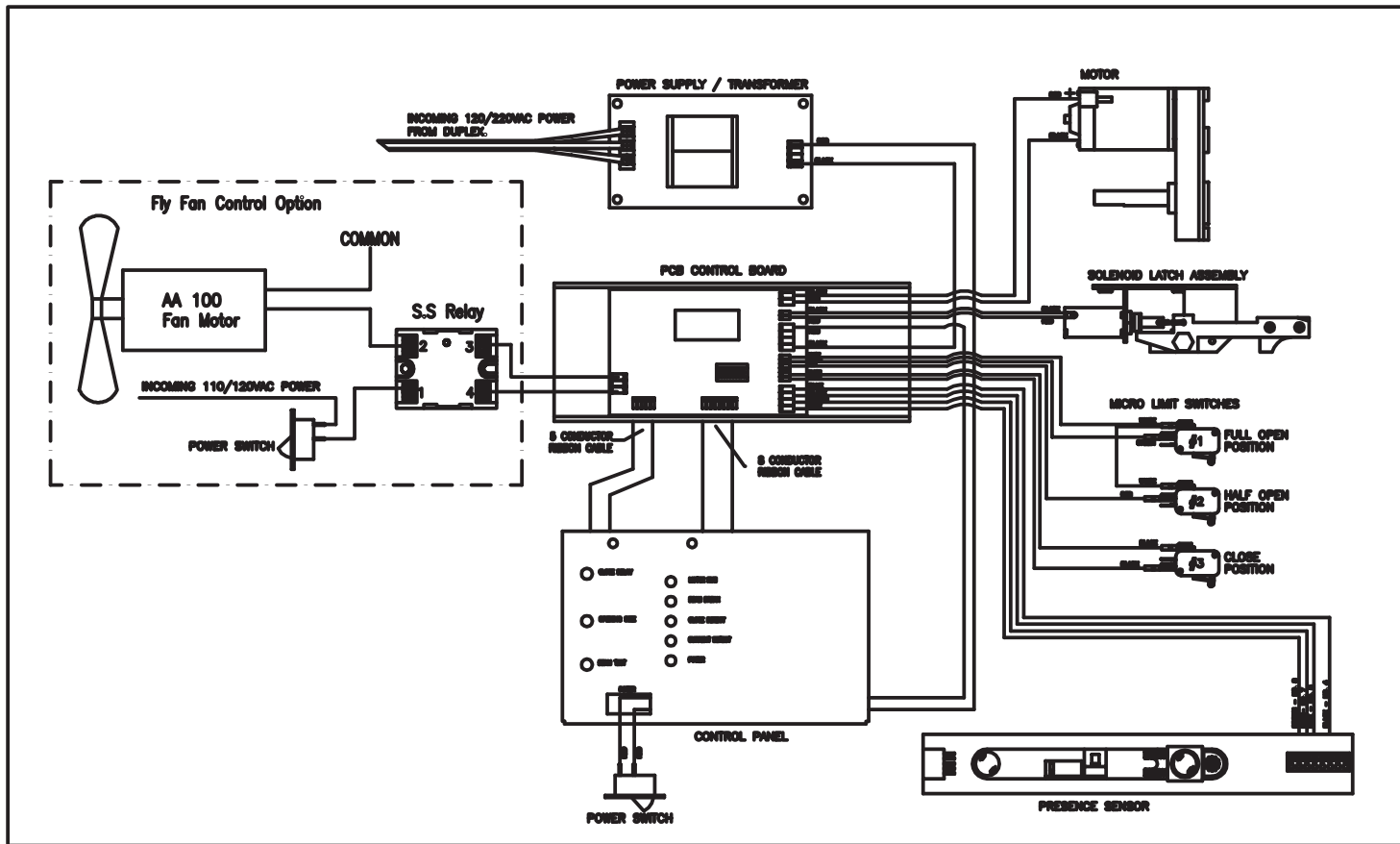
R/L

85150510

Solenoid and Hook Assembly



REF ID #	PART NUMBER	DESCRIPTION	REF ID #	PART NUMBER	DESCRIPTION
1	Call for Part #	Door Assy - R/H BR	3	<a href="#">85183400</a>	Hanging Hardware Kit
1	Call for Part #	Door Assy - R/H CL	4	<a href="#">85197000</a>	Door Handle Kit – Man. & SC
1	Call for Part #	Door Assy - R/H BR 131-6	5	<a href="#">85004200</a>	Lock Assy – Dead Bolt
2	Call for Part #	Door Assy - L/H BR	6	<a href="#">85004500</a>	Thumb Turn – Long
2	Call for Part #	Door Assy - L/H CL	7	85002600	Door Handle Kit – 131M
2	Call for Part #	Door Assy - L/H BR 131-6			



WORK TO DIMENSIONS-DO NOT SCALE TOL. UNLESS SPECIFIED XXXX TOL. NOT REQ'D TOL. CLASS ± .030 ANGULAR TOL. ± 1°	<b>USED IN PRODUCTS:</b> 131	<b>DESIGN BY:</b> SRH <b>DATE:</b> 2/13/04	<b>MATERIAL:</b> Elec Components <b>MATERIAL SPEC:</b>	 <small>1000 North Drive • West Chicago, IL 60185-3000 • 630-315-7100 • Fax 630-315-7101</small>
	<b>REVISION:</b> B	<b>DRAWN BY:</b> SC	<b>GAUGE:</b>	
	<b>REVISION DATE:</b> 1-30-09	<b>DATE:</b> 2/15/04		
	<b>LATEST REVISION NOTE:</b> REV B=REVISED FLY FAN CONTROL OPTION			
<b>DESCRIPTION:</b> 131 Wiring Diagram				<b>PART. NO.:</b> N/A

## Appendix B Adjusting or Re-hanging the Doors

The distance of the door(s) above the mullion or counter top is adjusted by turning the eccentric nuts located in the corners at the top of each door. (See figure 11 – page 16) The exploded view of the assembly is shown in Figure 1 below.

When a door has dropped, such that it impedes the movement of the doors, it is necessary to re-adjust both doors to a given distance above the counter top. This is accomplished by loosening the two Locking / Eccentric Nut combinations at the top of each door. Loosening the small locking nuts allows both doors to drop down and rest on the counter top.

Slide the doors inward to the closed position and lock using the night lock. Insert two shims about 0.100” in thickness under each door. One at each end of the doors is suggested. A standard coffee stir or a tongue depressor is a bout 0.100” thick. This allows the doors to set at a preset distance off the counter top.

Starting with one of the Locking / Eccentric Nut combinations turn the eccentric nut with until you feel resistance and/or notice that the door is beginning to rise. Keeping the eccentric nut in that position, tighten the locking nut down to approximately 30 lbs/in<sup>2</sup> of torque.

Repeat the above step for each of the remaining Locking / Eccentric Nut combinations. Remove the shims. The doors should now be at the proper height as well as being square with each other.

