



OPERATOR MANUAL

IMPORTANT INFORMATION, KEEP FOR OPERATOR

888-994-7636, fax 888-864-7636
unifiedbrands.net

THIS MANUAL MUST BE RETAINED FOR FUTURE REFERENCE. READ, UNDERSTAND AND FOLLOW THE INSTRUCTIONS AND WARNINGS CONTAINED IN THIS MANUAL.

FOR YOUR SAFETY Do not store or use gasoline or other flammable vapors and liquids in the vicinity of this or any other appliance.

WARNING R290 flammable refrigerant in use. Improper installation, adjustment, alteration, service or maintenance can cause property damage, injury or death. Read the installation, operating and maintenance instructions thoroughly before installing or servicing this equipment.

NOTIFY CARRIER OF DAMAGE AT ONCE It is the responsibility of the consignee to inspect the container upon receipt of same and to determine the possibility of any damage, including concealed damage. Randell suggests that if you are suspicious of damage to make a notation on the delivery receipt. It will be the responsibility of the consignee to file a claim with the carrier. We recommend that you do so at once.

Manufacture Service/Questions 888-994-7636.

This manual provides information for:

- CUSTOM PREP TABLES**
- LPNPO SERIES
- LPWPO SERIES
- NPO SERIES
- WPO SERIES
- NPR SERIES
- WPR SERIES

RETAIN THIS MANUAL FOR FUTURE REFERENCE

NOTICE: Due to a continuous program of product improvement, Randell reserves the right to make changes in design and specifications without prior notice.

NOTICE: Please read the entire manual carefully before installation. If certain recommended procedures are not followed, warranty claims will be denied.

MODEL NUMBER _____

SERIAL NUMBER _____

INSTALLATION DATE _____

The serial number is located behind the hinged vented door of the compressor machine compartment. An example is shown here.

SERIAL NUMBER **XXXXXXXXXX**
MODEL NUMBER **XXXXXXXXXX**
DESCRIPTION _____

IMPORTANT - READ FIRST - IMPORTANT

	CAUTION	AVERTISSEMENT RISQUE D'INCENDIE OU D'EXPLOSION. RÉFRIGÉRANT INFLAMMABLE UTILISÉ. SUIVEZ ATTENTIVEMENT LES INSTRUCTIONS DE MANUTENTION DANS LE RESPECT DES RÉGLEMENTS DU GOUVERNEMENT DES ÉTATS-UNIS.
A3 CLASSIFIED REFRIGERANT RISK OF FIRE OR EXPLOSION DUE TO FLAMMABLE REFRIGERANT USED. FOLLOW HANDLING INSTRUCTIONS CAREFULLY IN COMPLIANCE WITH THE U.S. GOVERNMENT REGULATIONS.		

	CAUTION	ATTENTION Risque d'incendie ou d'explosion dû à la perforation du tube de réfrigérant. Suivez attentivement les instructions de manipulation. Fluide frigorigène inflammable utilisé.
A3 CLASSIFIED REFRIGERANT RISK OF FIRE OR EXPLOSION DUE TO PUNCTURE OF REFRIGERANT TUBING; FOLLOW HANDLING INSTRUCTIONS CAREFULLY. FLAMMABLE REFRIGERANT USED.		
<small>PRECAUCIÓN Riesgo de incendio o explosión debido a la perforación de la tubería de refrigerante. Siga cuidadosamente las instrucciones de manejo. Refrigerante inflamable utilizado.</small>		

	CAUTION	MISE EN GARDE RISQUE D'INCENDIE OU D'EXPLOSION. ÉLIMINER (or DISPOSER), CORRECTEMENT CONFORMÉMENT AUX RÉGLEMENTATIONS FÉDÉRALES OU LOCALES. RÉFRIGÉRANT INFLAMMABLE UTILISÉ.
A3 CLASSIFIED REFRIGERANT RISK OF FIRE OR EXPLOSION. DISPOSE OF PROPERLY IN ACCORDANCE WITH FEDERAL OR LOCAL REGULATIONS. FLAMMABLE REFRIGERANT USED.		
<small>PRECAUCIÓN RIESGO DE INCENDIO O EXPLOSION. DESÉCHELO ADECUADAMENTE CONFORME A LOS REGLAMENTOS FEDERALES O LOCALES. REFRIGERANTE INFLAMABLE UTILIZADO.</small>		

	DANGER	DANGER RISQUE D'INCENDIE OU D'EXPLOSION. RÉFRIGÉRANT INFLAMMABLE UTILISÉ. POUR ÊTRE RÉPARÉ OUE PAR UN TECHNICIEN QUALIFIÉ. NE PAS PERFORER LE TUBE RÉFRIGÉRANT.
A3 CLASSIFIED REFRIGERANT RISK OF FIRE OR EXPLOSION. FLAMMABLE REFRIGERANT USED. TO BE REPAIRED ONLY BY TRAINED SERVICE PERSONNEL. DO NOT PUNCTURE REFRIGERANT TUBING.		

	CAUTION	MISE EN GARDE RISQUE D'INCENDIE OU D'EXPLOSION. RÉFRIGÉRANT INFLAMMABLE UTILISÉ. CONSULTER LE MANUEL DE RÉPARATION / GUIDE DE L'UTILISATEUR AVANT D'ESSAYER D'INSTALLER OU DE RÉPARER CE PRODUIT. TOUTES LES PRÉCAUTIONS DOIVENT ÊTRE RESPECTÉES.
A3 CLASSIFIED REFRIGERANT RISK OF FIRE OR EXPLOSION. FLAMMABLE REFRIGERANT USED. CONSULT REPAIR MANUAL / OWNER'S GUIDE BEFORE ATTEMPTING TO INSTALL OR SERVICE THIS PRODUCT. ALL SAFETY PRECAUTIONS MUST BE FOLLOWED.		
<small>PRECAUCIÓN RIESGO DE INCENDIO O EXPLOSION. REFRIGERANTE INFLAMABLE UTILIZADO. CONSULTE EL MANUAL DE REPARACIÓN / MANUAL DEL USUARIO ANTES DE INSTALAR O REPARAR ESTE PRODUCTO. DEBEN SEGUIRSE LAS PRECAUCIONES DE SEGURIDAD.</small>		

	DANGER	RISQUE D'INCENDIE OU D'EXPLOSION. INFLAMMABLE RÉFRIGÉRANT UTILISÉ. NE PAS UTILISER DE DISPOSITIFS MÉCANIQUES POUR DÉGIVRE LE RÉFRIGÉRATEUR. NE FAIRE AUCUN TUBE RÉFRIGÉRANT DE PONCTION.	WARNING / ALERTE
A3 CLASSIFIED REFRIGERANT RISK OF FIRE OR EXPLOSION. FLAMMABLE REFRIGERANT USED. DO NOT USE MECHANICAL DEVICES TO DEFROST REFRIGERATOR. DO NOT PUNCTURE REFRIGERANT TUBING.			<small>DO NOT REMOVE PANEL - HIGH VOLTAGE - QUALIFIED PERSONNEL ONLY NE PAS RETIRER LE PANEAU - HAUTE TENSION - PERSONNEL QUALIFIÉ SEULEMENT NO RETIRE EL PANEL - ALTA TENSION - CALIFICADO PERSONAL</small>
<small>RIESGO DE INCENDIO O EXPLOSION. REFRIGERANTE INFLAMABLE UTILIZADO. NO UTILICE DISPOSITIVOS MECÁNICOS PARA DESCONGELAR EL REFRIGERADOR. NO PERFORE LA TUBERÍA DEL REFRIGERANTE.</small>			CAUTION / ATENCIÓN
			<small>MOVING PARTS. DO NOT OPERATE WITH COVER REMOVED PIÈCES MOBILES NE PAS FAIRE FONCTIONNER SANS COUVERCLE LAS PIEZAS DE MOVIMIENTO NO FUNCIONAN CON LA CUBIERTA RETIRADA</small>



Information contained in this document is known to be current and accurate at the time of printing/creation. Reference our product line website for the most updated product information and specifications. © 2023 Electrolux Professional, Inc. All Rights Reserved.

INSTALLATION

CAUTION: THIS UNIT CONTAINS R290 FLAMMABLE REFRIGERANT. USE CAUTION WHEN HANDLING MOVING AND USE OF THE REFRIGERATOR OR FREEZER. AVOID DAMAGING THE REFRIGERANT TUBING OR INCREASE THE RISK OF A LEAK.

WARNING: FAILURE TO FOLLOW INSTALLATION GUIDELINES AND RECOMMENDATIONS MAY VOID THE WARRANTY ON YOUR UNIT.

WARNING: IT IS IMPORTANT THAT YOUR UNIT HAS ITS OWN DEDICATED LINE. CONDENSING UNITS ARE DESIGNED TO OPERATE WITH A VOLTAGE FLUCTUATION OF PLUS OR MINUS 10% OF THE VOLTAGE INDICATED ON THE UNIT DATA TAG. BURN OUT OF A CONDENSING UNIT DUE TO EXCEEDING VOLTAGE LIMITS WILL VOID THE WARRANTY.

THE DANFOSS CONTROLLER HAS LOW VOLTAGE PROTECTION AND WILL NOT OUTPUT VOLTAGE TO THE COMPRESSOR IF VOLTAGE IS LESS THAN 104V.

WARNING: IT IS IMPORTANT THAT A VOLTAGE READING BE MADE AT THE COMPRESSOR MOTOR ELECTRICAL CONNECTIONS, WHILE THE UNIT IS IN OPERATION TO VERIFY THE CORRECT VOLTAGE REQUIRED BY THE COMPRESSOR IS BEING SUPPLIED. LOW OR HIGH VOLTAGE CAN DETRIMENTALLY AFFECT OPERATION AND THEREBY VOID ITS WARRANTY.

WARNING: EVAPORATOR FANS RUN CONTINUOUSLY WHILE THE BASE IS POWERED ON.

WARNING: THIS UNIT IS INTENDED FOR USE IN LABORATORIES IN COMMERCIAL, INDUSTRIAL, OR INSTITUTIONAL OCCUPANCIES AS DEFINED IN THE SAFETY STANDARD FOR REFRIGERATION SYSTEMS, ASHRAE 15.

SELECTING A LOCATION FOR YOUR NEW UNIT

The following conditions should be considered when selecting a location for your unit:

- Floor Load:** The area on which the unit will rest must be level, free of vibration, and suitably strong enough to support the combined weights of the unit plus the maximum product load weight. All casters must be in contact with the floor to support the weight. Casters may require shims in order for the caster to be in contact with the floor. **NOTE:** If there is a question pertaining to weight load limits, consult the factory at 1-888-994-7636.
- Ventilation:** The air cooled self contained unit requires a sufficient amount of cool clean air. Avoid surrounding your unit around other heat generating equipment and out of direct sunlight. Also, avoid locating in an unheated room or where the room temperature may drop below 70° F (21°C) or above 86°F (32°C). Do not place any object that can block the ventilation exhaust from the machine compartment register.
- Clearance:** This unit has the clearance requirements are as follows - 0 in. at the top, 0 in. at the rear and 0 in. at each side

INSTALLATION CHECKLIST

After the final location has been determined, refer to the following checklist prior to start-up:

- Check all exposed refrigeration lines to ensure that they are not kinked, dented, or rubbing together or rubbing against any steel.
- Check all visible components for any potential damage.
- Check that the condenser and evaporator fans rotate freely without striking any stationary members.
- Unit must be properly leveled; Check all legs or casters ensure they all are in contact with the floor while maintaining a level work surface. Adjusting bullet feet height or shimming casters may be necessary if the floor is not level. **NOTE:** Damage to equipment may result if not followed. Randell is not responsible for damage to equipment if improperly installed.
- Plug unit into power source. Unit will come on. If unit does not turn on, refer to controller operation section of this manual to manually turn on the unit.
- Allow unit time to cool down to holding temperature. If temperature adjustments are required, the control is located on the front panel. Confirm that the units is holding the desired temperature.

- If unit has drawers, check drawer to ensure the drawer slides freely and fully extends along with seating in the cabinet properly when closed.
- Refer to the front of this manual for serial number location. Please record this information in your manual on page 1 now. It will be necessary when ordering replacement parts or requesting warranty service.
- Allow your unit to operate for approximately 45 minutes before putting in food in the rail. Allow 2 hours for base of the unit to cool down to storage temperature, prior to loading product. **NOTE:** All motors are oiled and sealed.

ELECTRICAL SUPPLY

The wiring should be done by a qualified electrician in accordance with local electrical codes. A properly wired and grounded outlet will assure proper operation. Please consult the data tag attached to the compressor to ascertain the correct electrical requirements. Supply voltage and amperage requirements are located on the serial number tag located on the rear interior wall.

OPERATION

DAILY OPERATING INSTRUCTIONS

EASY MORNING STARTUP

- Turn on the condiment rail by pressing and holding the rail control power button until the LED display turns on. Let the unit cool for a minimum of 45 minutes.
- Load the product pans as needed. The loaded product should be 36°F or below for best results.

FOOD-SAFE OPERATIONS

- Closing the lids on the condiment rail during non-peak hours will extend the holding time of food product.
- The frost above the product pans may come and go during the day -- this is normal. The unit automatically regulates the rail temperature to keep your food safe and fresh.

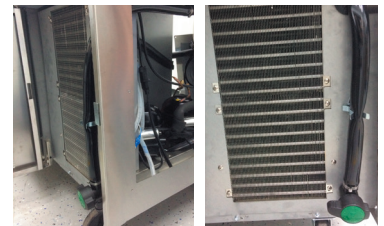
NIGHTLY ENERGY-SAVING SHUTDOWN

- Remove the product pans from the upper rail and place in the conveniently located base storage, or any other suitable cold-storage area.
- Turn off the condiment rail by pressing and holding the rail control power button until the LED display turns off.
- Remove any food "spillage" or debris, rinse and sanitize rail removing any excess water through the drain system located at the end of the unit into a suitable water tight container.
- Close the rail lid to minimize dust and debris contamination.
- The base will continue to operate normally and may be used for overnight storage. *This equipment is intended for use in rooms having an ambient temperature of 30°C/86°F or less. (NSF labeling requirement). Contact factory for Spanish instructions at 888.994.7636.*

MECHANICAL COMPARTMENT

WARNING: BASE EVAPORATOR FANS ARE ALWAYS IN OPERATION WHEN THE UNIT IS ENERGIZED. DISCONNECT POWER TO THE UNIT PRIOR TO PERFORMING MAINTENANCE.

- To power on the base, press and hold the base control power button until the LED display turns on. To power on the rail, press and hold the rail control power button until the LED display turns on. The power controls are located above the louver panel.
- To power off the base press and hold the base control power button until the LED display turns off. To power off the rail press and hold the rail control power button until the LED display turns off. The power controls are located above the louver panel.
- The drain valve for the upper rail is found behind the hinged vented door. The rail may be drained by placing a pan under the drain valve and opening the valve. (See Evening Shut Down of Prep Rail).



MORNING STARTUP OF PREP RAIL

- Unit cleaning may be performed at this time.
- Turn on unit. See item 2 under the Mechanical Compartment section above for powering on the rail.
- Allow a minimum 45 minutes for your unit to cool down before loading product. A uniform frost pattern will appear on side walls and bottom of prep rail area.
- Load the product and proceed with food preparation. **NOTE:** Product entering unit must be at 35°F +/- 2°F.

EVENING SHUT DOWN OF PREP RAIL

1. Remove product from unit at the end of the day's preparation.
2. Turn off unit. See item 3 under the Mechanical Compartment section above for powering on the rail.
3. Unit cleaning may be performed at this time if the frost has melted off the surface.
4. Once defrosted, the rail drain may be opened to remove any water that has resulted from the defrosting procedure.






WARNING: IT IS RECOMMENDED TO ONLY MAKE CHANGES OF 2 DEGREE INCREMENTS AT A TIME. ALLOW FOR THE UNIT TO OPERATE 24 HOURS BETWEEN ADJUSTMENTS. IF THE 2 DEGREE ADJUSTMENT IS NOT ENOUGH ANOTHER ADJUSTMENT CAN BE MADE. IF THE SETTINGS NEED TO GO ABOVE OR BELOW THIS POINT THERE MAY BE OTHER CONTRIBUTING FACTORS AS TO THE CAUSE OF THE TEMPERATURE VARIANCES, PLEASE CONTACT THE FACTORY AT 1-800-621-8560.

AMBIENT CONDITIONS

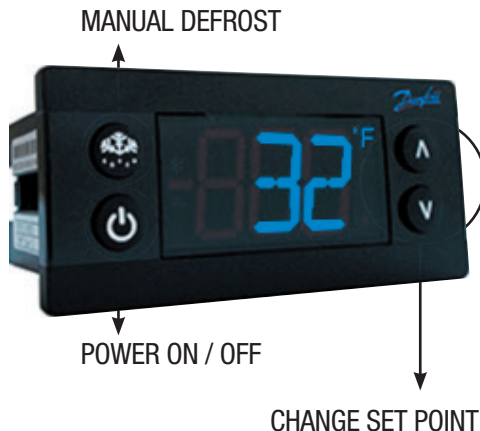
Unit is designed for normal operating temperatures between 70° F (21°C) - 86°F (32°C). Operating outside of those temperatures may cause premature product wear or failure.

Randell has attempted to preset the temperature control to ensure that your unit runs at an optimum temperature, but due to varying ambient conditions, including elevation, food type and your type of operation, you may need to alter this temperature using control adjustment until desired temperature is reached.

DANFOSS CONTROLLER OPERATION

LED	FUNCTION
	Compressor energized & Evaporator fan de-energized
	Defrost in progress
	Fans delay after defrost completion
	Evaporator fan energize
	An alarm is occurring
°C / °F	Temperature unit

Note: The rail control display temperature is not the air temperature or the food temperature within the rail. Display may show a colder temperature than what's perceived in the rail. Base temperatures reflect the actual return air but closer represent the base air temperatures.



POWER ON / OFF: Press and hold the power button until LED display turns On / Off

MANUAL DEFROST: Press and hold "Defrost" Button

CHANGE SET POINT: To raise temperature

1. Press and hold "Λ" to access set point.
2. When set point start flashing, Press "Λ" to adjust set point.
3. After 30 seconds, the display automatically reverts to showing the current temperature.

CHANGE SET POINT: To lower temperature

1. Press and hold "v" to access set point.
2. When set point start flashing, Press "v" to adjust set point.
3. After 30 seconds, the display automatically reverts to showing the current temperature.

CHANGE FROM °F /°C :

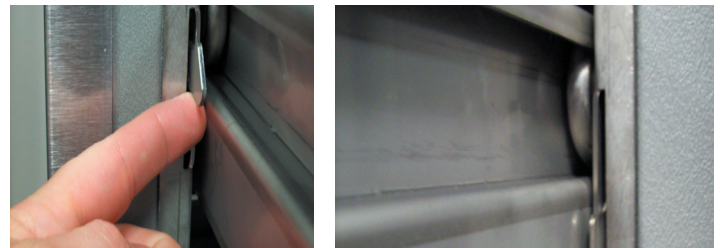
1. Press the up/down buttons simultaneously for 5 seconds to access the menu.
2. Password is requested. Password is 000.
3. Press the bottom left button to OK the password.
4. Using the up/down buttons, navigate to the "diS" level. Press the bottom left button to OK the selection.
5. Using the up/down buttons, navigate to the "CFu" level. Press the bottom left button to OK the selection.
 - a. "-F" designates Fahrenheit.
 - b. "-C" designates Celsius.
6. Press the top left button repeatedly to return to exit and return to the home screen.

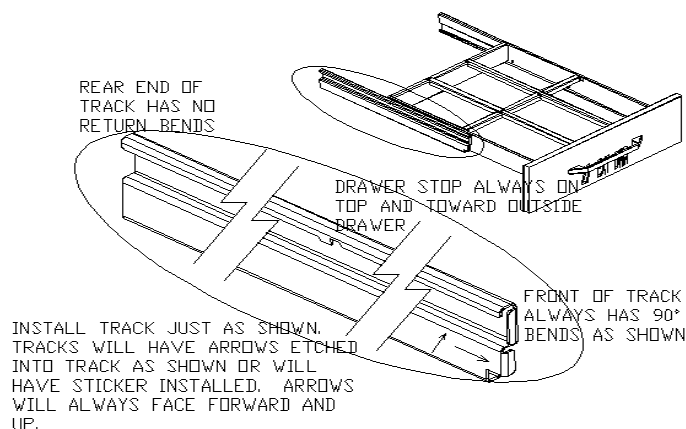
DRAINING THE RAIL

1. Open hinged mechanical compartment door
2. Place container under drain valve
3. Open valve until all water has drained
4. Close valve
5. Discard water

DRAWER REMOVAL

1. Fully extend the drawer that is to be removed.
2. Remove product pans from drawer.
3. Lift up the drawer stop tabs on each side of drawer track.
4. Pull drawer out while lifting the tabs.





DRAWER INSTALLATION

To remove and re-install individual drawers and drawer tracks, please refer to the figure above for proper installation instructions.

MAINTENANCE

- WARNING: DO NOT USE SHARP UTENSILS AND/OR OBJECTS.**
- WARNING: DO NOT USE STEEL PADS, WIRE BRUSHES, SCRAPERS, OR CHLORIDE CLEANERS TO CLEAN YOUR STAINLESS STEEL.**
- CAUTION: DO NOT USE ABRASIVE CLEANING SOLVENTS, AND NEVER USE HYDROCHLORIC ACID (MURIATIC ACID) ON STAINLESS STEEL.**
- WARNING: DO NOT PRESSURE WASH EQUIPMENT AS DAMAGE TO ELECTRICAL COMPONENTS MAY RESULT.**

Randell strongly suggests a preventive maintenance program which would include the following monthly, weekly, and daily procedures:

If a failure of the equipment is a direct result of any of the Preventative Maintenance guidelines being neglected, the repairs and parts replacements will not be covered under warranty.

It is recommended that the customer contact the local Authorized Service Agent to provide a quote to perform periodic Preventative Maintenance.

WEEKLY PM PROCEDURES

1. Clean all gaskets on a weekly if not daily basis with a solution of warm water and a mild detergent to extend gasket life. Do not use bleach for cleaning gaskets. Bleach will cause the gaskets to become brittle and not reach their normal life expectancy.
2. Clean and disinfect rail drains with a solution of warm water and mild detergent on a weekly basis. It is recommended to open and close the drain valve as the hot water is flowing through to clean any debris from the internal valve components.

MONTHLY PM PROCEDURES

1. Cleaning of all condenser coils on a monthly basis. Condenser coils are a critical component in the life of the compressor and must remain clean to assure proper air flow and heat transfer. Failure to maintain this heat transfer will affect unit performance and eventually destroy the compressor. Clean the condenser coils with coil cleaner and/or a vacuum, cleaner and brush. NOTE: Brush coil in direction of fins, normally vertically as to not damage or restrict air from passing through condenser.
2. Clean and disinfect drain lines and evaporator pan with a solution of warm water and mild detergent on a monthly basis. Remove clear plastic drain line from plastic tray of condensing unit and place pan under end of drain tube. Discard waste water from pan when cleaning is complete. Re-insert plastic drain tube into position on condensing unit.

3. Remove drawer tracks as per instructions on Drawer Installation guidelines. Once drawers are removed wipe away any debris buildup from the drawer tracks.

The roller bearings come lubricated from the factory. Excessive oils and or water may remove the oils. It may be required to add lithium grease from time to time on bearings that appear dry.

4. Inspect all silicone seams at interior of the rail and refrigerated base cabinet on a monthly basis. Re-apply food grade silicone sealant as needed to any seams where silicone has peeled away or cracked. Apply silicone to a clean dry surface. Allow sufficient drying time to assure best adhesion of sealant.

RECOMMENDED CLEANERS FOR YOUR STAINLESS STEEL INCLUDE THE FOLLOWING:

JOB	CLEANING AGENT	COMMENTS
Routine cleaning	Soap, ammonia, detergent Medallion	Apply with a sponge or cloth
Fingerprints and smears	Arcal 20, Lac-O-Nu, Ecoshine	Provides a barrier film
Stubborn stains and discoloration	Cameo, Talc, Zud, First Impression	Rub in the direction of the polish lines
Greasy and fatty acids, blood, burnt-on foods	Easy-Off, Degrease It, Oven Aid	Excellent removal on all finishes
Grease and Oil	Any good commercial detergent	Apply with a sponge or cloth
Restoration/Preservation	Benefit, Super Sheen	Good idea monthly

Reference: Nickel Development Institute, Diversey Lever, Savin, Ecolab, NAFEM

Proper maintenance of equipment is the ultimate necessity in preventing costly repairs. By evaluating each unit on a regular schedule, you can often catch and repair minor problems before they completely disable the unit and become burdensome on your entire operation.

For more information on preventive maintenance, consult your local service company or CFESA member. Most repair companies offer this service at very reasonable rates to allow you the time you need to run your business along with the peace of mind that all your equipment will last throughout its expected life. These services often offer guarantees as well as the flexibility in scheduling or maintenance for your convenience. For a complete listing of current Randell ASA please visit www.unifiedbrands.net.

Randell believes strongly in the products it manufactures and backs those products with one of the best warranties in the industry. We believe with the proper maintenance and use, you will realize a profitable return on your investment and years of satisfied service.

REPLACEMENT PARTS

To order parts, contact your Authorized Service Agent. Supply the model designation, serial number, part description, part number, quantity, and when applicable, voltage and phase.

CONTACT US

If you have questions pertaining to the content in this manual, contact Randell at 888-994-7636.

TROUBLESHOOTING

This unit is designed to operate smoothly and efficiently if properly maintained. However, the following is a list of checks to make in the event of a problem. Wiring diagrams are found at the end of this manual. When in doubt, turn unit off and contact service at 888-994-7636.

SYMPTOM	POSSIBLE CAUSE	PROCEDURE
Unit does not run	No power to unit	Plug in unit
	Control in OFF position	Turn controller on
	Faulty control	Call for service at 888-994-7636
Unit too cold	Incorrect set point	Adjust control set point
Unit too warm	Door / drawer ajar	Ensure door / drawer is fully closed
	Gasket torn or out of place	Inspect the gasket for wear and position
	Incorrect set point	Adjust control set point
	Warm product introduced to cabinet	Pre-chill product 37°F
	Ice on the coil	Initiate manual defrost
Unit noisy	Ice on the coil	Initiate manual defrost
Unit does not defrost	Excessive ice on the coil	Initiate manual defrost

SERVICE

CAUTION: COMPONENT PARTS SHALL BE REPLACED WITH FACTORY OEM PARTS. SERVICE WORK SHALL BE DONE BY FACTORY AUTHORIZED SERVICE PERSONNEL, SO AS TO MINIMIZE THE RISK OF POSSIBLE IGNITION DUE TO INCORRECT PARTS OR IMPROPER SERVICE.

CAUTION: BEFORE MAKING ANY REPAIRS, ENSURE THE UNIT IS DISCONNECTED FROM ITS POWER SOURCE.

This piece of equipment uses a R290 Refrigeration system. This equipment has been clearly marked on the serial tag the type of refrigerant that is being used. There is also a warning labels stating that the unit contains R290 refrigerant. R290 is safe to use as long as you follow these warning labels.

No smoking or open flames when servicing this equipment. If needed, use a CO2 or powder type fire extinguisher.

Replacement parts used on any R290 Refrigeration system cabinet must have specific UL certification for non-sparking components.

Only authorized service technician, certified in R290 system should service this equipment.

MANIFOLD SET

A R134A manifold set can be used for servicing this equipment.

REFRIGERANT RECOVERY

Follow all national and local regulations for R-290 refrigerant recovery.

LEAKING CHECKING AND REPAIR

Leak check an R-290 system the same way you would an R-134a or R-404A system with the following exceptions.

1. Do not use a Halid leak detector on a R290 system.
2. Electronic leak detector must be designated specifically for combustible gas.

Use of a bubble solution or an ultrasonic leak detector are acceptable.

When repairing a leak, it is recommended using oxygen free dry nitrogen with a trace gas not exceeding 200PSI.

When accessing an R290 system, piercing valves are not to remain on the equipment in a permanent manner. After charge is recovered, Schrader valves are to be installed on the process stubs. Proper charge is to be weighed into the system and the system is to be leak checked afterwards.

The R290 equipment must have red process tubes and other devices through which the refrigerant is serviced, such as any service port. This color marking must remain on the equipment. If marking is removed, it must be replace and extend at least 2.5 centimeters (1") from the compressor.

CHARGING

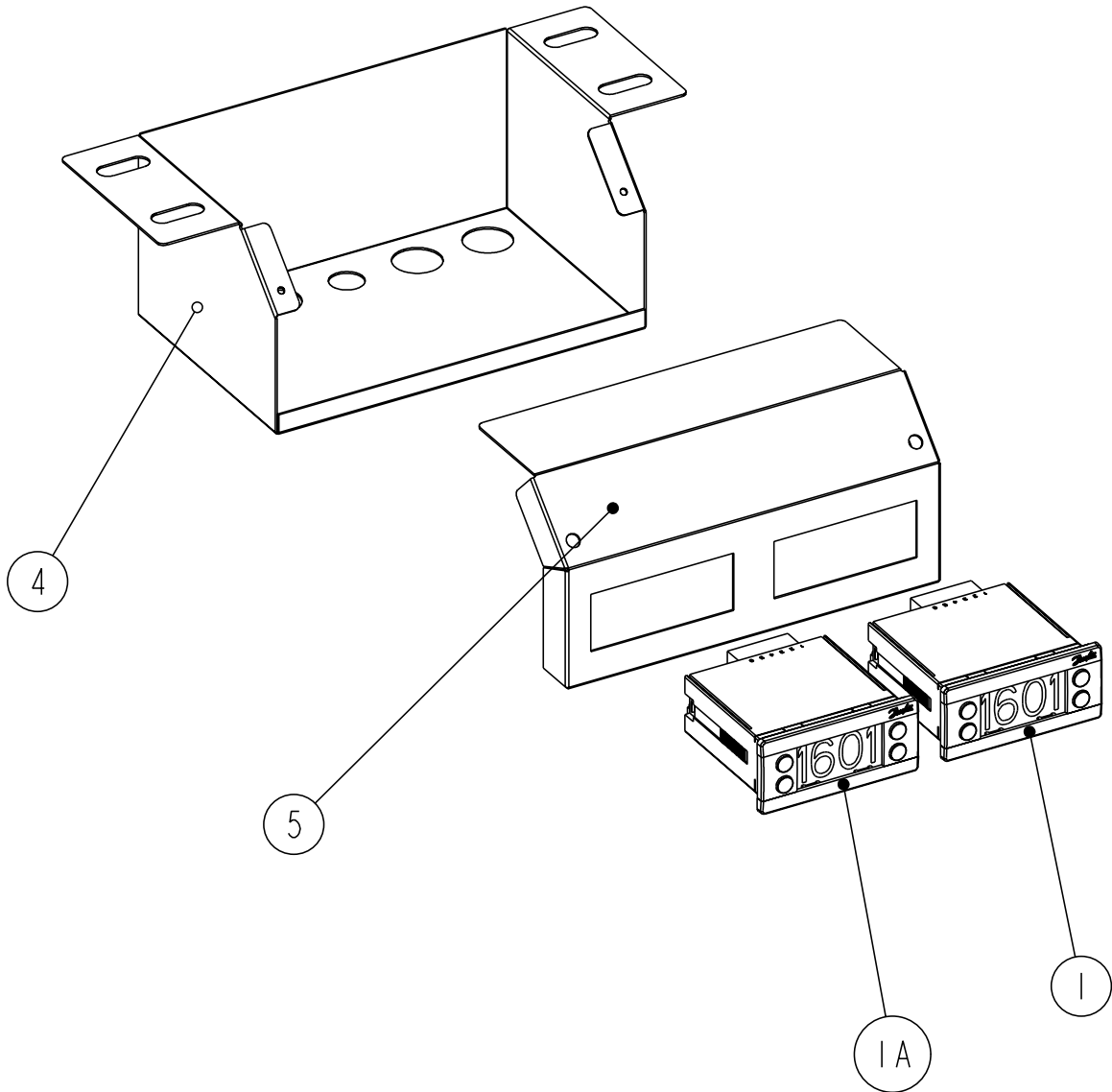
Follow the charge amount specified on the data tag. It is recommended to use the shortest hoses possible to prevent undercharging.

- Ensure the system is sealed and leak checked
- Evacuate system to a minimum 500 micron
- Weigh in correct charge
- Leak check the system again
- Bleed the refrigerant from the high side hose to the low side hose
- Disconnect the hoses
- Remove line taps

ELECTRICAL BOX

CALL FACTORY FOR REPLACEMENT PARTS:
888-994-7636

Parts List



ITEM	SERVICE PART	DESCRIPTION
1	RP CNT1804	CONTOLLER, PROGRAMMED - RAIL - SGL COMPR SYSM
1	RP CNT1805	CONTOLLER, PROGRAMMED - RAIL - DBL COMPR SYSM
1A	RP CNT1806	CONTOLLER, PROGRAMMED - BASE - SGL COMPR SYSM
1A	RP CNT1807	CONTOLLER, PROGRAMMED - BASE - DBL COMPR SYSM
2*	EL WIR469A	CORD, 14 GA 18" FEMALE 000469-14
3*	EL WIR1703	POWER CORD, 9' 16/3 W/90*-45* ANGLE PLUG (SJTO WIRE)
4	CONSULT FACTORY	BOX, ENCLOSURE
5	CONSULT FACTORY	BOX, FACE PLATE
6*	RF CNT1602	SENSOR, COIL
7*	RF CNT1603	SENSOR, AIR
8*	RF CNT1801	SENSOR, COIL - CLEAN COND

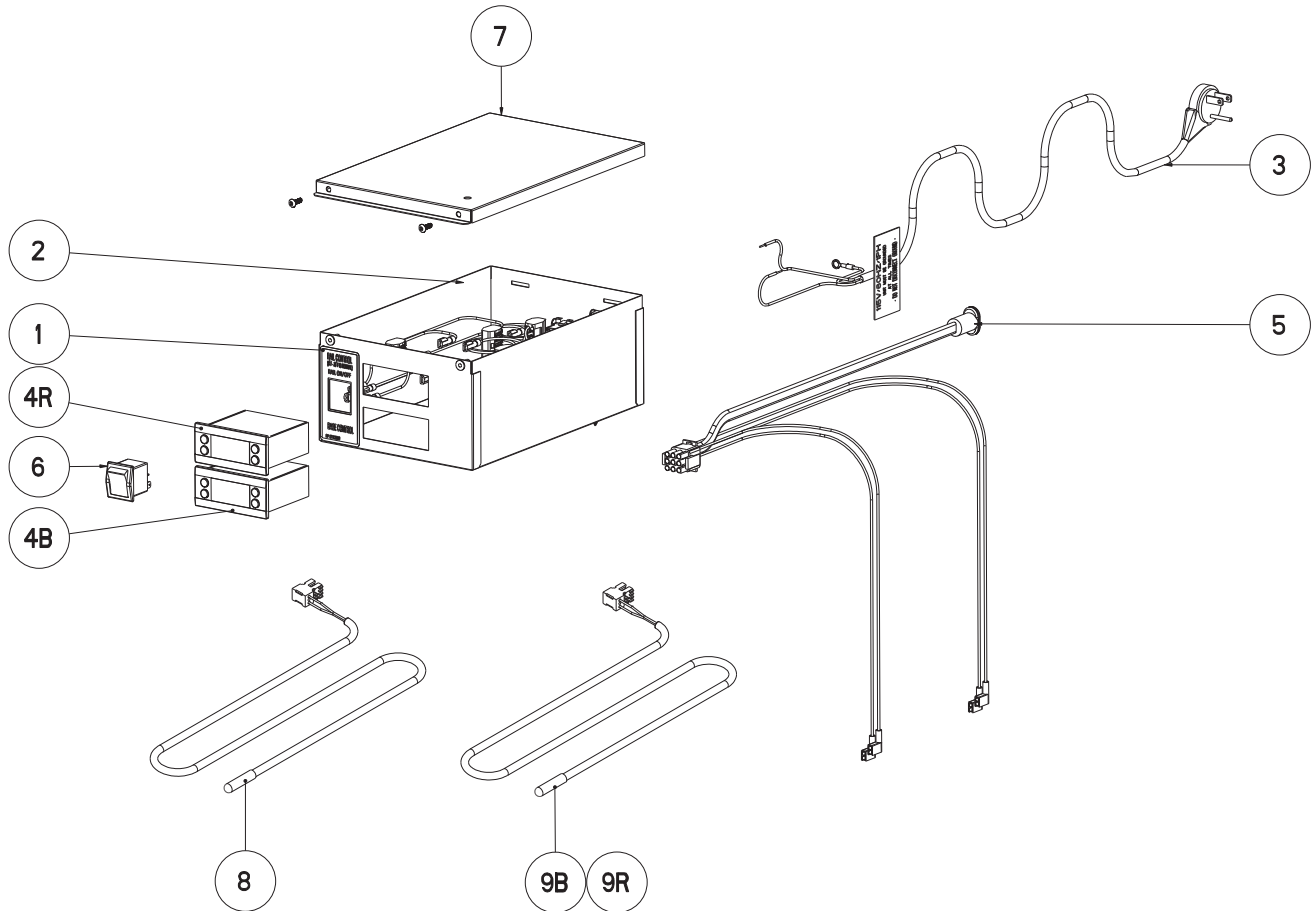
* = NOT SHOWN

**CONTROL BOX
SR BOX2103**

CALL FACTORY FOR REPLACEMENT PARTS:
888-994-7636

Parts List

2 COMPRESSORS – DUAL CIRCUIT CONDENSER - DANFOSS CONTROLS, START NOVEMBER 2022



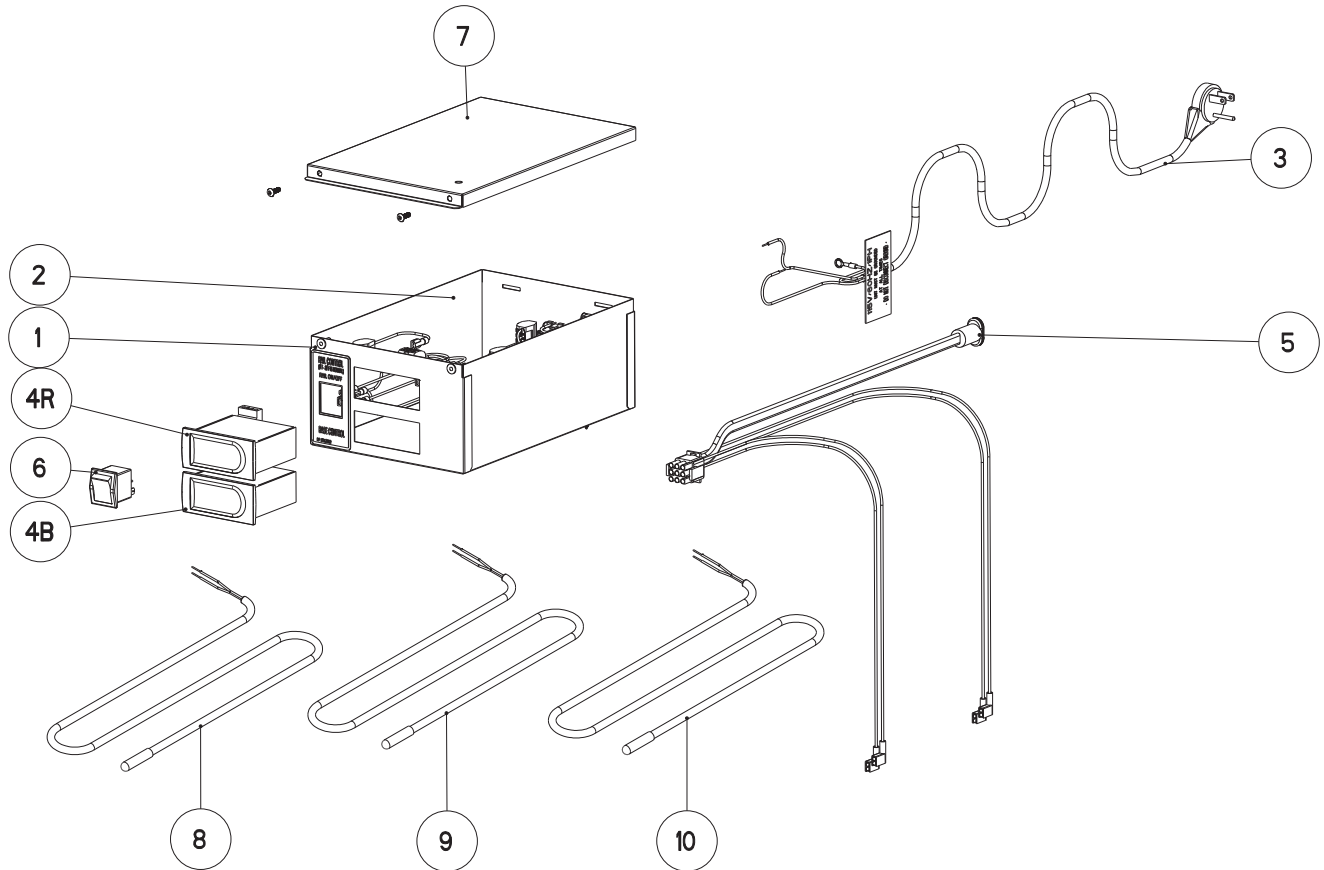
ITEM	SERVICE PART	QUANTITY	DESCRIPTION
1	SR BOX2103	1	CONTROL BOX, REFRIGERATOR DUAL CIRCUIT CONDENSER ASSEMBLY DANFOSS CONTROLS
2	RP BOX2103_01	1	CONTROL BOX DUAL CONTROL CONDENSER MOUNT 290 UNITS
3	EL WIR1703	1	POWER CORD, 9' 16/3 W/90°-45° ANGLE PLUG (SJTO WIRE)
4R	RP CNT1910RC	1	CONTROL ONLY, ERC112C , 8383-84111 RAIL CLEAN COND ALARM, PREPROGRAMMED
4B	RP CNT1910BC	1	CONTROL ONLY, ERC112C , 8383-84111 BASE CLEAN COND ALARM, PREPROGRAMMED
5	SR HARNESS2108	1	HARNESS, ASSEMBLY DUAL CIRCUIT COMPRESSORS, COND HEAT ELEMENT
6	EL SWT2001	1	SWITCH, ROCKER, 125-250V, 16A
7	RP BOX2103_02	1	COVER, DUAL CONTROL BOX COVER CONDENSER MOUNT R290
8	RF CNT1602	1	EVAPORATOR COIL SENSOR COIL BLUE
9B	RF CNT1603	1	EVAPORATOR COIL SENSOR AIR BLACK
9R	RF CNT1603	1	REFRIGERATOR RAIL SENSOR COIL BLACK

**CONTROL BOX
SR BOX2103C**

CALL FACTORY FOR REPLACEMENT PARTS:
888-994-7636

Parts List

2 COMPRESSORS – DUAL CIRCUIT CONDENSER - CAREL CONTROLS, START NOVEMBER 2022



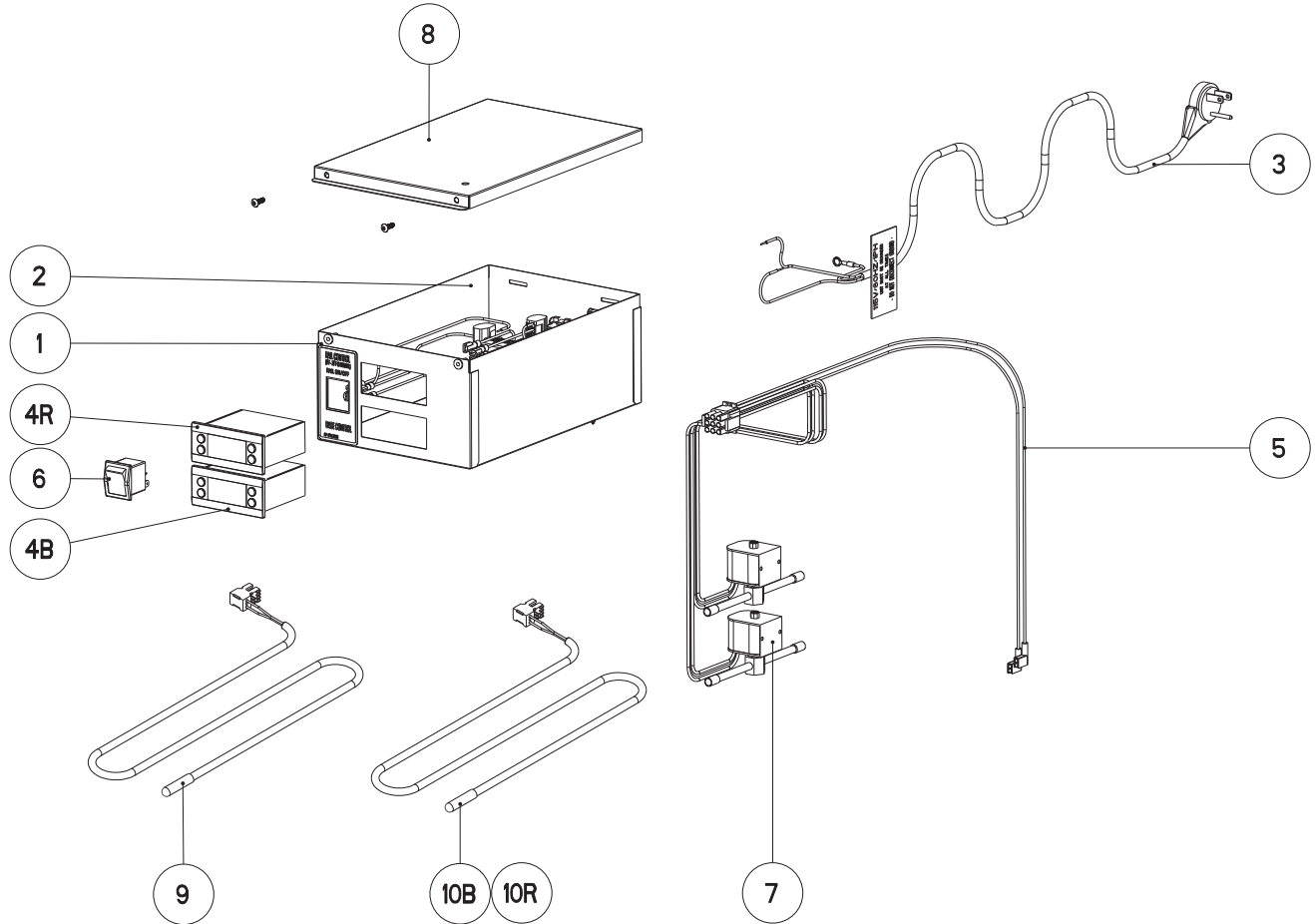
ITEM	SERVICE PART	QUANTITY	DESCRIPTION
1	SR BOX2103C	1	CONTROL BOX, REFRIGERATOR DUAL CIRCUIT CONDENSER ASSEMBLY CAREL CONTROLS
2	RP BOX2103_01	1	CONTROL BOX DUAL CONTROL CONDENSER MOUNT 290 UNITS
3	EL WIR1703	1	POWER CORD, 9' 16/3 W/90*-45* ANGLE PLUG (SJTO WIRE)
4R	RP CNT2209RC	1	CONTROL ONLY, CAREL , DBL COMP RAIL CLEAN COND ALARM, PREPROGRAMMED RF PRG2209R
4B	RP CNT2209BC	1	CONTROL ONLY, CAREL , DBL COMP BASE CLEAN COND ALARM, PREPROGRAMMED RF PRG2209B
5	SR HARNESS2108	1	HARNESS, ASSEMBLY DUAL CIRCUIT COMPRESSORS, COND HEAT ELEMENT
6	EL SWT2001	1	SWITCH, ROCKER, 125-250V, 16A
7	RP BOX2103_02	1	COVER, DUAL CONTROL BOX COVER CONDENSER MOUNT R290
8	RF CNT2104	1	THERMISTOR, QTIP68B-90F-120, 120" BLU E THERMISTOR 10K OHM Q-CURVE BETA 3435, NO MOLEX CONNECTOR, BARE STRIPPED LEADS (EVAP) CAREL
9	RF CNT2103	1	THERMISTOR, QTIP68-90F-120, 120" BLK THERMISTOR 10K OHM Q-CURVE BETA 3435, NO MOLEX CONNECTOR, BARE STRIPPED LEADS (AIR) CAREL
10	RF CNT2102	1	THERMISTOR, QTIP68-90F-60, 60IN BLK THERMISTOR 10K OHM Q-CURVE BETA 3435, NO MOLEX CONNECTOR, BARE STRIPPED LEADS (RAIL) CAREL

**CONTROL BOX
SR BOX2103S**

CALL FACTORY FOR REPLACEMENT PARTS:
888-994-7636

Parts List

SINGLE COMPRESSOR - DANFOSS CONTROLS, START NOVEMBER 2022



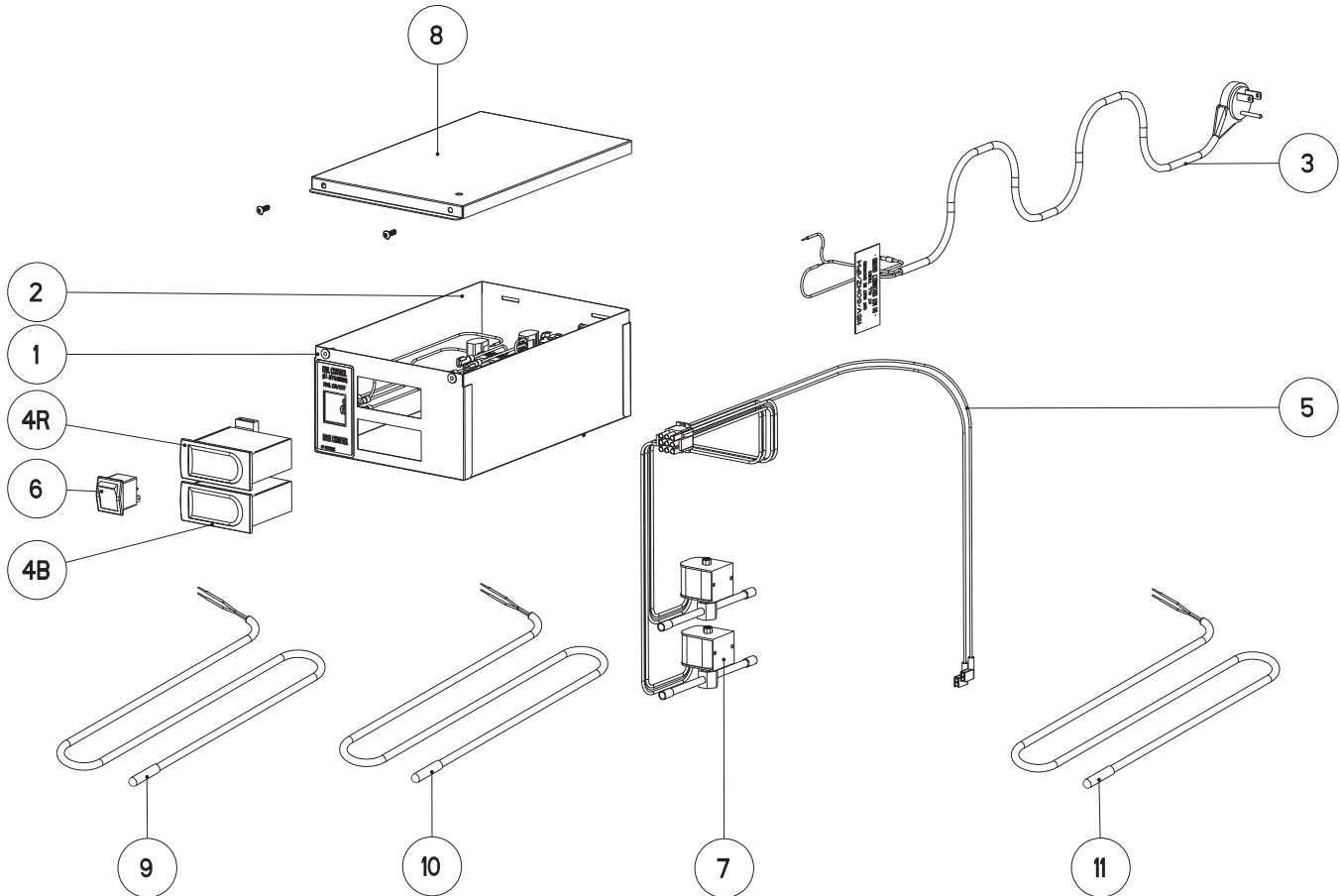
ITEM	SERVICE PART	QUANTITY	DESCRIPTION
1	SR BOX2103S	1	CONTROL BOX, CUSTOM REFRIG SINGLE COMP, COND COIL, DANFOSS CNTR ASSEMBLY
2	RP BOX2103_01	1	CONTROL BOX DUAL CONTROL CONDENSER MOUNT 290 UNITS
3	EL WIR1703	1	POWER CORD, 9' 16/3 W/90*-45* ANGLE PLUG (SJTO WIRE)
4R	RP CNT1720RC	1	CONTROL ONLY, 8148-8268 RAIL, ERC112C, PREPROGRAMMED
4B	RP CNT1908BC	1	CONTROL ONLY, 8148-8268 BASE CLEAN CONDENSER ALARM, ERC112C PREPROGRAMMED
5	SR HARNESS2112	1	HARNESS, ASSEMBLY SINGLE COMPRESSOR, RAIL AND BASE SOLENOIDS
6	EL SWT2001	1	SWITCH, ROCKER, 125-250V, 16A
7	RF SOL9801	2	SOLENOID, VALVE & 120V COIL 063455 ALCO 50RBT22SML N*
8	RP BOX2103_02	1	COVER, DUAL CONTROL BOX COVER CONDENSER MOUNT R290
9	RF CNT1602	1	EVAPORATOR COIL SENSOR COIL BLUE
10B	RF CNT1603	1	EVAPORATOR COIL SENSOR AIR BLACK
10R	RF CNT1603	1	REFRIGERATOR RAIL SENSOR COIL BLACK

**CONTROL BOX
SR BOX2103SC**

**CALL FACTORY FOR REPLACEMENT PARTS:
888-994-7636**

Parts List

SINGLE COMPRESSOR - CAREL CONTROLS, START NOVEMBER 2022



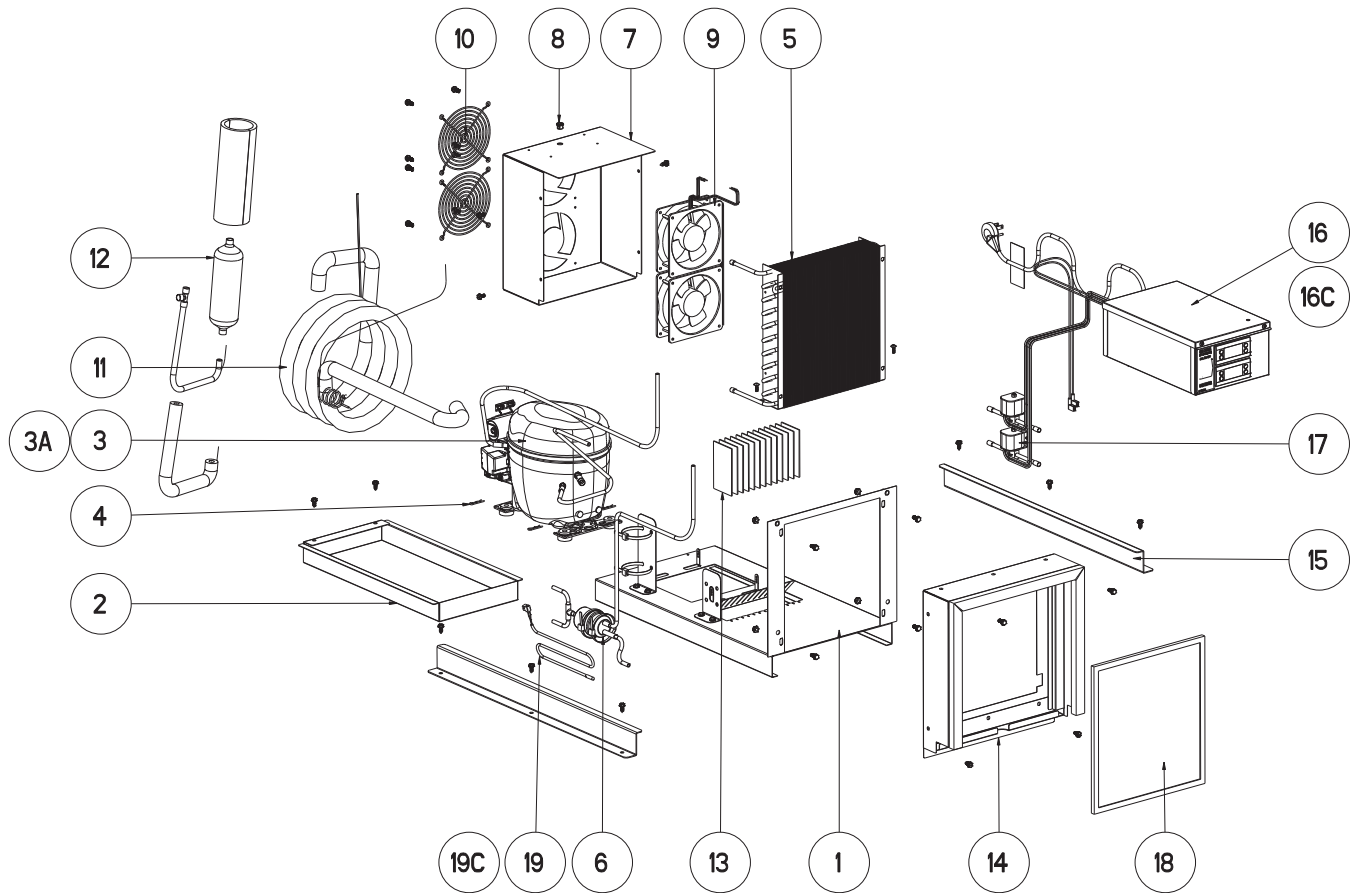
ITEM	SERVICE PART	QUANTITY	DESCRIPTION
1	SR BOX2103SC	1	CONTROL BOX, CUSTOM REFRIG SINGLE COMP, COND COIL, CAREL CNTR ASSEMBLY
2	RP BOX2103_01	1	CONTROL BOX DUAL CONTROL CONDENSER MOUNT 290 UNITS
3	EL WIR1703	1	POWER CORD, 9' 16/3 W/90*-45* ANGLE PLUG (SJTO WIRE)
4R	RP CNT2204RC	1	CONTROL ONLY, CAREL , 148-8268 RAIL, PZUAC0E520, PREPROGRAMMED RF PRG2204R
4B	RP CNT2208BC	1	CONTROL ONLY, CAREL , 8148-8268 BASE CLEAN CONDENSER ALARM, PZUAC0E520, PREPROGRAMMED RF PRG2208B
5	SR HARNESS2112	1	HARNESS, ASSEMBLY SINGLE COMPRESSOR, RAIL AND BASE SOLENOIDS
6	EL SWT2001	1	SWITCH, ROCKER, 125-250V, 16A
7	RF SOL9801	2	SOLENOID, VALVE & 120V COIL 063455 ALCO 50RBT22SML N*
8	RP BOX2103_02	1	COVER, DUAL CONTROL BOX COVER CONDENSER MOUNT R290
9	RF CNT2104	1	THERMISTOR, QTIP68B-90F-120, 120" BLUE THERMISTOR 10K OHM Q-CURVE BETA 3435, NO MOLEX CONNECTOR, BARE STRIPPED LEADS (EVAP) CAREL
10	RF CNT2103	1	THERMISTOR, QTIP68-90F-120, 120" BLK THERMISTOR 10K OHM Q-CURVE BETA 3435, NO MOLEX CONNECTOR, BARE STRIPPED LEADS (AIR) CAREL
11	RF CNT2102	1	THERMISTOR, QTIP68-90F-60, 60in BLK THERMISTOR 10K OHM Q-CURVE BETA 3435, NO MOLEX CONNECTOR, BARE STRIPPED LEADS (RAIL) CAREL

**MECHANICAL COMPARTMENT
SR RPKGCUST-SGL-290**

CALL FACTORY FOR REPLACEMENT PARTS:
888-994-7636

Parts List

SINGLE COMPRESSOR, START NOVEMBER 2022



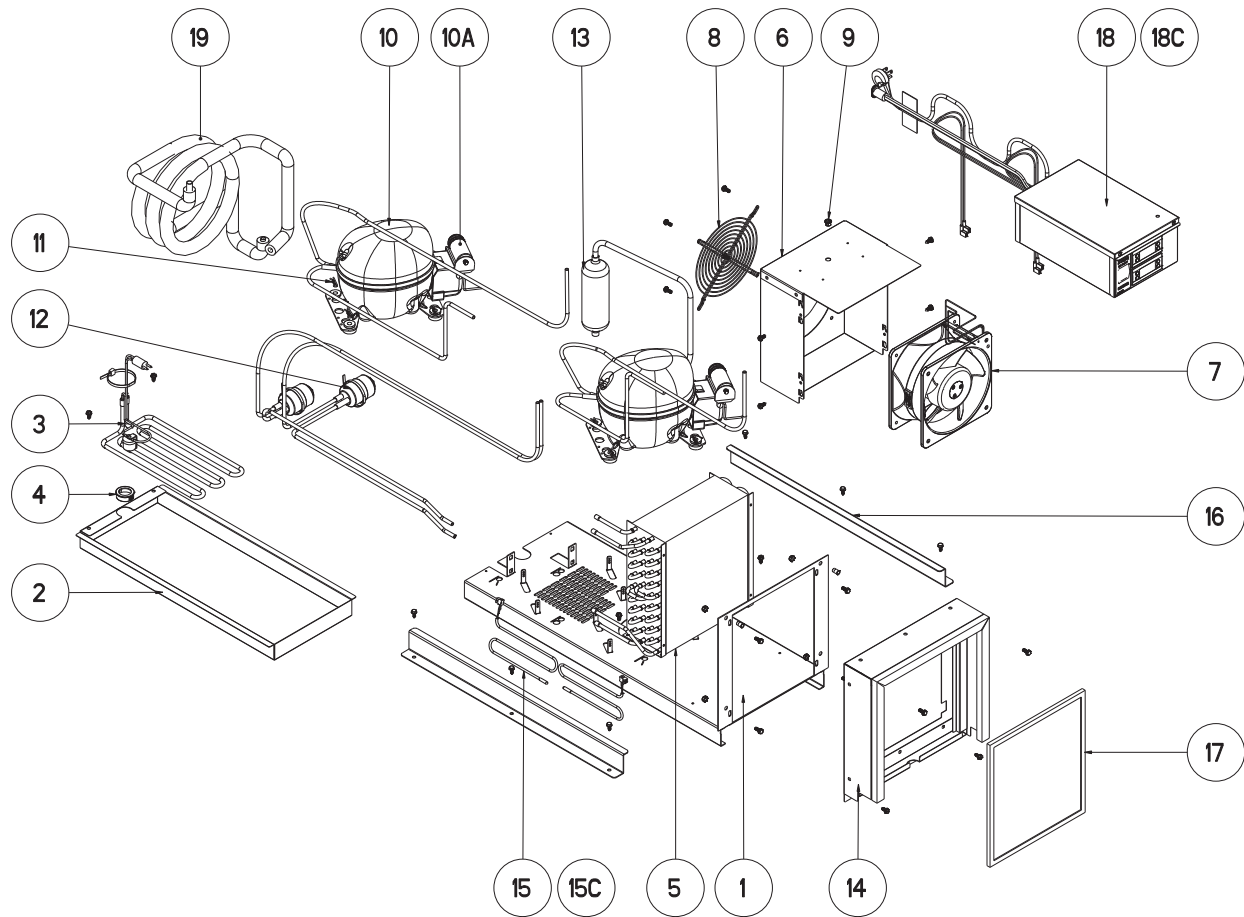
ITEM	SERVICE PART	QUANTITY	DESCRIPTION
1	RP RPKG 40CU	1	MOUNT, COMPRESSOR STAND ASSY, SNGL CMPR,290
2	RP RPKG 46	1	DRAIN PAN, SGL CPMR, 290
3	RF CMP1702	1	COMPRESSOR, 1/3HP R290 120V/60HZ EMBRACO FFU130UAX
3A	RF CMP1702SC	1	START COMPONENTS COMPRESSOR, 1/3HP R290 120V/60HZ EMBRACO FFU130UAX
4	HD PIN0601	4	PIN, HAIR COTTER, WIRE .072D L=1-1/8" ZINC PLATED
5	RF COI1603	1	COIL, 3.46" X 9.00" X 5.90"CONDENSER
6	RF FLT251	1	FILTER DRYER
7	RP RPKG 47	1	SHROUD, FAN - SINGLE CUSTOM 290
8	EL GRM375	1	GROMMET, HOLE 3/8 2030 SB375-4 (MP-SB03754) N*
9	RF FAN1401	2	FAN, AXIAL, 119 X 38MM, OPER/TEMP RANGE -30C-+70C,115V-50/60
10	RF FAN0703	2	FAN GUARD, NICKEL CHROME FINISH WIRE 116MM RND
11	SR WRP2202	1	WRAP, INSUL, 3/8" (85") COPPER, 0.059ID X 0.112 CAP, 132" LONG
12	RF ACM1801	1	ACCUMULATOR, 3/8" DIA X 7" LONG
13	HD WCK1702	13	PAD, WICKING, 7" X 3" X 1/16" FOR COND. PAN, MATERIAL-CRANEGLAS 232
14	RP RPKG 34	1	CONDENSING UNIT SHROUD, DBL COMP, DUAL COND
15	RP RPKG 36	2	BRACKET, CONDENSING UNIT MOUNTING SLIDING
16	SR BOX2103S	1	CONTROL BOX, CUSTOM REFRIG SINGLE COMP, COND COIL, DANFOSS CNTR ASSEMBLY
16C	SR BOX2103SC	1	CONTROL BOX, CUSTOM REFRIG SINGLE COMP, COND COIL, CAREL CNTR ASSEMBLY
17	RF SOL9801	2	SOLENOID, VALVE & 120V COIL 063455 ALCO 50RBT22SML N*
18	HD FLT0902	1	9 1/2" X 11" ALUMINUM FILTER
19	RF CNT1801	1	PROBE, COND COIL, YELLOW, CFA-290 FOR DANFOSS CONTROLS CLEAN CONDENSER
19C	RF CNT2102	1	THERMISTOR, QTIP68-90F-60, 60in BLK THERMISTOR 10K OHM Q-CURVE BETA 3435, NO MOLEX CONNECTOR, BARE STRIPPED LEADS (RAIL) FOR CAREL CONTROLS CLEAN CONDENSER

**MECHANICAL COMPARTMENT
SR RPKGCUST-DCC-290**

CALL FACTORY FOR REPLACEMENT PARTS:
888-994-7636

Parts List

2 COMPRESSORS – DUAL CIRCUIT CONDENSER, START NOVEMBER 2022

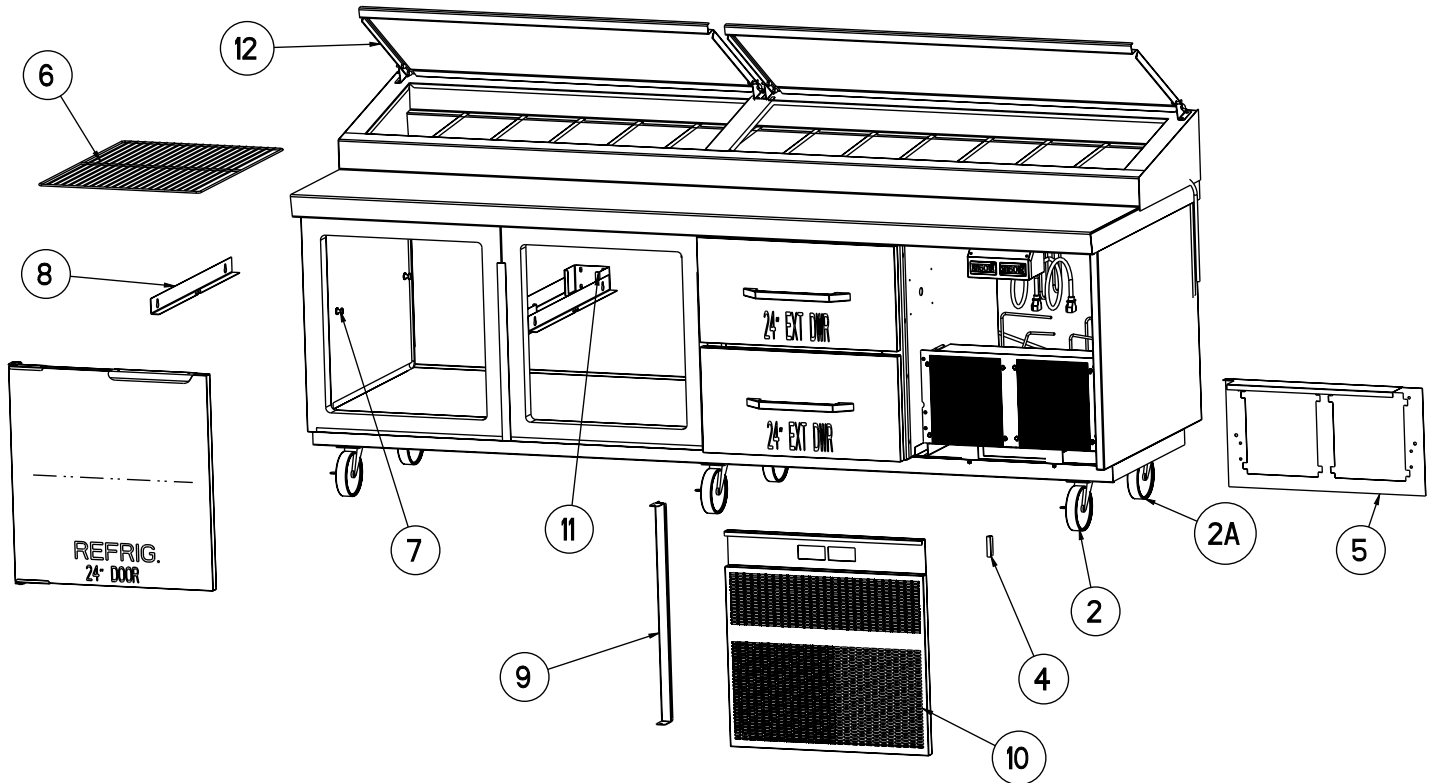


ITEM	SERVICE PART	QUANTITY	DESCRIPTION
1	RP RPKG 32	1	MOUNT, CMPR STAND, DUAL COND, DBL CMPR CUSTOM
2	RP RPKG 33	1	DRAIN PAN, DBL CMPR, DUAL COND, R290
3	EL WIR274	1	ELEMENT, 115V 200W EVAP. 000274 N
4	EL GRM125	1	GROMMET, 1-1/4" BLACK (SB1250-15)
5	RF COI2001	1	COIL, EVAPORATOR DUAL CIRCUIT 8.5" X 10" X 3.5"
6	RP RPKG 30	1	SHROUD, COND FAN, DBL CIRCUIT CONDENSER COIL
7	RF FAN1901	1	FAN, AXIAL W/ LEAD, 180X180MM, 460 CFM 115V
8	HD GRD1909	1	GUARD, FAN, MG-18, USE WITH RF FAN1901
9	EL GRM375	1	GROMMET, HOLE 3/8 2030 SB375-4 (MP-SB03754) N*
10	RF CMP1604	2	COMPRESSOR, 1/4HP, R290, EMBRACO, 115V-60HZ, EM2X3125U
10A	RF CMP1604SC	2	START COMPONENTS COMPRESSOR, 1/4HP, R290, EMBRACO, 115V-60HZ, EM2X3125U
11	HD PIN0601	8	PIN, HAIR COTTER, WIRE .072D L=1-1/8" ZINC PLATED
12	RF FLT9902	2	DRYER, 1/4x.042 FILTER EKP-032 SC DBL INL CAP TUBE N*
13	RF ACM1801	1	ACCUMULATOR, 3/8" DIA X 7" LONG
14	RP RPKG 34	1	CONDENSING UNIT SHROUD ASSEMBLY, DBL COMP, DUAL COND
15	RF CNT1801	2	PROBE, COND COIL, YELLOW, CFA-290 FOR DANFOSS CONTROLS CLEAN CONDENSER
15C	RF CNT2102	2	THERMISTOR, QTIP68-90F-60, 60in BLK THERMISTOR 10K OHM Q-CURVE BETA 3435, NO MOLEX CONNECTOR, BARE STRIPPED LEADS (RAIL) FOR CAREL CONTROLS CLEAN CONDENSER
16	RF RPKG 36	2	BRACKET, CONDENSING UNIT MOUNTING SLIDING
17	HD FLT0902	1	9 1/2" X 11" ALUMINUM FILTER
18	SR BOX2103	1	CONTROL BOX, REFRIGERATOR DUAL CIRCUIT CONDENSER ASSEMBLY DANFOSS CONTROLS
18C	SR BOX2103C	1	CONTROL BOX, REFRIGERATOR DUAL CIRCUIT CONDENSER ASSEMBLY CAREL CONTROLS
19	SR WRP2201	1	WRAP, INSUL, 3/8" (54") X 3/8" (85") COPPER, 0.044 X 0.093 CAP, 132" LONG

BASE UNIT

CALL FACTORY FOR REPLACEMENT PARTS:
888-994-7636

Parts List



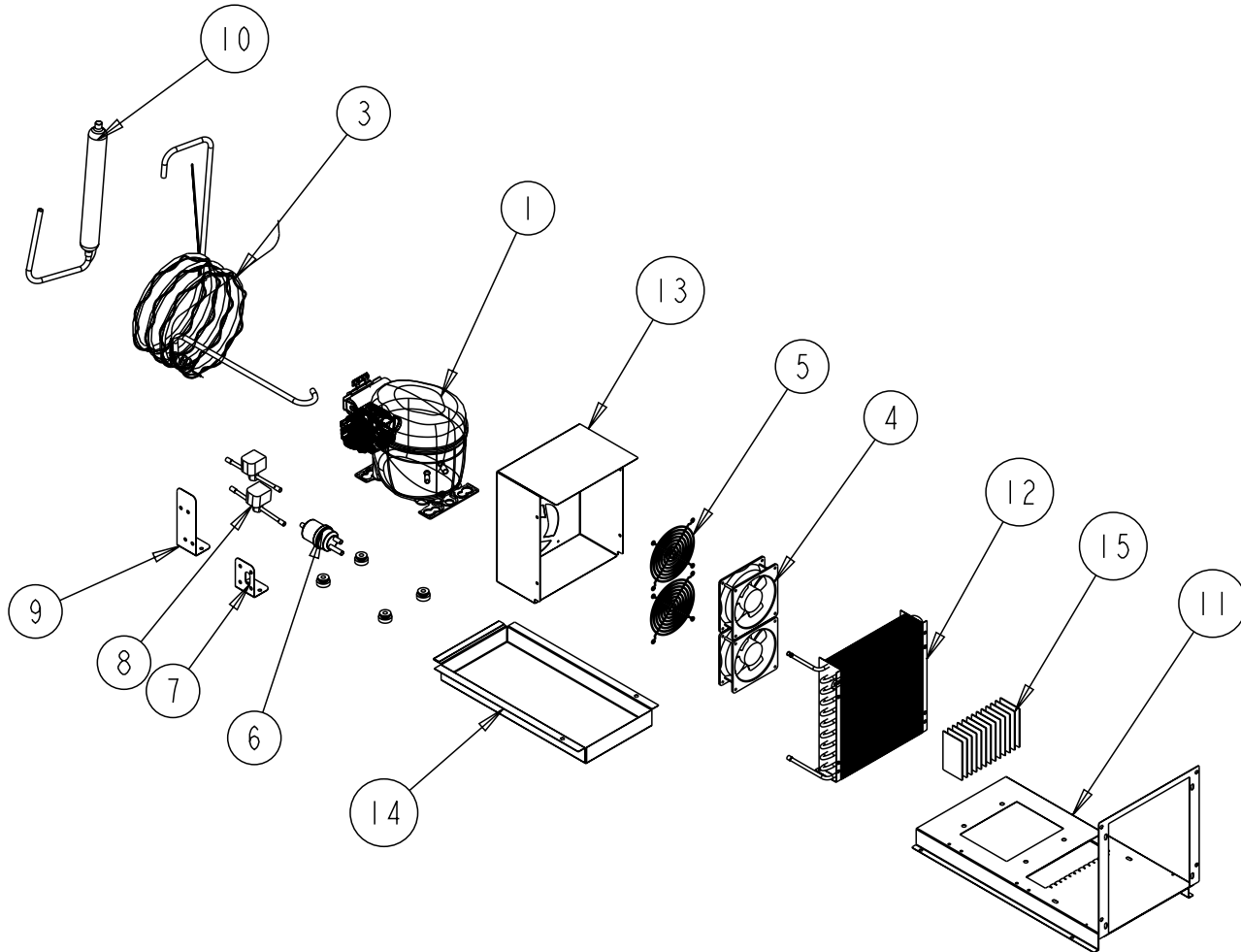
ITEM	SERVICE PART	DESCRIPTION
1*	HD LEG9902	6" LEG W/ BULLET FOOT
2	HD CST060	6" CASTERS W/ BRAKE
2A	HD CST061	6" CASTERS W/O BRAKE
3*	HD CST040HD	4" CASTERS W/ BRAKE
3A*	HD CST041HD	4" CASTERS W/O BRAKE
4	HD CTH9901	LOUVER MAGNET
5	CONSULT FACTORY	SHROUD, COND UNIT
6	HD SHL9912	SHELF 16.15" X 25" (21" DOOR)
6	HD SHL160	SHELF 19" X 25" (24" DOOR)
6	HD SHL180	SHELF 22" X 25" (27" DOOR)
7	HD PIN001	SHELF SUPPORT PIN
8	RP SPT007	SHELF SUPPORT
9	CONSULT FACTORY	LOUVER MOUNTING HINGE BRACKET
10	CONSULT FACTORY	LOUVER, HINGED
11	RP BRK0108	SHELF SUPPORT BETWEEN DOORS
12	CONSULT FACTORY	COVER, HOOD--HINGED--SLIDING--LIFT OFF

* = NOT SHOWN

**MECH COMPARTMENT -
SINGLE COMPRESSOR**

**CALL FACTORY FOR REPLACEMENT PARTS:
888-994-7636**

Parts List



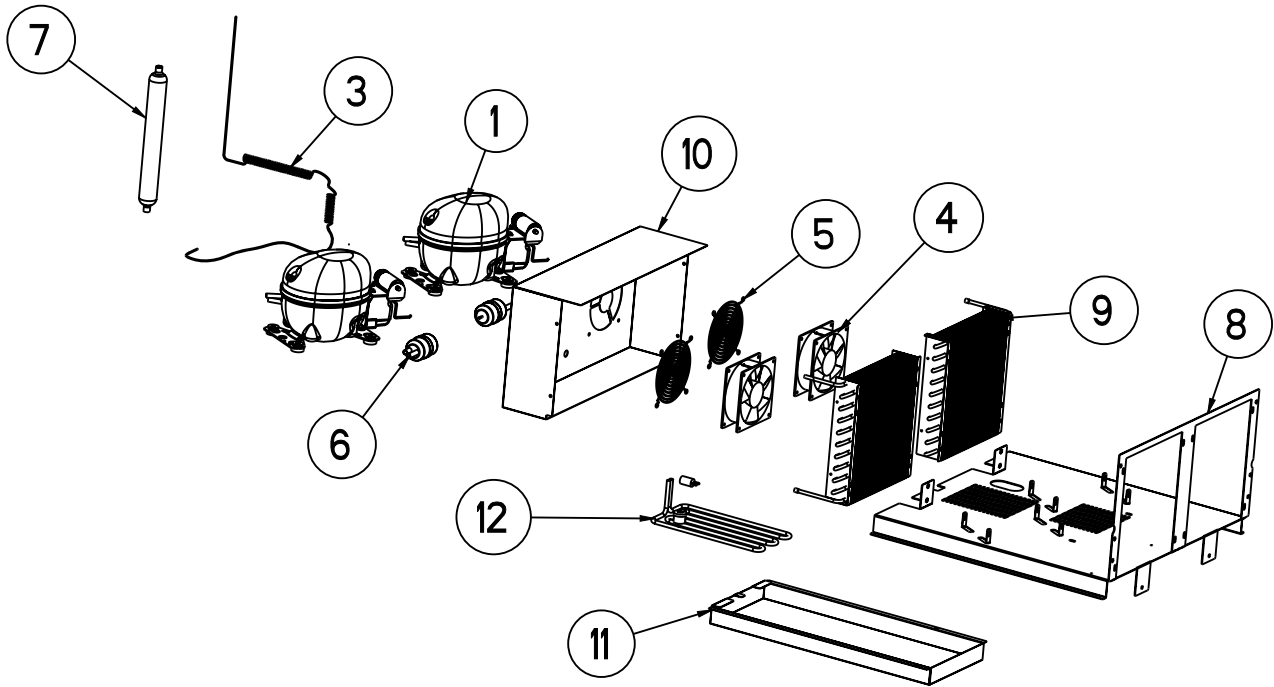
ITEM	SERVICE PART	DESCRIPTION
1	RF CMP1702	COMPRESSOR, 1/3HP, R290, EMBRACO 115V-60HZ
2*	RF CMP1702SC	COMPRESSOR, START COMPONENTS
3	RP CAP1801	CAP, TUBE - RAIL
4	RF FAN1401	CONDENSER FAN
5	RF FAN0703	FAN GUARD
6	RF FLT251	FILTER DRIER, 1/4" DBL INLET
7	RP BRK1720	MOUNTING CLIP, FILTER DRIER (T07-1167)
8	RF SOL9801	SOLENOID VALVE
9	RP BRK1812	BRACKET, SOLENOID VALVE (T07-1173)
10	RF ACM1702	ACCUMULATOR
11	RP MNT1802	COMPRESSOR ASM STAND
12	RF COI1603	CONDENSER COIL
13	RP SHD1809	CONDENSER FAN SHROUD (T07-1179)
14	RP CPN1802	DRAIN PAN - (T07-1146)
15	HD WCK1702	PAD, WICKING

* = NOT SHOWN

**MECH COMPARTMENT -
DOUBLE COMPRESSOR**

CALL FACTORY FOR REPLACEMENT PARTS:
888-994-7636

Parts List



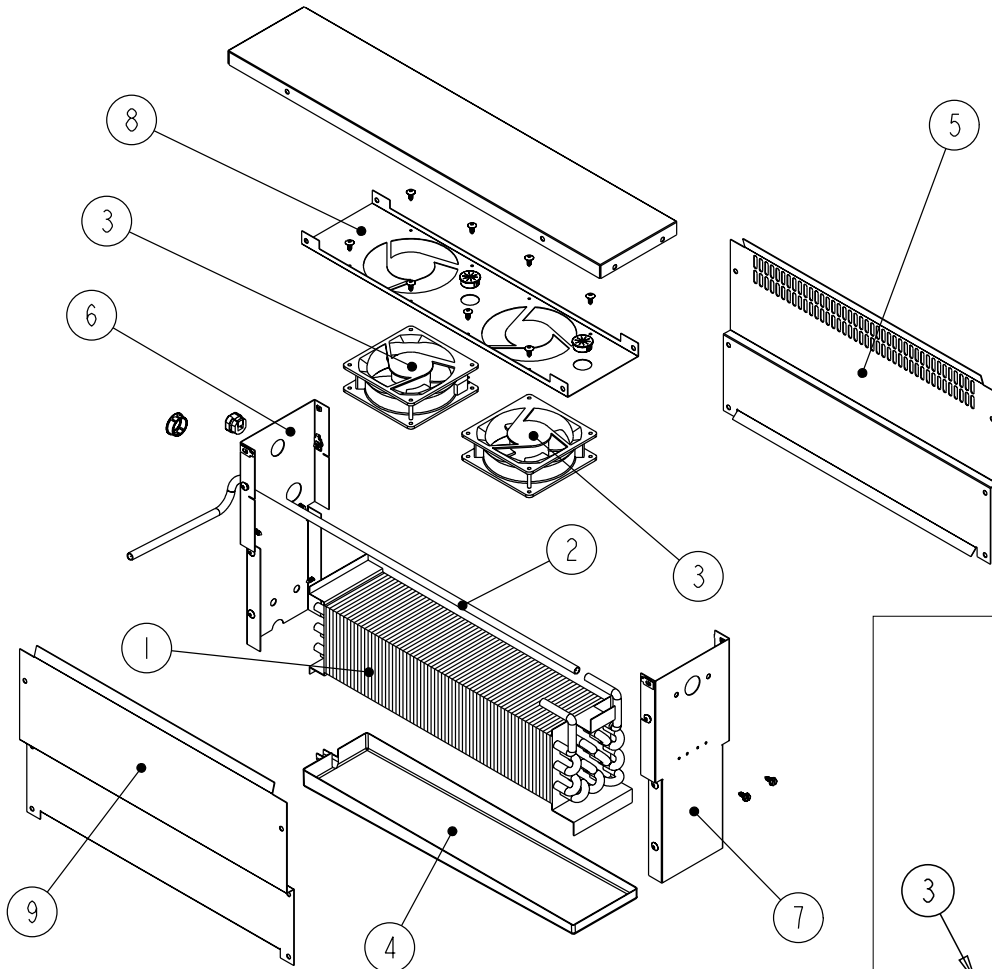
ITEM	SERVICE PART	DESCRIPTION
1	RF CMP1604	COMPRESSOR, 1/4HP, R290, EMBRACO 115V-60HZ
2*	RF CMP1604SC	COMPRESSOR, START COMPONENTS
3	RP CAP1802	CAP, TUBE - RAIL
4	RF FAN0601	CONDENSER FAN
5	HD GR1610	FAN GUARD
6	RF FLT251	FILTER DRIER, 1/4" DBL INLET
7	RF ACM1702	ACCUMULATOR
8	CONSULT FACTORY	COMPRESSOR ASM STAND (T07-1166D)
9	RF C011603	CONDENSER COIL
10	RP SHD1404	CONDENSER FAN SHROUD (T07-1188)
11	RP CPN1803	DRAIN PAN - (T07-1170)
12	EL WIR274	HEATER, DRAIN PAN
13*	EL WIR470	POWER CORD, 16GA 2" MALE

* = NOT SHOWN

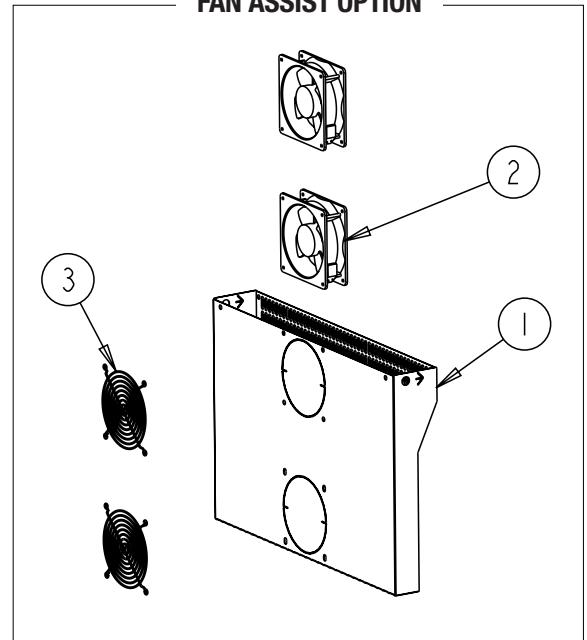
EVAPORATOR COIL

CALL FACTORY FOR REPLACEMENT PARTS:
888-994-7636

Parts List



FAN ASSIST OPTION



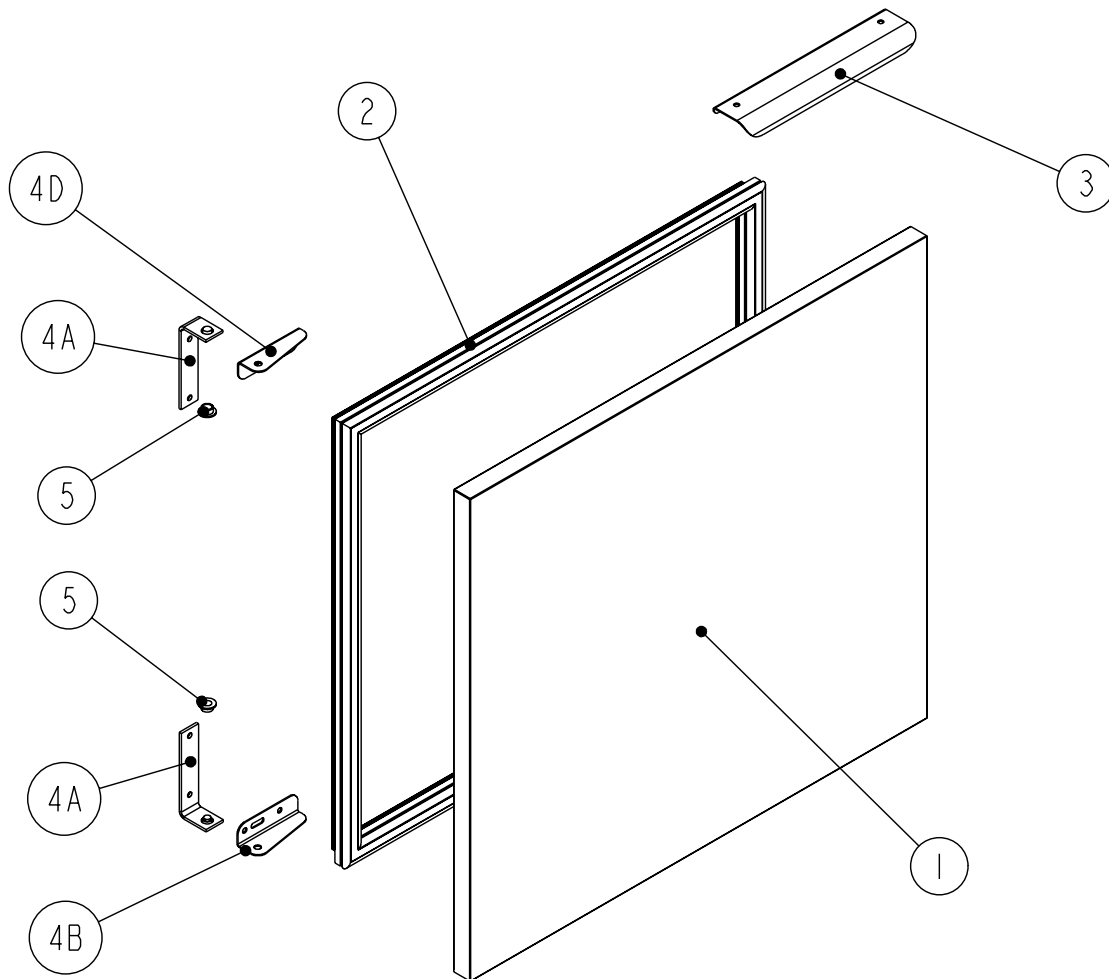
ITEM	SERVICE PART	DESCRIPTION
1	RF COI107	EVAPORATOR COIL
2	RP CAP1803	CAP, TUBE - BASE - SGL COMP SYSTEM
2A	RP CAP1804	CAP, TUBE - BASE - DBL COMP SYSTEM
3	RF FAN1401	FAN, EVAPORATORS
4	RP DRP107	EVAPORATOR DRAIN PAN
5*	EL LGT1805	LIGHT, LED, EDISON BASE, 6W-120V
6*	EL LGT360	LIGHT, SOCKET
FAN ASSIST OPTION		
1	RP FAN1801	FAN ASSIST ASSY
2	RF FAN1401	FAN ASSIST MOTOR
3	RF FAN0702	FAN ASSIST FAN GUARD

* = NOT SHOWN

DOOR ASSEMBLY

CALL FACTORY FOR REPLACEMENT PARTS:
888-994-7636

Parts List



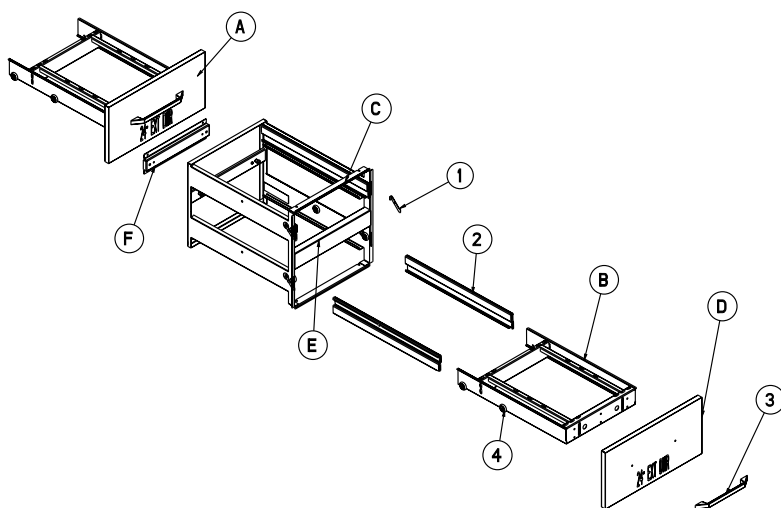
ITEM	SERVICE PART	DESCRIPTION	NPR /WPR	NPO/WPO	LPNPO / LPWPO 18" HGH
1	RP DOR0012	DOOR HINGED LEFT, 21"	X	X	-
1A	RP DOR0012	DOOR HINGED RIGHT, 21"	X	X	-
2	IN GSK1006	GASKET, 18.5" X 22.5" PUSH IN (21" DOOR)	X	X	-
1B	RP DOR0015	DOOR HINGED LEFT, 24"	X	X	-
1C	RP DOR0017	DOOR HINGED RIGHT, 24"	X	X	-
2A	IN GSK1010	GASKET, 21.75" X 22.5" PUSH IN (24" DOOR)	X	X	-
1D	RP DOR0016	DOOR HINGED LEFT, 27"	X	X	-
1E	RP DOR0017	DOOR HINGED RIGHT, 27"	X	X	-
2B	IN GSK1015	GASKET, 24.5" X 22.5" PUSH IN (27" DOOR)	X	X	-
3	RP HDL037	DOOR HANDLE	X	X	-
4	RP HNG9900	HINGE ASSY, UNIVERSAL, LEFT/RIGHT	X	X	-
5	HD BSH050	BUSHING, NYLON DOOR	X	X	-
1F	RP DOR19L	DOOR HINGED LEFT, 19"	-	-	X
1G	RP DOR19R	DOOR HINGED RIGHT, 19"	-	-	X
2C	IN GSK1083	GASKET, 15.5" X 16.5" PUSH IN	-	-	X
1H	RP DOR0006	DOOR HINGED LEFT, 27"	-	-	X
1I	RP DOR0007	DOOR HINGED RIGHT, 27"	-	-	X
2D	IN GSK1020	GASKET, 15.5" X 24.25" PUSH IN	-	-	X

* = NOT SHOWN

DRAWER ASSEMBLY NPR/WPR
CALL FACTORY FOR REPLACEMENT PARTS:
888-994-7636

Parts List

ITEM	SERVICE PART	DESCRIPTION
	RP MOD1501A	21" COMPLETE DRAWER ASSY W/FRONTS
	RP MOD1501A	21" COMPLETE CARTRIGE (NO FRONTS)
A	RP DWR1901	21" DRAWER BOX W/FRONT
B	RP FRM121E	21" DRAWER BOX
C	RP FRM1501A	21" DRAWER SKELETON
D	RP FRT0507	21" DRAWER FRONT
*	IN GSK1036	21" DRAWER GASKET 10.2 X 18.3
E	RP MUL021	21" DRAWER FRAME MULLION
F	RP MPT021	21" MOUNTING PLATE
	RP MOD1401	24" COMPLETE DRAWER ASSY W/FRONTS
	RP MOD1401A	24" COMPLETE CARTRIGE (NO FRONTS)
A	RP DWR1401	24" DRAWER BOX W/FRONT
B	RP FRM324S	24" DRAWER BOX
C	RP FRM1401A	24" DRAWER SKELETON
D	RP FRT924	24" DRAWER FRONT
*	IN GSK1040	24" DRAWER GASKET 10.2 X 21.6
E	RP MUL024	24" DRAWER FRAME MULLION
F	RP MPT024	24" MOUNTING PLATE
	RP MOD010	27" COMPLETE DRAWER ASSY W/FRONTS
	RP MOD010A1	27" COMPLETE DRAWER ASSY W/FRONTS
A	RP DRW927	27" DRAWER BOX W/FRONT
B	RP FRM127E	27" DRAWER BOX
C	RP FRM1503	27" DRAWER SKELETON
D	RP FRT927	27" DRAWER FRONT
*	IN GSL1045	27" DRAWER GASKET 10.2 X 24.6
E	RP MUL027	27" DRAWER FRAME MULLION
F	RP MPT027	27" MOUNTING PLATE
	RP MOD018	32" COMPLETE DRAWER ASSY W/FRONTS
	RP MOD018A	32" COMPLETE DRAWER ASSY W/FRONTS
A	RP DRW132T	32" DRAWER BOX W/FRONT
B	RP FRM132E	32" DRAWER BOX
C	RP FRM018	32" DRAWER SKELETON
D	RP FRT932	32" DRAWER FRONT
*	IN GSK1050	32" DRAWER GASKET 10.2 X 29.7
E	RP MUL0201	32" DRAWER FRAME MULLION
F	RP MPT032	32" MOUNTING PLATE
1	RP CTC0901	FLIPPER ASSEMBLY (L & R)
	RP TRK05SM	DRAWER TRACK SET
2A	RP TRK05SMR	DRAWER TRACK RIGHT
2B	RP TRK05SML	DRAWER TRACK LEFT
3	HD HDL0130	DRAWER HANDLE
4	HD BRG210	DRAWER BEARING
5*	FA SCW5002	DRAWER BEARING BOLT



* = NOT SHOWN

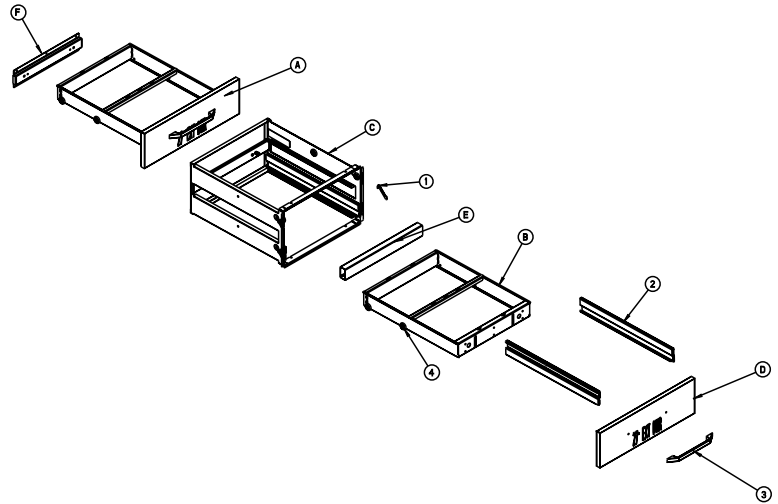
DRAWER ASSEMBLY LPNPO/LPWPO

CALL FACTORY FOR REPLACEMENT PARTS:
888-994-7636

Parts List

ITEM	SERVICE PART	DESCRIPTION
	RP MOD0502	19" COMPLETE DRAWER ASSY W/FRONTS
	RP MOD0502A	19" COMPLETE CARTRIGE (NO FRONTS)
A-T	RP DWR110	19" DRAWER BOX W/FRONT TOP
A-B	RP DRW110B	19" DRAWER BOX W/FRONT BOTTOM
B	RP FRM019	19" DRAWER BOX
C	RP FRM0502A	19" DRAWER SKELETON
D-T	RP FRT118	19" DRAWER FRONT TOP
D-B	RP FRT119	19" DRAWER FRONT BOTTOM
*	IN GSK1081	19" DRAWER GASKET 7.2 X 16.7
E	RP MUL019	19" DRAWER FRAME MULLION
F	RP MPT019	19" MOUNTING PLATE
	RP MOD006	27" COMPLETE DRAWER ASSY W/FRONTS
	RP MOD006A	27" COMPLETE DRAWER ASSY W/FRONTS
A	RP DRW130LP	27" DRAWER BOX W/FRONT TOP
	RP DRW130LPB	27" DRAWER BOX W/FRONT BOTTOM
B	RP FRM127E	27" DRAWER BOX
C	RP FRM1402	27" DRAWER SKELETON
D	RP FRT05T	27" DRAWER FRONT TOP
	RP FRT05B	27" DRAWER FRONT BOTTOM
*	IN GSL1070	27" DRAWER GASKET 7.2 X 24.7
E	RP MUL006	27" DRAWER FRAME MULLION
F	RP MPT027	27" MOUNTING PLATE
	RP MOD007	32" COMPLETE DRAWER ASSY W/FRONTS
	RP MOD007A	32" COMPLETE DRAWER ASSY W/FRONTS
A-T	RP DRW132E	32" DRAWER BOX W/FRONT TOP
A-B	PR DWR132B	32" DRAWER BOX W/FRONT BOTTOM
B	RP FRM132E	32" DRAWER BOX
C	RP FRM1504	32" DRAWER SKELETON
D-T	RP FRT032T	32" DRAWER FRONT TOP
D-B	RP FRT032B	32" DRAWER FRONT BOTTOM
*	IN GSK1075	32" DRAWER GASKET 7.2 X 29.7
E	RP MUL007	32" DRAWER FRAME MULLION
F	RP MPT032	32" MOUNTING PLATE
1	RP CTC0901	FLIPPER ASSEMBLY (L & R)
2	RP TRK05SM	DRAWER TRACK SET
2A	RP TRK05SMR	DRAWER TRACK RIGHT
2B	RP TRK05SML	DRAWER TRACK LEFT
3	HD HDL0130	DRAWER HANDLE
4	HD BRG210	DRAWER BEARING
5*	FA SCW5002	DRAWER BEARING BOLT
3	HD HDL0130	DRAWER HANDLE
4	HD BRG210	DRAWER BEARING
5*	FA SCW5002	DRAWER BEARING BOLT

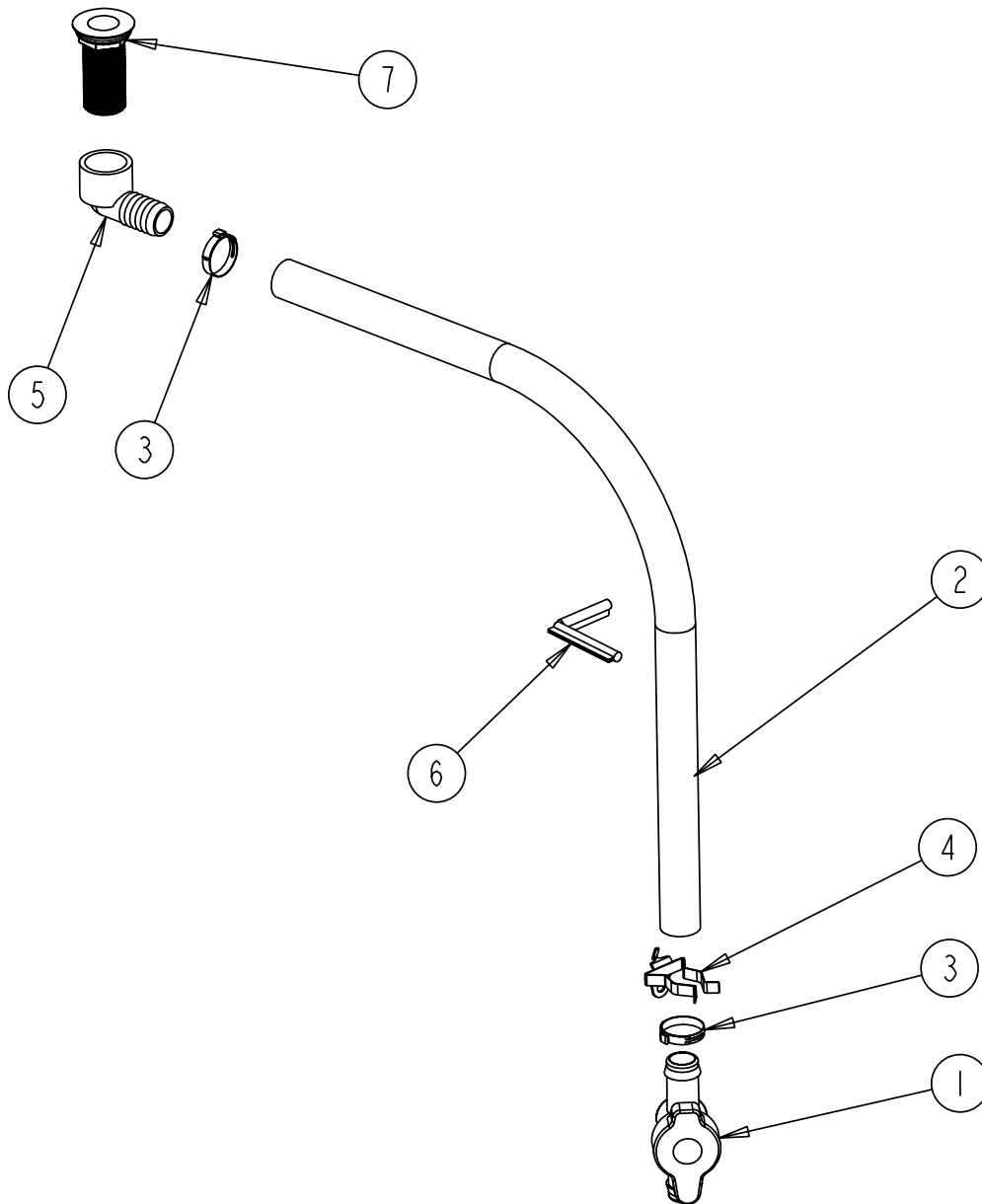
* = NOT SHOWN



DRAIN ASSEMBLY

CALL FACTORY FOR REPLACEMENT PARTS:
888-994-7636

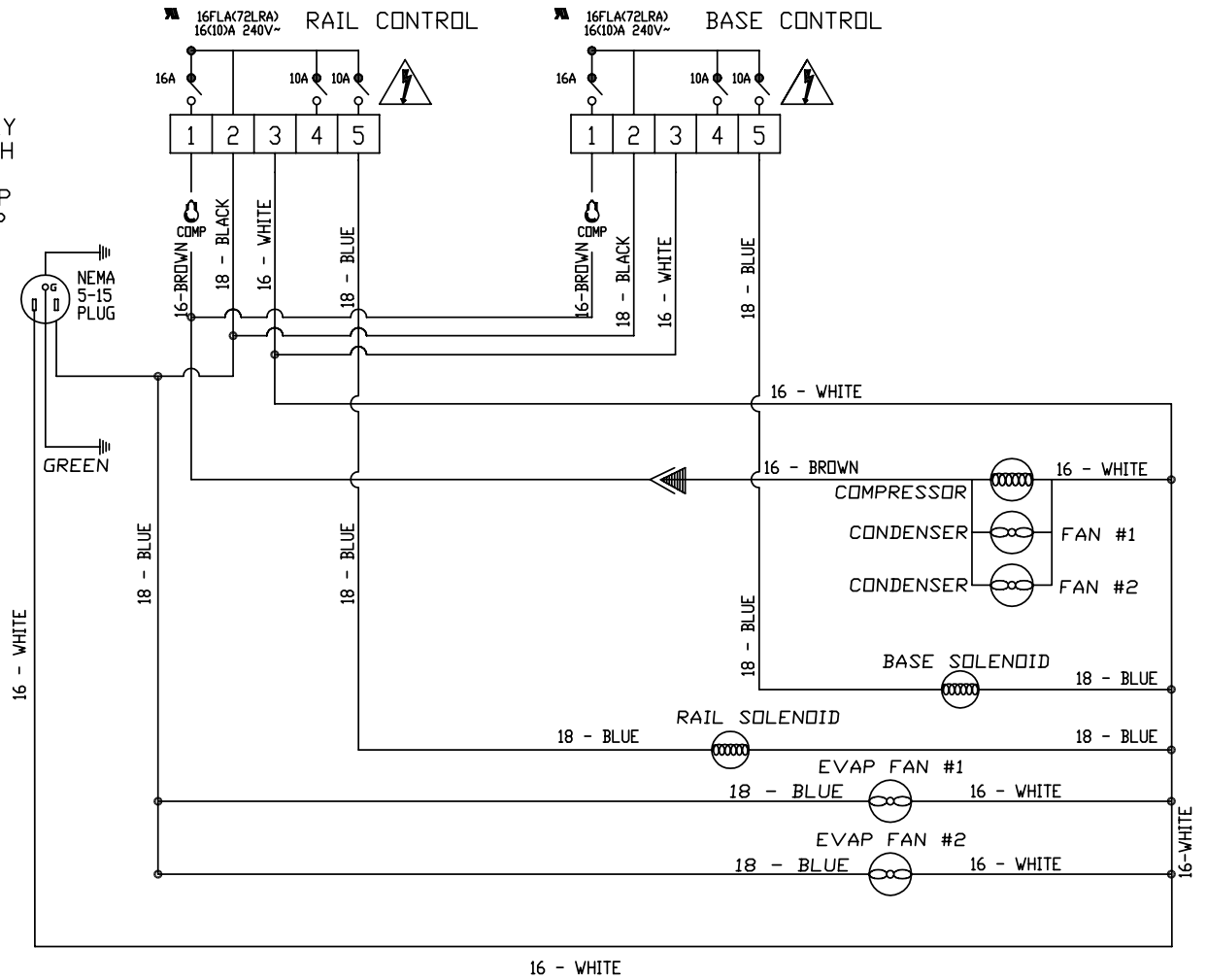
Parts List



ITEM	SERVICE PART	DESCRIPTION
1	PB VLV1803	BALL VALVE, 1-1/2 PVC FEMALE
2	PB TBG1801	TUBING, 1" VINYL, BLACK
3	HD CLM1801	CLAMP, 1" OETIKER
4	HD CLP1902	CLIP, SPRING, 1-1 7/8"
5	PB ELB1801	ELBOW, 90 DEG
6	EL GRM1801	GROMMET, PUSHON, DRAIN ASSY
7	HD DRN1702	DRAIN, ABS, GRAY, 1.375", 1.00" NPS X 2.875" LG W/NUT & WASHER

* = NOT SHOWN

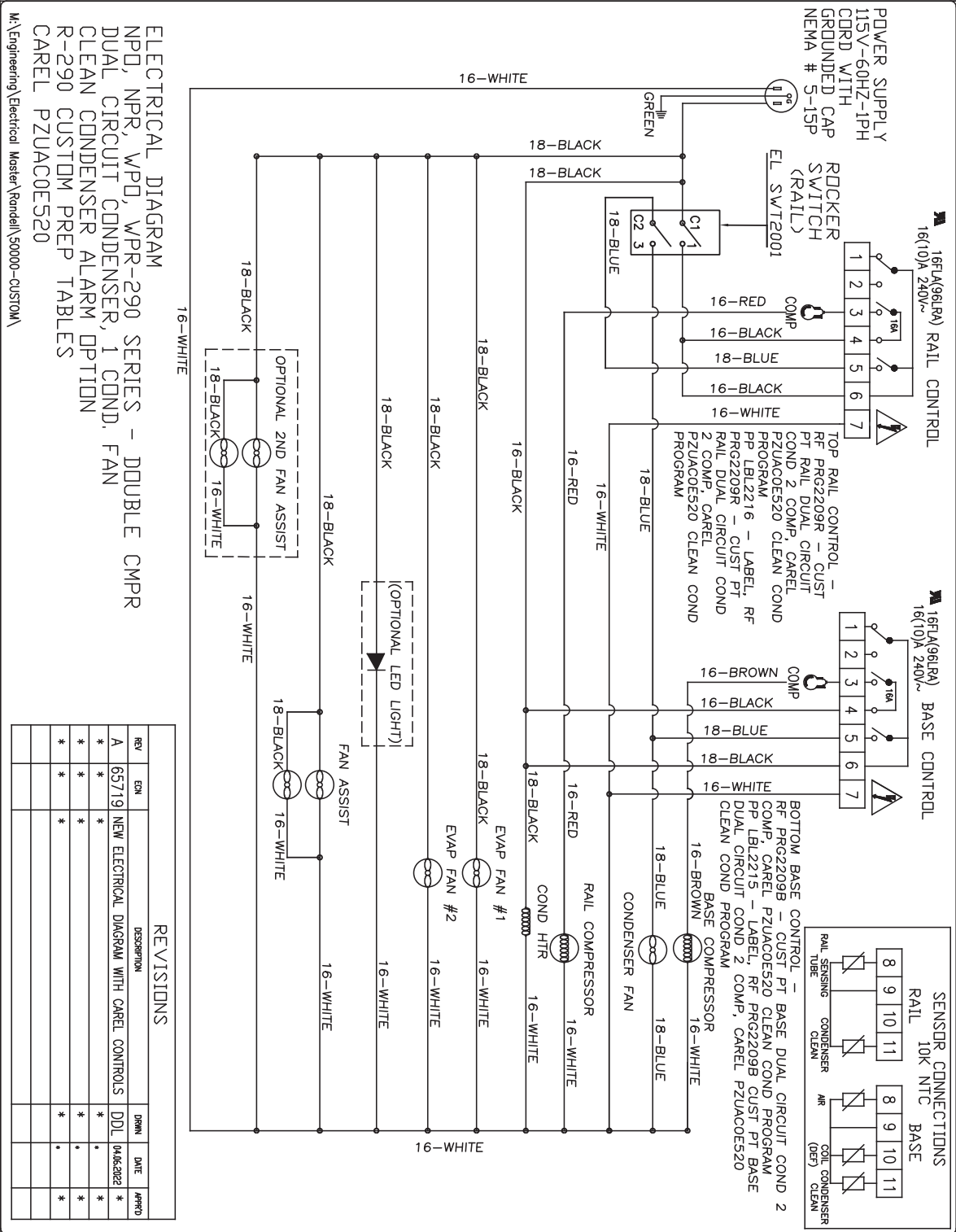
POWER SUPPLY
115V-60HZ-1PH
CORD WITH
GROUNDED CAP
NEMA # 5-15P



NOTE:
BLUE (EVAP COIL) = S2
BLACK (AIR) = S1

ELECTRICAL DIAGRAM
8000-290 SERIES - SINGLE CMPR
DANFOSS ERC112C CONTROL

Wiring Diagram



ELECTRICAL DIAGRAM
 NPD, NPR, WPD, WPR-290 SERIES - DOUBLE CMPR
 DUAL CIRCUIT CONDENSER, 1 COND, FAN
 CLEAN CONDENSER ALARM OPTION
 R-290 CUSTOM PREP TABLES
 CAREL PZUAC0E520

REVISIONS

REV	CDN	DESCRIPTION	DRWN	DATE	APPRD
A	65719	NEW ELECTRICAL DIAGRAM WITH CAREL CONTROLS	DDL	04/06/2022	*
*	*	*	*	*	*
*	*	*	*	*	*
*	*	*	*	*	*

M:\Engineering\Electrical Master\Randell\50000-CUSTOM\

