

## OPERATOR'S MANUAL

This manual provides information on installation, operating, maintenance, trouble shooting & replacement parts for

### CR9039M-CFA / CR9046M-CFA Series Countertop Rails



#### **NOTIFY CARRIER OF DAMAGE AT ONCE.**

It is the responsibility of the consignee to inspect the container upon receipt of same and to determine the possibility of any damage, including concealed damage. Unified Brands suggests that if you are suspicious of damage to make a notation on the delivery receipt. It will be the responsibility of the consignee to file a claim with the carrier. We recommend that you do so at once.



525 South Coldwater Road • Weidman, MI 48893  
888-994-7636 • Fax 888-864-7636 • [unifiedbrands.net](http://unifiedbrands.net)



## Table of Contents

page 2.....	Table of Contents
page 3.....	Parts & Service Hotline
page 3.....	Serial Number Location
page 4-6.....	Randell Limited Warranty
page 7.....	Unit Specifications
page 8.....	Unit Installation
page 9.....	Unit Operation
page 10-11.....	Preventative Maintenance
page 12.....	Electrical Diagram
page 13.....	Troubleshooting
page 14-16.....	Replacement Parts

Congratulations on your recent purchase of Randell food service equipment, and welcome to the growing family of satisfied Randell customers.

Our reputation for superior products is the result of consistent quality craftsmanship. From the earliest stages of product design to successive steps in fabrication and assembly, rigid standards of excellence are maintained by our staff of designers, engineers, and skilled employees.

Only the finest heavy-duty materials and parts are used in the production of Randell brand equipment. This means that each unit, given proper maintenance will provide years of trouble free service to its owner.



**In addition, all Randell food service equipment is backed by some of the best warranties in the food service industry and by our professional staff of service technicians.**

**Retain this manual for future reference.**

**NOTICE:** Due to a continuous program of product improvement, Unified Brands reserves the right to make changes in design and specifications without prior notice.

**NOTICE:** Please read the entire manual carefully before installation. If certain recommended procedures are not followed, warranty claims will be denied.

<p><b>MODEL NUMBER</b> _____</p> <p><b>SERIAL NUMBER</b> _____</p> <p><b>INSTALLATION DATE</b> _____</p>
--

The serial number is located on the rear of the countertop rail adjacent to the rear vented panel.

**800-621-8560**

**Randell Service and Parts  
Hotline**

## Warranty Policies

Unified Brands believes strongly in the products it builds and backs them with the best warranty in the industry. Standard with every unit comes the peace of mind that this unit has been thoroughly engineered, properly tested and manufactured to excruciating tolerances, by a manufacturer with over 30 years of industry presence. On top of that front end commitment, Unified Brands has a dedicated staff of certified technicians that monitor our own technical service hotline at **1-800-621-8560** to assist you with any questions or concerns that may arise after delivery of your new Randell equipment.

### **PARTS WARRANTY**

1. One year parts replacement of any and all parts that are found defective in material or workmanship. Unified Brands warrants all component parts of manufactured new equipment to be free of defects in material or workmanship, and that the equipment meets or exceeds reasonable industry standards of performance for a period of one year from the date of shipment from any Unified Brands factory, assembly plant or warehouse facility.

**NOTE: warranties are effective from date of shipment, with a thirty day window to allow for shipment, installation and set-up. In the event equipment was shipped to a site other than the final installation site, Unified Brands will warranty for a period of three months following installation, with proof of starting date, up to a maximum of fifteen months from the date of purchase.**

2. Free ground freight of customer specified location for all in warranty parts within continental U.S. Component part warranty does not cover glass breakage or gasket replacement. Unified Brands covers all shipping cost related to component part warranty sent at regular ground rates (UPS, USPS). **Freight or postage incurred for any express or specialty methods of shipping are the responsibility of the customer.**

### **LABOR COVERAGE**

In the unlikely event a Randell manufactured unit fails due to defects in materials or workmanship within the first ninety days, Unified Brands agrees to pay the contracted labor rate performed by an **Authorized Service Agent (ASA)**. Any warranty work performed by a non-ASA will not be honored by Randell. A complete listing of current ASAs can be found on the Randell page of our web site : [www.unifiedbrands.net](http://www.unifiedbrands.net). Warranties are effective from date of shipment, with a thirty day window to allow for shipment, installation and setup. Where equipment is shipped to any site other than final installation, Unified Brands will honor the labor warranty for a period of ninety days following installation with proof of starting date, up to a maximum of six months from date of purchase.

**Temperature adjustments are not covered under warranty**, due to the wide range of ambient conditions.

For warranty inquiries call our Field Service Department at: 1-800-621-8560.

#### **WHEN OPTIONAL 5 YEAR COMPRESSOR WARRANTY APPLIES**

1. Provide reimbursement to an ASA for the cost of locally obtained replacement compressor in exchange for the return of the defective compressor sent back freight prepaid. Note: Unified Brands does limit amount of reimbursement allowed and does require bill from local supply house where compressor was obtained (customer should not pay servicing agent up front for compressor).
2. Provide repair at the manufacturing facility by requiring that the defective unit be sent back to Unified Brands freight prepaid. Perform repair at the expense of Unified Brands and ship the item back to the customer freight collect.
3. Furnish complete condensing unit freight collect in exchange for the return of the defective compressor sent back freight prepaid. (Decisions on whether or not to send complete condensing units will be made by a unified Brands in-house service technician).

#### **WHEN OPTIONAL LABOR EXTENSION POLICY APPLIES**

Unified Brands will provide reimbursement of labor to an ASA for any customer that has an optional labor extension of our standard warranty. (Contracted rates do apply) Randell offers both 1 and 2 year extensions. Labor extensions begin at the end of our standard warranty and extend out 9 months to 1 calendar year or 21 months to 2 calendar years from date of purchase. Please contact Randell technical service hotline at 1-800-621-8560 for details and any question on ***Authorized Service Agents (ASA)***.

#### **WHEN EXPORT WARRANTIES APPLY**

1. Unified Brands covers all non-electrical components under the same guidelines as our standard domestic policy.
2. All electrical components operated on 60 cycle power are covered under our standard domestic policy.
3. All electrical components operated on 50 cycle power are covered for 90 days from shipment only.
4. Extended warranty options are not available from the factory.

#### **ITEMS NOT COVERED UNDER WARRANTY**

1. Maintenance type of repairs such as plugged filter, condenser cleaning, temperature adjustments, clogged drains and unit leveling.

#### **NOTICE: FOOD LOSS IS NOT COVERED UNDER WARRANTY**

2. Repairs caused by abuse such as freight damage, excessive force, or scratches and dents.
3. Electrical component failure due to water damage or air flow restrictions from cleaning procedures.
4. Cut or damaged electrical cords or plugs from normal usage.

## **SPECIFICATION & PRODUCT DESIGN**

Due to continued product improvement, specification and product design may change without notice. Such revisions do not entitle the buyer to additions. Changes or replacements for previously purchased equipment.

## **SANITATION REQUIREMENTS**

Certain areas require specific annotation requirements other than N.S.F. & U.L. standards. Randell must be advised of these specifications before fabrication of equipment. In these special circumstances, a revised quotation may be required to cover additional costs. Failure to notify Randell before fabrication holds the dealer accountable for all additional charges.

## **SHIPPING & DELIVERY**

Unified Brands will attempt to comply with any shipping, routing or carrier request designated by dealer, but reserves the right to ship merchandise via any responsible carrier at the time equipment is ready for shipment. Unified Brands will not be held responsible for any carrier rate differences; rate differences are entirely between the carrier and purchaser. Point of shipping shall be determined by Unified Brands (Weidman, MI/Jackson, MS). At dealer's request, Unified Brands will endeavor whenever practical to meet dealer's request. Freight charges to be collect unless otherwise noted.

## **DAMAGES**

All crating conforms to general motor carrier specifications. To avoid concealed damage, we recommend inspection of every carton upon receipt. In the event the item shows rough handling or visible damage to minimize liability, a full inspection is necessary upon arrival. Appearance of damage will require removing the crate in the presence of the driver. **A notation must be placed on the freight bill and signed for by the truck driver at the time of delivery.** Any and all freight damage that occurs to a Randell piece of equipment as a result of carrier handling is not considered under warranty, and is not covered under warranty guidelines. Any freight damage incurred during shipping needs to have a freight claim filed by the receiver with the shipping carrier. Consignee is responsible for filing of freight claims when a clear delivery receipt is signed. Claims for damages must be filed immediately (within 10 days) by the consignee with the freight carrier and all cartons and merchandise must be retained for inspection.

## **RETURNED GOODS**

Authorization for return must first be obtained from Unified Brands before returning any merchandise. Any returned goods shipment lacking the return authorization number will be refused, all additional freight costs to be borne by the returning party. Returned equipment must be shipped in original carton, freight prepaid and received in good conditions. Any returned merchandise is subject to a minimum handling charge (consult factory for rate).

## **INSTALLATION**

Equipment installation is the responsibility of the dealer and/or their customer. Unified Brands requires all equipment to be professionally installed to ensure adequate voltage and amperage requirements are met.

It is imperative that the equipment is placed on a level surface that us rated handle the capacities of the unit and the contents.

\*FOOTNOTES IN REFERENCE TO PARAGRAPHS ABOVE

1. Herein called Randell.

2. NET means list price less discount, warranty, labor policy, freight, Randell delivery and other miscellaneous charges.

CASH DISCOUNTS WILL BE CALCULATED ON NET ONLY.

## Unit Specifications



Model	L	D	H*	Pan Capacity	H P	Volt	Amps	NEMA	Shit Wt.
CR9039-CFA	32.75"	18"	30.9"	(4) 1/3 or (8) 1/6	1/4	115/60/1	7.1	5-15P	133
CR9046-CFA	39.75"	18"	30.9"	(5) 1/3 or (10) 1/6	1/4	115/60/1	7.1	5-15P	162

# Unit Installation

## SELECTING A LOCATION FOR YOUR NEW UNIT

The following conditions should be considered when selecting a location for your unit:

1. **Countertop Load:** The area on which the unit will rest must be level, free of vibration, and suitably strong enough to support the combined weights of the unit plus the maximum product load weight.
2. **Clearance:** There must be a combined total of at least 4" clearance on mechanical compartment side of the unit (right side standard).
3. **Ventilation:** The air cooled self contained unit requires a sufficient amount of cool clean air. Avoid surrounding your countertop rail around other heat generating equipment and out of direct sunlight. Also, avoid locating in an unheated room or where the room temperature may drop below 55° F or above 86°F.

## INSTALLATION CHECKLIST

After the final location has been determined, refer to the following checklist prior to start-up:

1. Check cord and plug of unit to assure no damage has occurred to these components.
2. Check all sheet metal surrounding the mechanical compartment to assure no damage has occurred in these areas.
3. Plug in unit and turn on main on/off power switch.
4. Allow unit time to cool down to temperature. A layer of frost will form and remain around the inside perimeter of the rail.
5. Refer to the front of this manual for serial number location. Please record this information in your manual on page 3 now. It will be necessary when ordering replacement parts or requesting warranty service.
6. Confirm that the unit is holding temperature.

**NOTE: FAILURE TO FOLLOW INSTALLATION GUIDELINES AND RECOMMENDATIONS MAY VOID THE WARRANTY ON YOUR UNIT.**

**ELECTRICAL SUPPLY:** The wiring should be done by a qualified electrician in accordance with local electrical codes. A properly wired and grounded outlet will assure proper operation. Please consult the data tag attached to the compressor to ascertain the correct electrical requirements. Supply voltage and amperage requirements are located on the serial number tag located inside the mechanical housing.

**NOTE: it is important that your unit has its own dedicated line. Condensing units are designed to operate with a voltage fluctuation of plus or minus 10% of the voltage indicated on the unit data tag. Burn out of a condensing unit due to exceeding voltage limits will void the warranty.**

## Unit Operation

Randell has preset the cold control to ensure that your unit runs at an optimum temperature, but due to varying ambient conditions, including elevation, food product as well as type of operation, you may need to alter this temperature. Additional adjustments can be made (within limits) by turning the control dial up or down until the desired temperature is reached. Please allow 24 hours between adjustments.

Your condiment pans will remain proper temperatures when utilized properly. It is strongly recommended that the covers be kept in closed position when the unit is not in use and between rush periods. This is especially important in the summer months and in kitchens exceeding 86° F. Do not leave covers open for prolonged periods of time.

**Note: All individual condiment pans need to be in the rail at all times during operation. If no product is available or necessary fill empty pans with 1" to 2" of water as an insulating barrier.**

Your CR9000-CFA series countertop rail is equipped with a digital temperature control for the refrigerated rail. This is found on the top left exterior face of the mechanical compressor housing.

### **MORNING STARTUP (PREP RAIL)**

1. Rail cleaning may be performed at this time.
2. Turn on rail with switch located on the front left corner of the mechanical compartment.
3. Allow 30 minutes with lid closed for the rail to cool down before loading product. (If the unit is starting from a full off position, 45 minutes to 1 hour should be allowed for the unit to cool down).
4. Load the product and proceed with food preparation.

**Note: Product entering the preparation table must be at 41 °F or less.**

### **EVENING SHUT DOWN (PREP RAIL)**

1. Remove product from the rail at the end of the day's preparation. The product may be stored in any suitable holding cabinet.
2. Turn off the rail with the switch located on the front left of the mechanical compartment.
3. Unit cleaning may be performed at this time if the frost has melted off the surface.

# Preventive Maintenance

Randell strongly suggests a preventive maintenance program which would include the following **Monthly** procedures:

*If a failure of the equipment is a direct result of any of the Preventative Maintenance guidelines being neglected the repairs will not be covered under warranty.*

1. Cleaning of all condenser coils on a **monthly** basis. Condenser coils are a critical component in the life of the compressor and must remain clean to assure proper air flow and heat transfer. Failure to maintain this heat transfer will affect unit performance and eventually destroy the compressor. Clean the condenser coils with coil cleaner and/or a vacuum, cleaner and brush. *Proper care of the filter will reduce the need for this task. See item #2.*

**NOTE: Brush coil in direction of fins, normally vertically as to not damage or restrict air from passing through condenser.**

2. Clean the grease filter located in front of the condenser coil on a **weekly** if not daily basis with either hot water, mild detergent, or by cycling through a dishwasher.

**NOTE: DO NOT USE SHARP UTENSILS.**

**NOTE: DO NOT USE EXCESSIVE AMOUNTS OF LIQUID CLEANSERS NEAR MECHANICAL COMPARTMENT OR DIGITAL CONTROL**

**RECOMMENDED CLEANERS FOR YOUR STAINLESS STEEL INCLUDE THE FOLLOWING:**

JOB	CLEANING AGENT	COMMENTS
Routine cleaning	Soap, ammonia, detergent Medallion	Apply with a sponge or cloth
Fingerprints and smears	Arcal 20, Lac-O-Nu, Ecoshine	Provides a barrier film
Stubborn stains and discoloration	Cameo, Talc, Zud, First Impression	Rub in the direction of the polish lines
Greasy and fatty acids, blood, burnt-on foods	Easy-Off, Degrease It, Oven Aid	Excellent removal on all finishes
Grease and Oil	Any good commercial detergent	Apply with a sponge or cloth
Restoration/Preservation	Benefit, Super Sheen	Good idea monthly

Reference: Nickel Development Institute, Diversey Lever, Savin, Ecolab, NAFEM.

**NOTE: Do not use steel pads, wire brushes, scrapers, or chloride cleaners to clean your stainless steel.**

**CAUTION: DO NOT USE ABRASIVE CLEANING SOLVENTS, AND NEVER USE HYDROCHLORIC ACID (MURIATIC ACID) ON STAINLESS STEEL.**

## **Preventive Maintenance (cont.)**

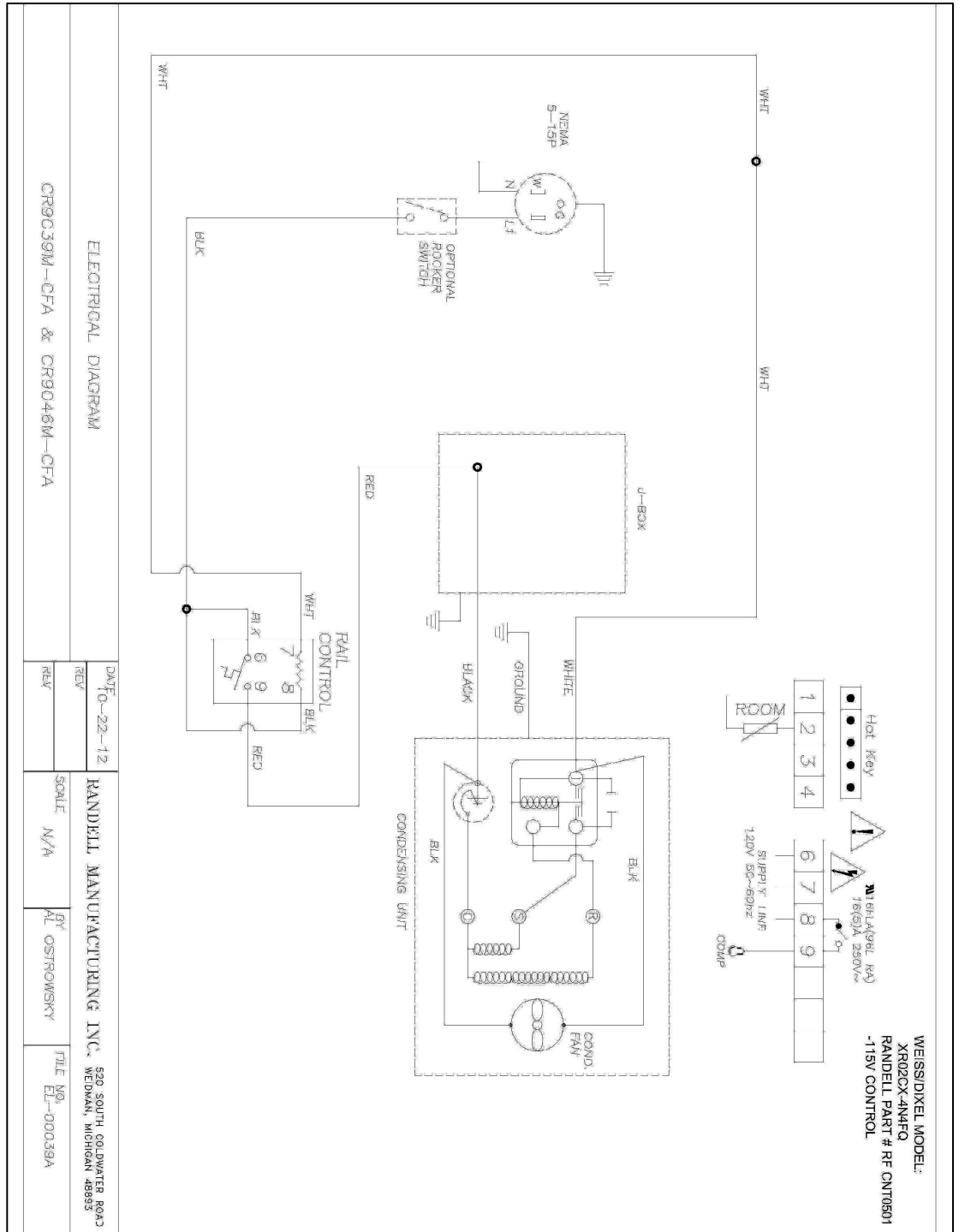
Proper maintenance of equipment is the ultimate necessity in preventing costly repairs. By evaluating each unit on a regular schedule, you can often catch and repair minor problems before they completely disable the unit and become burdensome on your entire operation.

**For more information on preventive maintenance, consult the local ASA or CFESA member.** Most repair companies offer this service at very reasonable rates to allow you the time you need to run your business along with the peace of mind that all your equipment will last throughout its expected life. These services often offer guarantees as well as the flexibility in scheduling or maintenance for your convenience.

For a complete listing of current Randell ASA please visit [www.unifiedbrands.net](http://www.unifiedbrands.net)

Randell believes strongly in the products it manufactures and backs those products with one of the best warranties in the industry. We believe with the proper maintenance and use, you will realize a profitable return on your investment and years of satisfied service.

# Electrical Diagram



# Trouble Shooting Guide

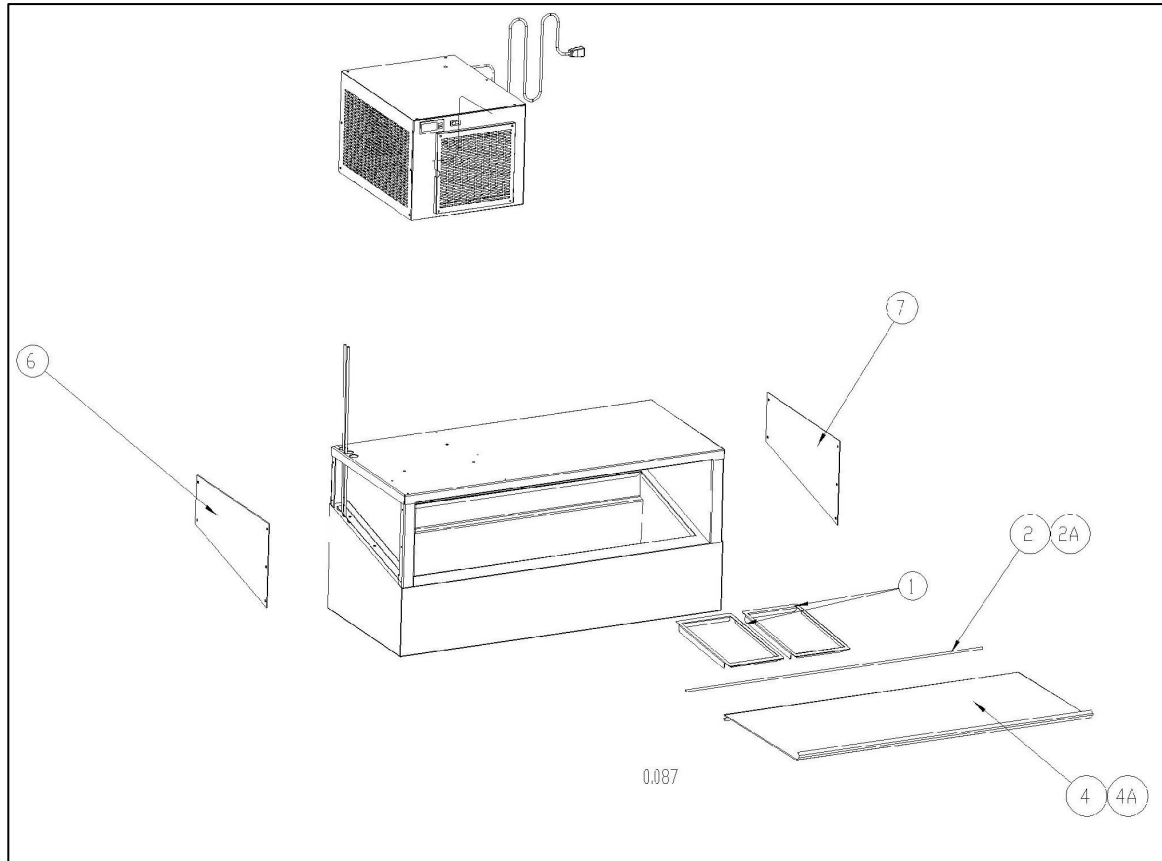
**NOTE: All service repairs to be performed by a qualified service agent.**

All warranty repairs are to be performed by a Unified Brands authorized service agent (ASA). Any warranty work performed by a non-ASA will not be honored by Randell. A complete listing of current ASAs can be found on the Randell page of our web site : [www.unifiedbrands.net](http://www.unifiedbrands.net)

SYMPTOM	POSSIBLE CAUSE	PROCEDURE
Unit doesn't run	<ol style="list-style-type: none"> <li>1. No power to unit</li> <li>2. Temperature control turned off</li> <li>3. Temperature control faulty</li> <li>4. Compressor overheated</li> <li>5. Condenser fan faulty</li> <li>6. Overload protector faulty</li> <li>7. Compressor relay faulty</li> </ol>	<ol style="list-style-type: none"> <li>1. Check power switch</li> <li>2. Check temperature control/probe</li> <li>3. Test temperature control/probe</li> <li>4. Clean condenser coil</li> <li>5. Service condenser fan</li> <li>6. Test overload</li> <li>7. Test relay</li> </ol>
Unit short cycles	<ol style="list-style-type: none"> <li>1. Condenser coil / filter dirty</li> <li>2. Condenser fan faulty</li> <li>3. Overload repeatedly tripping</li> </ol>	<ol style="list-style-type: none"> <li>1. Clean coil/ filter</li> <li>2. Service fan and motor.</li> <li>3. Check outlet voltage</li> </ol>
Unit runs constantly	<ol style="list-style-type: none"> <li>1. Condenser coil/filter dirty</li> <li>2. Condenser fan faulty</li> </ol>	<ol style="list-style-type: none"> <li>1. Clean coil/filter</li> <li>2. Service condenser motor</li> </ol>
Unit too cold	<ol style="list-style-type: none"> <li>1. Temperature control set too low</li> <li>2. Temperature control/probe faulty</li> </ol>	<ol style="list-style-type: none"> <li>1. Adjust control to raise setting</li> <li>2. Test control/probe</li> </ol>
Unit noisy	<ol style="list-style-type: none"> <li>1. Compressor mountings loose or hardened.</li> <li>2. Condenser fan damaged or hitting fan shroud</li> </ol>	<ol style="list-style-type: none"> <li>1. Tighten or replace compressor mountings</li> <li>2. Inspect condenser fan</li> </ol>
Control Display	<ol style="list-style-type: none"> <li>1. P1</li> <li>2. HA</li> </ol>	<ol style="list-style-type: none"> <li>1. Check probe connection at control</li> <li>2. High Alarm. Check condenser coil</li> </ol>

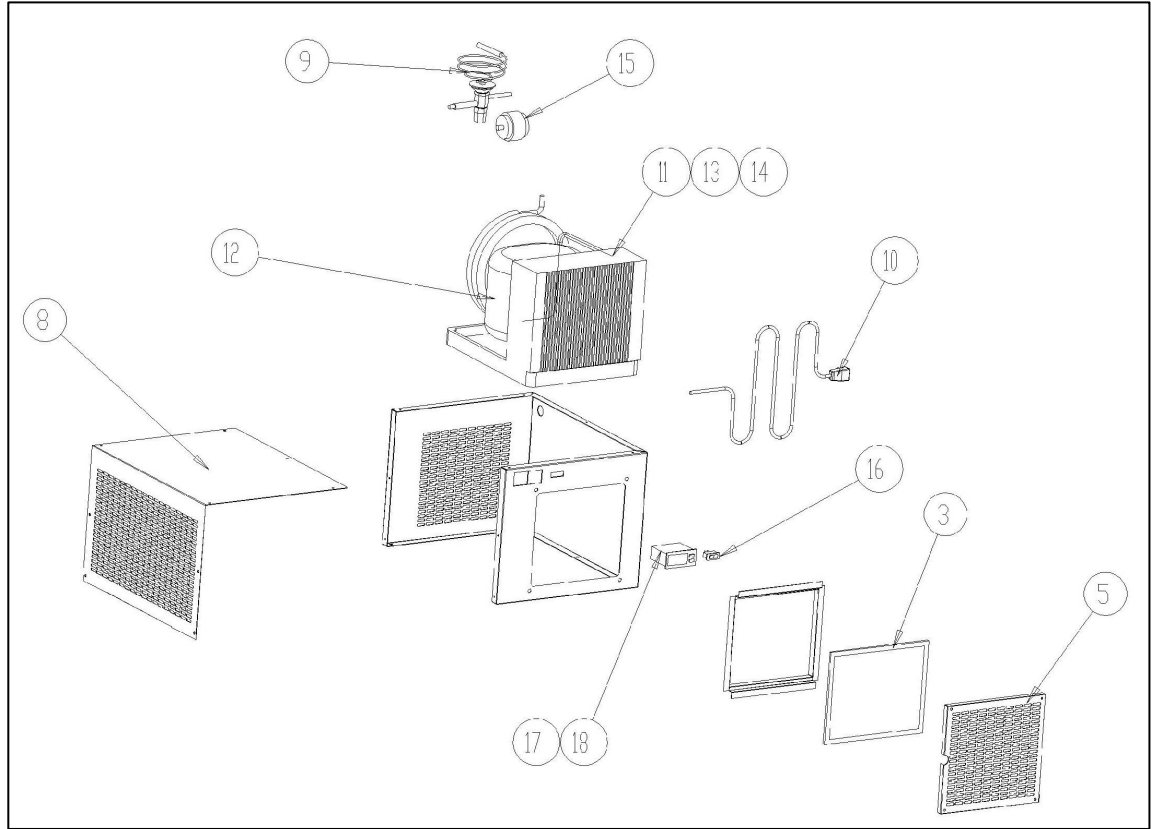
# Replacement Parts

# CR9039M-CFA/CR9046M-CFA



# Replacement Parts

# CR9039M-CFA/CR9046M-CFA



# Replacement Parts

# CR9039M-CFA/CR9046M-CFA

ITEM	DESCRIPTION	PART #	CR 9000 Series	
			CR9039M -CFA	CR9046M -CFA
1	Adapter Template	<a href="#">RP ADP1204</a>	X	X
2	Connector Rod for Pan Rail Lid	<a href="#">HD ROD1302</a>		X
2a	Connector Rod for Pan Rail Lid	<a href="#">HD ROD1301</a>	X	
3	Condenser Filter	<a href="#">HD FLT1201</a>	X	X
4	Cover, Pan rail lid	<a href="#">RP PCR1201</a>		X
4a	Cover Pan rail lid	<a href="#">RP PCR1202</a>	X	
5	Louver	<a href="#">RP LVR1205</a>	X	X
6	Left side access panel, hood cover	<a href="#">RP PNL1205</a>	X	X
7	Right side access panel, hood cover	<a href="#">RP PNL1206</a>	X	X
8	Louver / Compressor Side & Top Cover	<a href="#">RP LVR1206</a>		X
9	Expansion Valve	<a href="#">RF VLV350</a>	X	X
10	Power cord w/ molded plug 8'	<a href="#">EL WIR461-90</a>	X	X
11	Condensing Unit (1/3 LT R-134a)	<a href="#">RF CON495</a>	X	X
12	Compressor (AEA2410YXA)	<a href="#">RF CMP495P</a>	X	X
13	Condenser Fan Motor	<a href="#">RF MTR0104</a>	X	X
14	Condenser Fan Blade	<a href="#">RF BLD0101</a>	X	X
15	Filter Drier	<a href="#">RF FLT251</a>	X	X
16	Power switch	<a href="#">EL SWT0502</a>	X	X
17	Dixell Control w/ probe	<a href="#">RP CNT1206</a>	X	X
18	Dixell Probe only	<a href="#">RF CNT1104</a>	X	X