

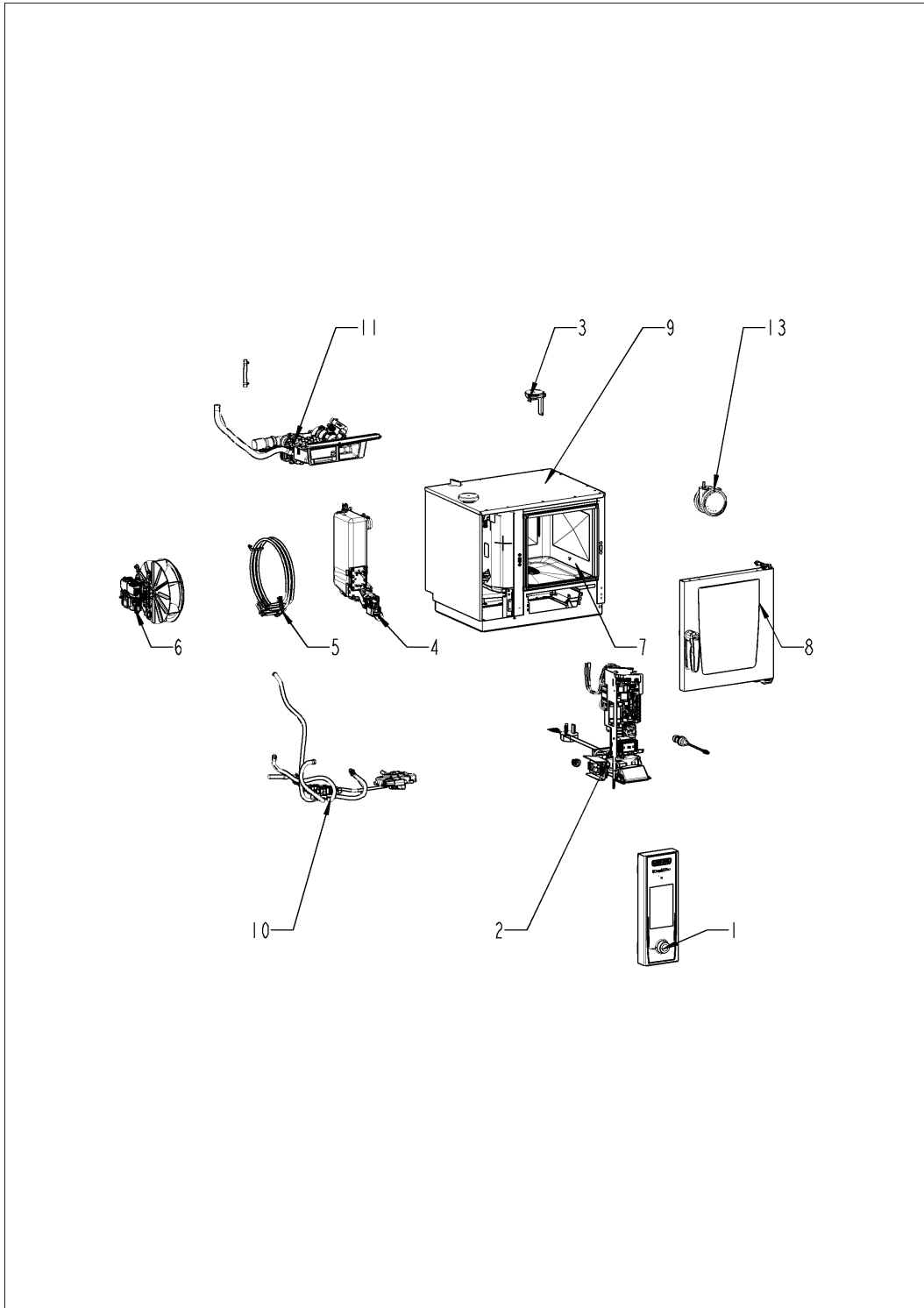
# Service part catalogue

iCombi as of 03/2020 XS - 6 x 2/3 Gastronorm

E60SJ22052971487



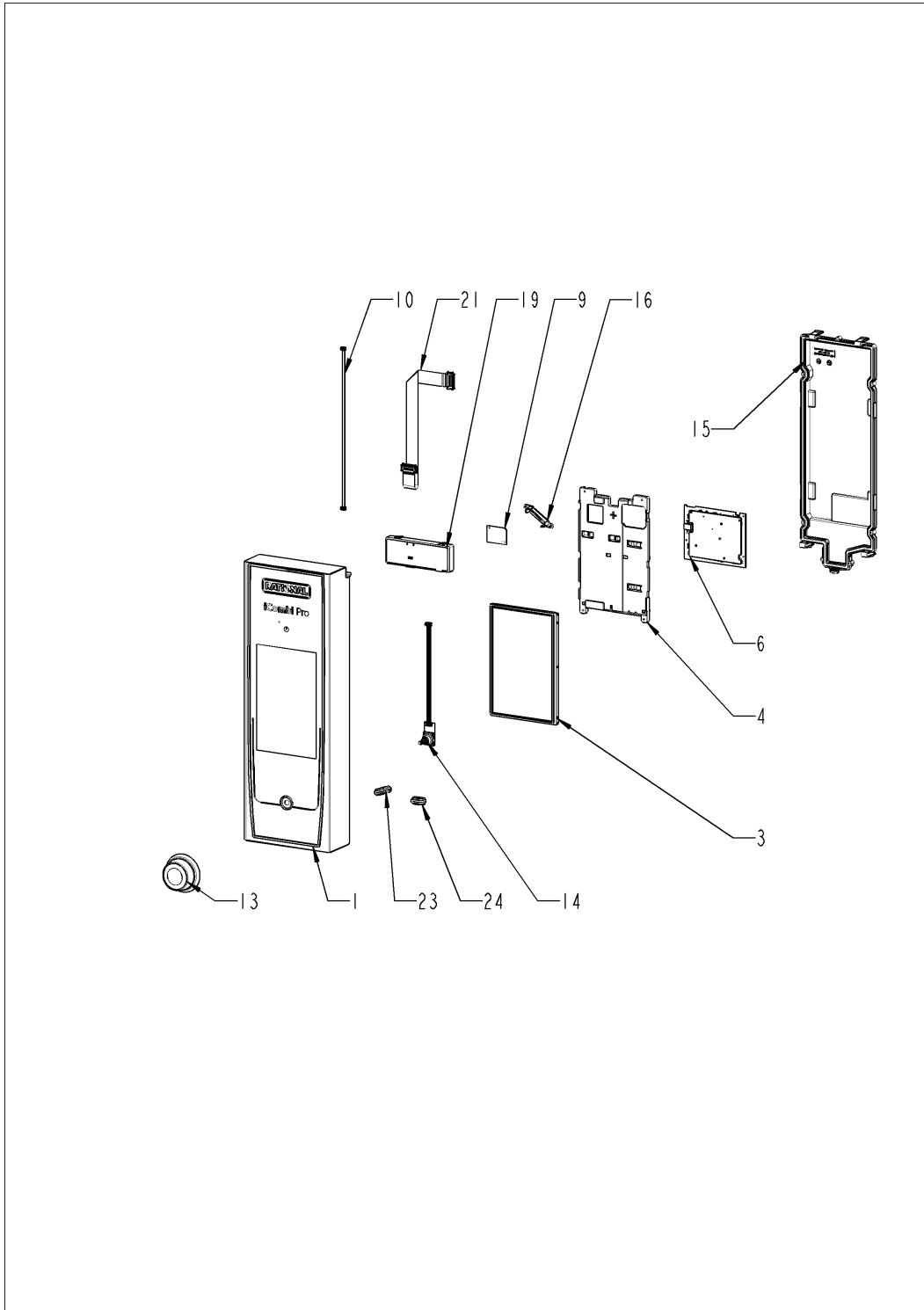
## Overview



## **Overview**

Pos. 1 Control panel	<b>4</b>
Pos. 2 Electrical installation	<b>6</b>
Pos. 3 ClimaPlus	<b>13</b>
Pos. 4 Steam generator	<b>15</b>
Pos. 5 Hot air heating	<b>17</b>
Pos. 6 Motor and fan wheel	<b>19</b>
Pos. 7 Interior cabinet	<b>21</b>
Pos. 8 Door	<b>23</b>
Pos. 9 Exterior cabinet	<b>27</b>
Pos. 10 Water	<b>31</b>
Pos. 11 CleanJet + Care	<b>34</b>
Pos. 13 Standard accessory	<b>36</b>
Pos. 20 Repair and retrofit kit	<b>50</b>

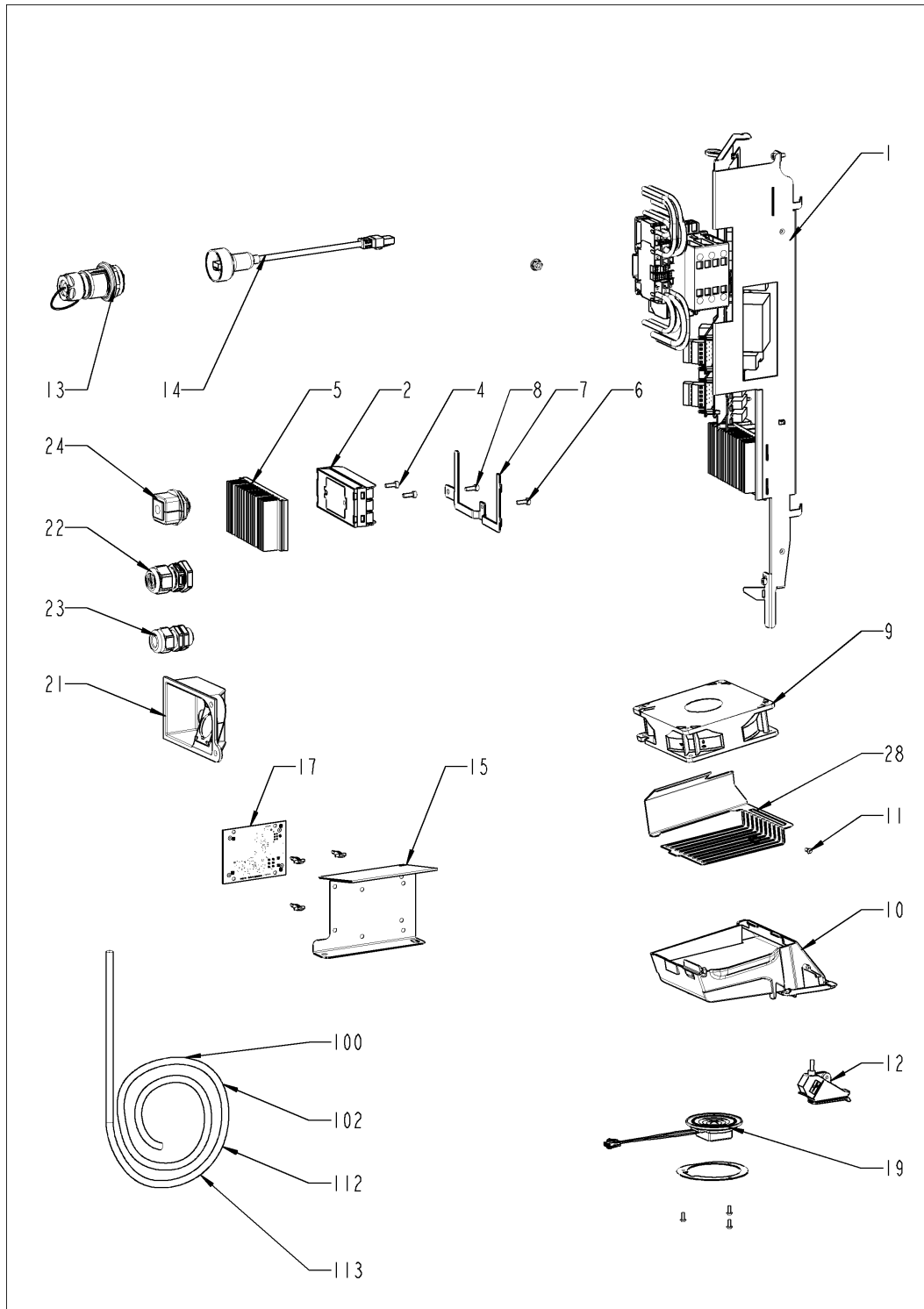
## Pos. 1 Control panel



## Pos. 1 Control panel

Pos.	Part no.	Description	Qty.
1	<a href="#">87.01.646S</a>	Front panel with overlay/TFT *OEM*	1
3	<a href="#">42.00.302P</a>	Display *TFT*	1
4	<a href="#">16.03.993P</a>	Fixing display / pcb	1
6	<a href="#">42.00.251P</a>	Control pcb (w/o SD-Card)	1
8	<a href="#">42.00.359P</a>	Micro SD card	1
9	<a href="#">42.00.346P</a>	On-Off sensor	1
10	<a href="#">40.06.760P</a>	Cable control pcb - capacitive switch	1
11	<a href="#">40.06.435P</a>	Interface USB	1
12	<a href="#">40.06.410P</a>	Interface cable LAN 2m	1
13	<a href="#">16.03.756P</a>	Dial f. pulse generator	1
14	<a href="#">40.06.037P</a>	Pulse generator	1
15	<a href="#">16.03.929P</a>	Cover f. control pcb w. gasket	1
16	<a href="#">16.04.204S</a>	On-Off sensor support	1
19	<a href="#">16.03.994P</a>	Fastening device for OEM film	1
20	<a href="#">16.04.410P</a>	Insert *TH*	1
21	<a href="#">40.06.569P</a>	Cable CPU - TFT	1
23	<a href="#">16.04.319P</a>	Sealing block BUS	1
24	<a href="#">16.04.318P</a>	Sealing block LAN/USB	1

## Pos. 2 Electrical installation



## Pos. 2 Electrical installation

Pos.	Part no.	Description	Qty.
1		Electrical installation	1
2	40.05.840P	Solid state relais	2
4	10.01.776P	Pan head screw Torx T20 M4x12	4
5	40.04.795P	Heat sink small SSR	1
6	10.01.776P	Pan head screw Torx T20 M4x12	1
7	40.07.031P	Mounting device heat sink SSR	1
8	10.01.776P	Pan head screw Torx T20 M4x12	1
9	40.05.993P	Cooling fan	1
10	40.05.016P	Air shaft cpl.	1
11	10.01.776P	Pan head screw Torx T20 M4x12	1
12	40.06.435P	Interface USB	1
13	40.05.509P	Interface LAN IPX6	1
14	40.06.410P	Interface cable LAN 2m	1
15	40.06.425P	Holder for mains filter	1
16	1006.0762P	Hex screw M6x10	1
17	42.00.327P	Bus interface	1
18	40.03.732P	Tie rap 160 mm	18
19	40.07.257P	Loudspeaker K 64 WP FR	1
21	50.01.786S	Cable entry	1
22	40.04.530P	Cable connection M25x1.5	1
23	40.00.320S	Cable gland M20x1.5	1
24	40.04.495P	Cable connection M25 ø5mm *divisible*	1
28	40.06.451P	Grid for fan assembly	1
29	40.07.672P	Termination resistor, Young Yak connector	1
100	40.06.670P	Cable control harness	1
102	40.06.673P	Cable harness base	1
112	40.05.268P	Power supply cable 4xAWG10 SOOW+15-30P	1
113	40.06.851P	Cable A11-A18	1
123	40.05.858P	Bus cable 1.08m	1
124	40.03.998P	Bus cable 1.15m	1

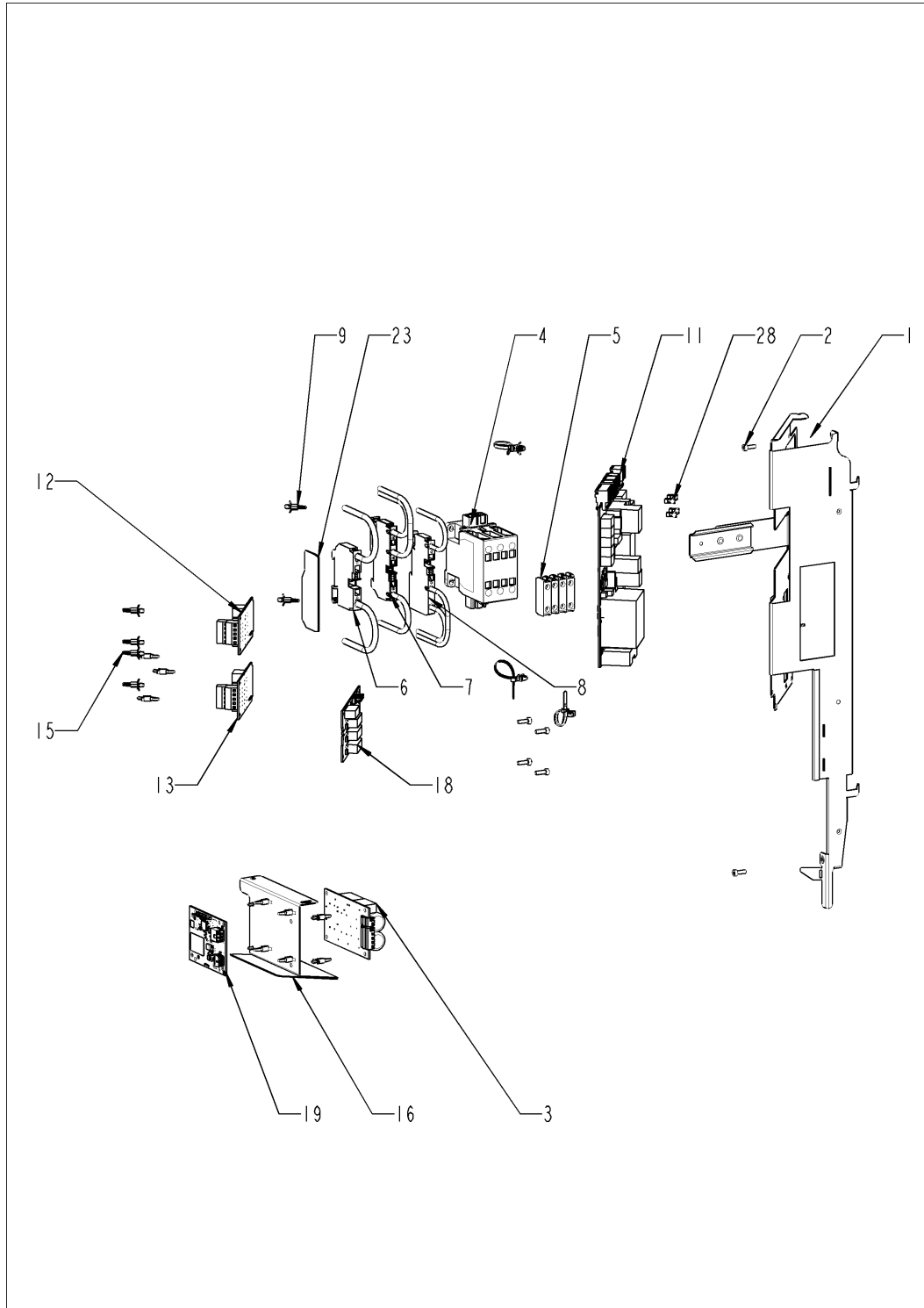
**iCombi as of 03/2020 XS - 6 x 2/3 Gastronorm  
E60SJ22052971487**

---



<b>Pos.</b>	<b>Part no.</b>	<b>Description</b>	<b>Qty.</b>
130	<a href="#">40.07.752P</a>	Cable X24-SSR	1

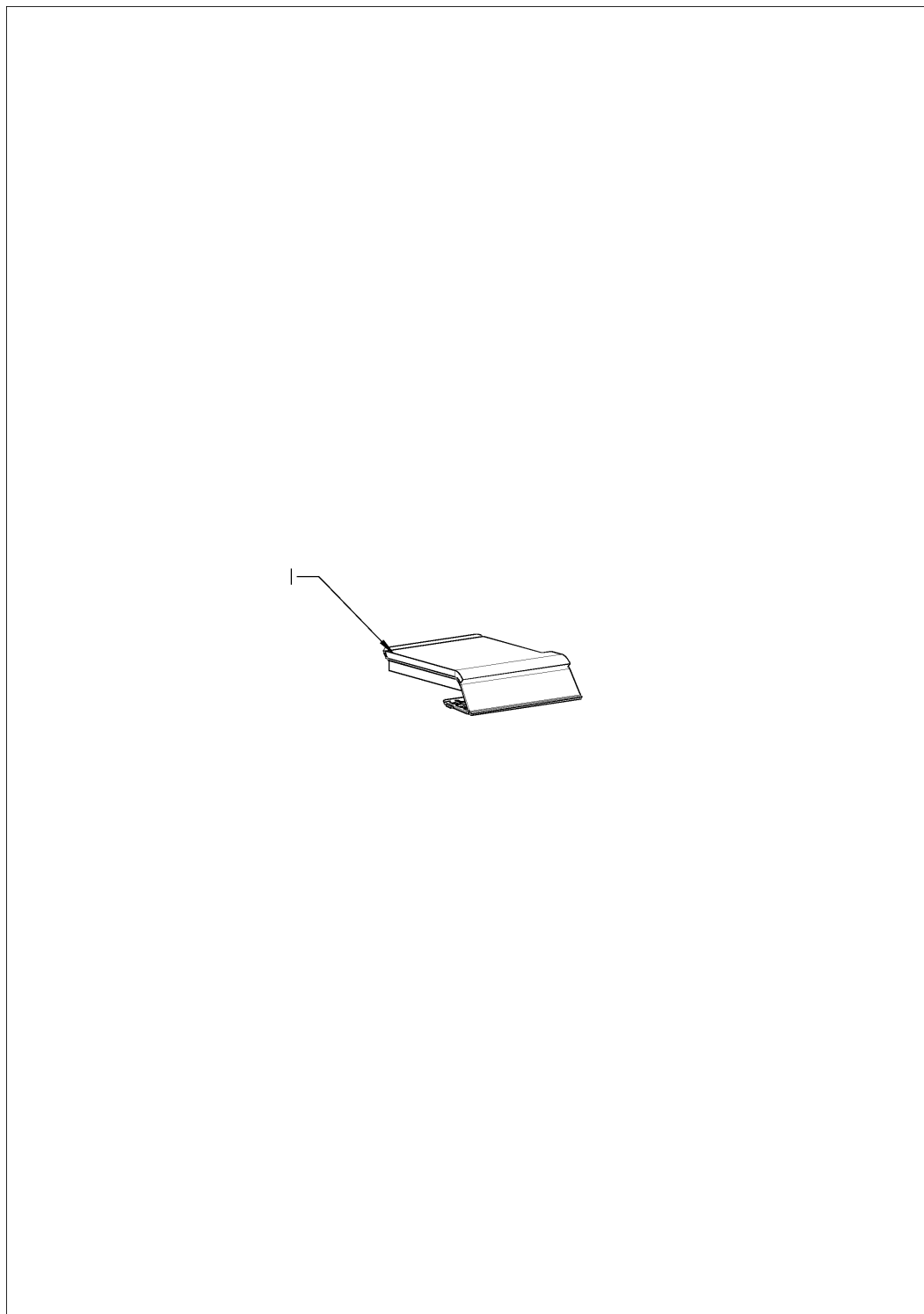
## Pos. 1 Electrical installation



## Pos. 1 Electrical installation

Pos.	Part no.	Description	Qty.
1	<a href="#">40.06.370P</a>	Contacteur assembly	1
2	<a href="#">10.01.776P</a>	Pan head screw Torx T20 M4x12	1
3	<a href="#">42.00.322P</a>	Electronic noise filter	1
4	<a href="#">40.05.269P</a>	Contacteur B&J K3-10NDR10 190R B01B01TX	1
6	<a href="#">40.03.953P</a>	Earth terminal WKN 6SL/U	1
8	<a href="#">40.05.260P</a>	Terminal block WKFN 6 D1/2/35 grey	1
9	<a href="#">40.03.756P</a>	Fixing clip f. pcb	1
11	<a href="#">42.00.280P</a>	I/O board	1
14	<a href="#">10.00.989P</a>	Rivet with screw	1
15	<a href="#">40.03.756P</a>	Fixing clip f. pcb	1
16	<a href="#">40.06.425P</a>	Holder for mains filter	1
18	<a href="#">42.00.314P</a>	Cleaning PCB	1
19	<a href="#">42.00.327P</a>	Bus interface	1
20	<a href="#">10.01.776P</a>	Pan head screw Torx T20 M4x12	1
21	<a href="#">40.01.487P</a>	Fuse holder 2pol	1
22	<a href="#">40.01.588P</a>	Fuse SC-8A 10x38	2
23	<a href="#">40.05.279P</a>	End cover APFN 6 D1/2/35	1
28	<a href="#">40.06.767P</a>	Fuse 4A *Typ 5HT 4-R*	1
29	<a href="#">3019.0125P</a>	Fuse 5x20mm	1

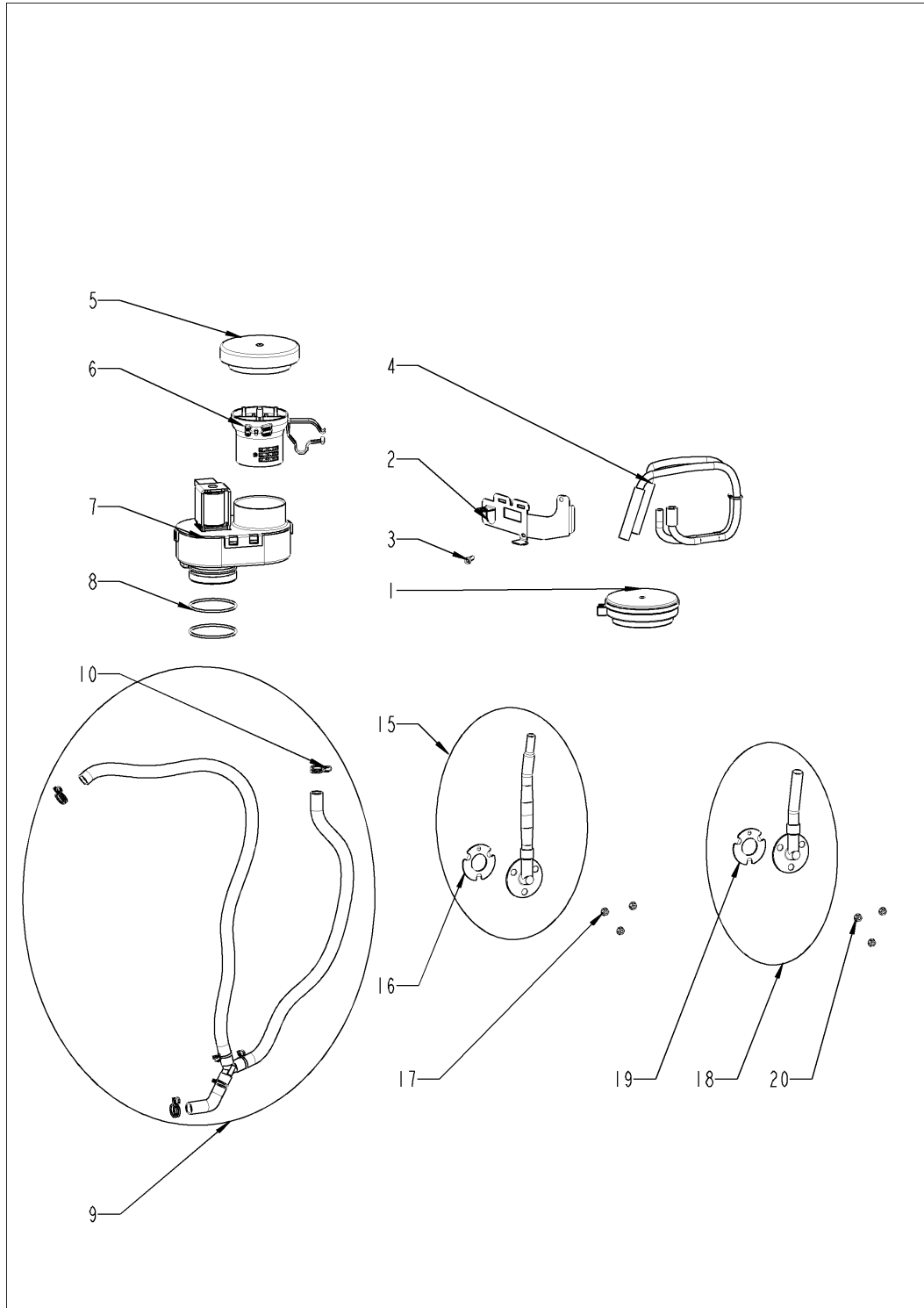
## Pos. 10 Air shaft cpl.



## Pos. 10 Air shaft cpl.

Pos.	Part no.	Description	Qty.
1	<a href="#">40.04.771P</a>	Air inlet filter	1

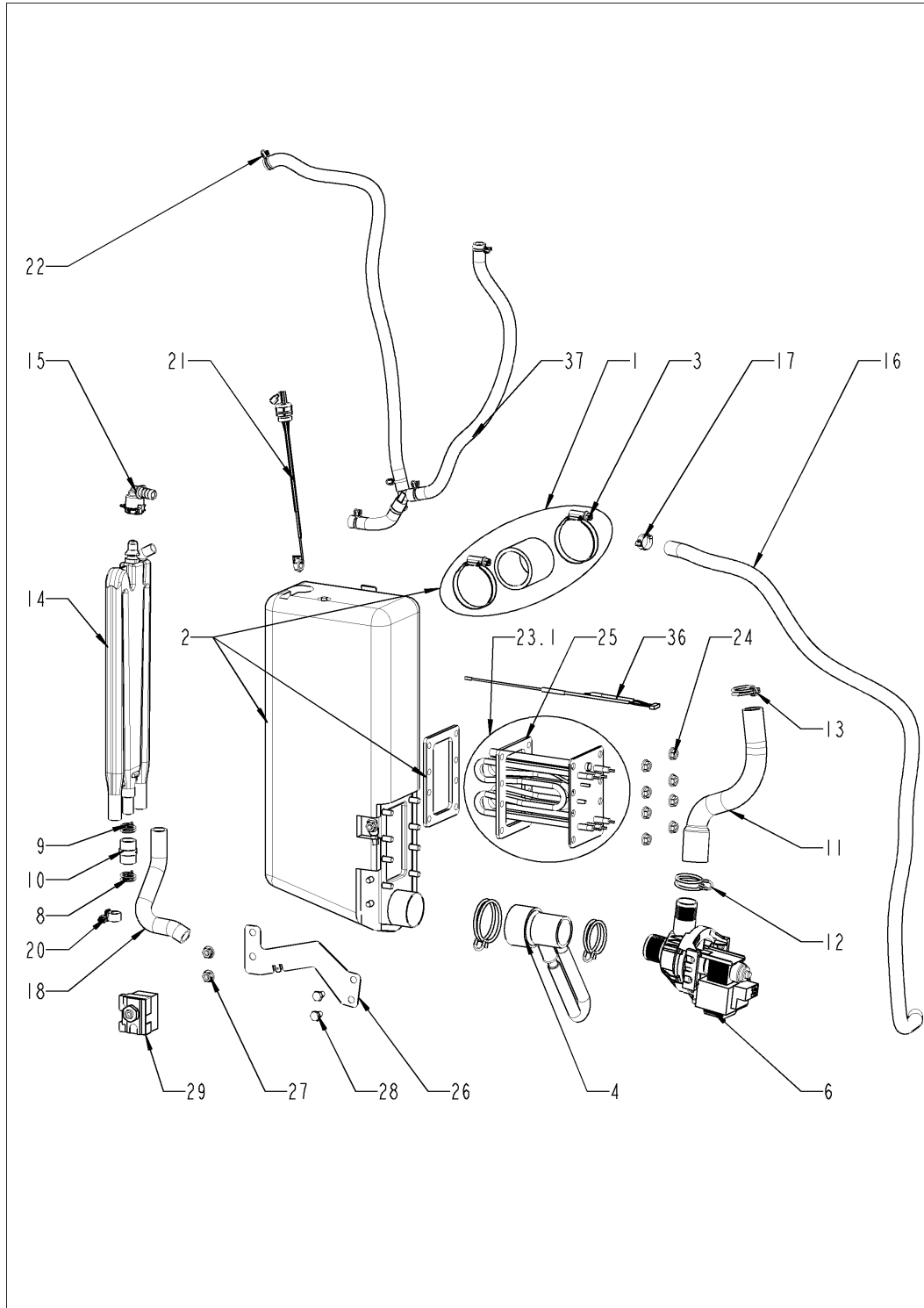
## Pos. 3 ClimaPlus



## Pos. 3 ClimaPlus

Pos.	Part no.	Description	Qty.
1	<a href="#">3017.1011P</a>	Pressure sensor Huba 3 mbar	1
2	<a href="#">40.06.418P</a>	Mounting device f. pressure sensor	1
3	<a href="#">10.01.776P</a>	Pan head screw Torx T20 M4x12	1
4	<a href="#">22.01.538P</a>	Hose set f. humidity control	1
5	<a href="#">22.01.112P</a>	Vent cover	1
6	<a href="#">22.00.914P</a>	Air inlet pipe	1
7	<a href="#">22.00.725P</a>	Humidity control cpl.	1
8	<a href="#">22.00.837P</a>	O-ring for humidity control	2
9	<a href="#">22.01.179P</a>	Hose set for ventilation	1
10	<a href="#">2066.0527P</a>	Hose clamp ø14mm	6
15	<a href="#">22.01.105S</a>	Inner humidity meas. Piece	1
16	<a href="#">22.00.881P</a>	Gasket f. hum. meas. Pipe	1
17	<a href="#">10.00.916P</a>	Hex nut M4 w. locking	3
18	<a href="#">22.01.107S</a>	Outer humidity meas. Piece	1
19	<a href="#">22.00.881P</a>	Gasket f. hum. meas. Pipe	2
20	<a href="#">10.00.916P</a>	Hex nut M4 w. locking	6

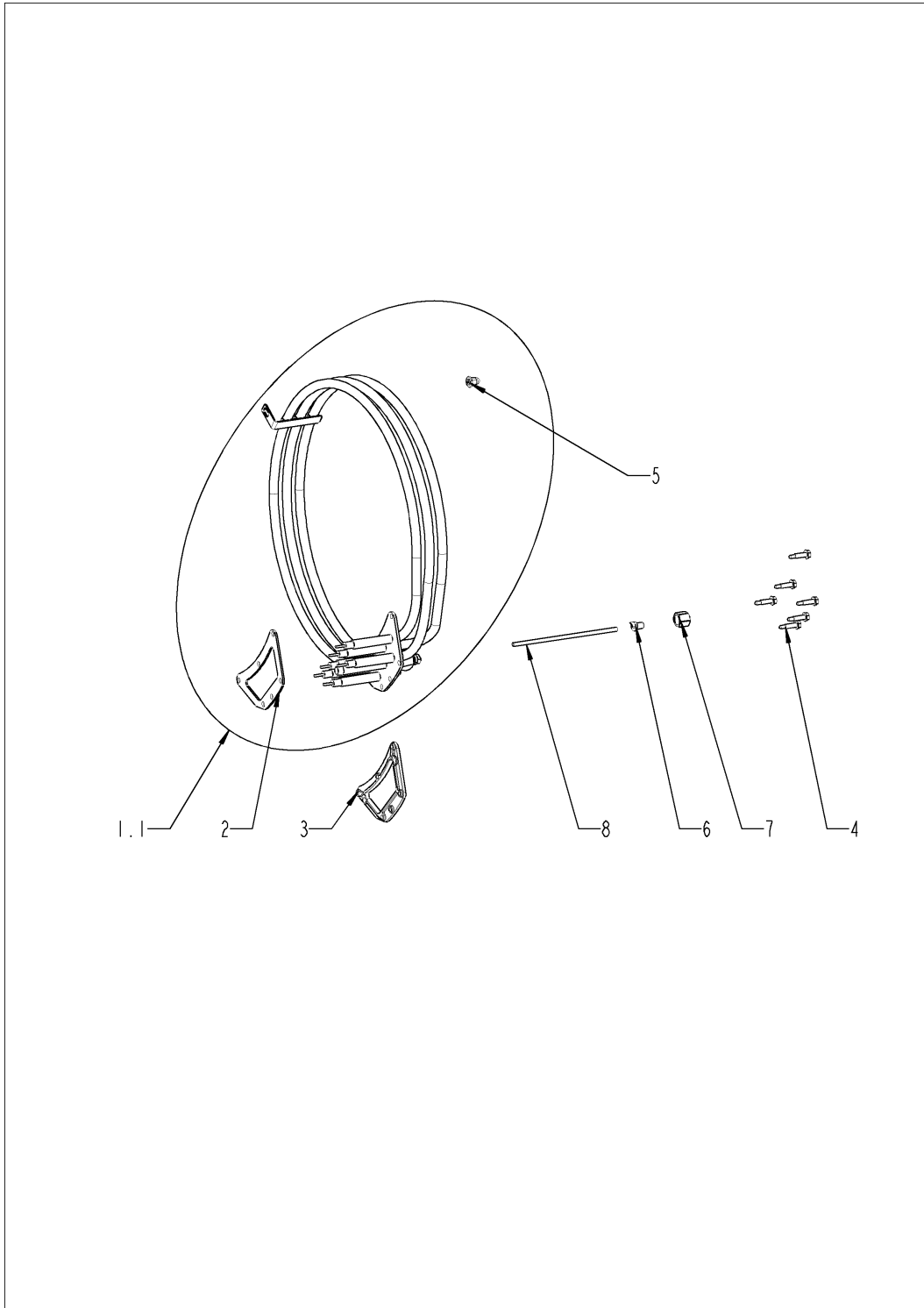
## Pos. 4 Steam generator



## Pos. 4 Steam generator

Pos.	Part no.	Description	Qty.
1	44.01.463S	Steam hose kit Ø40x50mm	1
2	87.01.458	Steam generator insolated *Service*	1
3	2066.0507P	Hose clamp 32-50mm	1
4	8354.1320P	Pump connection spout cpl.	1
5	10.01.868P	Hose clamp 32-50mm	2
6	44.00.207P	Emptying pump	1
8	2066.0530P	Hose clamp ø16.4mm	1
9	2066.0530P	Hose clamp ø16.4mm	1
10	44.01.918P	Bushing for filling steam generator	1
11	44.01.470P	Drain hose steam generator	1
12	2066.0518P	Hose clamp 30mm	1
13	2066.0518P	Hose clamp 30mm	1
14	44.01.546P	Safety device / water supply for steam generator	1
15	52.00.017P	Angle plug PS3 6-6-90°	1
16	2067.0050	Pressure hose d10mm	.85
17	2066.0205P	Hose clamp 8-16x9 mm SW 7mm	1
18	44.01.569P	Drain hose, safety device	1
20	2066.0206P	Hose clamp 16-25mm/9mm-C72V SW7	1
21	44.01.581P	Filling level electrode 170 mm	1
22	2066.0527P	Hose clamp ø14mm	1
23.1	87.01.357	Heating element with gasket	1
24	10.00.709P	Hex nut M6 w. locking	1
25	44.01.433P	Gasket f. heating element	1
26	44.01.445P	Fixing device f. pump steam generator	1
27	10.00.709P	Hex nut M6 w. locking	2
28	1006.0762P	Hex screw M6x10	2
29	40.01.329S	Dry up protector 183°C	1
36	40.06.526P	Thermocouple *B5/B10*	1
37	22.01.179P	Hose set for ventilation	1

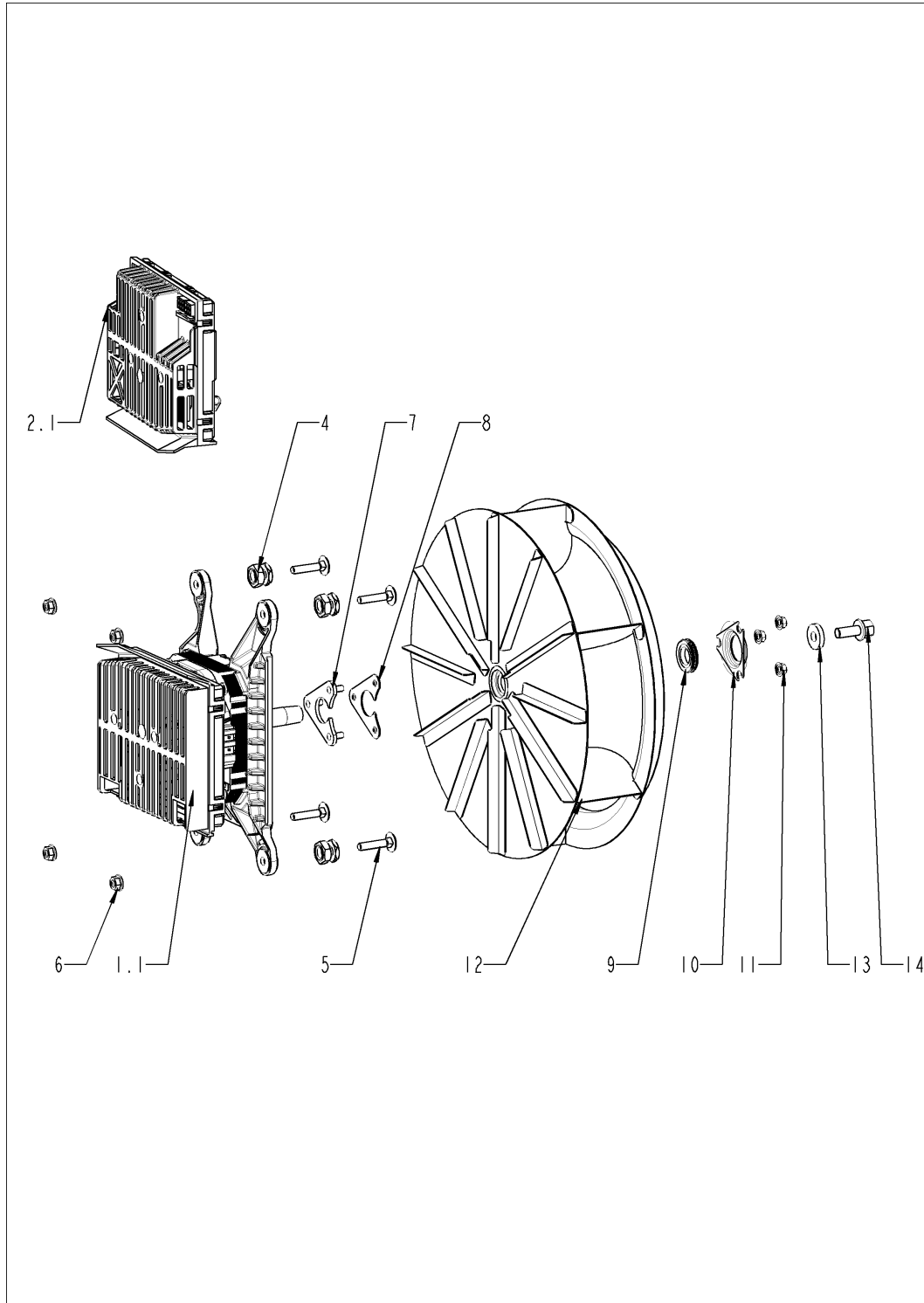
## Pos. 5 Hot air heating



## Pos. 5 Hot air heating

Pos.	Part no.	Description	Qty.
1.1	<a href="#">87.01.806S</a>	Heating assembly with gasket	1
2	<a href="#">46.00.170P</a>	Gasket f. heating assembly	1
3	<a href="#">46.00.171P</a>	Mating flange f. heating assembly	1
4	<a href="#">10.00.109P</a>	Hex screw M5x23	6
5	10.01.076P	Cap nut M5*A2	1
6	<a href="#">50.00.844P</a>	Nozzle f. moistening	1
7	<a href="#">50.00.846P</a>	Union nut M12x13.2 N	1
8	<a href="#">50.01.722P</a>	Plastic pipe 4,5x0,75x136mm	1

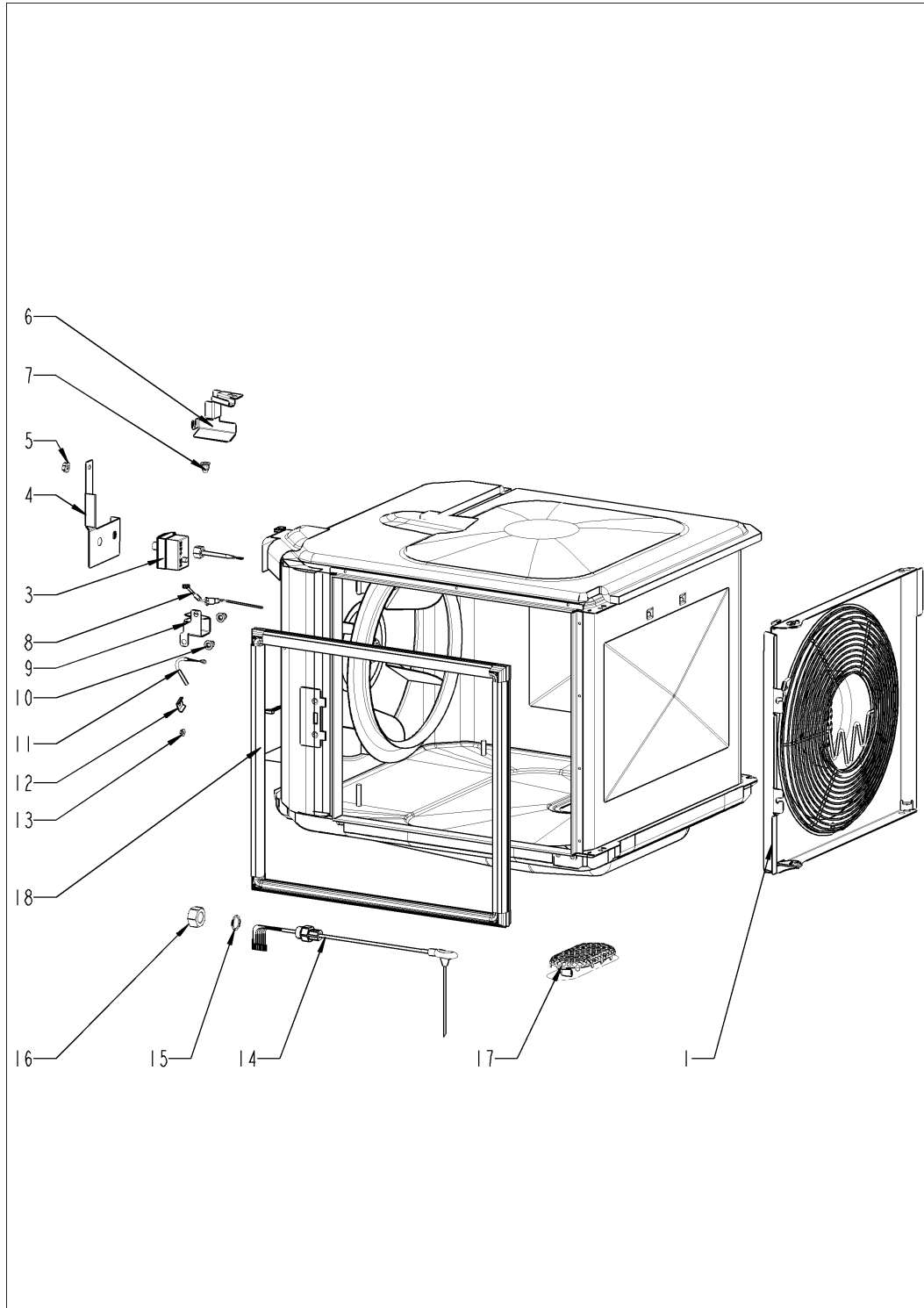
## Pos. 6 Motor and fan wheel



## Pos. 6 Motor and fan wheel

Pos.	Part no.	Description	Qty.
1.1	<a href="#">87.01.374</a>	Fan motor	1
2.1	<a href="#">87.01.376</a>	Motor control for fan motor	1
4	<a href="#">20.02.677P</a>	Bushing for motor mounting bar	1
5	<a href="#">10.01.049P</a>	Square necked mushroom head bolt 6x30	4
6	<a href="#">10.01.490P</a>	Hex nut M6	4
7	<a href="#">22.00.722P</a>	Mounting support f. gasket flange	1
8	<a href="#">22.01.196P</a>	Graphit seal for gasket flange	1
9	<a href="#">22.00.985P</a>	Motor shaft gasket D15	1
10	<a href="#">22.00.721P</a>	Flange f. motor shaft gasket	1
11	<a href="#">10.01.065P</a>	Hex nut M5	3
12	<a href="#">22.01.062S</a>	Fan wheel	1
13	<a href="#">1308.0162P</a>	Washer A8,4	1
14	<a href="#">10.00.936P</a>	Hex screw M8x20	1

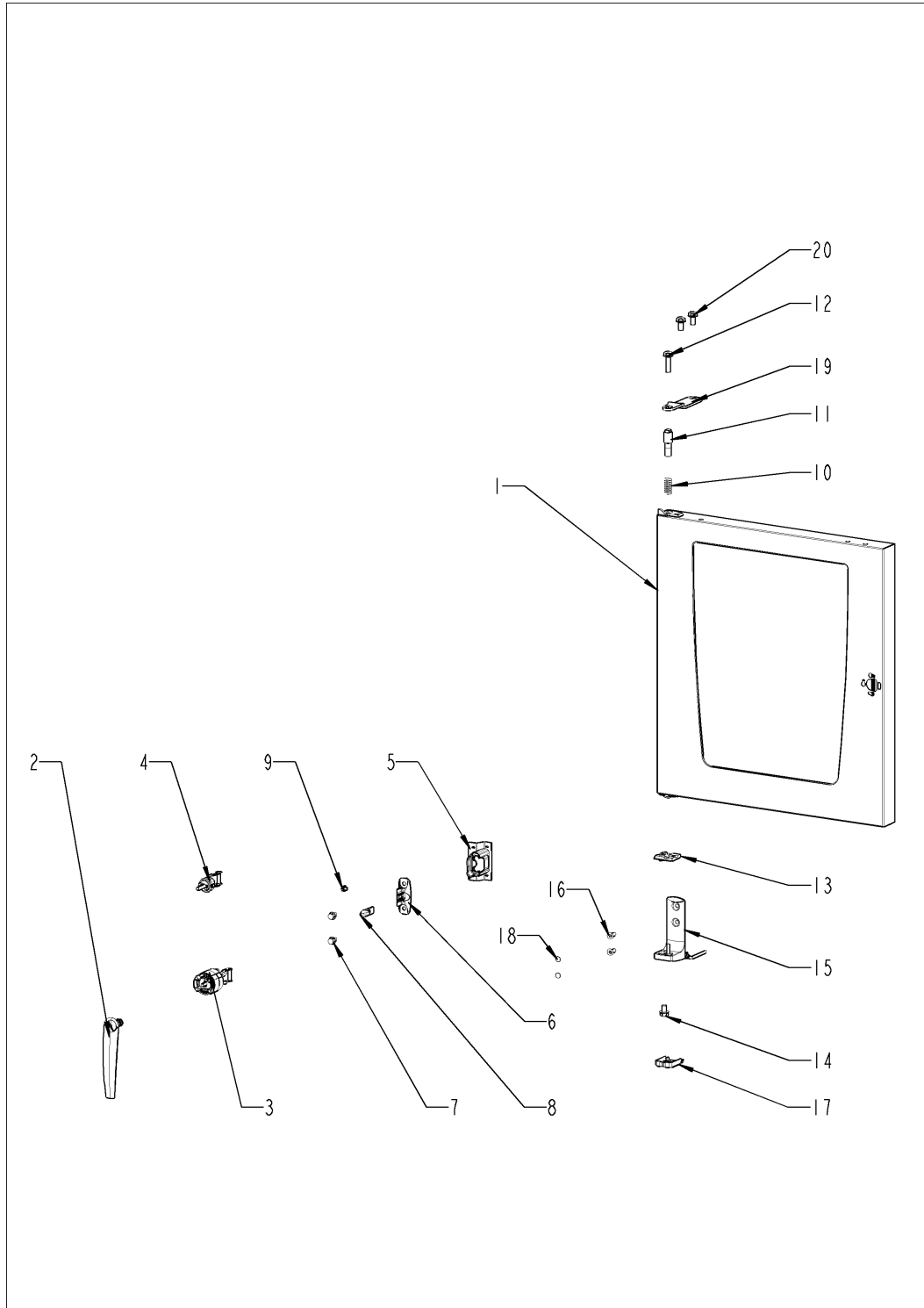
## Pos. 7 Interior cabinet



## Pos. 7 Interior cabinet

Pos.	Part no.	Description	Qty.
1	<a href="#">22.01.014P</a>	Air baffle	1
3	<a href="#">40.01.482S</a>	Safety temperature limiter 365°C	1
4	<a href="#">40.04.834P</a>	Fixing device for safety temperature limiter	1
5	<a href="#">10.00.709P</a>	Hex nut M6 w. locking	1
6	<a href="#">40.04.844P</a>	Screen for safety temperature limiter	1
7	<a href="#">10.01.076P</a>	Cap nut M5*A2	1
8	<a href="#">40.04.869P</a>	Thermocouple interior cabinet B1	1
9	<a href="#">40.03.782P</a>	Shielding for interior cabinet sensor	1
10	<a href="#">10.01.076P</a>	Cap nut M5*A2	2
11	<a href="#">40.04.907S</a>	Thermocouple humidity *B4*	1
12	<a href="#">10.00.087P</a>	Clamp strap f. sensor	1
13	<a href="#">10.00.916P</a>	Hex nut M4 w. locking	1
14	<a href="#">1016.0700P</a>	Hex screw M16x20	1
17	<a href="#">20.02.515P</a>	Outlet sieve	1
18	<a href="#">20.02.549P</a>	Door gasket	1

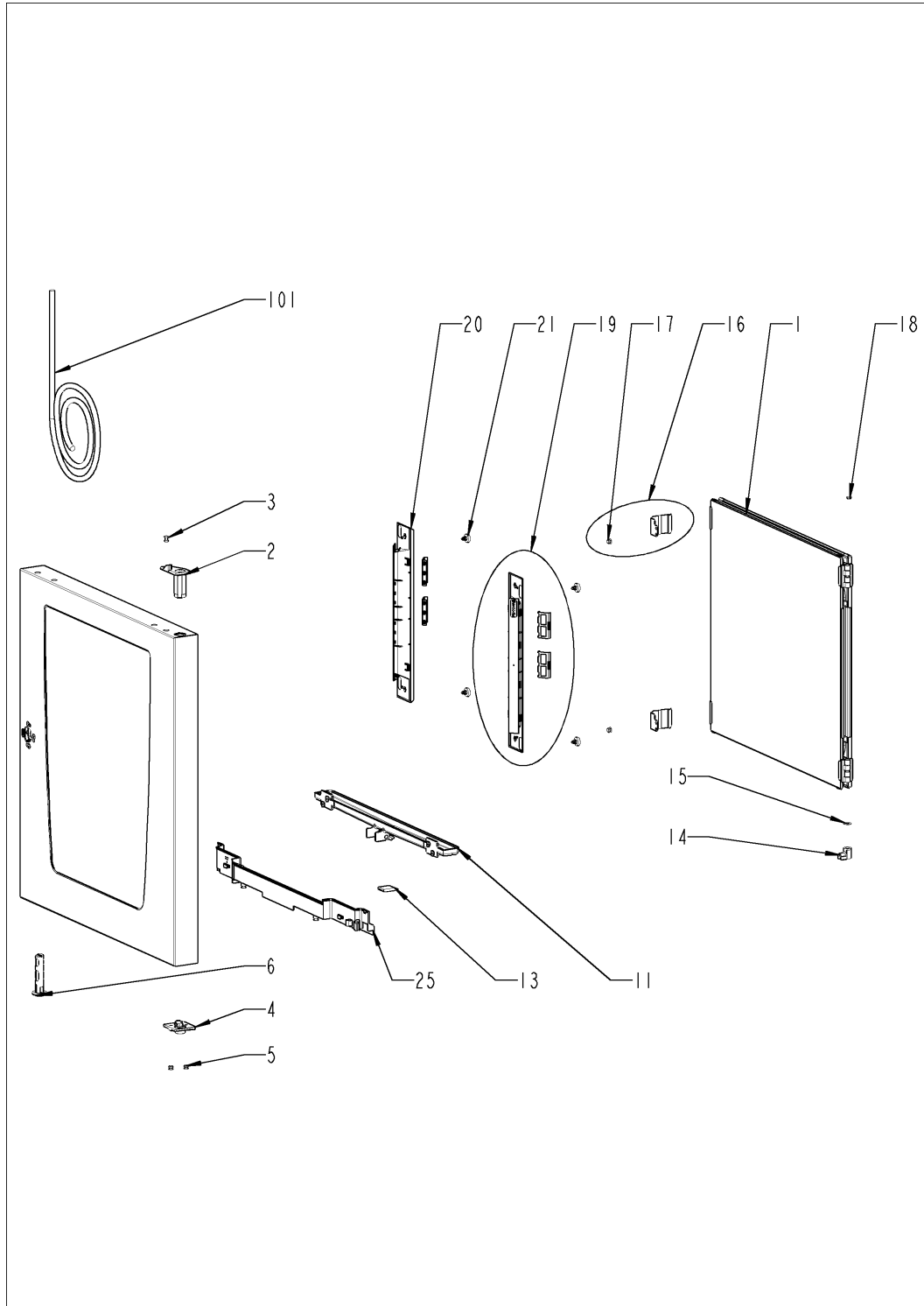
## Pos. 8 Door



## Pos. 8 Door

Pos.	Part no.	Description	Qty.
1	<a href="#">24.04.785P</a>	Door	1
2	<a href="#">24.04.083P</a>	Door handle RATIONAL	1
3	<a href="#">24.03.213P</a>	Door lock with spring U-bolt *2-step*	1
4	<a href="#">24.03.288P</a>	Spring U-bolt for door lock	1
5	<a href="#">24.03.185P</a>	Lock cover	1
6	<a href="#">24.02.832P</a>	Holding bracket f. door catch *2-step*	1
7	<a href="#">1006.0760P</a>	Hex screw M6x16	2
8	<a href="#">24.02.990P</a>	Door catch for 2-step lock	1
9	<a href="#">24.02.960P</a>	Interlocking tooth screw M5x6	1
10	<a href="#">2001.0109P</a>	Compression spring	1
11	<a href="#">24.03.040P</a>	Door bolt	1
12	<a href="#">1008.0769P</a>	Ornamental screw M8x30	1
13	<a href="#">24.03.183P</a>	Door bolt	1
14	<a href="#">10.01.527P</a>	Hex screw M8x12	1
15	<a href="#">24.03.357P</a>	Door mounting support bottom	1
16	<a href="#">1006.1962P</a>	Countersunk screw Torx M6x16	1
17	<a href="#">24.03.786P</a>	Cap for door mounting support bottom	1
18	<a href="#">10.00.090P</a>	Cap f. Torx T30	2
19	<a href="#">24.03.399P</a>	Door mounting support top	1
20	<a href="#">1008.0768P</a>	Ornamental screw M8x16	2
21	<a href="#">1306.0120P</a>	Washer A6,4	2

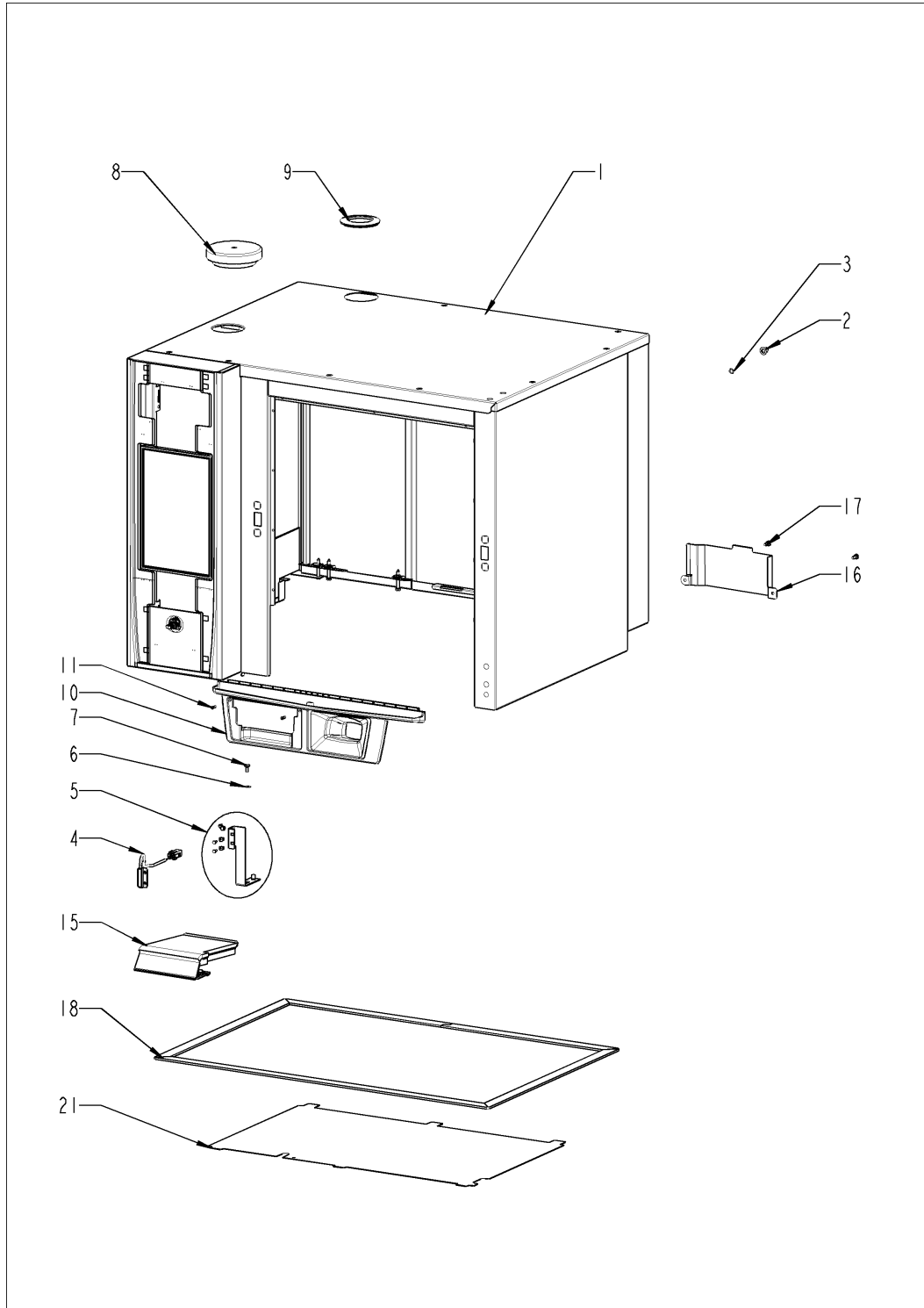
## Pos. 1 Door



## Pos. 1 Door

Pos.	Part no.	Description	Qty.
1	87.01.416	Glass pane bundle	1
2	24.03.053P	Sleeve for door bolt top	1
3	10.00.890P	Rivet 4x10	1
4	24.03.054P	Door setting bolt	1
5	10.00.904P	Rivet B4x8	2
6	24.00.502P	Fixing device f. magnet with magnet	1
11	24.03.021P	Door drip collector	1
13	24.03.355P	Drain seal for door drip collector	1
14	24.03.056P	Slide bush for door	1
15	24.03.057P	Abrasion protection for glide socket	1
16	24.03.787S	Fixing bracket kit for interior glass pane	2
17	10.02.416P	Rivet Ø4x8, A2	2
18	24.03.062P	Cover cap for door	1
19	87.01.578S	LED bar	2
20	87.01.586S	LED optics	2
21	24.05.458P	Plastic spreader rivet	4
25	24.03.468P	Cable shaft for door	1
101	40.06.715P	Wire set for door lighting	1

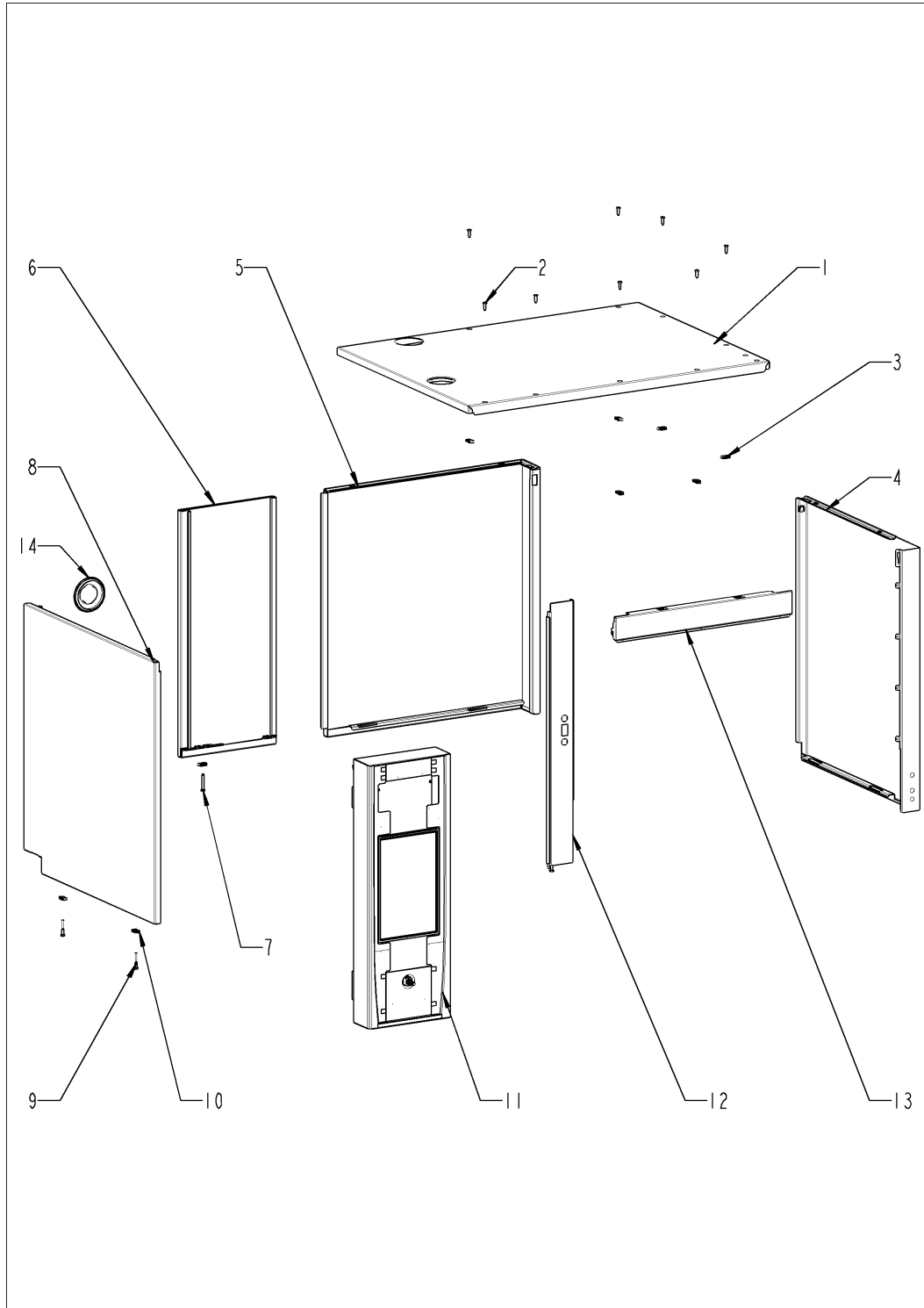
## Pos. 9 Exterior cabinet



## Pos. 9 Exterior cabinet

Pos.	Part no.	Description	Qty.
1		Exterior cabinet	1
2	10.01.076P	Cap nut M5*A2	1
3	1205.0120P	Tooth lock washer A5,3	1
4	40.04.342P	Door switch 0.45m	1
5	12.02.406S	Bracket for door contact switch	1
6	1304.0160P	Washer A4,3	2
7	1004.0666P	Hex screw M4x10	2
8	22.01.112P	Vent cover	1
9	56.00.800P	Gasket f. breather tube	1
10	56.00.827P	Frame for drawer CareControl	1
11	10.00.980P	EJOT PT-Screw K30x10	1
15	40.04.771P	Air inlet filter	1
16	12.01.877P	Splash guard	1
17	1004.0666P	Hex screw M4x10	2
18	12.01.899P	Gasket for base frame	1
21	12.01.716P	Cover for base frame	1

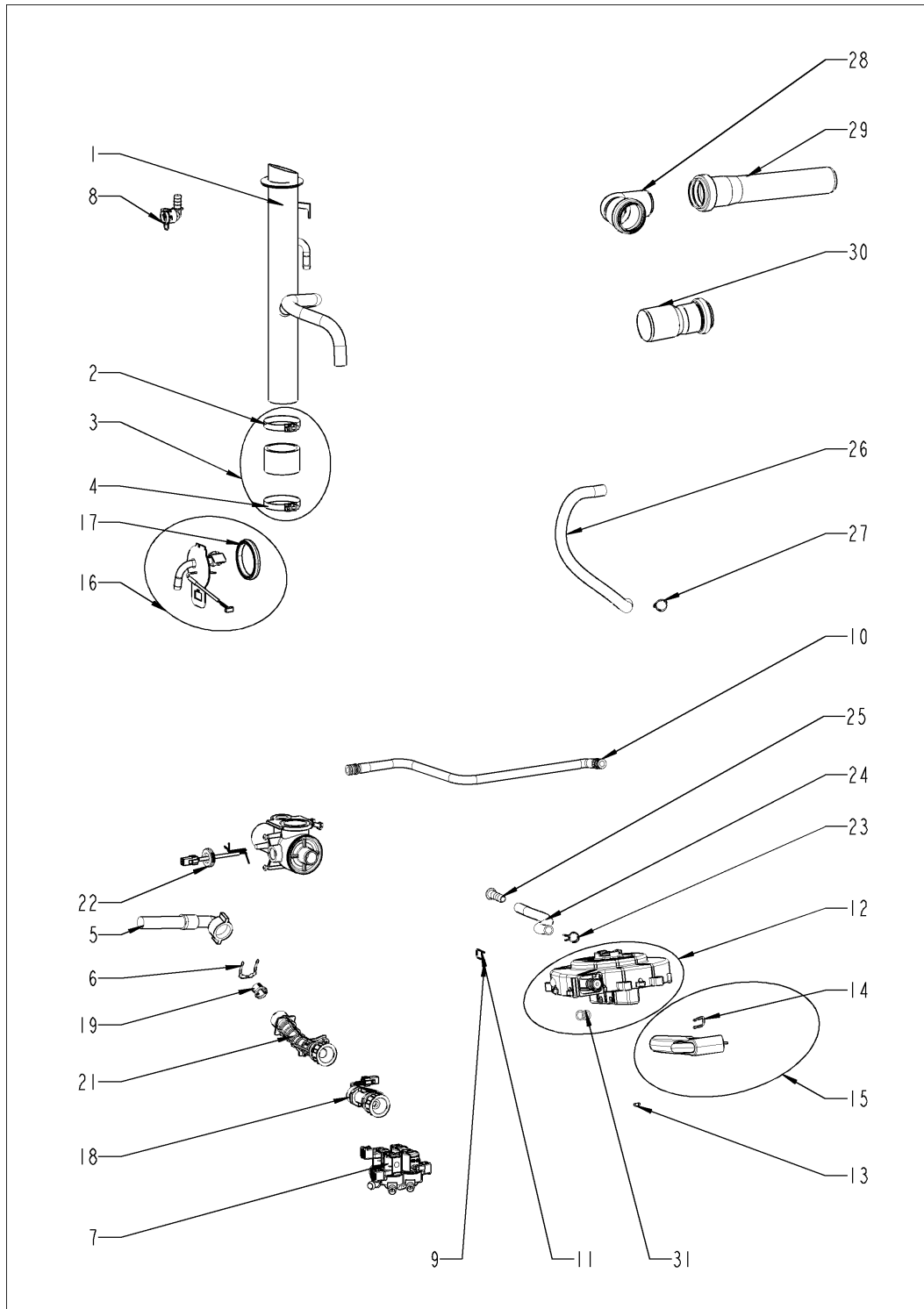
## Pos. 1 Exterior cabinet



## Pos. 1 Exterior cabinet

Pos.	Part no.	Description	Qty.
1	<a href="#">16.02.961P</a>	Top cover	1
2	<a href="#">1003.2265P</a>	Countersunk self tapping screw 4,2x16	8
3	<a href="#">1104.0820P</a>	Snap nut 4,2mm	8
4	<a href="#">16.02.949P</a>	Side panel right	1
5	<a href="#">16.02.962P</a>	Back panel, right	1
6	<a href="#">16.02.963P</a>	Back panel, left	1
7	<a href="#">10.00.102P</a>	Hex self tapping screw B4,2x32	2
8	<a href="#">16.03.331P</a>	Side panel left	1
9	<a href="#">10.00.992P</a>	Hex self tapping screw B4,2x32	2
10	<a href="#">1104.0820P</a>	Snap nut 4,2mm	2
11	<a href="#">87.01.646S</a>	Front panel with overlay/TFT *OEM*	1
12	<a href="#">16.02.948P</a>	Crossbar front panel	1
13	<a href="#">16.02.905P</a>	Crossbar top	1
14	<a href="#">56.00.874P</a>	Gasket wastewater	1

## Pos. 10 Water



## Pos. 10 Water

Pos.	Part no.	Description	Qty.
1	54.01.517P	Ventilation pipe	1
2	10.01.455P	Hose clamp Ø54x9	1
3	54.01.503S	Silicone form piece, venting pipe + hose clamp	1
4	10.01.455P	Hose clamp Ø54x9	1
5	2067.0709P	Hose for water supply 2500mm	1
6	50.00.086P	Locking plate f. water distribution	1
7	50.01.733P	Quad solenoid valve	1
8	52.00.017P	Angle plug PS3 6-6-90°	1
9	50.00.085P	Retractor locking spring	1
10	52.00.058S	Connect. hose f. hand shower roll guide	1
11	50.00.085P	Retractor locking spring	1
12	52.00.016P	Hand shower roll guide	1
13	10.00.846P	Hex nut self-locking M5 Din 985	1
14	50.00.156P	Clamp f. hand shower roll guide	1
15	50.00.282S	Hand shower black	1
16	54.01.511S	Inspection lid, B2	1
17	54.01.168P	Gasket f. inspection lid	1
18	50.01.640S	Water volume sensor	1
19	1900.0202P	Water filter	1
20	2066.0202P	Hose clamp 12-22 mm	1
21	50.01.799S	Water distribution	1
22	2022.0101P	Grommet d8mm	1
23	2066.0527P	Hose clamp ø14mm	1
24	52.00.047P	Hose ø10x2x220 f. hand shower	1
25	52.00.059P	Grommet for drain hose	1
26	2067.0050	Pressure hose d10mm	.39
27	2066.0202P	Hose clamp 12-22 mm	1
28	2070.0050P	Elbow-pipe PP DN40 87°	1
29	50.02.053P	HT drain pipe DN40 150mm	1
30	50.01.967P	HT drain adapter DN 40/50	1

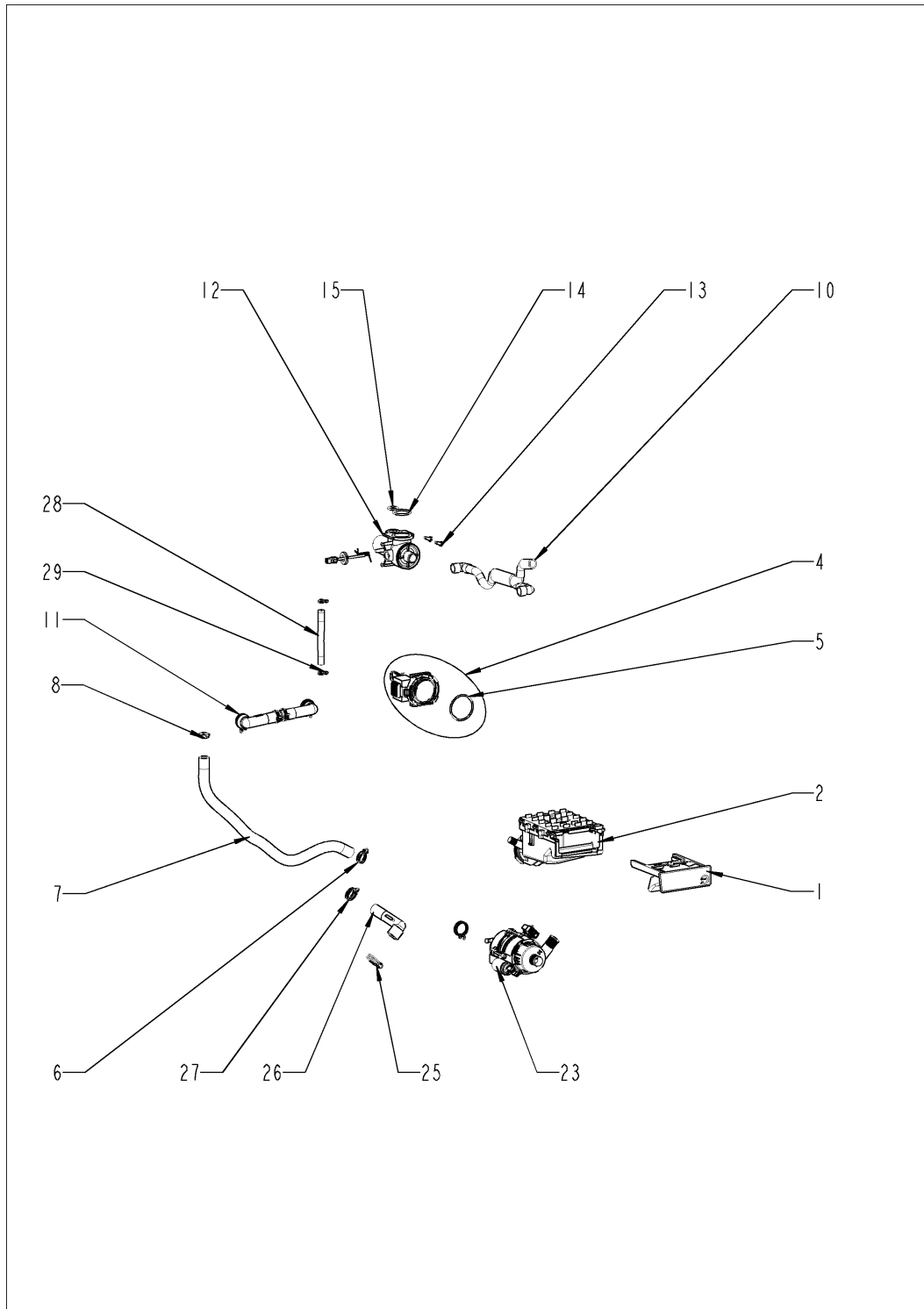
**iCombi as of 03/2020 XS - 6 x 2/3 Gastronorm  
E60SJ22052971487**

---



<b>Pos.</b>	<b>Part no.</b>	<b>Description</b>	<b>Qty.</b>
31	50.00.554P	O-ring for hand shower 11x2mm	2

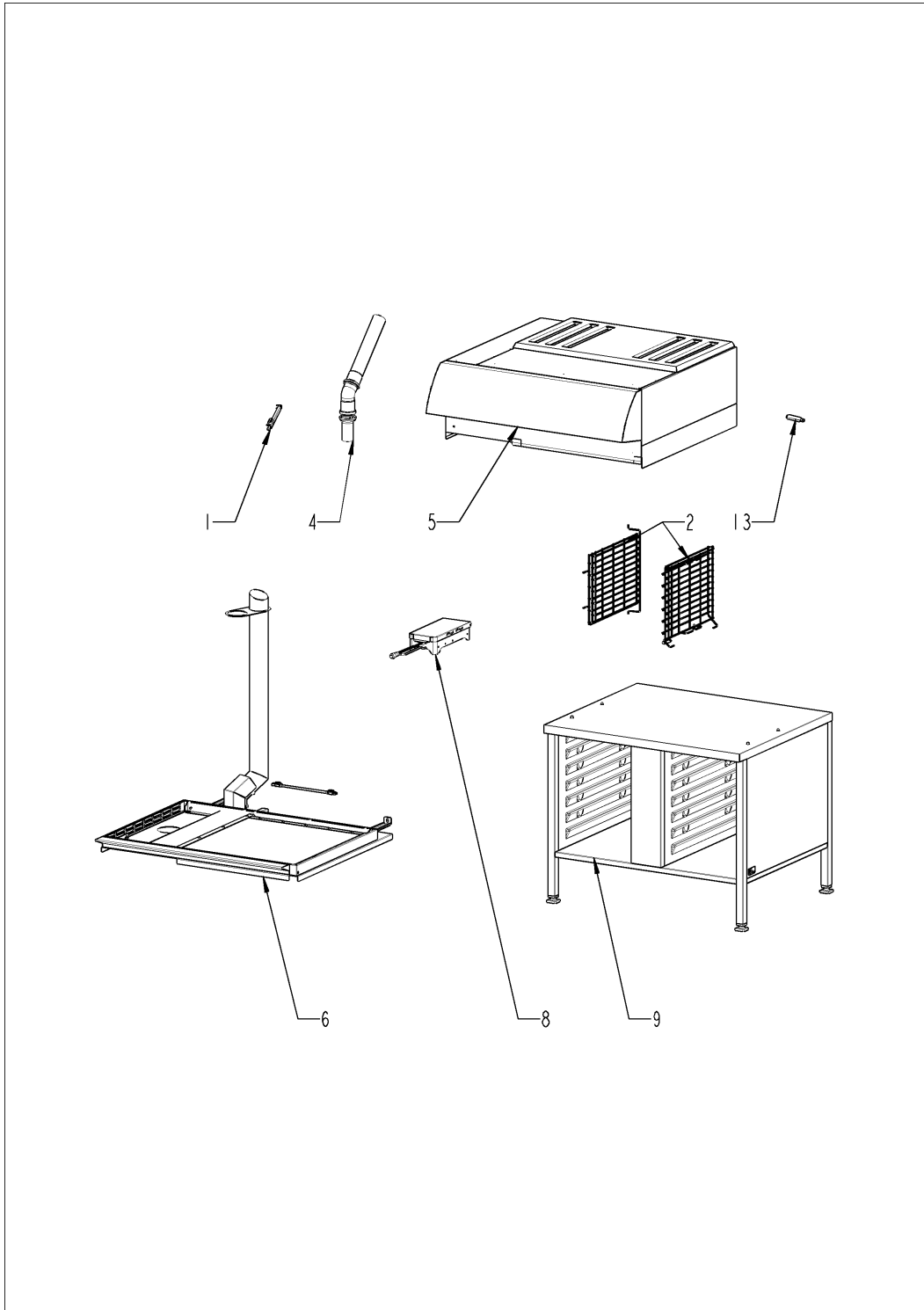
## Pos. 11 Cleanjet + Care



## Pos. 11 CleanJet + Care

Pos.	Part no.	Description	Qty.
1	<a href="#">56.00.672P</a>	Drawer Care container	1
2	<a href="#">56.00.666S</a>	Care container with O-ring	1
4	<a href="#">56.00.918P</a>	Care Pump	1
5	<a href="#">56.00.922P</a>	O-ring for pump CareControl	1
6	<a href="#">10.00.605P</a>	Hose clamp ø25.3	1
7	<a href="#">56.00.677S</a>	Care hose	1
8	<a href="#">2066.0206P</a>	Hose clamp 16-25mm/9mm-C72V SW7	1
10	<a href="#">56.00.966P</a>	Drain pipe with bushings	1
11	<a href="#">56.00.784P</a>	Suction hose f. cleaning	1
12	<a href="#">56.00.731P</a>	Ball valve drain SCC cpl.	1
13	<a href="#">10.00.449P</a>	Pan head screw M6x16	2
14	<a href="#">56.00.830P</a>	O-ring for ball valve drain 36x3.5	1
15	<a href="#">56.00.829P</a>	O-ring for ball valve drain 19x3.5	1
16	<a href="#">2066.0202P</a>	Hose clamp 12-22 mm	1
17	<a href="#">2067.0050</a>	Pressure hose d10mm	.625
23	<a href="#">56.00.870P</a>	Pump f. cleaning UP30	1
25	<a href="#">2066.0518P</a>	Hose clamp 30mm	1
26	<a href="#">56.00.823P</a>	Elbow for suction hose CleanJet	1
27	<a href="#">10.01.510P</a>	Hose clamp ø26.8	1
28	<a href="#">56.00.744S</a>	Pressure hose ø10mm 130mm	1
29	<a href="#">2066.0202P</a>	Hose clamp 12-22 mm	1

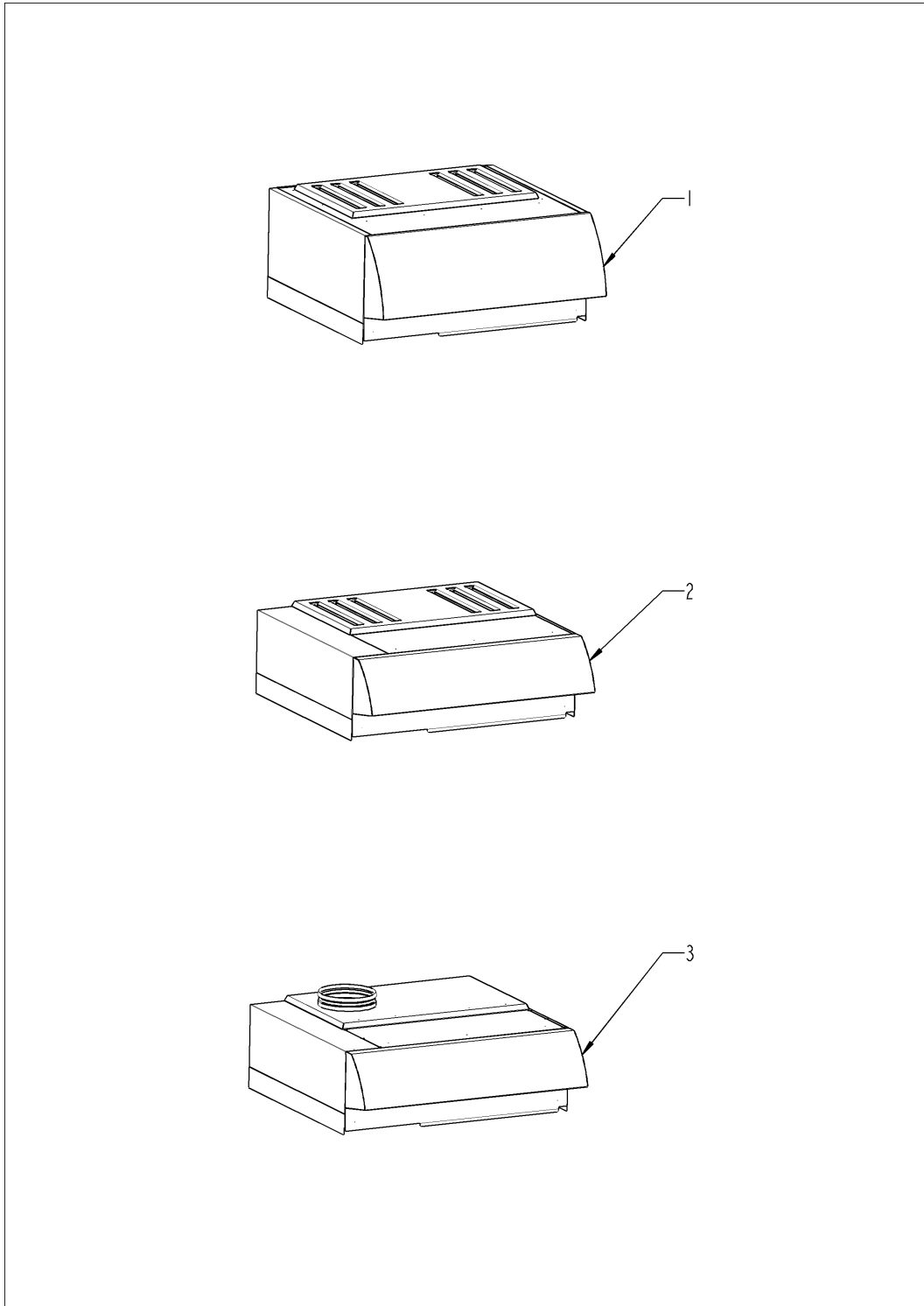
## Pos. 13 Standard accessory



## Pos. 13 Standard accessory

Pos.	Part no.	Description	Qty.
1	<a href="#">60.73.955P</a>	Positioning support f. core sensor	1
2	<a href="#">60.74.331</a>	Hinging rack type XS 6-2/3	1
4	60.74.037	Condensation breaker	1
5		Extractor hood	1
6		CombiDuo	1
8		VarioSmoker	1
9		Stands	1
13	<a href="#">87.01.757</a>	Memory-Stick USB *iCombi Pro & iCombi Classic*	1

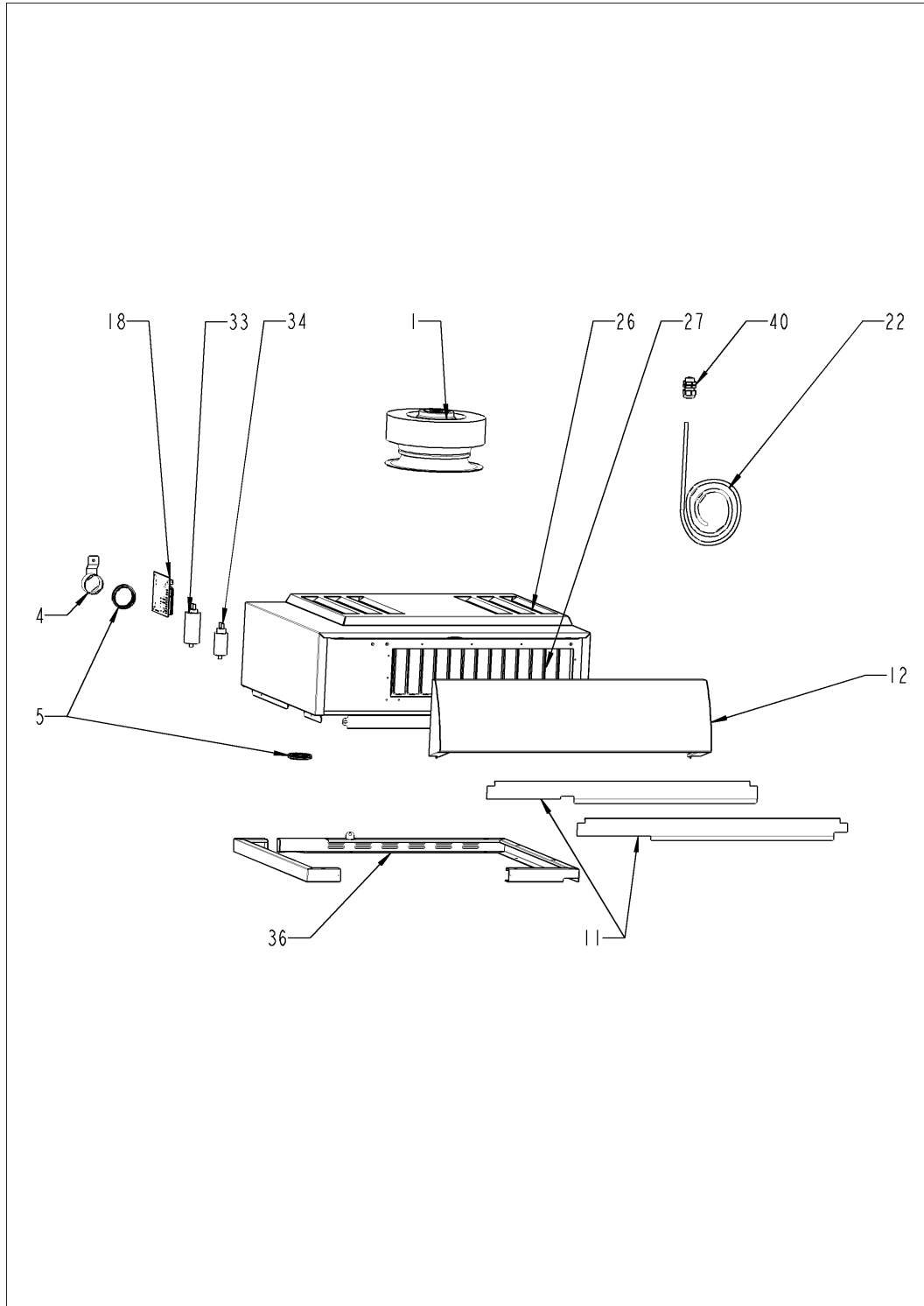
## Pos. 5 Extractor hood



## Pos. 5 Extractor hood

Pos.	Part no.	Description	Qty.
1		UltraVent Plus	1
2		UltraVent	1

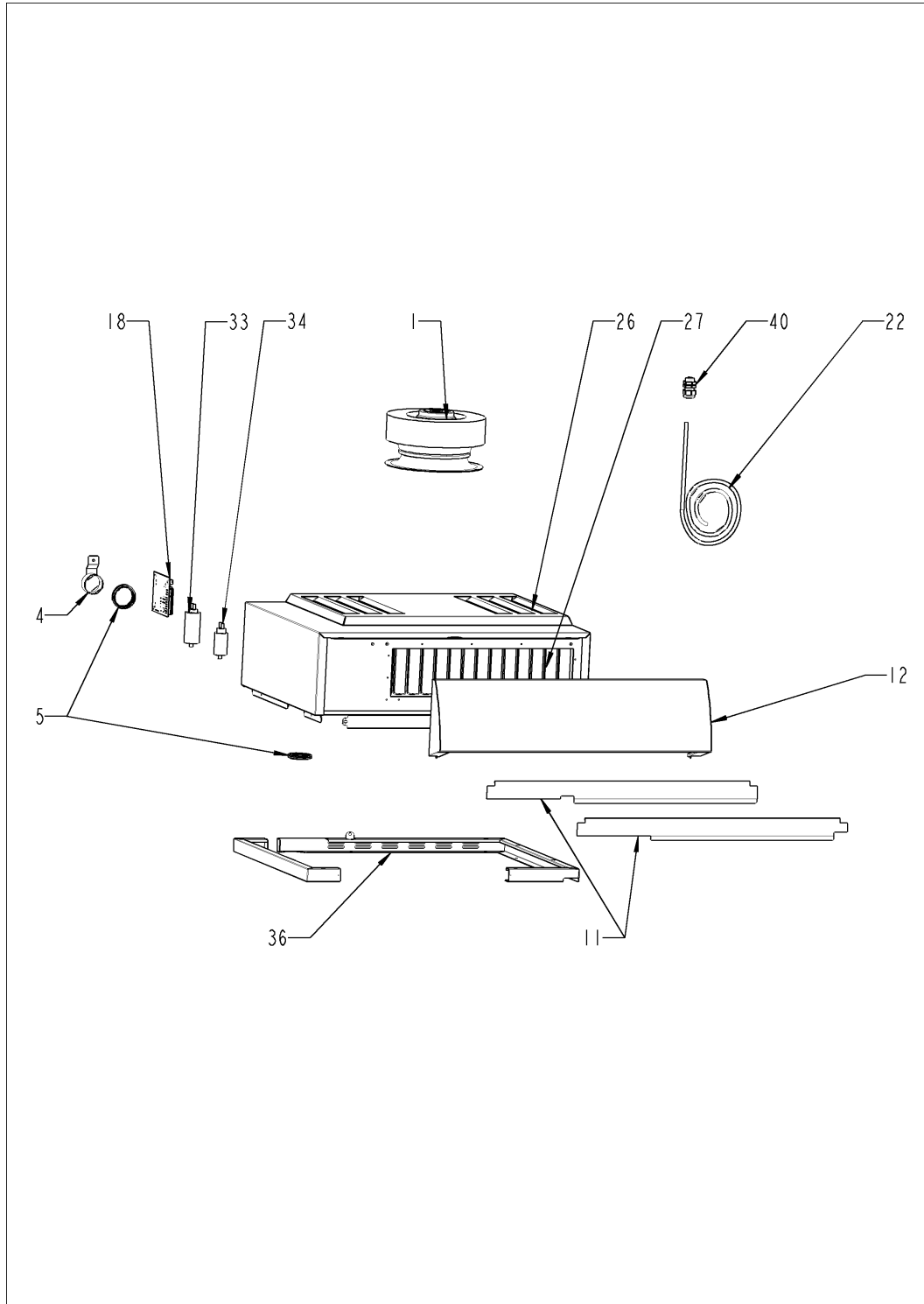
## Pos. 1 UltraVent Plus



## Pos. 1 UltraVent Plus

Pos.	Part no.	Description	Qty.
1	<a href="#">60.72.439P</a>	Blower motor for UltraVent 230V	1
1	<a href="#">60.72.701P</a>	Blower motor for UltraVent 115V	1
4	<a href="#">60.75.267S</a>	Closure plug	1
5	<a href="#">60.73.956P</a>	Gasket for venting pipe UltraVent	1
11	<a href="#">60.73.958P</a>	Front panel UltraVent *left hinged*	1
12	<a href="#">60.74.464P</a>	Front panel UltraVent XS Plus 623	1
18	<a href="#">42.00.274P</a>	PCB f. UltraVent *USA*	1
22	<a href="#">40.03.998P</a>	Bus cable 1.15m	1
23	<a href="#">40.05.963P</a>	Contactora B&J K3-10NA00-22 190 R T	1
26	<a href="#">60.74.403P</a>	Main filter for UltraVent® Plus	1
27	<a href="#">60.74.409P</a>	Preliminary filter for UltraVent® Plus	1
33	<a href="#">40.04.152P</a>	Capacitor 10µF	1
33	<a href="#">40.05.413P</a>	Capacitor 8µF	1
34	<a href="#">40.04.151P</a>	Capacitor 3,5µF	1
35	<a href="#">3017.1014P</a>	Differential pressure switch	1
36	<a href="#">60.74.459P</a>	Mounting frame	1
37	<a href="#">40.05.972P</a>	LED yellow 230V AC/DC UltraVent Plus	1
38	<a href="#">3019.0117P</a>	Fuse 5x20mm	1
39	<a href="#">3019.0117P</a>	Fuse 5x20mm	1
40	<a href="#">40.00.320S</a>	Cable gland M20x1.5	1

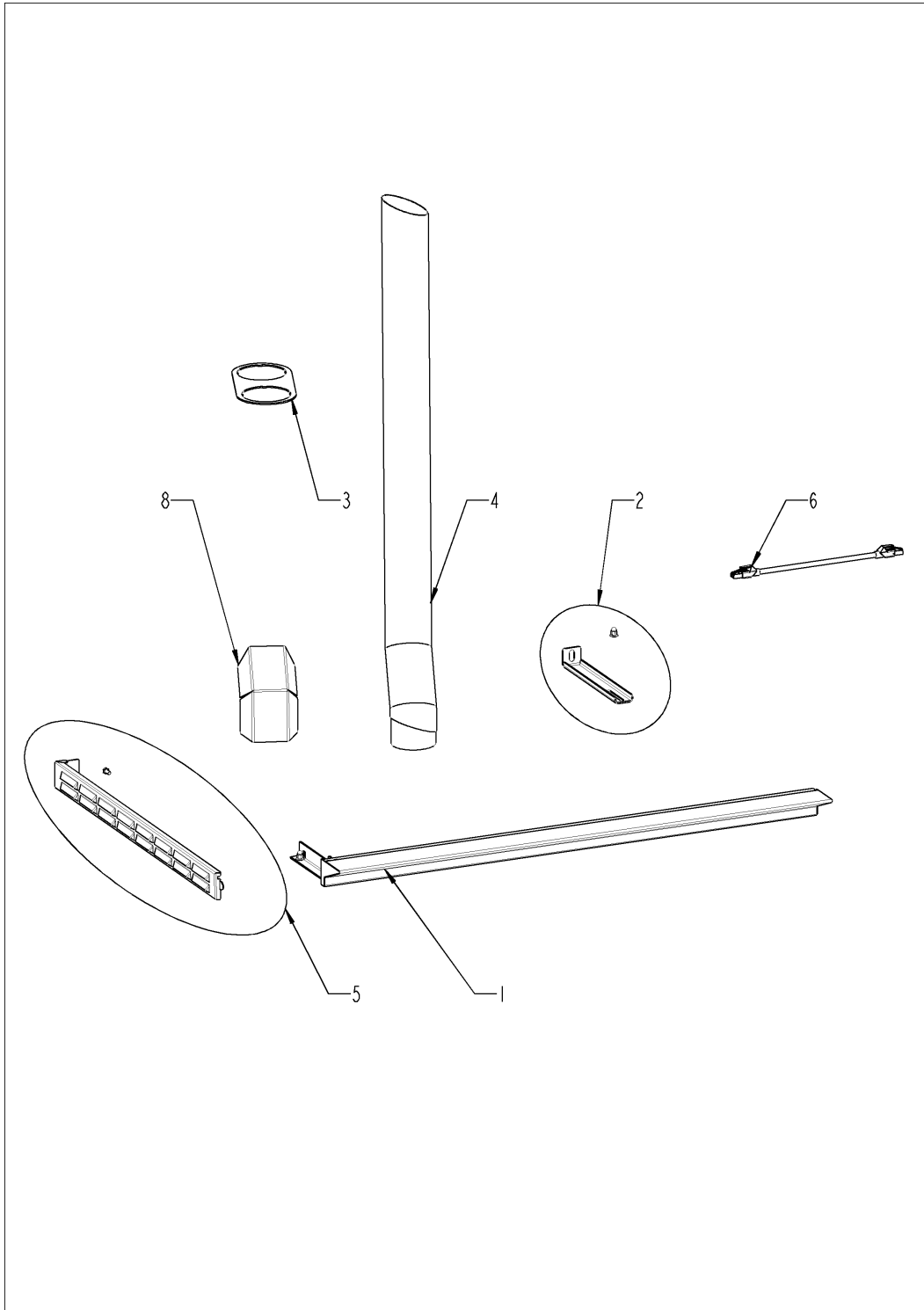
## Pos. 2 UltraVent



## Pos. 2 UltraVent

Pos.	Part no.	Description	Qty.
1	<a href="#">60.72.439P</a>	Blower motor for Ultravent 230V	1
1	<a href="#">60.72.701P</a>	Blower motor for Ultravent 115V	1
4	<a href="#">60.75.267S</a>	Closure plug	1
5	<a href="#">60.73.956P</a>	Gasket for venting pipe UltraVent	1
11	<a href="#">60.73.958P</a>	Front panel UltraVent *left hinged*	1
12	<a href="#">60.73.960P</a>	Front hood	1
22	<a href="#">40.03.998P</a>	Bus cable 1.15m	1
23	<a href="#">40.05.963P</a>	Contacteur B&J K3-10NA00-22 190 R T	1
33	<a href="#">40.04.152P</a>	Capacitor 10 $\mu$ F	1
33	<a href="#">40.05.413P</a>	Capacitor 8 $\mu$ F	1
34	<a href="#">40.04.151P</a>	Capacitor 3,5 $\mu$ F	1
36	<a href="#">60.74.459P</a>	Mounting frame	1
38	<a href="#">3019.0117P</a>	Fuse 5x20mm	1
39	<a href="#">3019.0117P</a>	Fuse 5x20mm	1
40	<a href="#">40.00.320S</a>	Cable gland M20x1.5	1

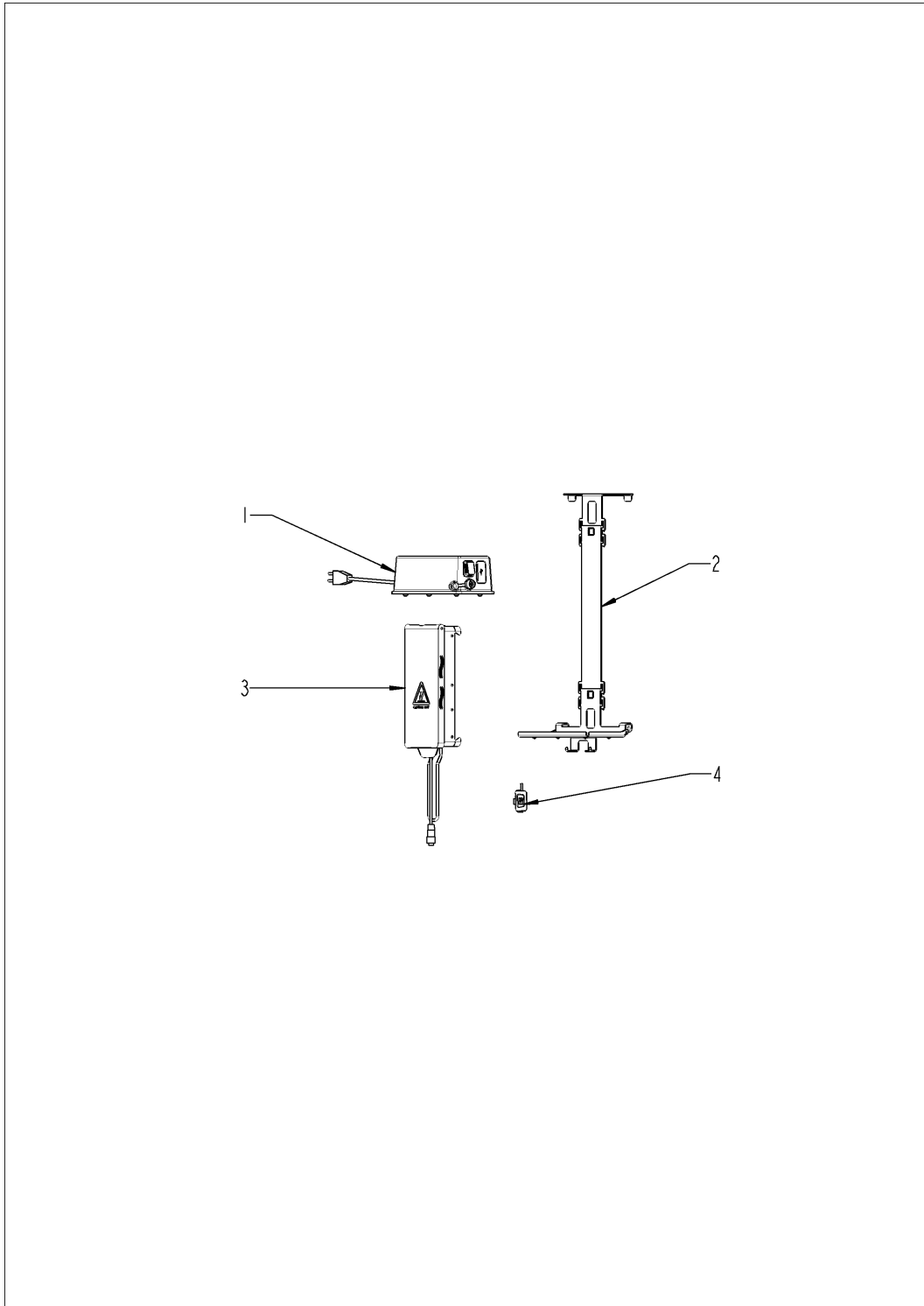
## Pos. 6 CombiDuo



## Pos. 6 CombiDuo

Pos.	Part no.	Description	Qty.
3	<a href="#">60.73.822P</a>	Bracket for venting pipe, CombiDuo	1
4	<a href="#">60.73.823P</a>	Ventilation pipe *Combi-Duo*	1
5	<a href="#">60.73.772S</a>	Sidebar left	1
6	<a href="#">40.05.839P</a>	Bus cable RJ45 2.85m	2
8	<a href="#">60.75.409P</a>	Heat Shield	1

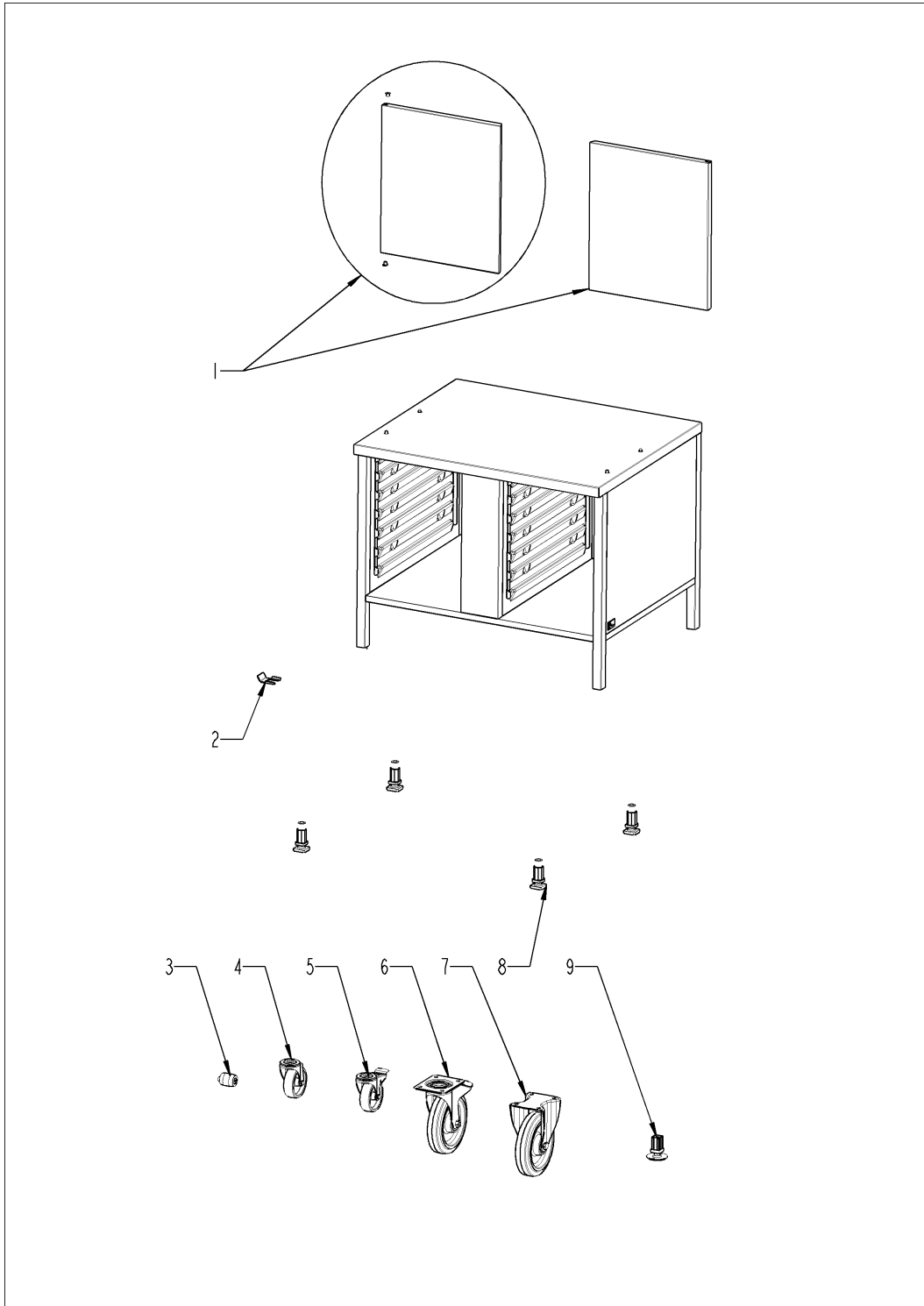
## Pos. 8 VarioSmoker



## Pos. 8 VarioSmoker

Pos.	Part no.	Description	Qty.
1	<a href="#">60.75.368P</a>	Power supply for VarioSmoker *US*	1
1	<a href="#">60.75.372P</a>	Power supply for VarioSmoker *EU*	1
1	<a href="#">60.75.374P</a>	Power supply for VarioSmoker *UK*	1
1	<a href="#">60.75.376P</a>	Power supply for VarioSmoker *AU, NZ*	1
1	<a href="#">60.75.378P</a>	Power supply for VarioSmoker *CH*	1
1	<a href="#">60.75.386P</a>	Power supply for VarioSmoker *BRA*	1
1	<a href="#">60.77.643P</a>	Power supply for VarioSmoker *ARG*	1
2	<a href="#">60.76.115S</a>	Mounting device kit for VarioSmoker	1
3	<a href="#">60.76.691P</a>	Smoking box for VarioSmoker	1
4	<a href="#">40.06.837P</a>	Interface cable USB VarioSmoker	1

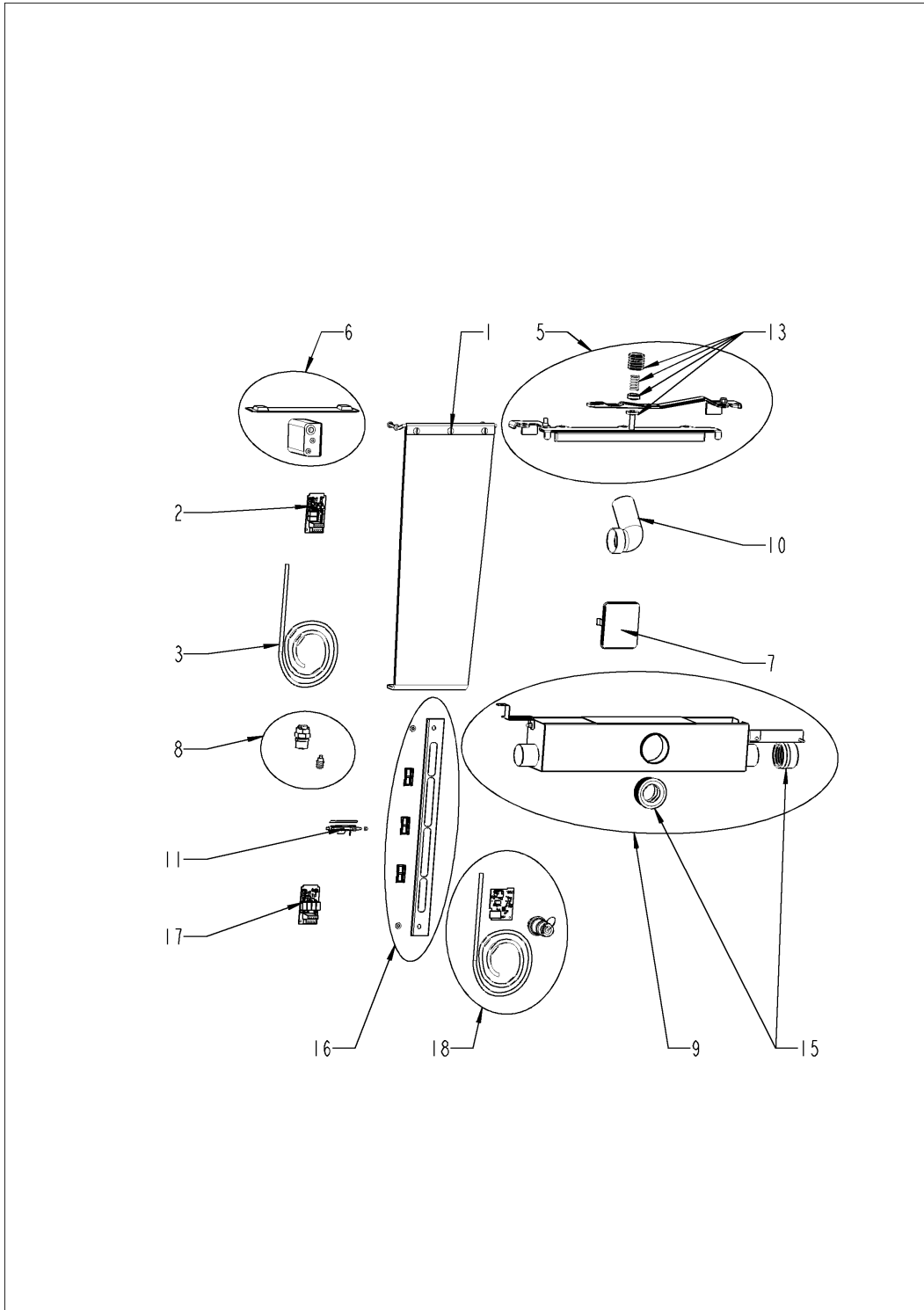
## Pos. 9 Stands



## Pos. 9 Stands

Pos.	Part no.	Description	Qty.
2	<a href="#">60.31.648P</a>	Castor brake	1
4	<a href="#">60.75.365P</a>	Castor, 100mm without brake	1
5	<a href="#">60.75.366P</a>	Castor, 100mm with brake	1
8	<a href="#">60.30.139P</a>	Foot adjustable,35x35	1
9	<a href="#">60.30.195P</a>	Foot adjustable,35x35 with flange for UG	1

## Pos. 20 Repair and retrofit kit



## Pos. 20 Repair and retrofit kit

Pos.	Part no.	Description	Qty.
2	<a href="#">87.01.788S</a>	Retrofit kit Energy_opt.	1
6	60.76.876	Extension set for USB core temperature probe	1
7	<a href="#">87.01.899S</a>	Conversion kit iCP XS w/o hand shower	1
8	60.77.082	Second water connection for filling the hand shower.	1
10	<a href="#">87.01.897</a>	Retrofit kit waste water piping DN90	1
16	<a href="#">40.07.586S</a>	LED optics HD	1