

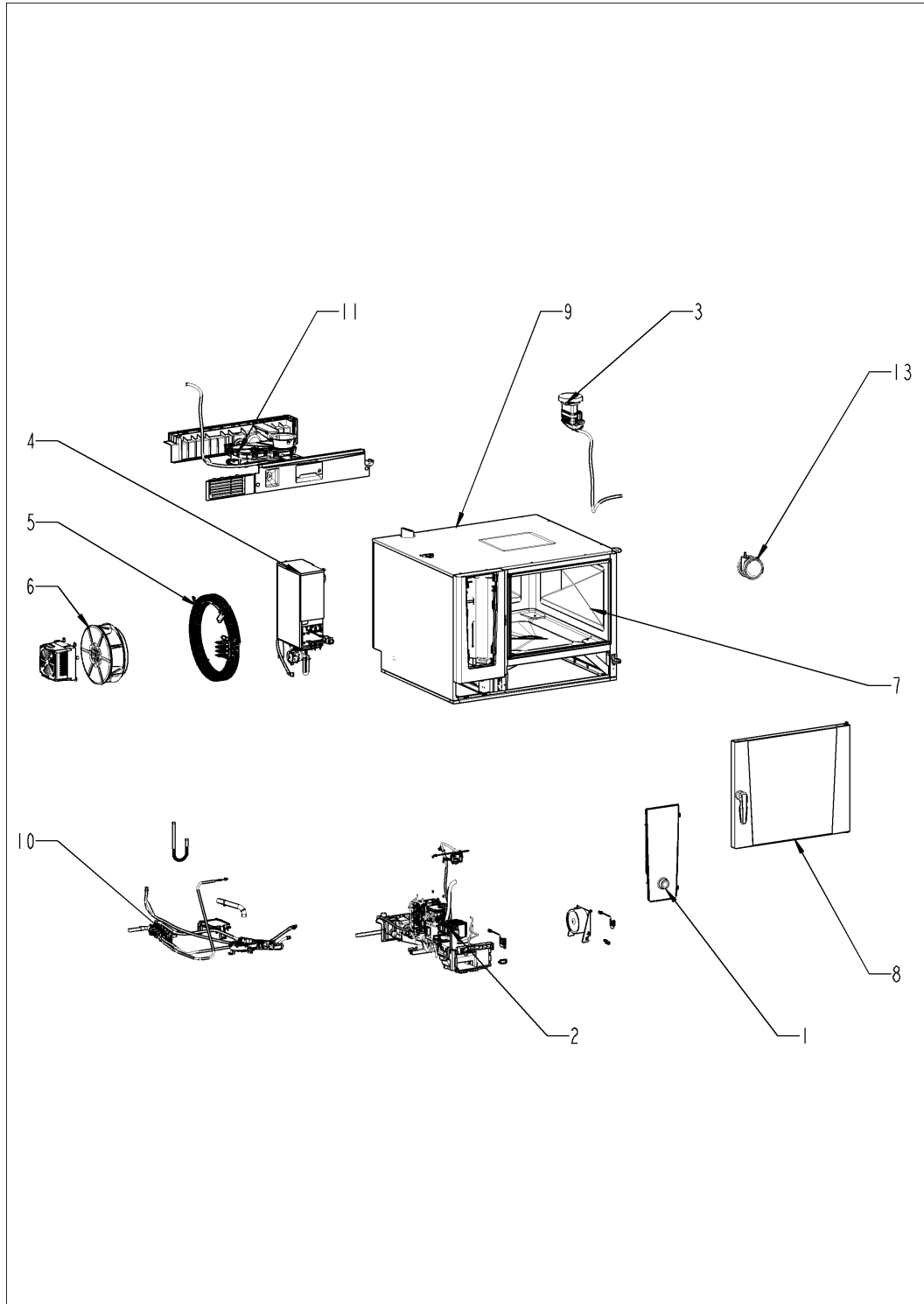
Service part catalogue

iCombi® as of 03/2020 62 - 6 x 2/1 Gastronorm

E62SJ24103177261



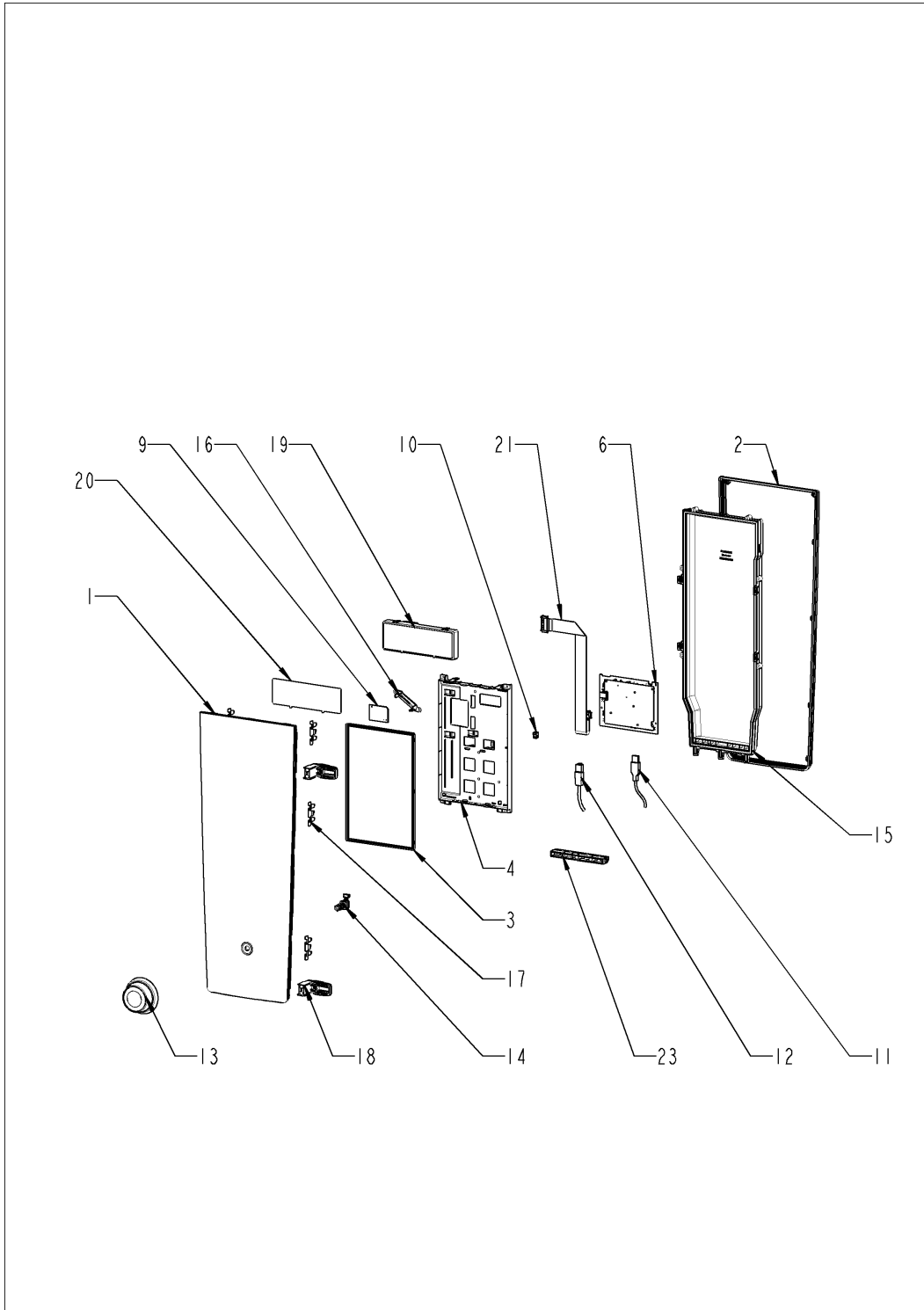
Overview



Overview

Pos. 1 Control panel	4
Pos. 2 Electrical installation	6
Pos. 3 ClimaPlus	13
Pos. 4 Steam generator	15
Pos. 5 Hot air heating	17
Pos. 6 Motor and fan wheel	19
Pos. 7 Interior cabinet	21
Pos. 8 Door	23
Pos. 9 Exterior cabinet	27
Pos. 10 Water	31
Pos. 11 CleanJet + Care	33
Pos. 13 Standard accessory	39
Pos. 20 Repair and retrofit kit	60

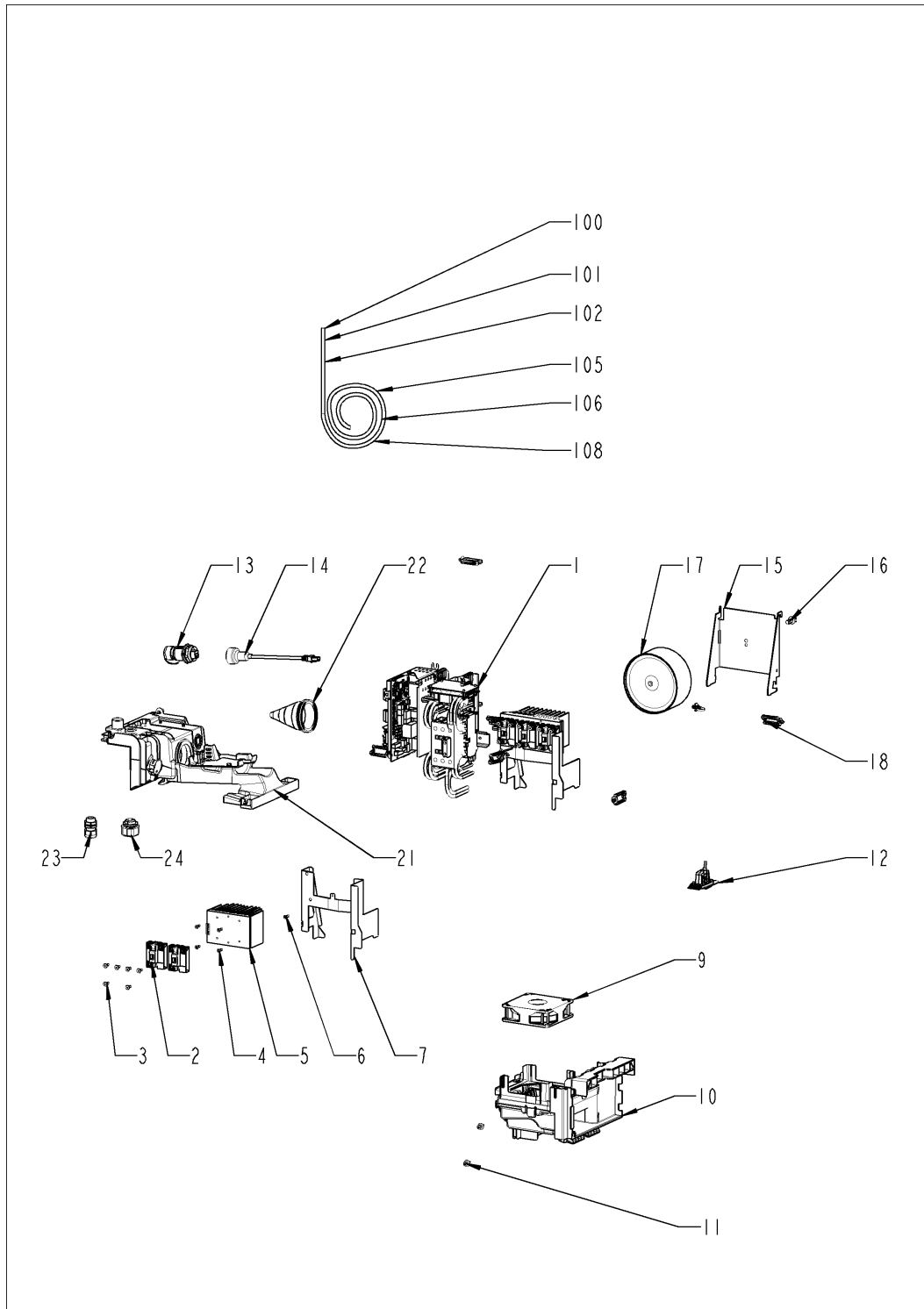
Pos. 1 Control panel



Pos. 1 Control panel

Pos.	Part no.	Description	Qty.
1	87.01.535S	Control panel insert with touch/TFT *RAT*	1
2	16.03.342P	Sealing f. panel insert	1
3	42.00.357P	Display *TFT*	1
4	16.03.747P	Fixing display / pcb	1
6	42.00.251P	Control pcb (w/o SD-Card)	1
8	42.00.359P	Micro SD card	1
9	42.00.346P	Sensor on / off	1
10	40.06.760P	Cable control pcb - capacitive switch	1
11	40.06.044P	USB socket with cable	1
12	40.06.409P	Interface cable LAN 1.5m	1
13	16.03.756P	Dial f. pulse generator	1
14	40.06.037P	Pulse generator	1
15	16.03.735P	Cover f. control pcb w. gasket	1
16	16.04.204S	On-Off sensor support	1
17	16.03.748P	Metal cramp f. panel insert	6
18	16.03.749P	Hook for parking position	2
21	40.06.569P	Cable CPU - TFT	1
23	16.03.701P	Sealing block LAN	1

Pos. 2 Electrical installation



Pos. 2 Electrical installation

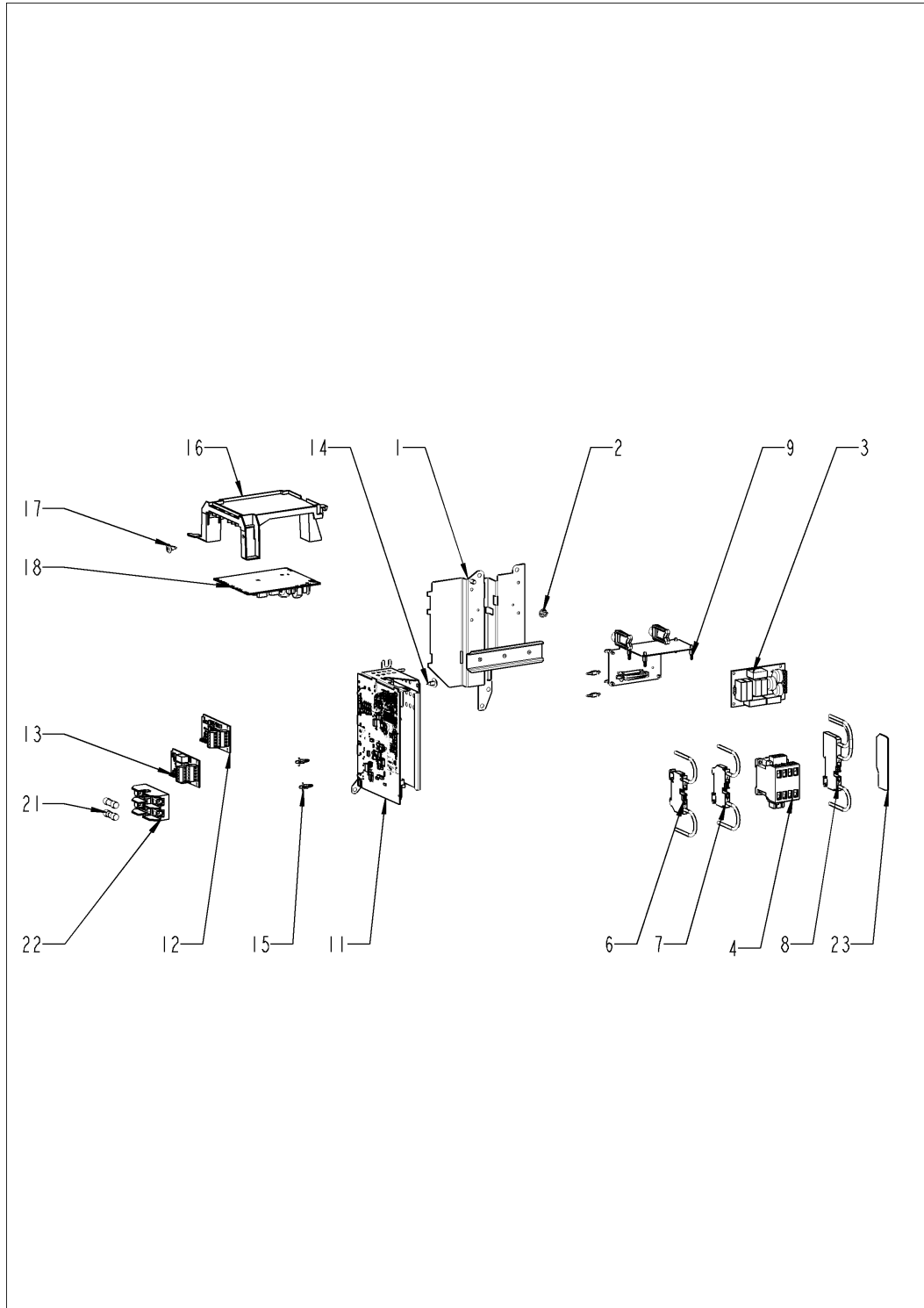
Pos.	Part no.	Description	Qty.
1		Electrical installation	1
2	40.00.453P	Solid state relais	3
3	10.01.266P	Pan head screw Torx T20 10,5mm	5
4	10.01.776P	Pan head screw Torx T20 M4x12	4
5	40.04.211P	Heat sink 3 SSR	1
6	10.01.776P	Pan head screw Torx T20 M4x12	1
7	40.05.861P	Mounting device heat sink SSR	1
9	40.05.993P	Cooling fan	1
10	40.06.565P	Air shaft cpl.	1
11	10.02.008P	Rivet with screw	1
12	40.06.043P	Interface USB	1
13	40.06.327P	Interface LAN IPX6	1
14	40.06.409P	Interface cable LAN 1.5m	1
15	40.05.968P	Mounting support power transformer	1
16	1008.0769P	Ornamental screw M8x30	1
18	40.06.878P	Cable holder	7
21	87.01.620S	Cable entry	1
22	40.00.391S	Cable bushing f. cable entry	1
23	40.00.320S	Cable gland M20x1.5	1
24	40.04.495P	Cable connection M25 ø5mm *divisible*	1
29	40.06.252P	Termination resistor, Micro-fit connector	1
100	40.06.146P	Cable control harness	1
101	40.06.625P	Pump harness	1
102	40.06.624P	Cable harness base	1
110	40.07.162P	Cable link SSR Module UL	1
113	40.06.854P	Cable A10-1xAxx	1
114	40.05.895P	Bus cable 1.16m	1
115	40.05.858P	Bus cable 1.08m	1
116	40.05.858P	Bus cable 1.08m	1
126	40.07.451P	Cable hot air probe - eSTB	1

**iCombi® as of 03/2020 62 - 6 x 2/1 Gastronorm
E62SJ24103177261**



Pos.	Part no.	Description	Qty.
127	40.07.453P	Cable, steam probe - eSTB	1
131	40.07.761P	Cable, pump chemical storage	1
132	40.07.609P	Cable, A13 - chemical distributor	1

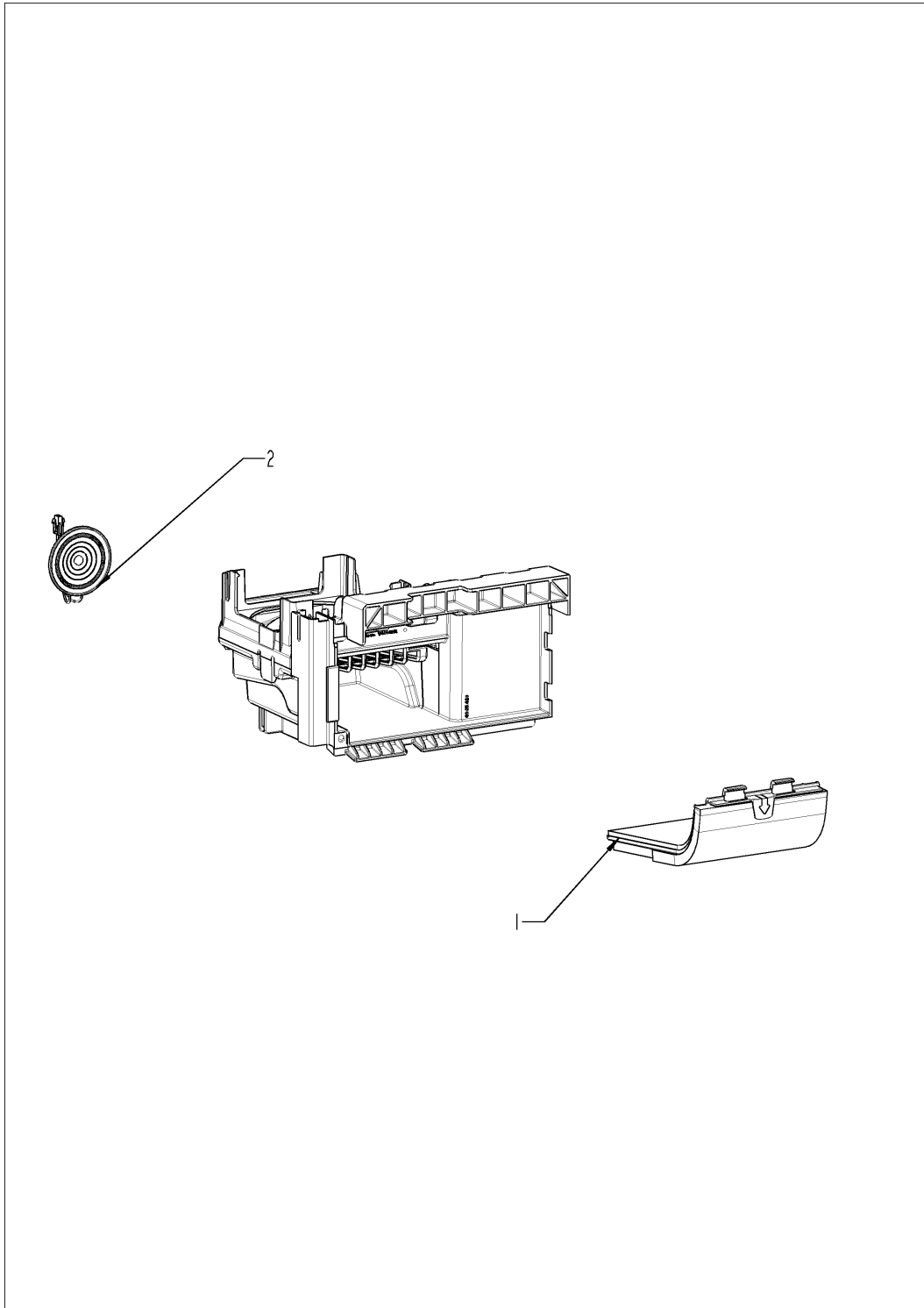
Pos. 1 Electrical installation



Pos. 1 Electrical installation

Pos.	Part no.	Description	Qty.
1	40.06.384P	Electrical mounting plate	1
2	10.00.709P	Hex nut M6 w. locking	1
3	42.00.336P	Power supply	1
4	40.06.455P	Contactor K3-40B00 190R T AZ	1
6	40.05.274P	Earth terminal WKFN 16 SL/35	1
9	40.03.756P	Fixing clip f. pcb	1
11	40.05.919P	I/O module	1
14	10.02.008P	Rivet with screw	1
15	40.03.756P	Fixing clip f. pcb	1
16	40.04.953P	Mounting support for pump pcb	1
17	10.02.008P	Rivet with screw	1
18	40.07.551P	Pump pcb (chemistry controller)	1
28	40.06.767P	Fuse 4A *Typ 5HT 4-R*	1
30	42.00.366P	IO module extension, SSR UL	1

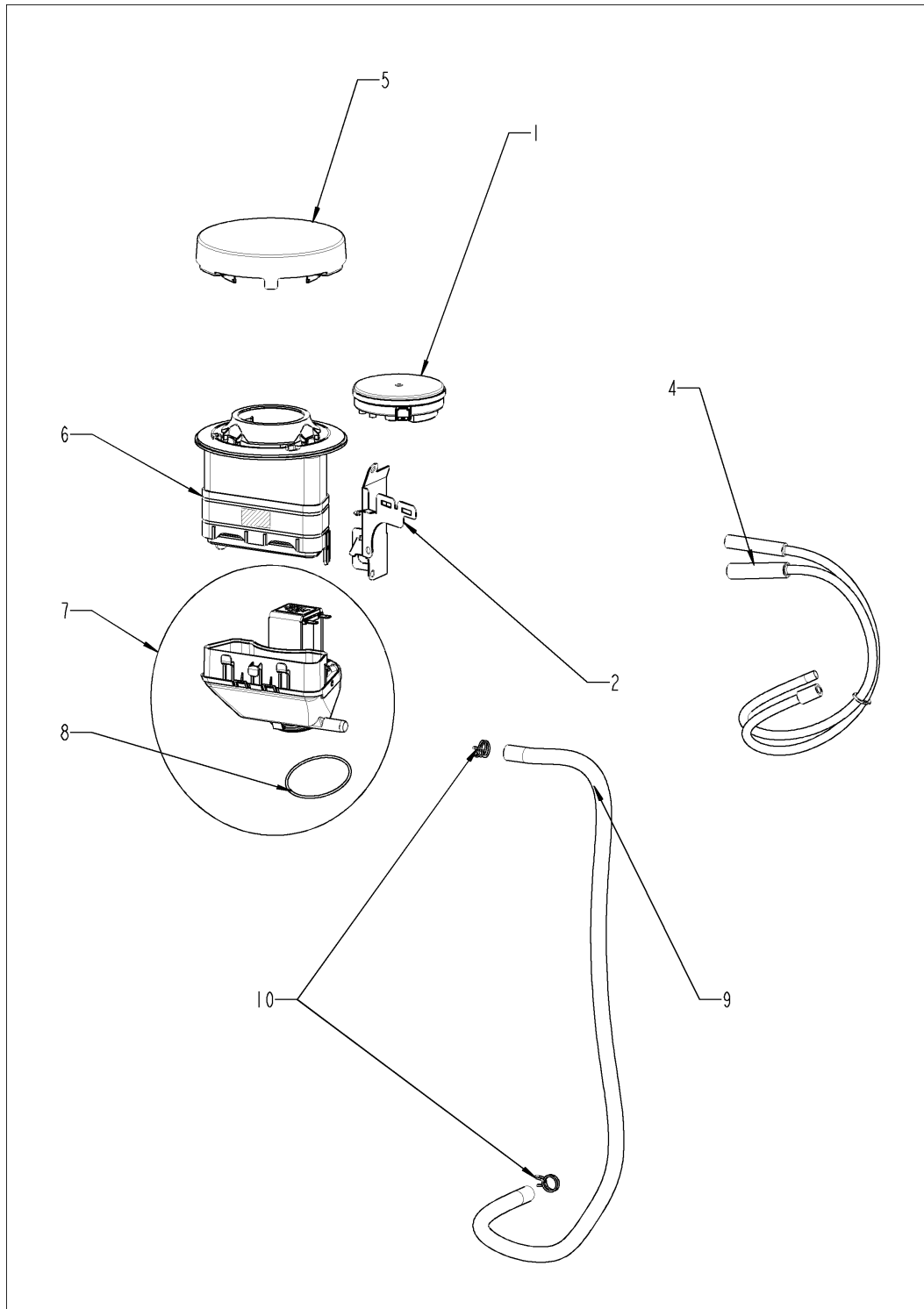
Pos. 10 Air shaft cpl.



Pos. 10 Air shaft cpl.

Pos.	Part no.	Description	Qty.
1	40.05.424P	Air inlet filter cpl.	1
2	40.07.257P	Loudspeaker K 64 WP FR	1

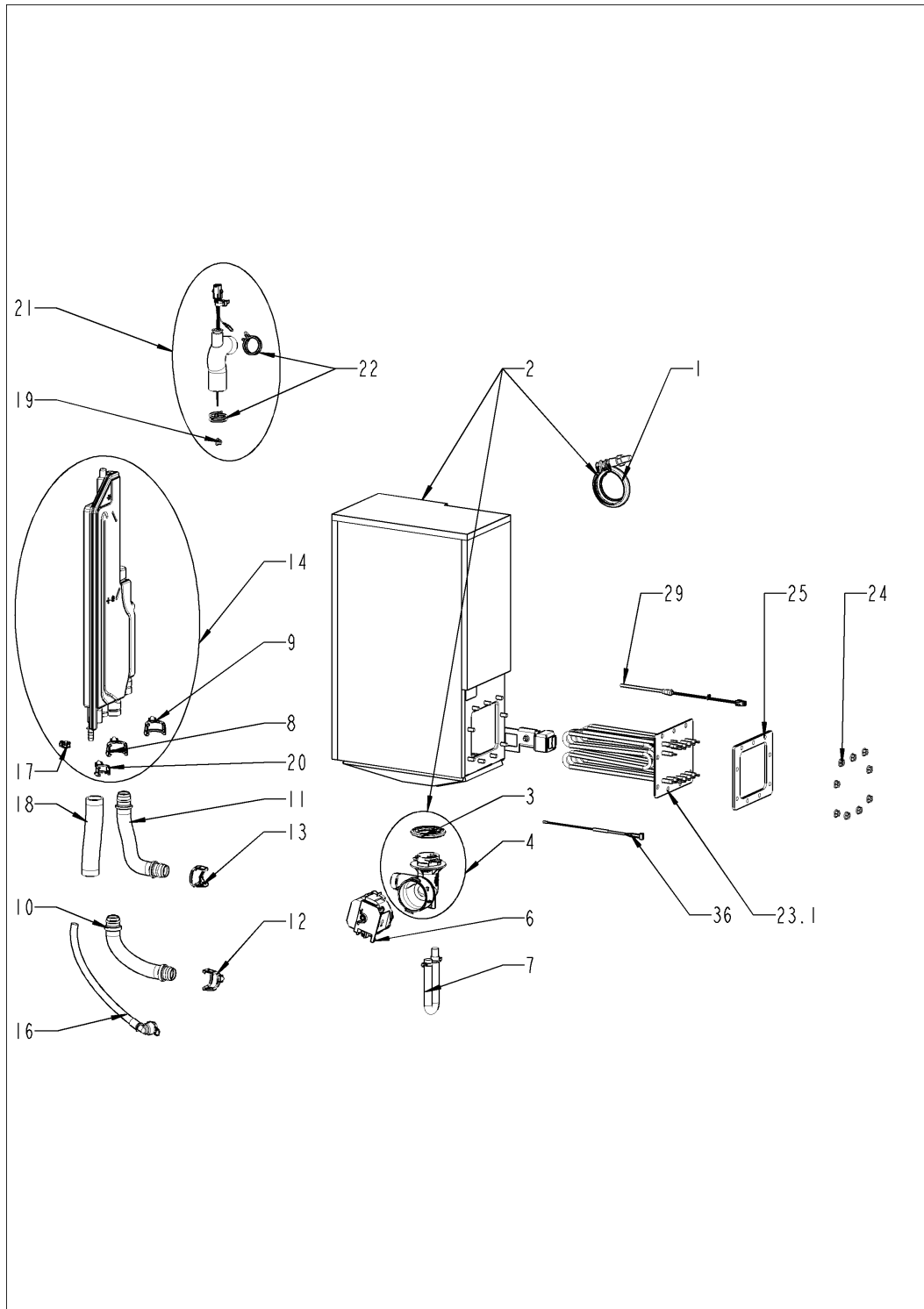
Pos. 3 ClimaPlus



Pos. 3 ClimaPlus

Pos.	Part no.	Description	Qty.
1	40.06.801P	Pressure sensor Huba 5 mbar	1
2	40.05.435P	Mounting device f. pressure sensor	1
4	22.01.521P	Hose set f. humidity control	1
5	22.01.409P	Vent cover	1
6	87.01.553S	Air inlet pipe	1
7	22.01.402P	Humidity control cpl.	1
8	10.01.694P	O-ring for humidity control	2
9	56.02.063P	Drain hose for ventilation flap	1
10	2066.0527P	Hose clamp ø14mm	2

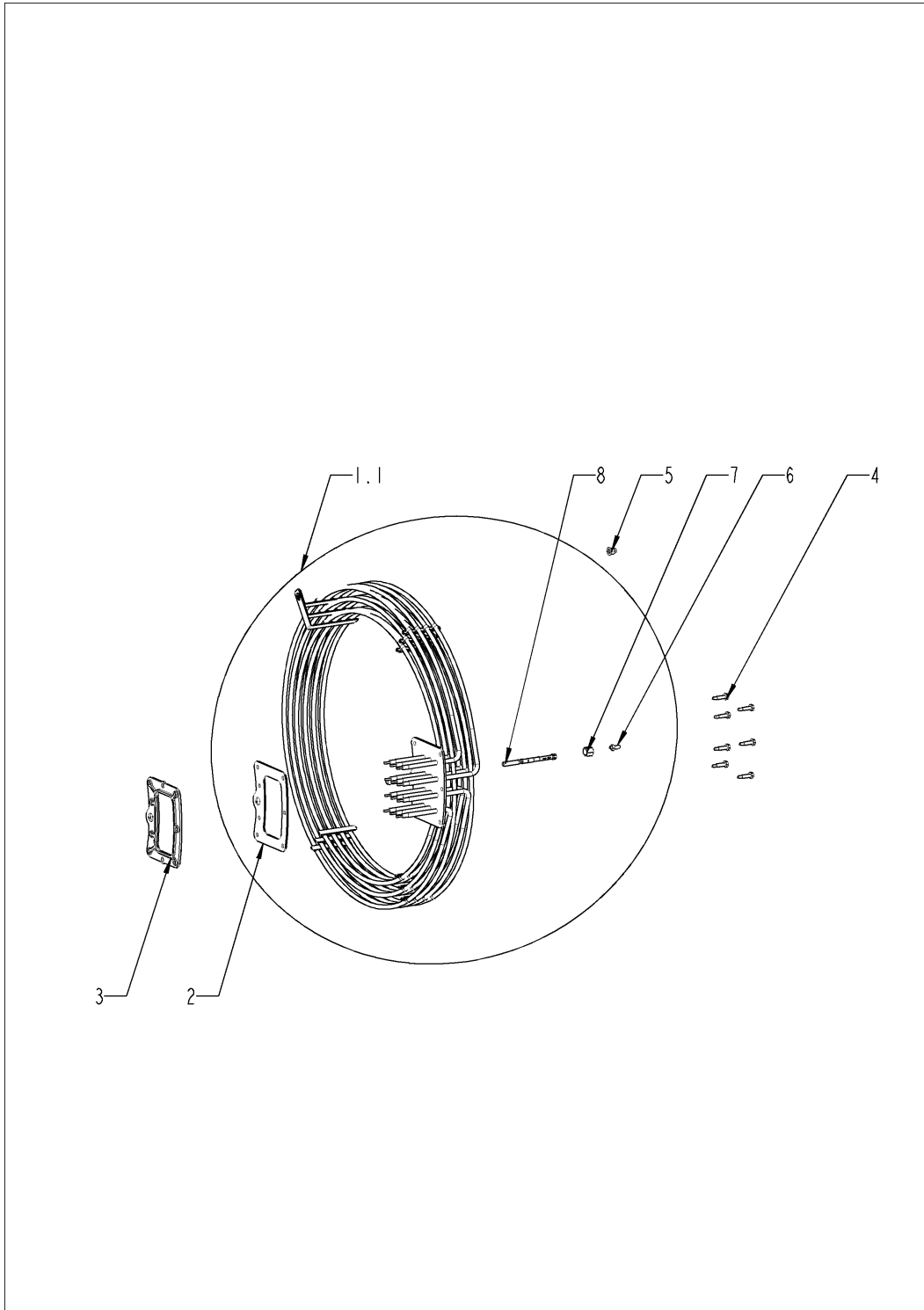
Pos. 4 Steam generator



Pos. 4 Steam generator

Pos.	Part no.	Description	Qty.
1	72.00.492P	V Clamp 50mm right	1
2	87.01.621S	Kit Steam generator insolated	1
3	44.02.200P	Gasket SC pump	1
4	44.02.179S	Pump housing	1
5	56.01.631P	O-ring for pump	1
6	56.01.024P	Emptying pump	1
7	44.02.287P	Emergency drainage hose	1
8	10.01.707P	Locking ring 25mm	1
9	10.01.707P	Locking ring 25mm	1
10	44.02.225S	Supply hose safety armature	1
11	44.02.219S	Drain hose steam generator	1
12	10.01.707P	Locking ring 25mm	1
13	10.01.707P	Locking ring 25mm	1
14	87.01.547S	Safety device / water supply for steam generator	1
16	50.02.115P	Hose, water supply, steam generator	1
17	2066.0205P	Hose clamp 8-16x9 mm SW 7mm	1
18	44.02.229P	Drain hose, safety device	1
19	44.01.505P	Grommet Ø12x8,2	1
21	44.02.493S	Molded hose with level electrode	1
22	2066.0518P	Hose clamp 30mm	2
23.1	44.02.238S	Heating element with gasket	1
24	10.00.709P	Hex nut M6 w. locking	1
25	44.02.503P	Gasket f. heating element	1
29	40.06.133P	Temperature sensor eSTB 100mm *S*	1
36	40.06.225P	Thermocouple steam generator *B5*	1

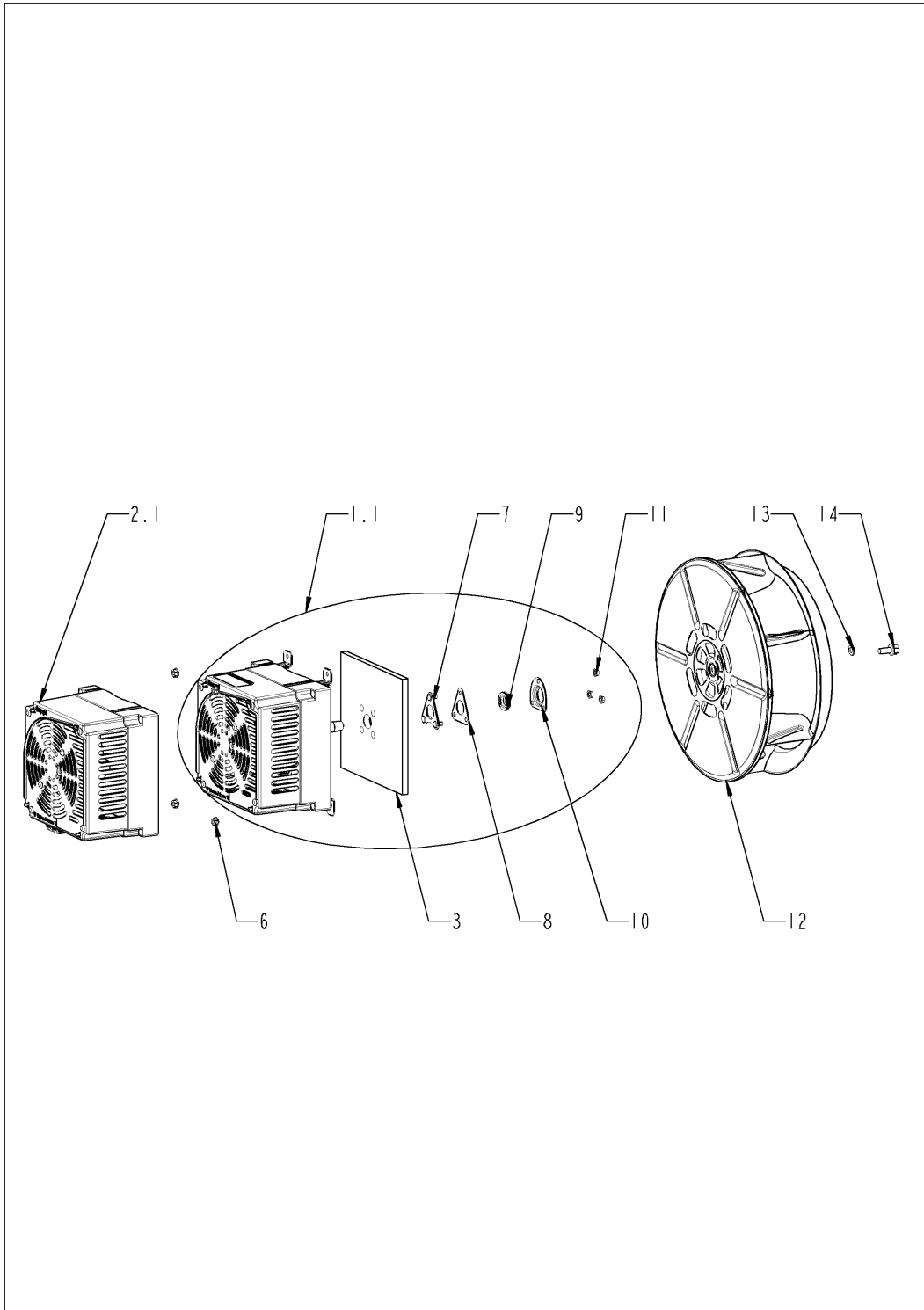
Pos. 5 Hot air heating



Pos. 5 Hot air heating

Pos.	Part no.	Description	Qty.
1.1	87.01.676S	Heating assembly with gasket	1
2	46.00.289P	Gasket f. heating assembly	1
3	46.00.290P	Mating flange f. heating assembly	1
4	10.00.109P	Hex screw M5x23	7
5	10.01.076P	Cap nut M5*A2	1
6	50.02.004P	Nozzle f. moistening	1
7	50.02.005P	Union nut	1
8	50.02.006P	Plastic pipe PEEK	1

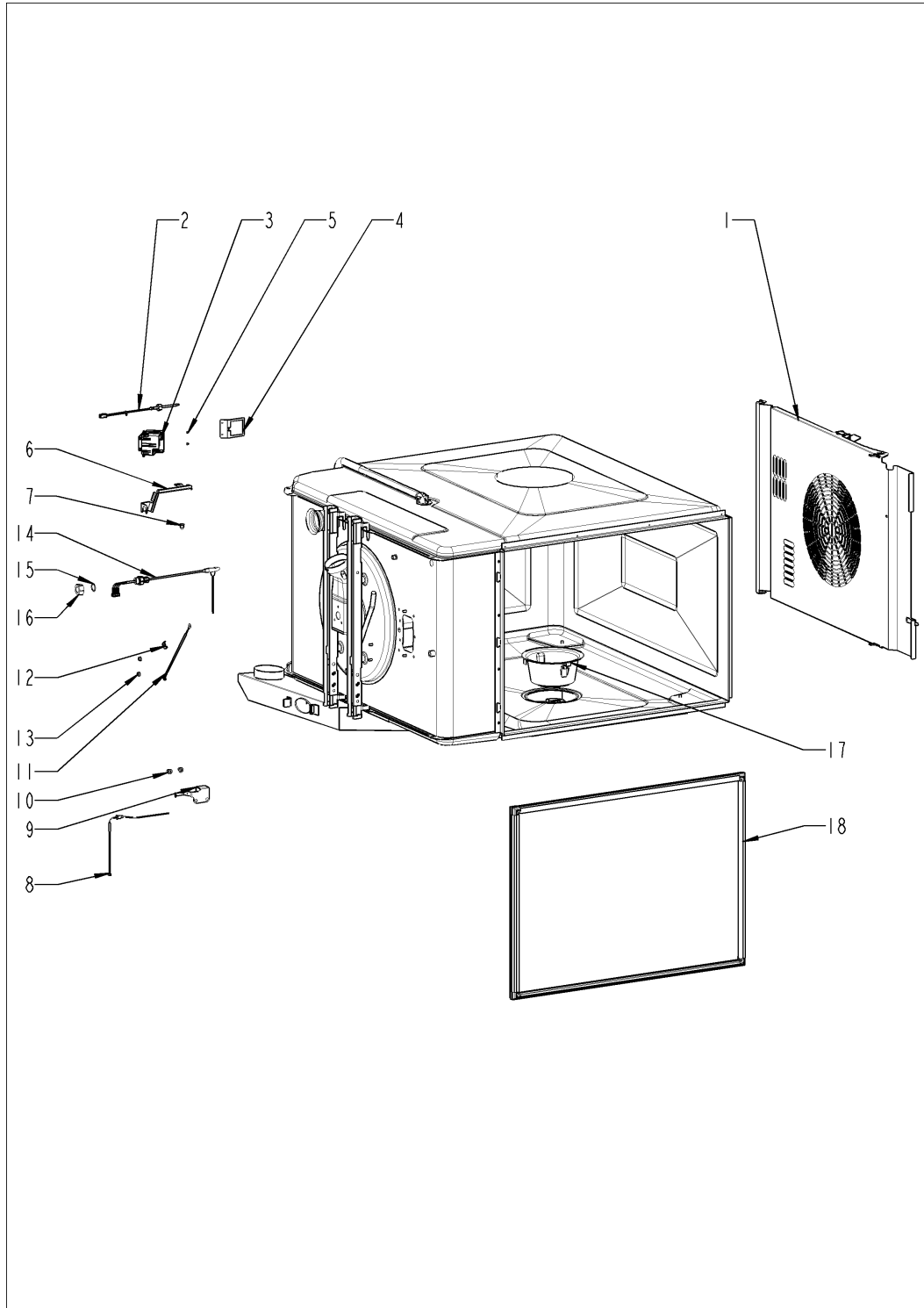
Pos. 6 Motor and fan wheel



Pos. 6 Motor and fan wheel

Pos.	Part no.	Description	Qty.
1.1	87.01.559S	Fan motor	1
2.1	42.00.278P	Motor control for fan motor	1
3	20.02.807P	Isolation for mounting plate for motor	1
6	10.00.709P	Hex nut M6 w. locking	4
7	22.01.423P	Mounting support f. gasket flange	1
8	22.01.425P	Graphit seal for gasket flange	1
9	22.00.985P	Motor shaft gasket D15	1
10	22.01.427P	Flange f. motor shaft gasket	1
11	10.01.065P	Hex nut M5	3
12	22.01.151S	Fan wheel	1
13	1308.0162P	Washer A8,4	1
14	10.00.936P	Hex screw M8x20	1

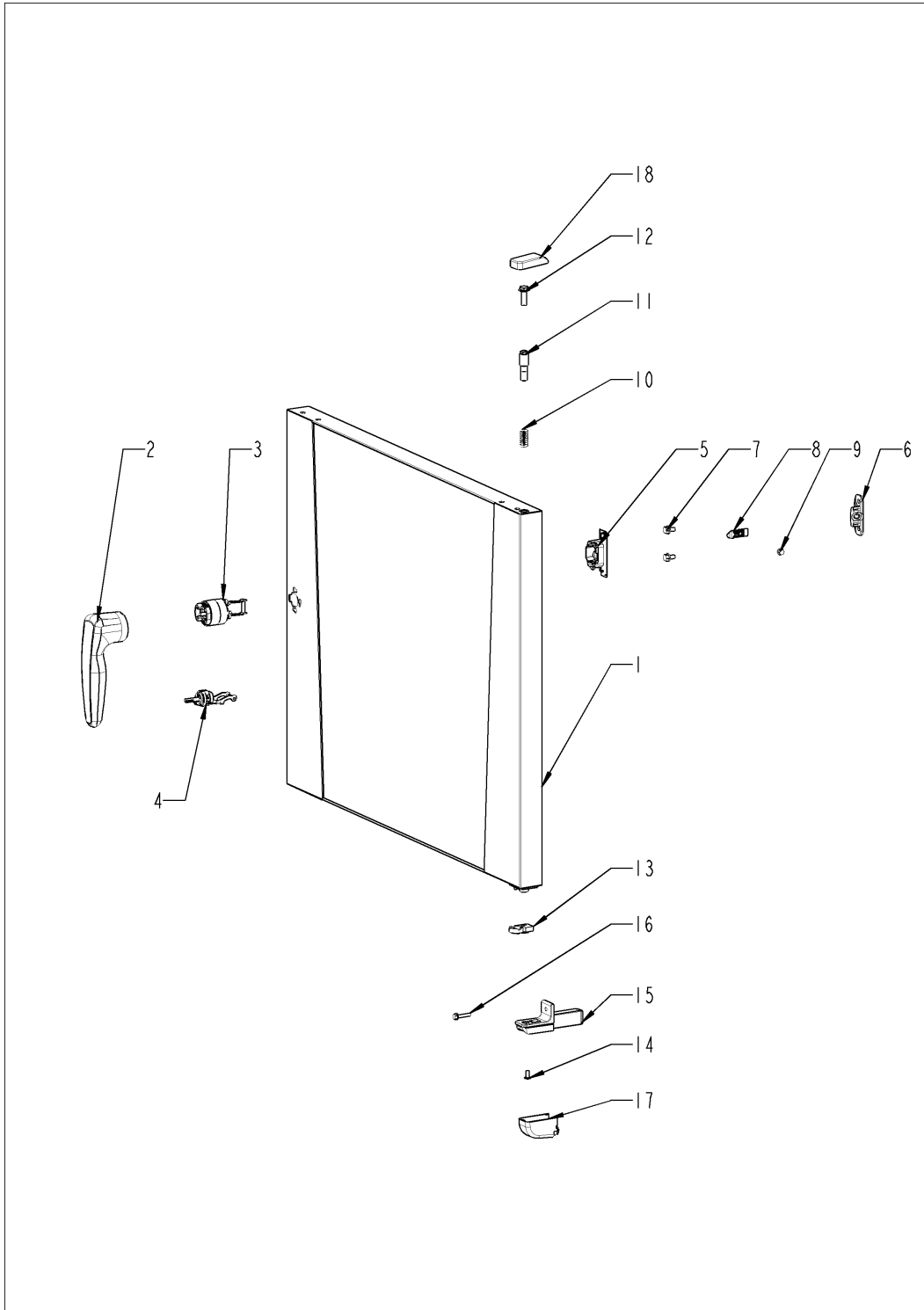
Pos. 7 Interior cabinet



Pos. 7 Interior cabinet

Pos.	Part no.	Description	Qty.
1	22.01.273P	Air baffle	1
2	40.06.112S	Temperature sensor eSTB *HA*	1
3	40.06.682P	Safety temperature limiter	1
4	40.06.053P	Fixing device for safety temperature limiter	1
5	10.00.515P	Rivet 3,2x8 A2/NSF	2
6	40.06.098P	Shielding for core temperature sensor	1
7	10.01.076P	Cap nut M5*A2	1
8	40.05.995P	Thermocouple	1
9	40.05.489P	Shielding for interior cabinet sensor	1
10	10.01.076P	Cap nut M5*A2	2
11	40.06.210S	Thermocouple humidity *B4*	1
12	10.00.087P	Clamp strap f. sensor	1
13	10.01.065P	Hex nut M5	1
14	40.06.215P	Core temperature probe	1
15	1315.0104P	Copper washer 16x20x1,5	1
16	10.01.751P	Hex nut M16 DIN934 A2	1
17	56.01.503P	Outlet sieve	1
18	20.02.551P	Door gasket	1

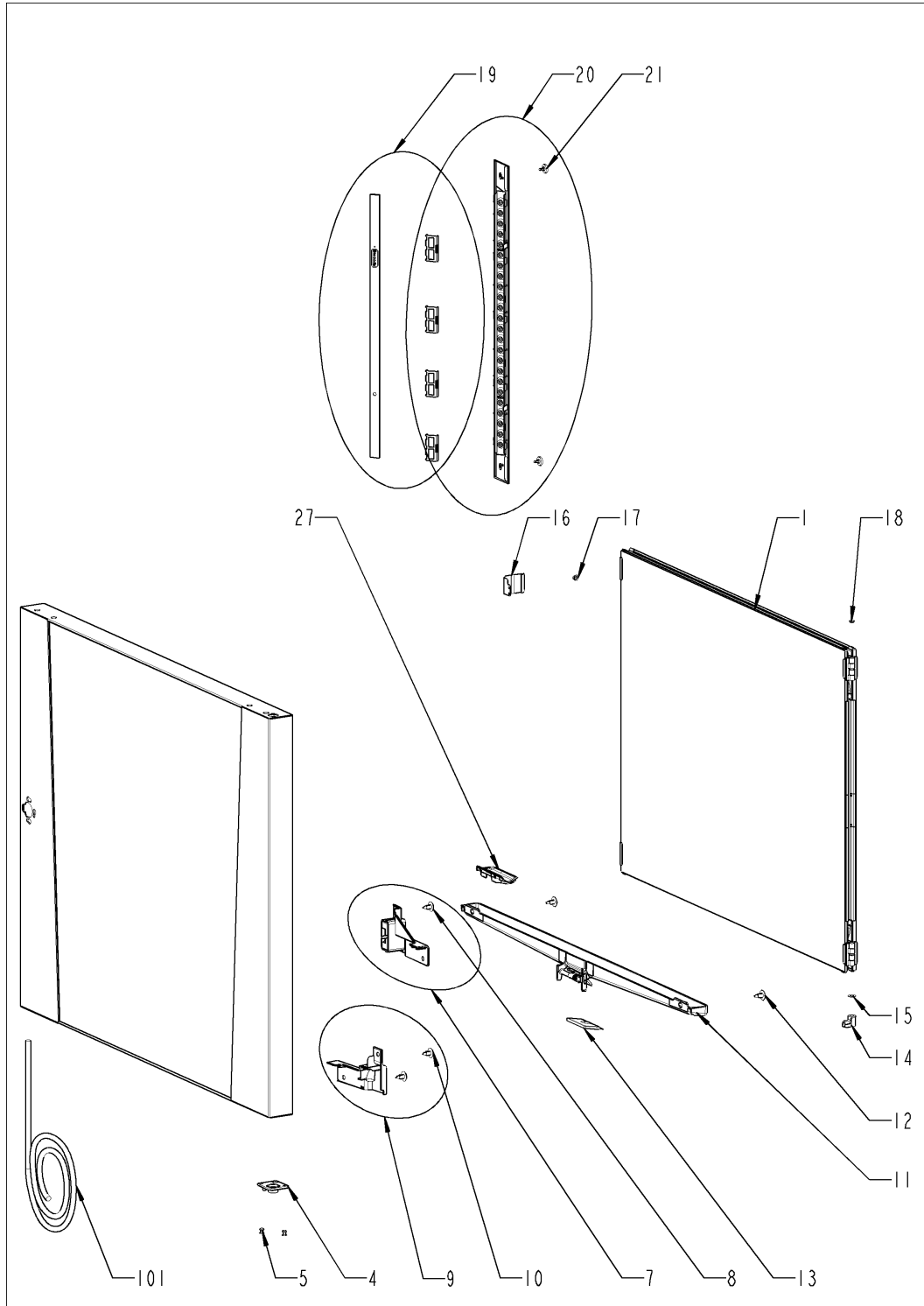
Pos. 8 Door



Pos. 8 Door

Pos.	Part no.	Description	Qty.
1	24.04.096S	Door	1
2	24.04.083P	Door handle RATIONAL	1
3	24.03.041P	Door lock with spring U-bolt	1
4	24.03.288P	Spring U-bolt for door lock	1
5	24.04.211P	Lock cover	1
6	24.02.958P	Holding bracket f. door catch	1
7	10.01.719P	Hex screw M6x12	2
8	24.02.959P	Door catch	1
9	24.02.960P	Interlocking tooth screw M5x6	1
10	2001.0109P	Compression spring	1
11	24.03.040P	Door bolt	1
12	1008.0768P	Ornamental screw M8x16	1
13	14.01.057P	Door bolt	1
14	10.00.099P	Hex screw M8x12	1
15	14.01.056P	Door mounting support bottom	1
16	10.01.755P	Countersunk screw M5x25 A2	1
17	56.01.429P	Cap for door mounting support bottom	1
18	16.04.110P	Cover for door mounting support	1

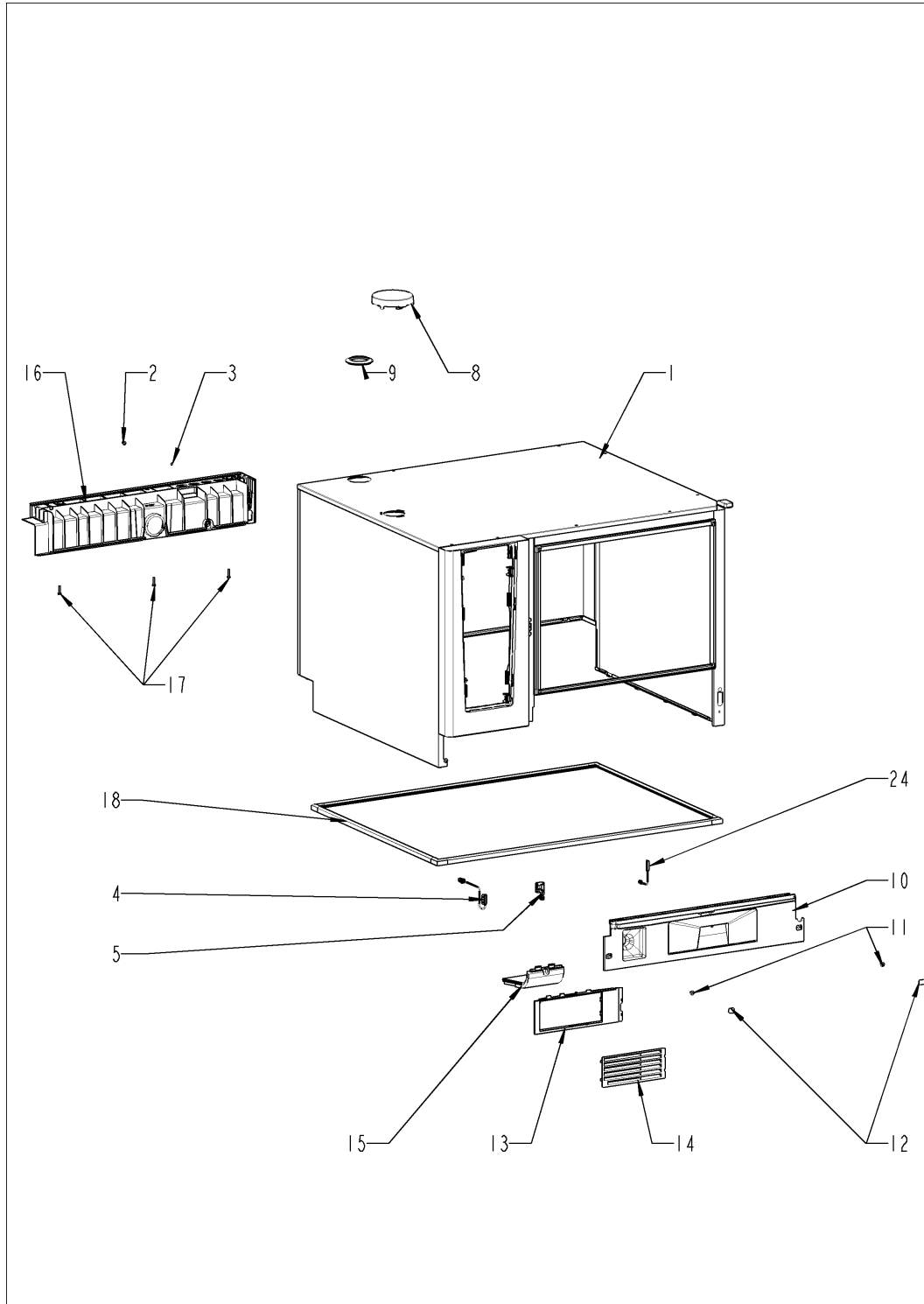
Pos. 1 Door



Pos. 1 Door

Pos.	Part no.	Description	Qty.
1	24.04.896S	Glass pane bundle	1
4	24.04.217P	Door setting bolt	1
5	10.00.904P	Rivet B4x8	2
7	24.04.596S	Cover for door magnet with magnet	1
8	10.02.008P	Rivet with screw	2
9	24.05.303S	Hinge cover	1
10	10.02.008P	Rivet with screw	2
11	24.05.500S	Door drip collector	1
12	10.00.989P	Rivet with screw	2
13	24.05.345P	Drain seal for door drip collector	1
14	24.03.056P	Slide bush for door	1
15	24.03.057P	Abrasion protection for glide socket	1
16	24.03.787S	Fixing bracket kit for interior glass pane	2
17	10.02.416P	Rivet Ø4x8, A2	2
18	24.03.062P	Cover cap for door	1
19	87.01.579S	LED bar	2
20	87.01.580S	LED optics	2
21	24.05.458P	Plastic spreader rivet	4
22	24.03.764P	Spacer for door	1
27	24.05.501P	Slosh protection	1
101	40.06.079P	Cable, interior light W40 *door lighting*	1

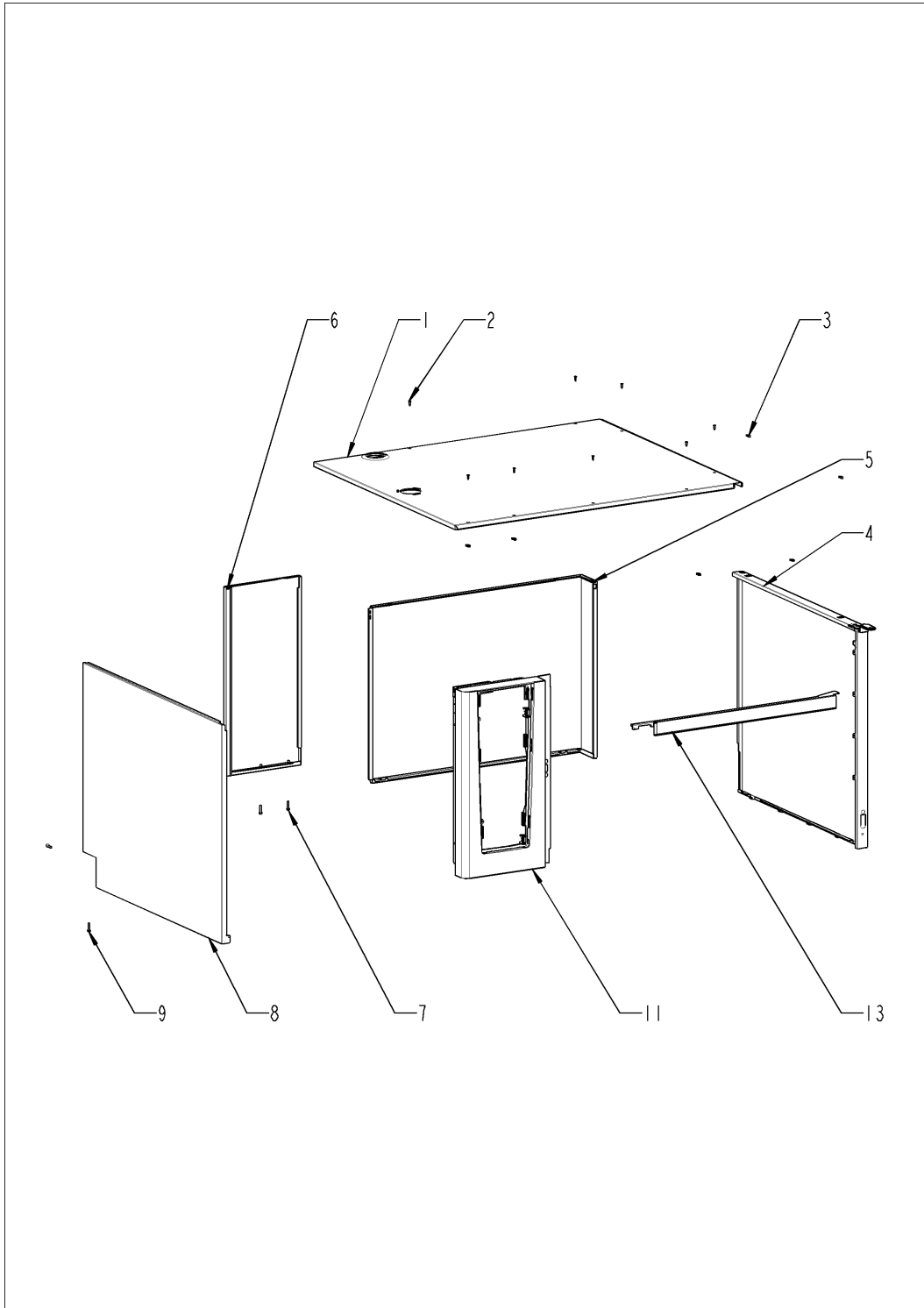
Pos. 9 Exterior cabinet



Pos. 9 Exterior cabinet

Pos.	Part no.	Description	Qty.
1		Exterior cabinet	1
2	10.01.076P	Cap nut M5*A2	1
3	1205.0120P	Tooth lock washer A5,3	1
4	40.08.018P	Door switch	1
5	14.00.937P	Bracket for door contact switch	1
8	22.01.409P	Vent cover	1
9	16.01.434P	Gasket for venting tube d=73mm	1
10	56.02.021P	Base panel right	1
11	10.02.008P	Rivet with screw	4
12	56.01.419P	Plastic cap	2
13	56.01.424P	Base panel left	1
14	56.01.422P	Grid cover	1
15	40.05.424P	Air inlet filter cpl.	1
16	56.02.172P	Waste water cover	1
17	10.01.755P	Countersunk screw M5x25 A2	3
18	12.02.665P	Gasket for base frame	1
24	40.07.762P	Magnetic contact	1

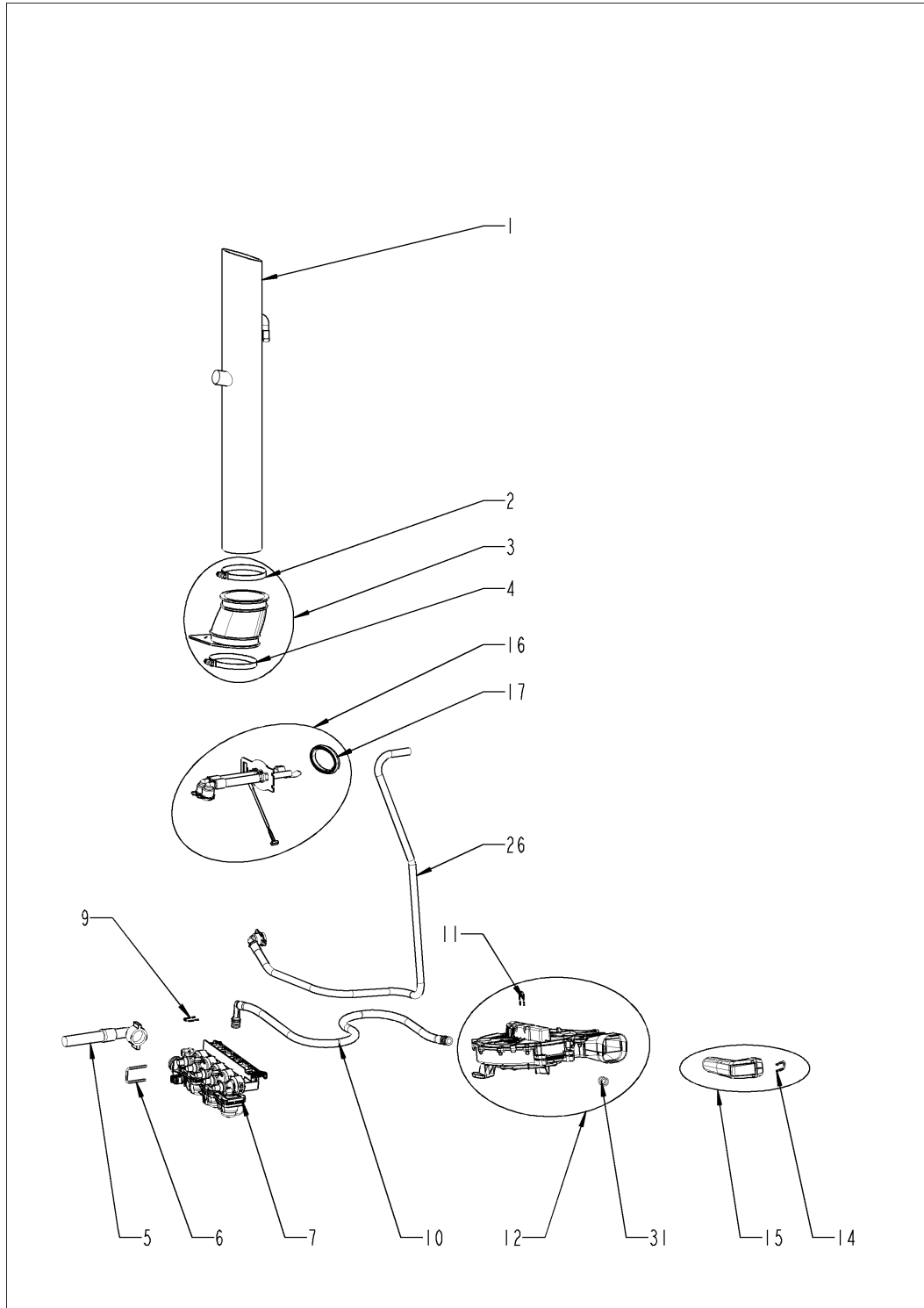
Pos. 1 Exterior cabinet



Pos. 1 Exterior cabinet

Pos.	Part no.	Description	Qty.
1	16.03.404P	Top cover	1
2	1003.2265P	Countersunk self tapping screw 4,2x16	8
3	1104.0820P	Snap nut 4,2mm	8
4	16.04.075P	Side panel right	1
5	16.04.084P	Back panel, right	1
6	16.03.987P	Back panel, left	1
7	10.01.755P	Countersunk screw M5x25 A2	2
8	16.03.409P	Side panel left	1
9	10.01.755P	Countersunk screw M5x25 A2	2
11	16.03.634P	Front panel	1
13	16.04.093P	Crossbar top	1

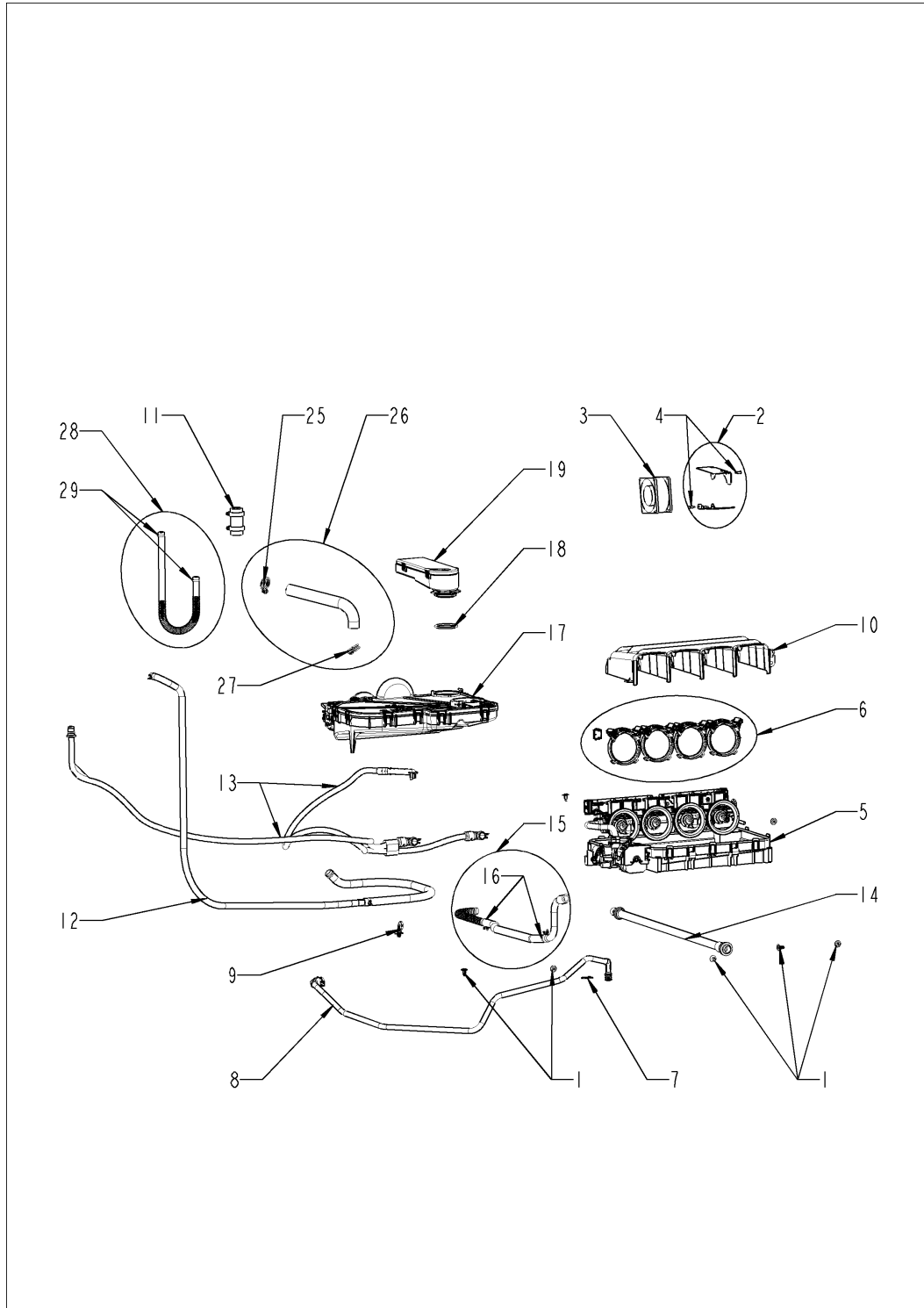
Pos. 10 Water



Pos. 10 Water

Pos.	Part no.	Description	Qty.
1	54.01.604P	Ventilation pipe	1
2	10.01.262P	Hose clamp 76 mm	1
3	54.01.729S	Silicone form piece, venting pipe + hose clamp	1
4	10.01.686P	Hose clamp Ø82mm	1
5	2067.0709P	Hose for water supply 2500mm	1
6	50.02.112P	Clamp for water distribution	1
7	50.02.054P	Solenoid valve fivefold with flowmeter	1
9	50.00.085P	Retractor locking spring	1
10	52.00.106S	Connect. hose f. hand shower roll guide	1
11	50.00.085P	Retractor locking spring	1
12	52.00.096P	Hand shower roll guide	1
14	50.00.156P	Clamp f. hand shower roll guide	1
15	52.00.127S	Hand shower black	1
16	54.01.863S	Inspection lid, B2	1
17	54.01.168P	Gasket f. inspection lid	1
26	50.02.144P	Supply hose for moistening	1
27	2066.0205P	Hose clamp 8-16x9 mm SW 7mm	2
31	50.00.554P	O-ring for hand shower 11x2mm	2

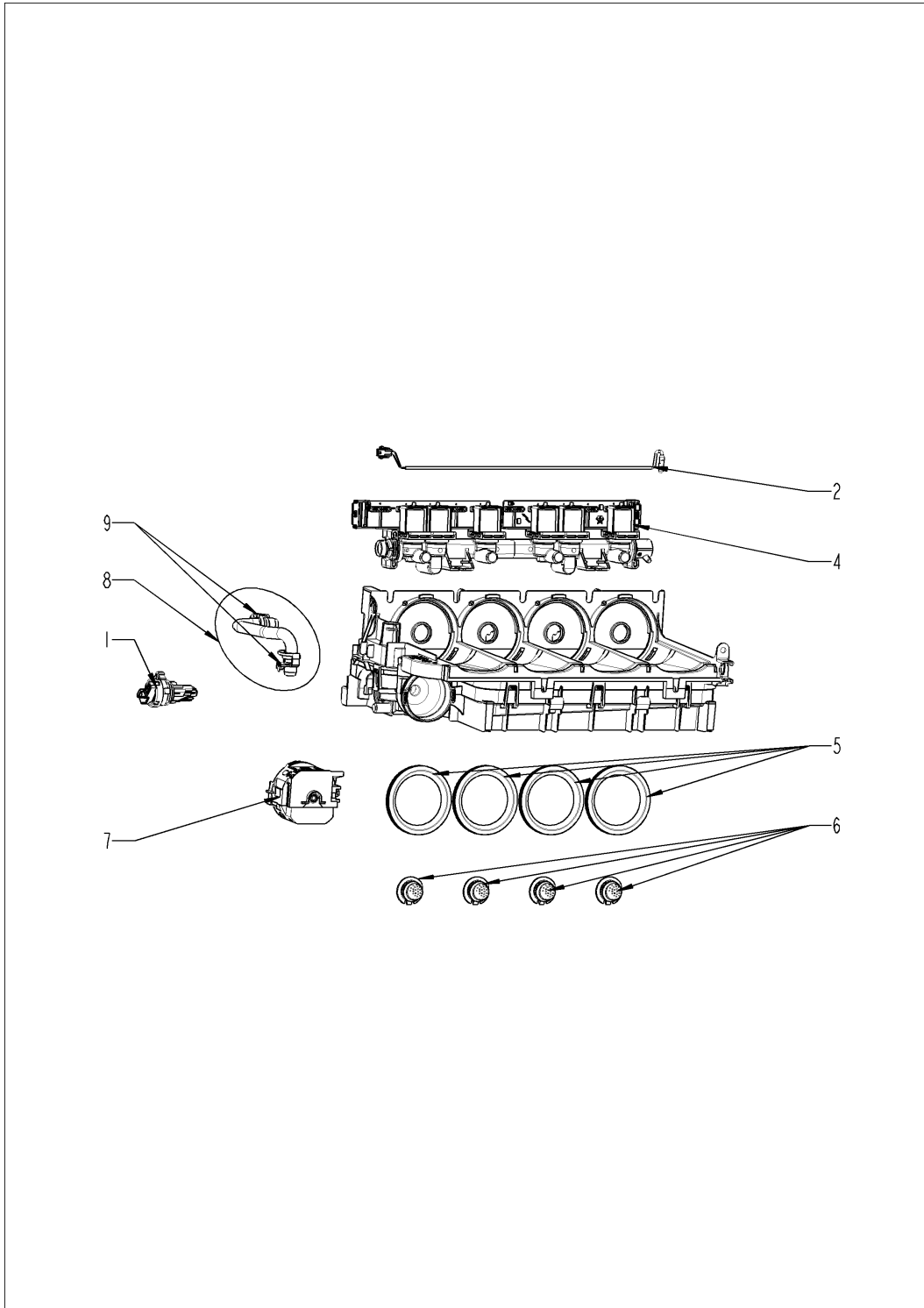
Pos. 11 CleanJet + Care



Pos. 11 CleanJet + Care

Pos.	Part no.	Description	Qty.
1	10.02.008P	Rivet with screw	3
2	87.02.040S	Holder for cooling fan	1
3	40.07.634S	Cooling fan	1
4	10.02.450P	Plastic spreader rivet d4,1/3,5-5,5	2
5	56.00.730P	Chemical storage	1
6	40.07.684P	Cartridge detection cpl.	1
7	50.00.085P	Retractor locking spring	1
8	50.02.401S	Supply hose for chemical storage	1
9	40.03.769P	Tie rap 173x4,8 mm	1
10	56.01.896P	Cover for chemical storage	1
11	56.01.682S	Bushing CleanJet pipe	1
12	56.02.063P	Drain hose for ventilation flap	1
13	56.02.004P	Hose set, chemical distribution	1
14	56.02.014P	Emergency overflow for chemical storage	1
15	56.02.067S	Drain hose, Base panel right	1
16	10.00.982P	Hose clamp D=18.2	2
17	56.01.486P	Cleaning box	1
18	56.01.481P	O Ring emergency overflow	1
19	56.01.454S	Emergency overflow cleaning box	1
25	2066.0521P	Hose clamp 27mm	1
26	56.01.741P	CleanJet hose	1
27	2066.0521P	Hose clamp 27mm	1
28	56.01.688S	Silicone hose with hose clamps	1
29	2066.0527P	Hose clamp ø14mm	1

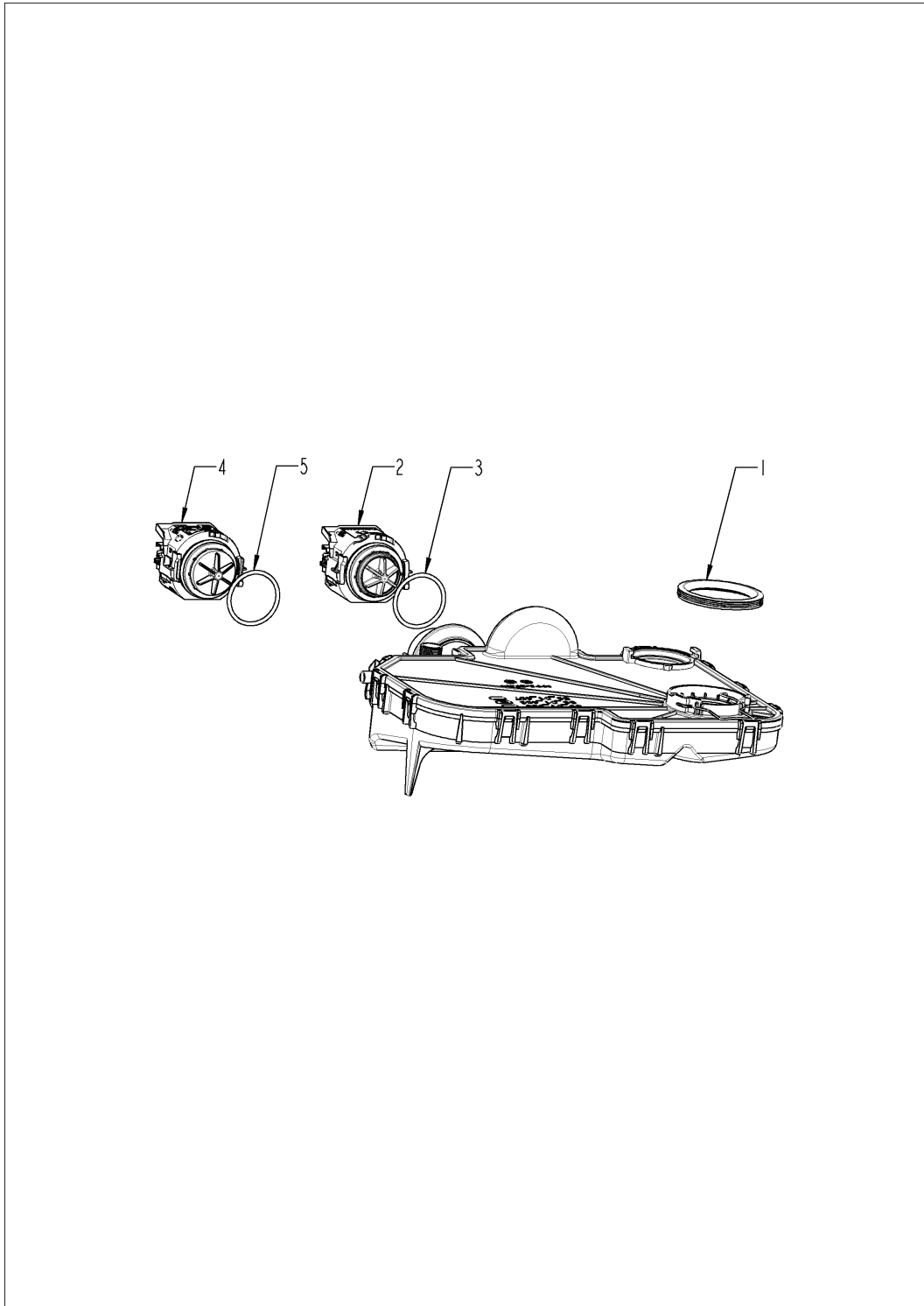
Pos. 5 Chemical storage



Pos. 5 Chemical storage

Pos.	Part no.	Description	Qty.
1	40.07.041P	Conductivity sensor	1
2	40.07.750P	Temperature sensor *B11*	1
4	50.02.320P	Chemical distributor	1
5	56.02.187P	Gasket DN60	4
6	56.01.790P	Nozzle for chemical storage	4
7	56.01.946P	Mixing pump	1
8	56.02.002S	Pressure hose for chemical storage	1
9	10.01.703P	Locking ring 16 mm	2

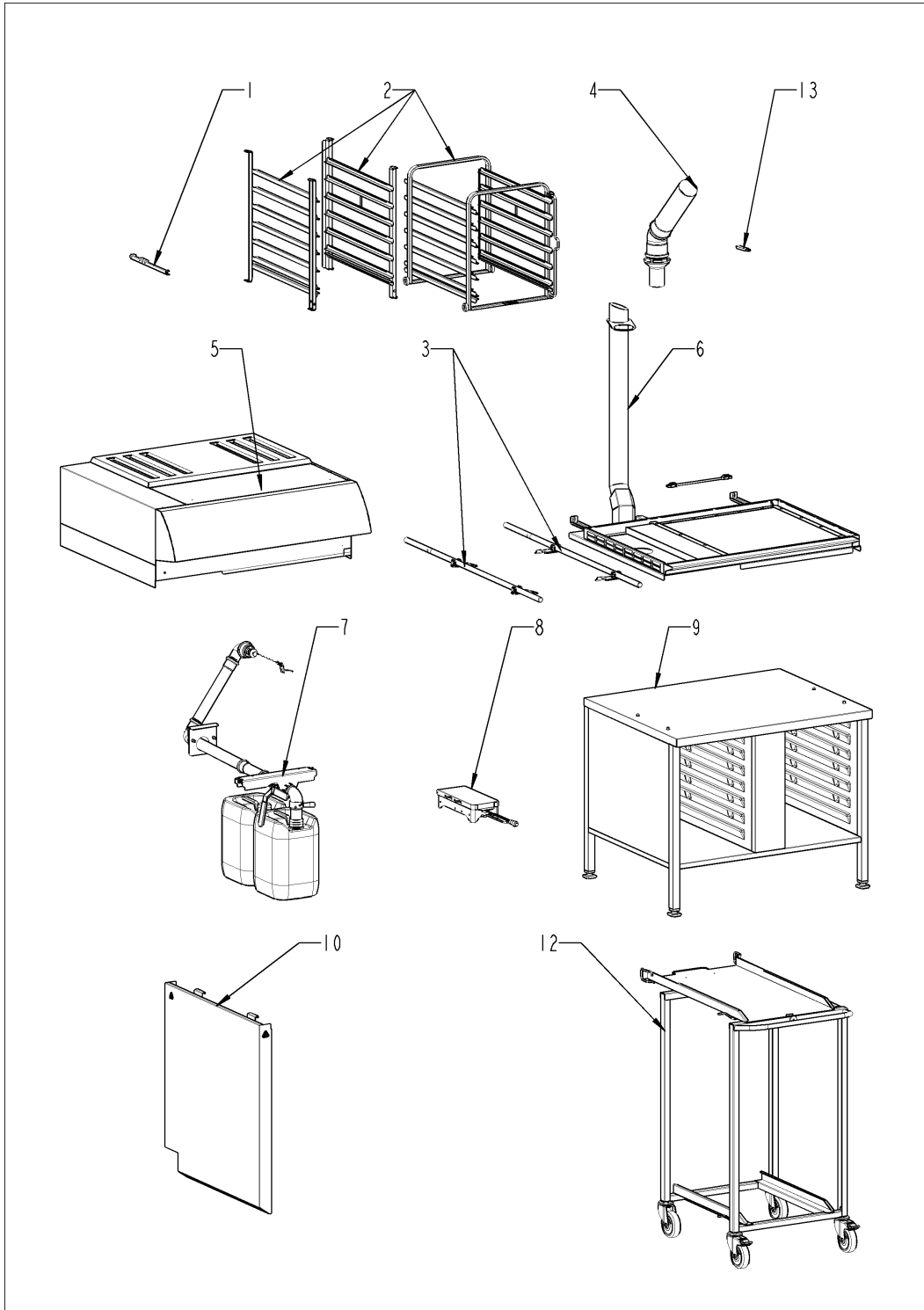
Pos. 17 Cleaning box



Pos. 17 Cleaning box

Pos.	Part no.	Description	Qty.
1	56.01.461P	Gasket DN60	1
2	56.01.017P	Drain pump Cleaning box	1
3	56.01.631P	O-ring for pump	1
4	56.01.020P	Recirculation pump	1
5	56.01.631P	O-ring for pump	1

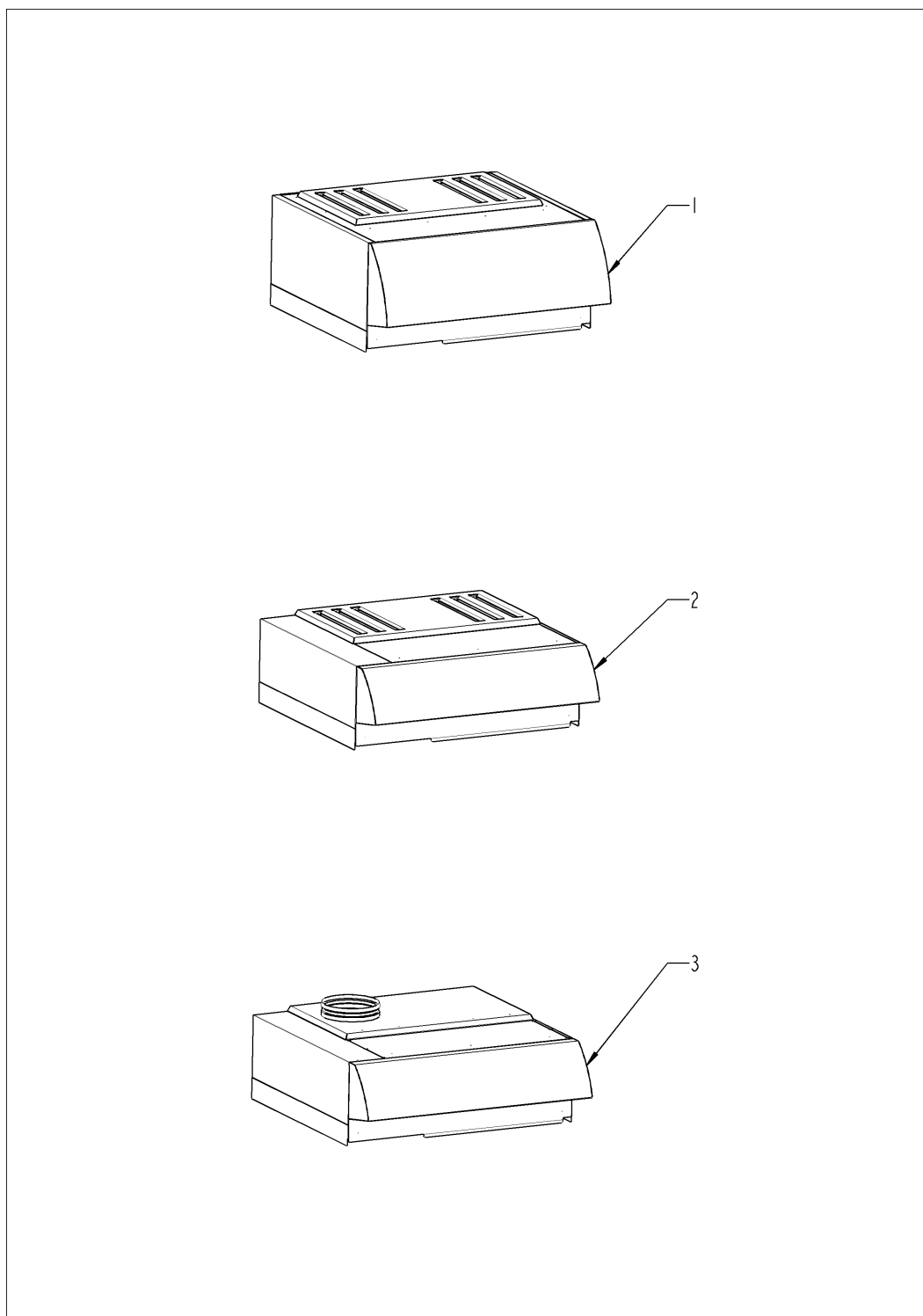
Pos. 13 Standard accessory



Pos. 13 Standard accessory

Pos.	Part no.	Description	Qty.
1	60.71.022	Positioning support for core sensor	1
2	60.62.123	Hinging rack type 6-2/1,	1
3	87.01.918S	Lifting aid kit with bag	1
4	60.72.592	Condensation breaker	1
5		Extractor hood	1
6		CombiDuo	1
7		Internal fat drain table unit	1
8		VarioSmoker	1
9		Stands	1
10		Heat shield	1
12		Transport trolley	1
13	87.01.757	Memory-Stick USB *iCombi Pro & iCombi Classic*	1

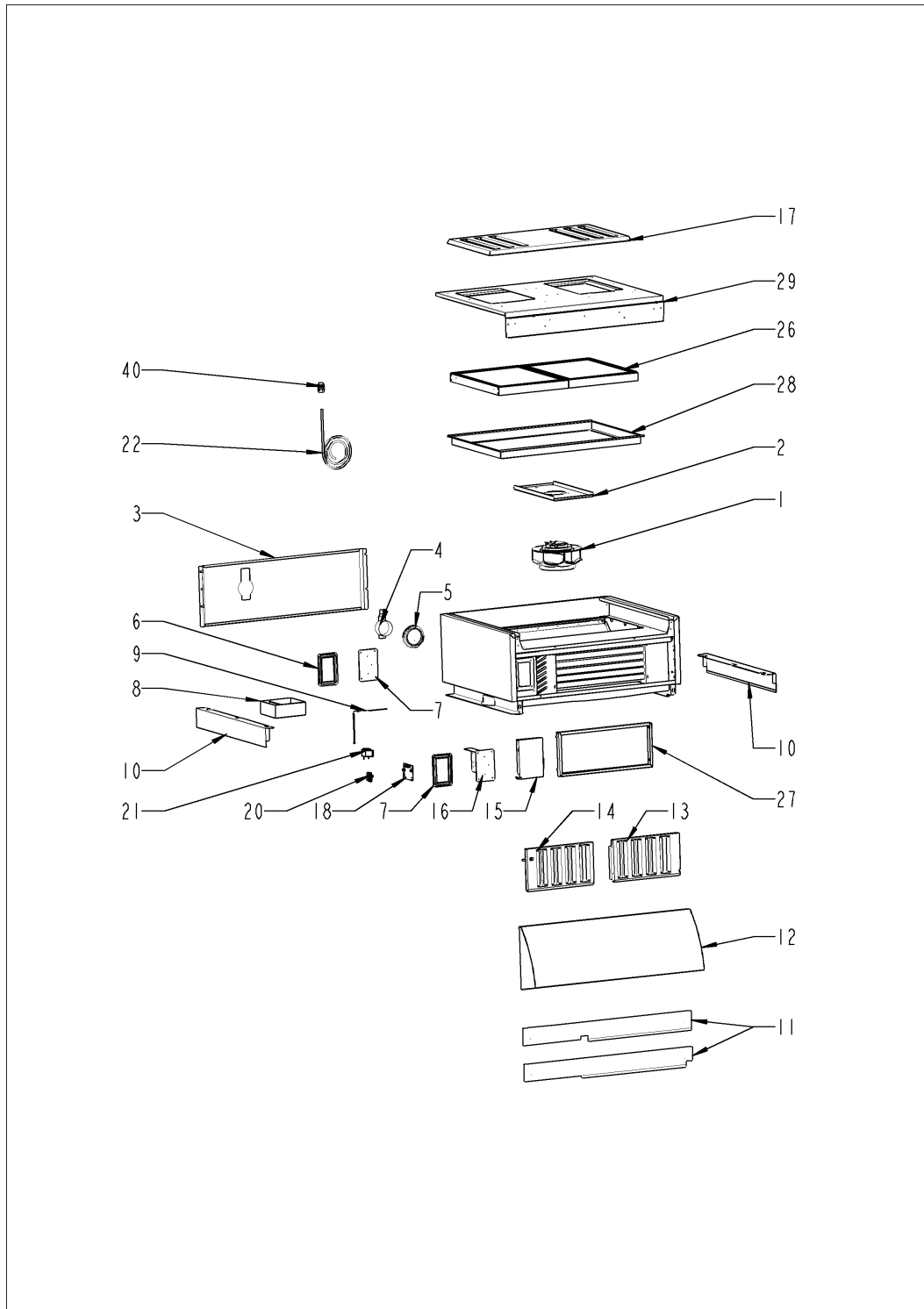
Pos. 5 Extractor hood



Pos. 5 Extractor hood

Pos.	Part no.	Description	Qty.
1		UltraVent Plus	1
2		UltraVent	1

Pos. 1 UltraVent Plus



Pos. 1 UltraVent Plus

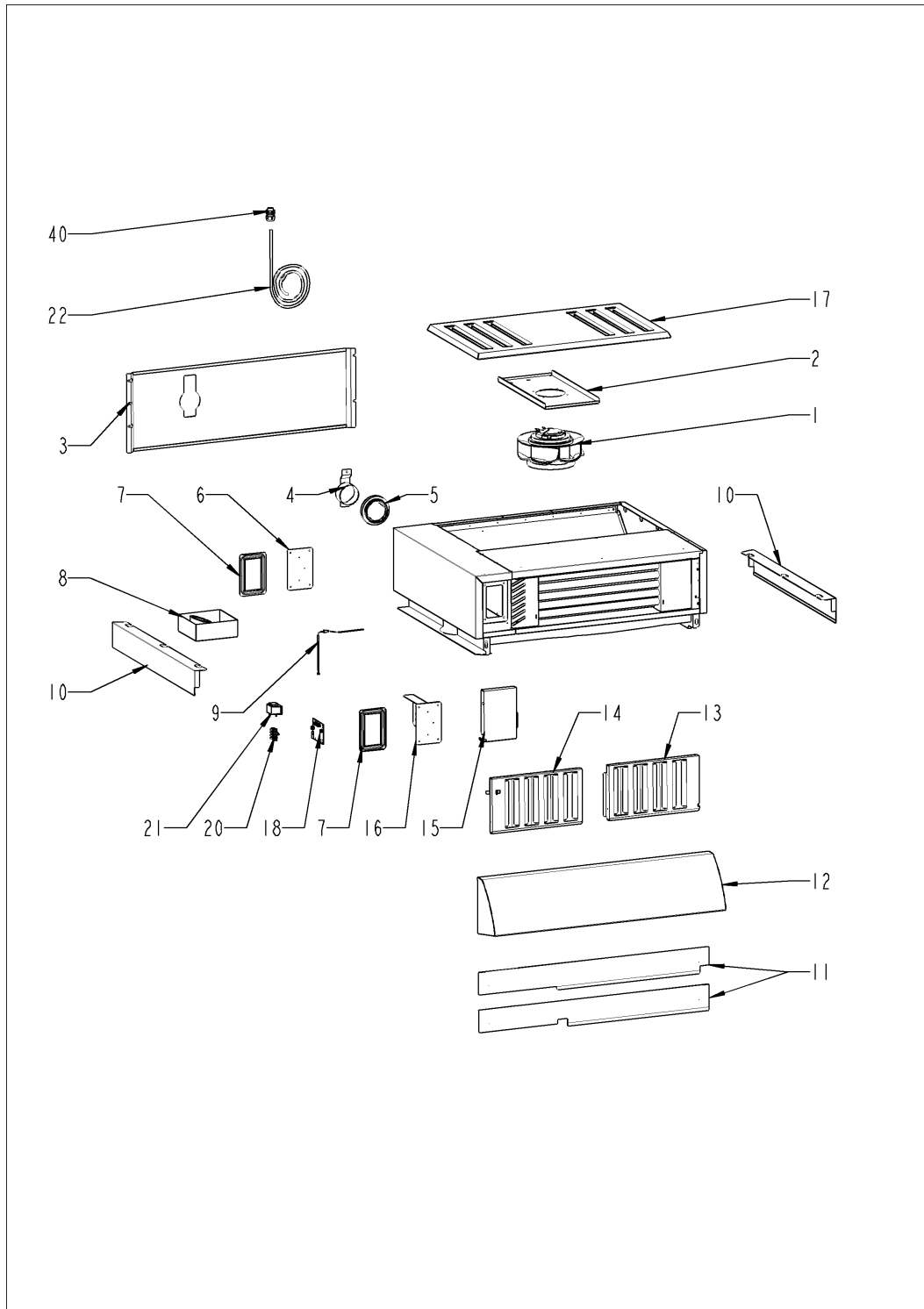
Pos.	Part no.	Description	Qty.
1	60.74.889S	Blower motor for UltraVent 200-240V	1
1	60.74.890S	Blower motor for UltraVent 100-130V	1
2	60.75.179S	Motor mounting plate	1
3	60.75.218S	Heat protection plate	1
4	60.75.215S	Closure Combi-Duo 70mm	1
5	60.75.156P	Gasket 70mm	1
6	60.75.171S	Electrical box cover back	1
7	60.75.212P	Electrical box seal	1
8	60.75.160P	Condensate collector 70mm	1
9	40.05.995P	Thermocouple	1
10	60.75.174P	Side panel	1
11	60.75.177S	Front panel	1
12	60.75.199S	Front hood	1
13	60.76.456P	Baffle plate filter right	1
14	60.75.201P	Baffle plate filter left	1
15	60.75.209P	Electrical box cover	1
16	60.75.175S	Electric box cover front	1
17	60.76.572S	IPX5 Coverage	1
18	42.00.308S	Control pcb UltraVent	1
19	60.76.574P	spacer CPU	1
20	60.76.447S	Connection terminal	1
21	60.76.448S	Power chokes	1
21	60.76.449P	Capacitors	1
22	40.06.597P	Bus cable	1
24	87.01.781S	Thermocouple TE1	1
25	60.76.459P	able strain relief	1
26	60.75.210P	HEPA filtert (2 ea)	1
27	60.75.214P	Prefilter metal mesh	1
28	60.76.528S	Pressure frame HEPA filtert	1
29	60.76.571S	filter cassette clp.	1

**iCombi® as of 03/2020 62 - 6 x 2/1 Gastronorm
E62SJ24103177261**



Pos.	Part no.	Description	Qty.
30	42.00.309S	Adapter pcb f. UVP	1
31	60.75.211P	Hose set Filter detection	1
40	40.00.320S	Cable gland M20x1.5	1

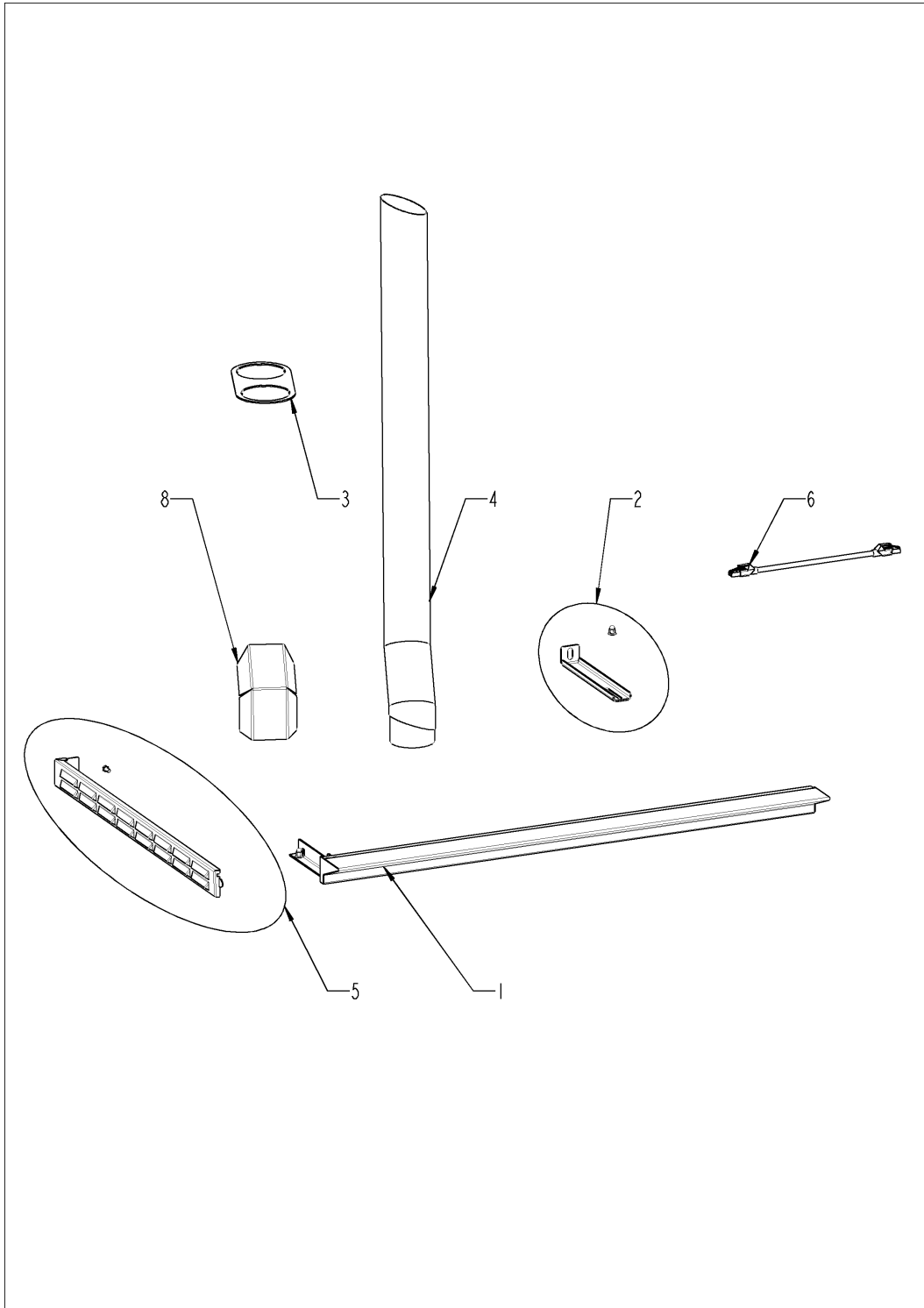
Pos. 2 UltraVent



Pos. 2 UltraVent

Pos.	Part no.	Description	Qty.
1	60.74.889S	Blower motor for UltraVent 200-240V	1
1	60.74.890S	Blower motor for UltraVent 100-130V	1
2	60.75.179S	Motor mounting plate	1
3	60.75.218S	Heat protection plate	1
4	60.75.215S	Closure Combi-Duo 70mm	1
5	60.75.156P	Gasket 70mm	1
6	60.75.171S	Electrical box cover back	1
7	60.75.212P	Electrical box seal	1
8	60.75.160P	Condensate collector 70mm	1
9	40.05.995P	Thermocouple	1
10	60.75.174P	Side panel	1
11	60.75.177S	Front panel	1
12	60.75.195S	Front hood	1
13	60.76.456P	Baffle plate filter right	1
14	60.75.201P	Baffle plate filter left	1
15	60.75.209P	Electrical box cover	1
16	60.75.175S	Electric box cover front	1
17	60.76.534S	IPX5 Coverage	1
18	42.00.308S	Control pcb UltraVent	1
19	60.76.574P	spacer CPU	1
20	60.76.447S	Connection terminal	1
21	60.76.448S	Power chokes	1
21	60.76.449P	Capacitors	1
22	40.06.597P	Bus cable	1
24	87.01.781S	Thermocouple TE1	1
25	60.76.459P	able strain relief	1
40	40.00.320S	Cable gland M20x1.5	1

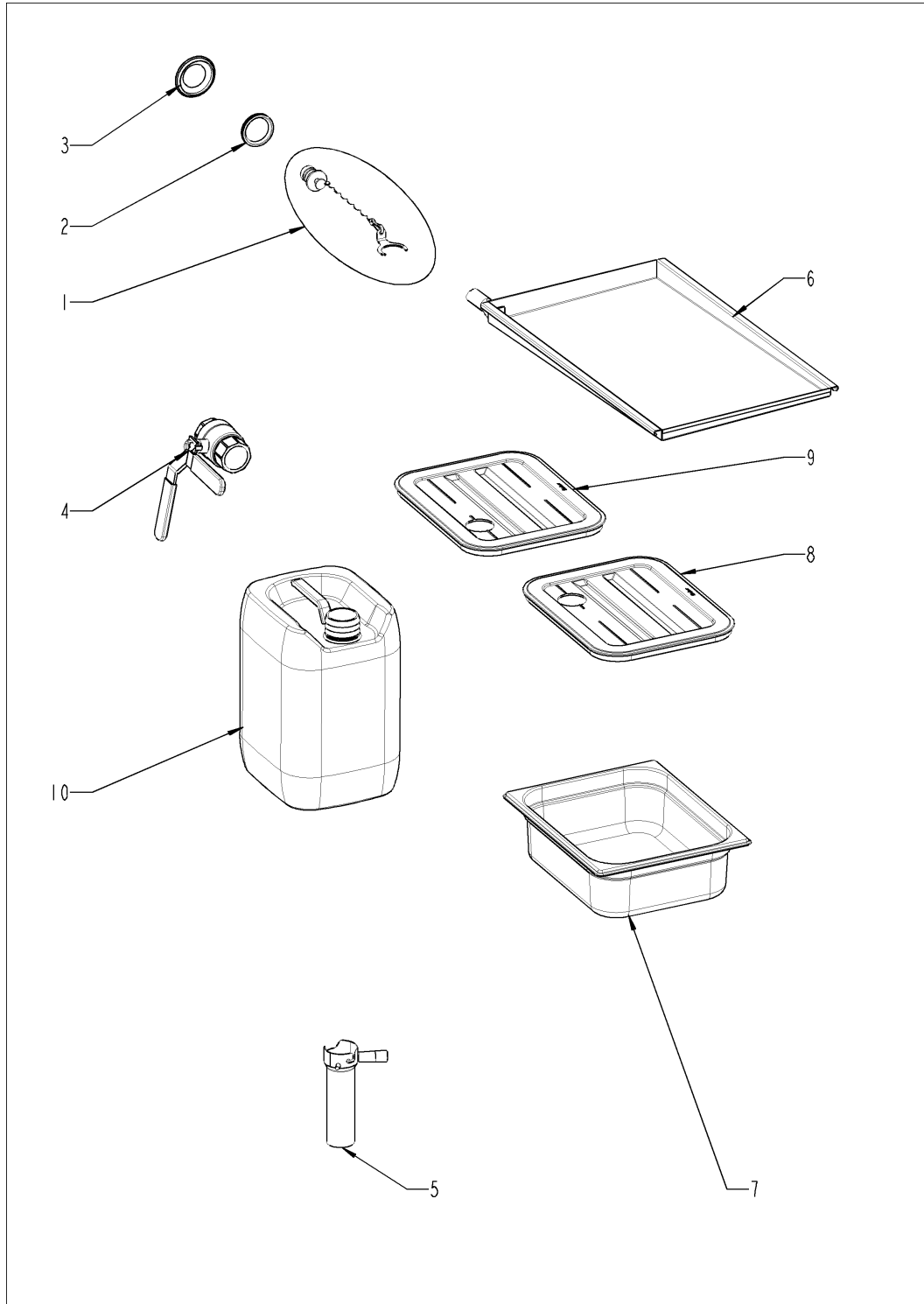
Pos. 6 CombiDuo



Pos. 6 CombiDuo

Pos.	Part no.	Description	Qty.
1	60.75.867S	Front panel	1
2	60.74.841S	Elbow	1
3	60.74.311P	Bracket for venting pipe, Combi-Duo	1
4	60.74.747P	Venting pipe for Combi-Duo Univ.	1
4	60.75.414P	Venting pipe for Combi-Duo	1
5	60.74.739S	Side panel left	1
6	40.05.839P	Bus cable RJ45 2.85m	2
8	60.75.409P	Heat Shield	1

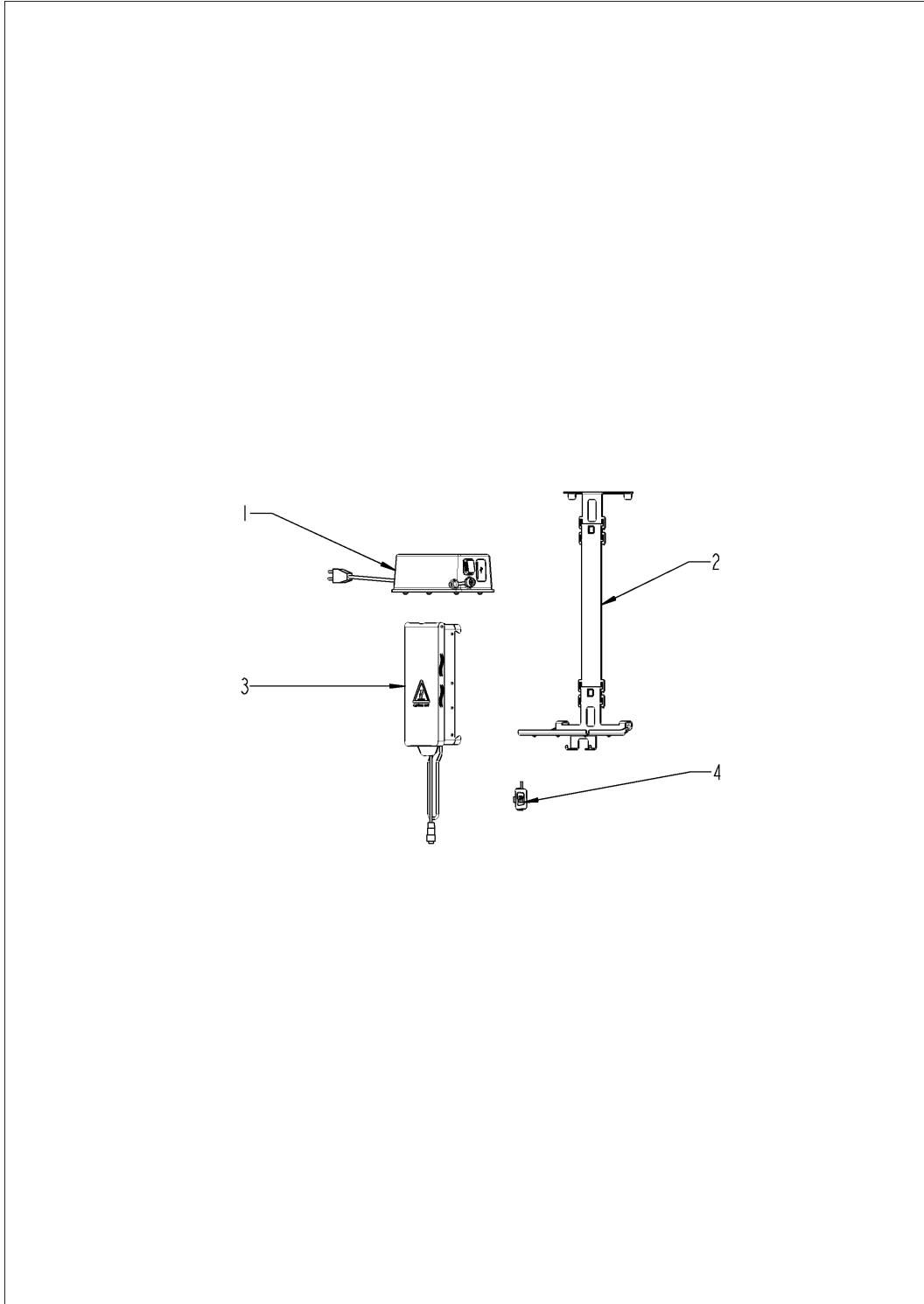
Pos. 7 Internal fat drain table unit



Pos. 7 Internal fat drain table unit

Pos.	Part no.	Description	Qty.
1	60.76.409P	End cap for Internal fat drain	1
2	60.74.564P	Gasket for int. fat drain	1
3	56.00.874P	Gasket wastewater	1
4	60.72.729P	Ball valve DN32 (1 1/4")	1
5	60.72.609P	Drain pipe, bayonet with handle	1
6	60.72.617	Grease collector 2/1 *Hinging rack*	1
7	6013.1210	Tray, 1/2 GN, 100 mm (4") deep	1
8	60.72.696P	Lid for tray, hole right side, GN1/2	1
9	60.72.745P	Lid for tray, hole left side, GN1/2	1
10	60.72.619	Jerry can 10l (2,64USGAL)	1

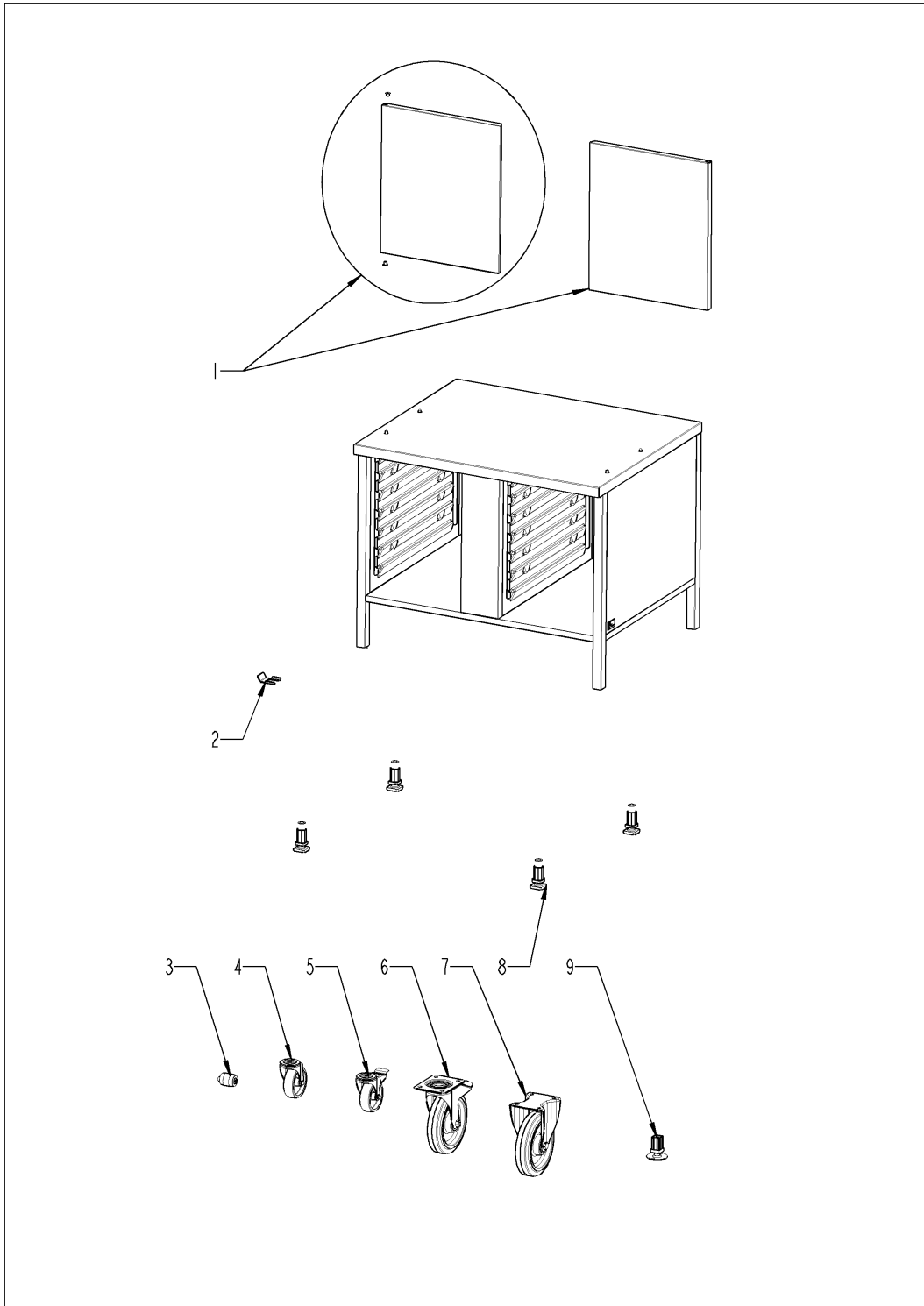
Pos. 8 VarioSmoker



Pos. 8 VarioSmoker

Pos.	Part no.	Description	Qty.
1	60.75.368P	Power supply for VarioSmoker *US*	1
1	60.75.372P	Power supply for VarioSmoker *EU*	1
1	60.75.374P	Power supply for VarioSmoker *UK*	1
1	60.75.376P	Power supply for VarioSmoker *AU, NZ*	1
1	60.75.378P	Power supply for VarioSmoker *CH*	1
1	60.75.386P	Power supply for VarioSmoker *BRA*	1
1	60.77.643P	Power supply for VarioSmoker *ARG*	1
2	60.76.115S	Mounting device kit for VarioSmoker	1
3	60.76.691P	Smoking box for VarioSmoker	1
4	40.06.837P	Interface cable USB VarioSmoker	1

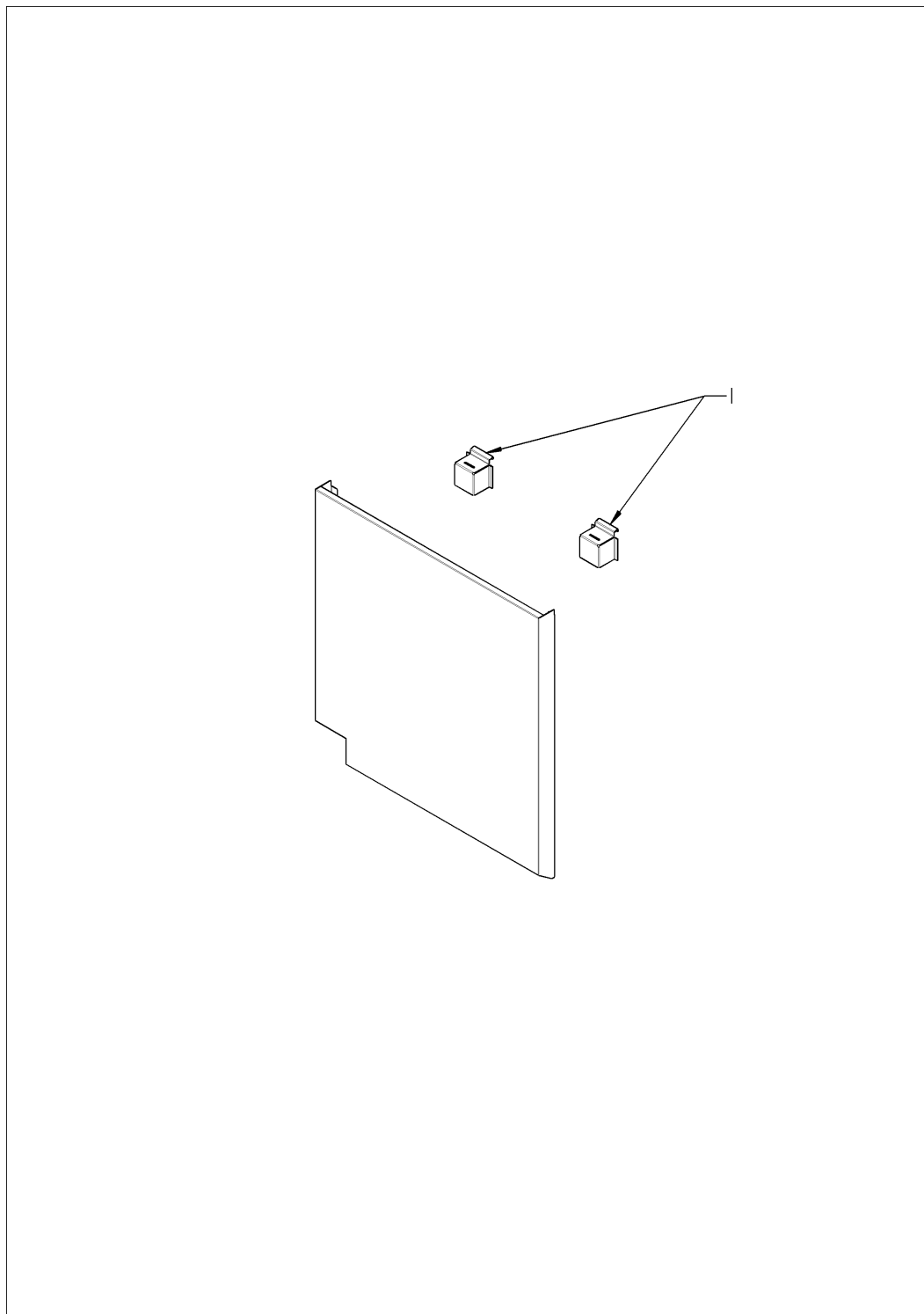
Pos. 9 Stands



Pos. 9 Stands

Pos.	Part no.	Description	Qty.
1	87.01.812S	Door 2/1	1
2	60.31.648P	Castor brake	1
3	60.76.291P	Castor for levelling kit	1
4	60.75.365P	Castor, 100mm without brake	1
5	60.75.366P	Castor, 100mm with brake	1
6	60.73.163S	Castor with brake ø200mm	1
7	60.73.162S	Castor without brake D=200	1
8	60.31.283P	Foot adjustable,30x30	1
9	60.31.351P	Stainless steel base	1

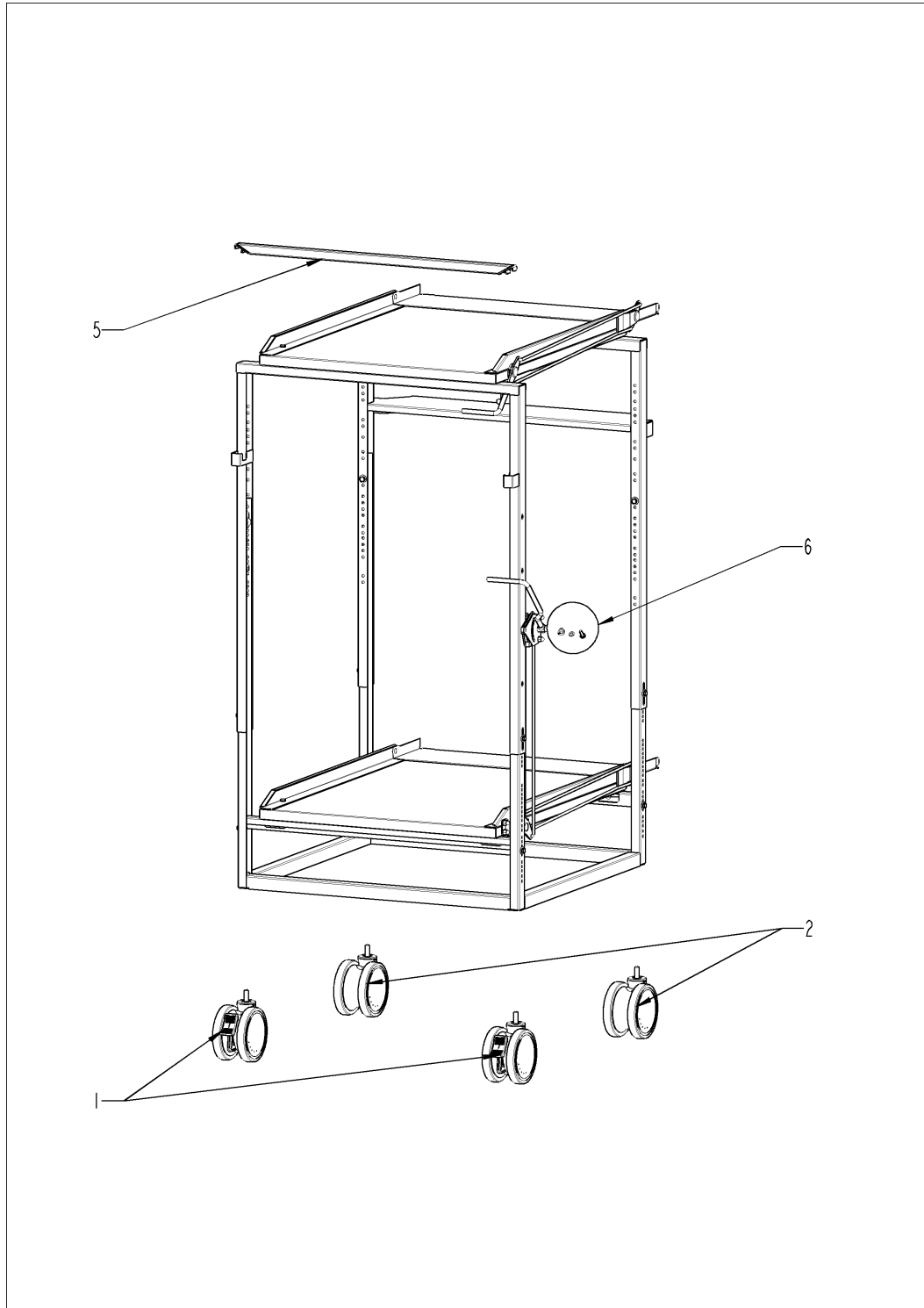
Pos. 10 Heat shield



Pos. 10 Heat shield

Pos.	Part no.	Description	Qty.
1	60.75.111P	heat shield holder top	1

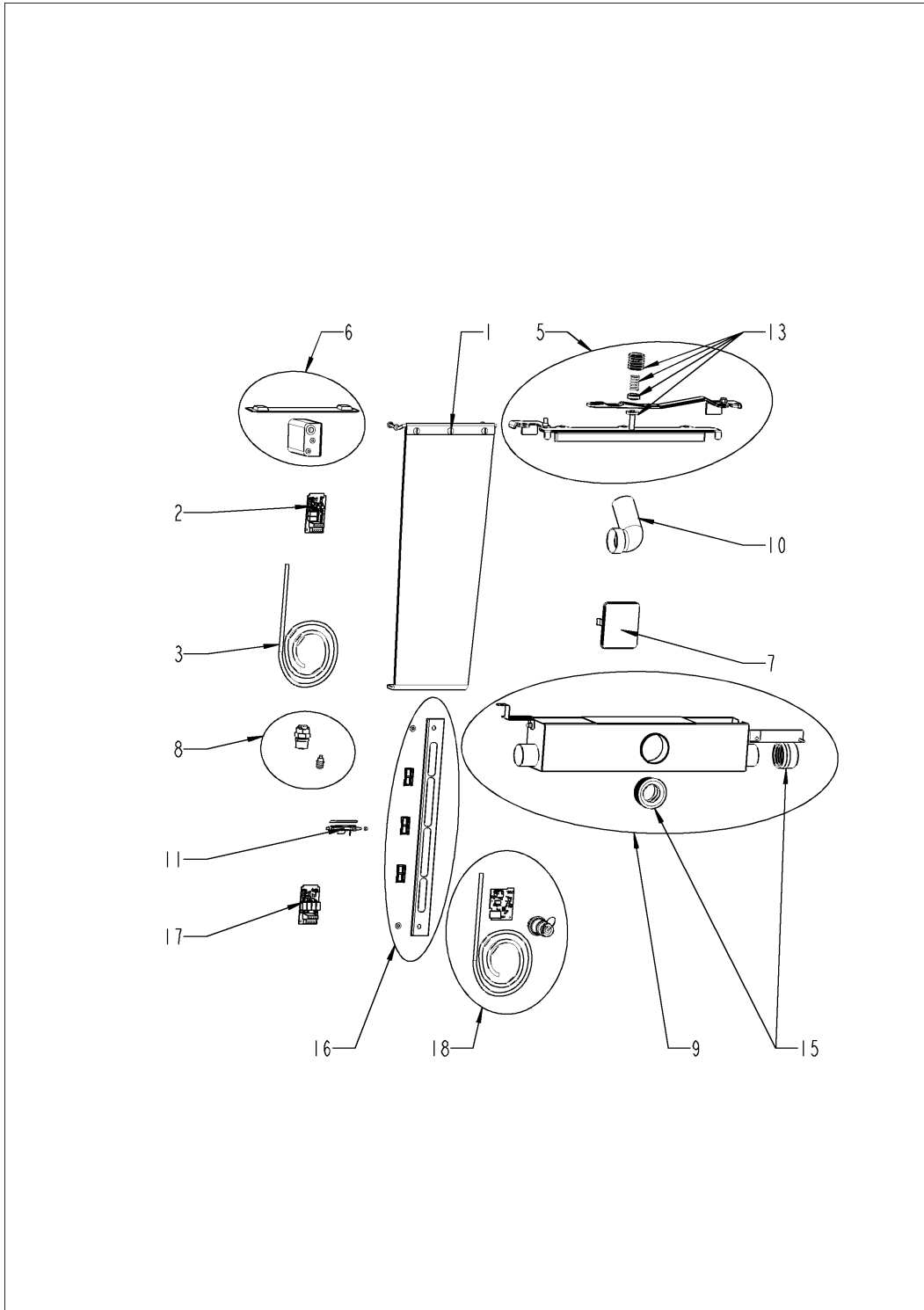
Pos. 12 Transport trolley



Pos. 12 Transport trolley

Pos.	Part no.	Description	Qty.
1	60.74.681P	Castor with brake ø125mm	2
2	60.74.680P	Castor without brake ø125mm	2
5	60.73.355P	Handle for mobile oven rack	1
5	60.75.849P	Handle for transport trolley	1
6	60.76.540S	Bush for transport trolley	1

Pos. 20 Repair and retrofit kit



Pos. 20 Repair and retrofit kit

Pos.	Part no.	Description	Qty.
1	87.01.866S	Retrofit kit *Collision protection*	1
2	87.01.785S	Retrofit kit Energy_opt.	1
5	87.01.894S	Door arrester	1
6	60.76.876	Extension set for USB core temperature probe	1
7	87.01.790S	Conversion kit blind cover for hand shower	1
8	60.77.082	Second water connection for filling the hand shower.	1
9	56.01.809P	Waste water box	1
10	87.01.897	Retrofit kit waste water piping DN90	1
11	87.01.917S	Repair kit, drain valve	1
12	87.01.930S	Locking for flap, chemical storage	1
13	87.01.996S	Door arrester service kit	1
15	87.02.004S	Waste water box service kit	1
16	40.07.590S	LED optics HD	1
17	87.01.816S	Retrofit kit 4-fold relay	1