

Service part catalogue

SelfCookingCenter® whiteefficiency®

SelfCooking Center 202 - 20 x 2/1 GastronormE

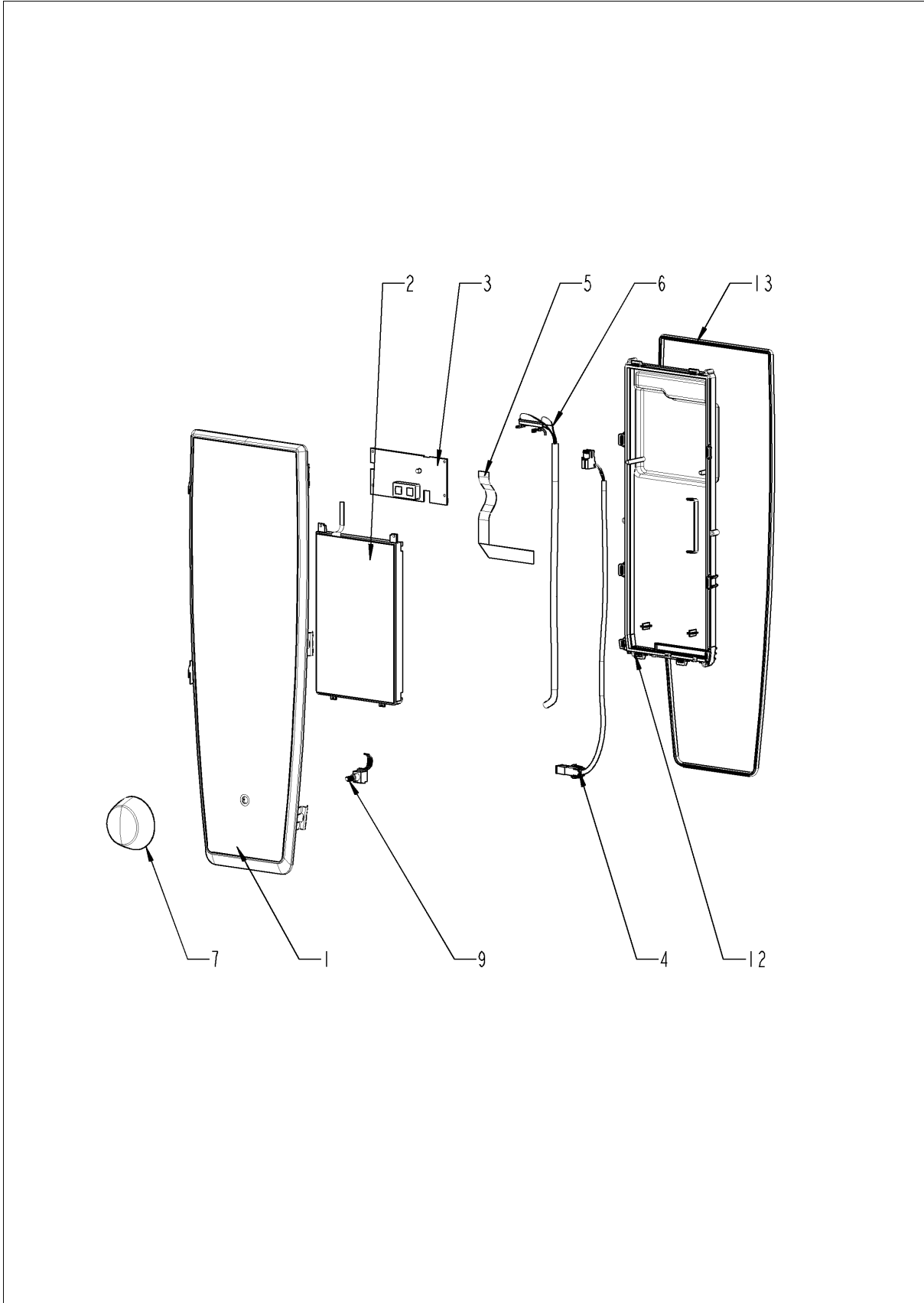
E22SH1112



SelfCookingCenter® whiteefficiency®

Pos.	Part No.	Description	Qty.
1		Control panel	1
2		Electrical installation	1
3		ClimaPlus	1
4		Steam generator	1
5		Hot air heating	1
6		Motor and fan wheel	1
7		Interior cabinet	1
8		Door	1
9		Exterior cabinet	1
10		Water	1
11		CleanJet + Care	1
13		Standard accessory	1

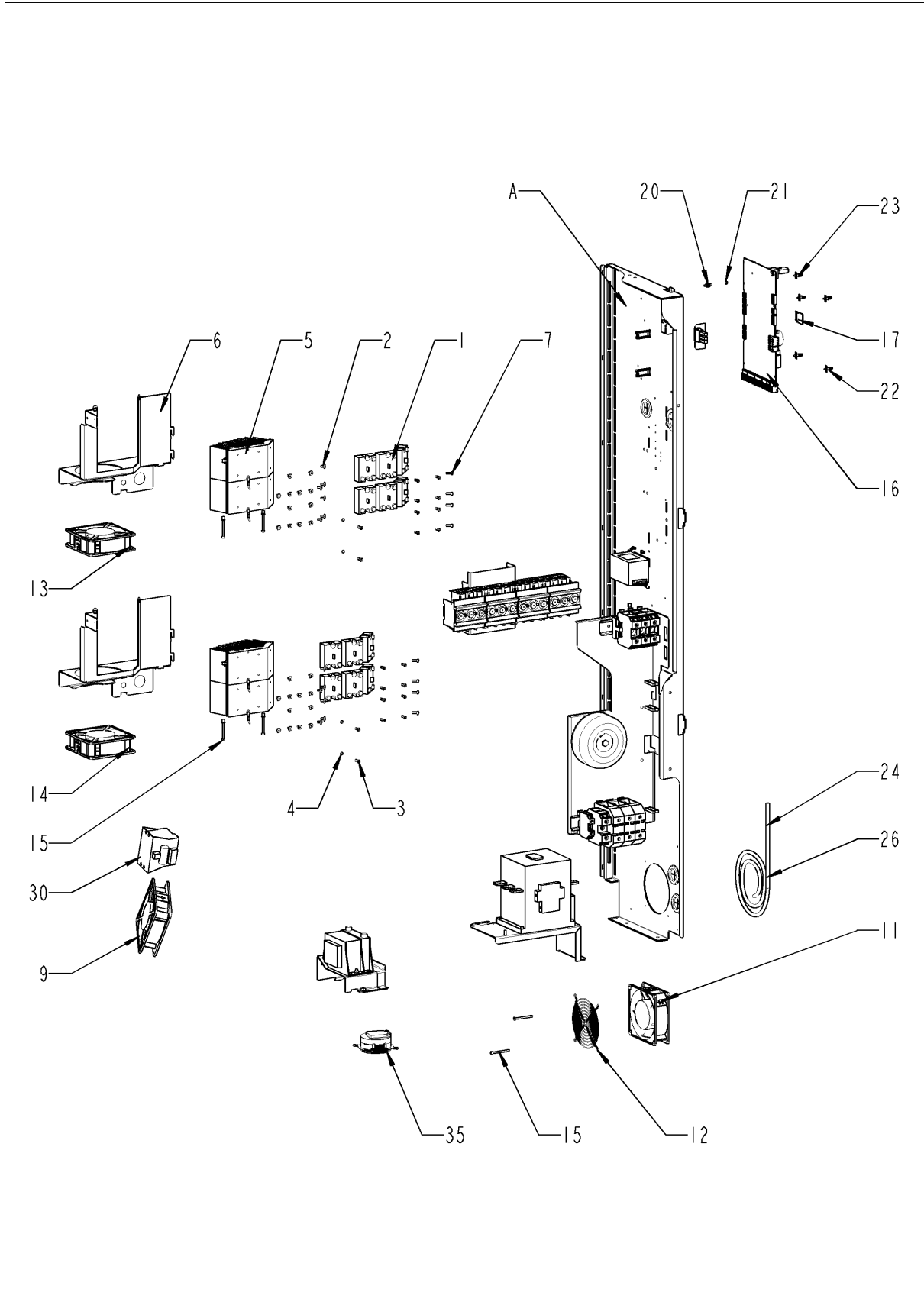
Control panel



Control panel

Pos.	Part No.	Description	Qty.
1	87.01.005	Control panel insert with overlay *RAT*	1
2	42.00.112	Control pcb *TFT*	1
3	42.00.081	MMI pcb	1
4	40.03.467	Cable On-Off switch MMI	1
5	40.03.515	Cable MMI - TFT	1
6	40.03.516	Cable MMI - CPU	1
7	16.02.062	Dial f. pulse generator	1
9	40.00.404	Pulse generator	1
12	16.01.910	Cover f. control pcb w. gasket	1
13	16.01.908	Sealing f. panel insert	1

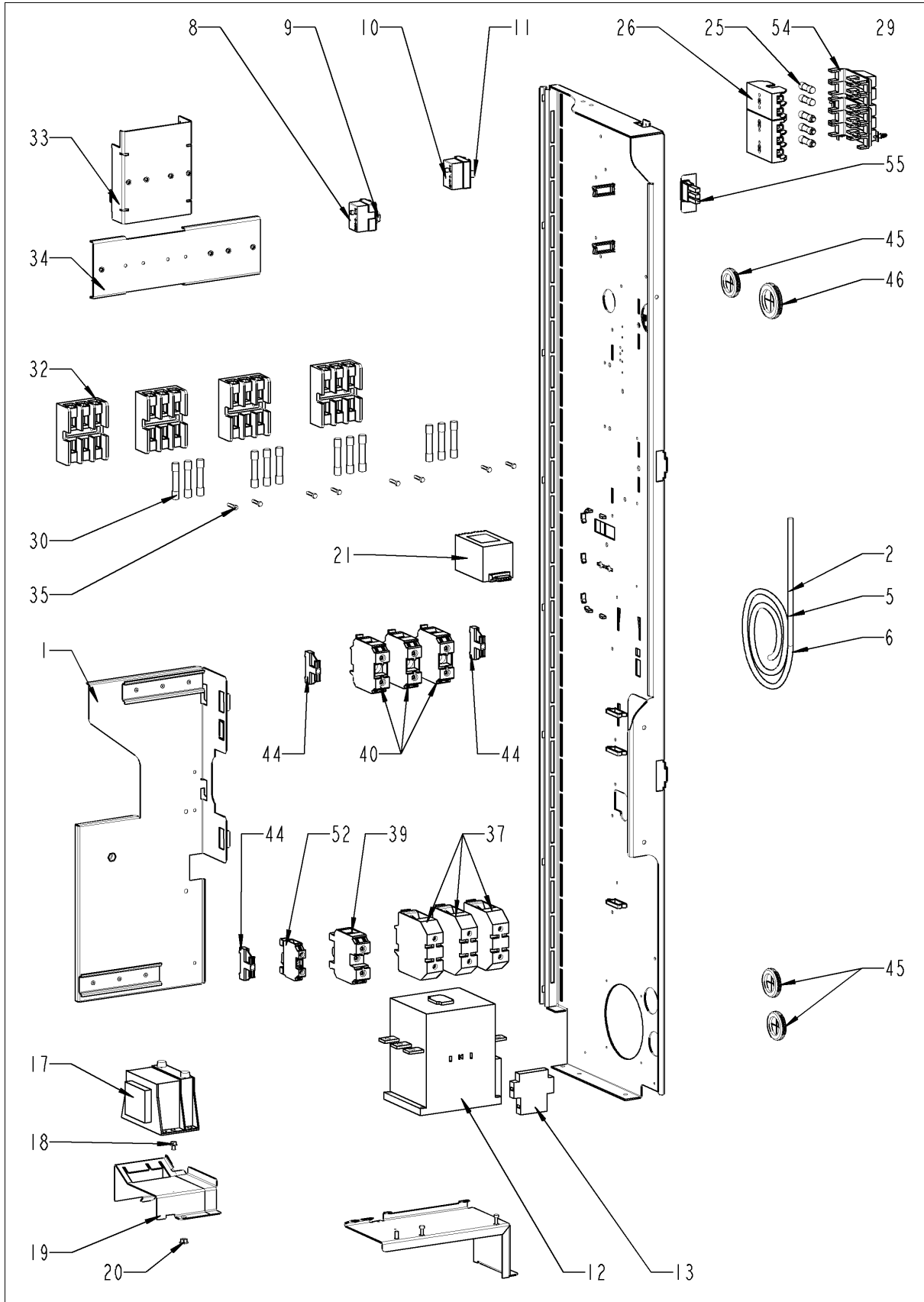
Electrical installation



Electrical installation

Pos.	Part No.	Description	Qty.
1	40.00.453	Solid state relais	12
2	10.00.061	Pan head screw Torx T20 M4x12	24
3	10.00.061	Pan head screw Torx T20 M4x12	4
4	1204.0120	Tooth lock washer A4,3	4
5	40.03.537	Heat sink 3 SSR	4
6	40.03.393	Mounting device heat sink SSR	2
7	10.00.507	Pan head screw Torx 5/16" T20	36
9	40.03.985	Cooling fan	1
11	40.03.425	Cooling fan	1
12	2005.0106	Protective grid for cooling fan	1
13	40.03.425	Cooling fan	1
14	40.03.425	Cooling fan	1
15	10.00.564	Pan head screw Torx T20 M4x45	6
16	42.00.080	Control pcb *Sicotronic*	1
17	42.00.128	SD-memory card 4GB	1
20	10.00.243	Spacer M4x8	1
21	1104.0121	Hex nut M4 self locking	1
22	40.03.756	Fixing clip f. pcb	1
23	40.03.533	Fixing clip f. pcb	4
24	40.03.999	Bus cable 1.5m	1
26	40.03.998	Bus cable 1.15m	1
30	40.03.984	Transformer f. cooling fan	1
35	40.03.989	Loudspeaker K 64 WPT	1
A		Electrical installation	1

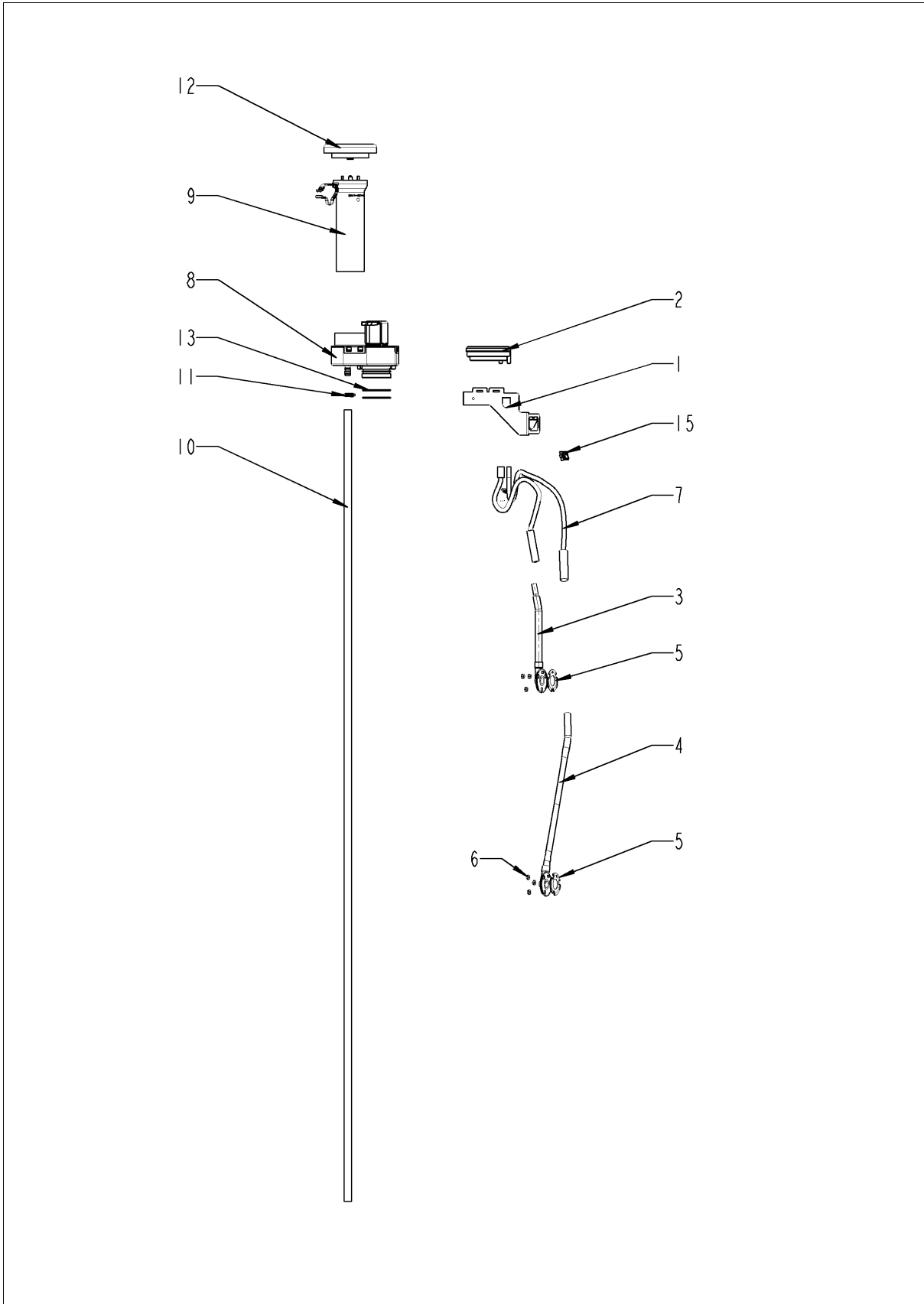
Electrical installation



Electrical installation

Pos.	Part No.	Description	Qty.
1	40.02.696	Contacteur assembly	1
2	40.03.982	Cable clock switch USA	1
5	40.03.487	Cable contactor-SSR	1
6	40.03.486	Cable control harness	1
8	40.01.329	Dry up protector 183°	1
9	3014.0302	Hex nut M10 for dry-up protector	1
10	40.01.482	Safety temperature limiter 365°C	1
11	3014.0327	Hex nut M10x1,0	1
12	40.04.008	Contacteur B&J K3-176A00 230	1
13	40.02.798	Auxilliary contact B&J HKA11 N/O-N/C	1
14	10.00.066	Raised countersunk head screw Torx T20 M4x16	4
15	10.00.744	Washer A4,3 *A4	4
17	40.03.348	Control transformer T1	1
18	10.01.065	Hex nut M5	1
19	40.03.423	Mounting support transformer	1
20	10.00.709	Hex nut M6 w. locking	1
21	40.02.425	Varistor	1
25	40.01.588	Fuse SC-8A 10x38	2
25	4001.0224	Fuse 6.35x32mm	2
26	40.01.487	Fuse holder 2pol	1
26	40.02.512	Fuse holder 2x6.3A	1
29	10.00.364	Pan head screw Torx M3x12	2
30	4001.0217	Fuse SC 60A	12
32	40.01.489	Fuse holder 3pol 60A	4
33	40.03.524	Mounting support for fuse holder	1
34	40.03.960	Mounting support for fuse holder	1
35	10.00.061	Pan head screw Torx T20 M4x12	8
37	40.01.609	Terminal block grey WKN 150/U	3
39	40.01.610	Earth terminal 20 WKN 70SL/U	1
40	40.01.611	Terminal block grey WKN 70/U	3
44	4001.1203	End plate for mounting rail	3
45	4007.0620	Membrane DGC 29	3
46	4007.0621	Membrane DGC 36	2
52	40.03.728	Earth terminal WKN 16SL/U	1
54	40.04.122	Cover for Fuse *UL*	2

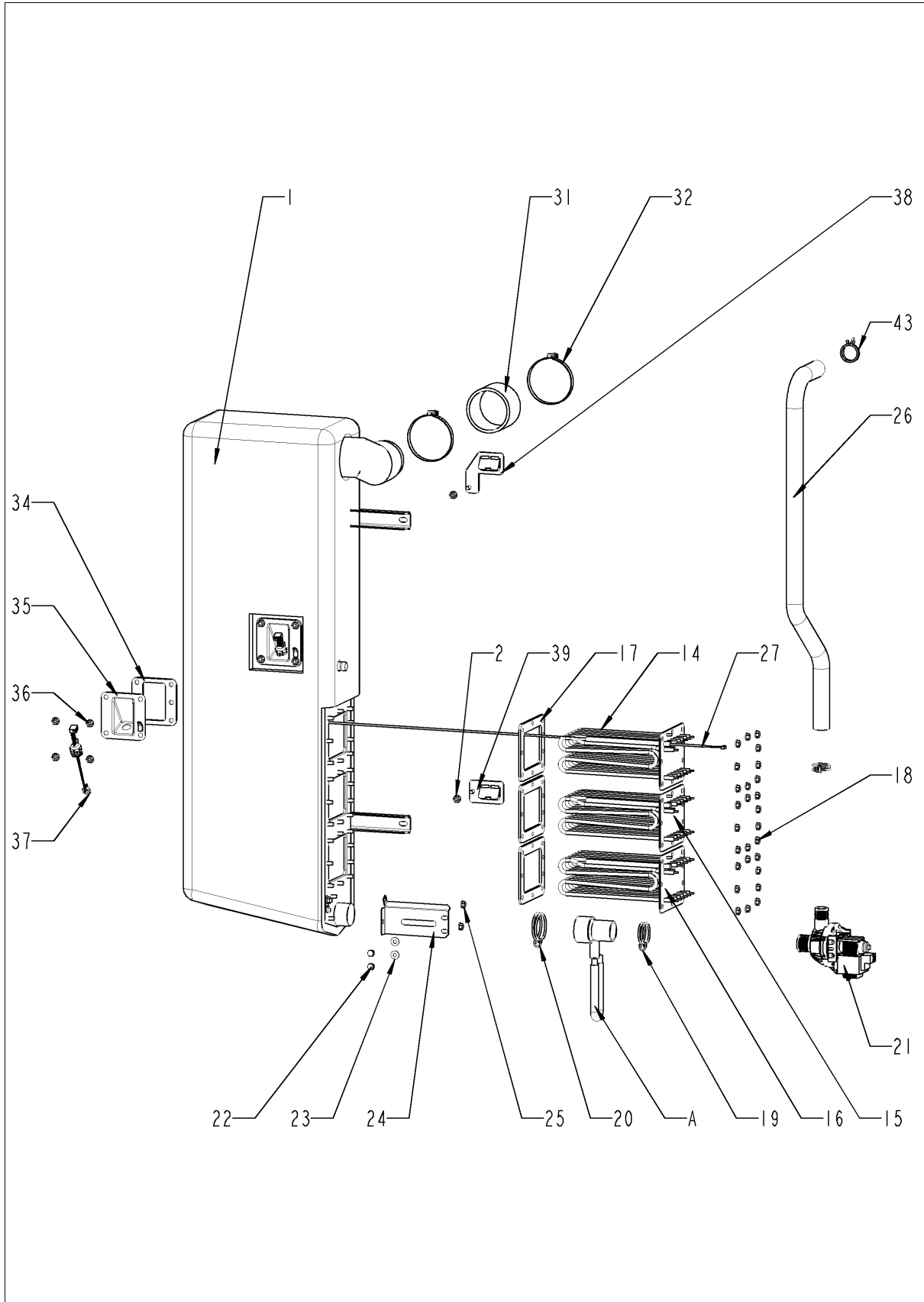
ClimaPlus



ClimaPlus

Pos.	Part No.	Description	Qty.
1	22.00.882	Mounting device f. pressure sensor	2
2	3017.1011	Pressure sensor for humidity control Huba 401	1
3	22.00.908	Inner humidity meas. Piece	1
4	22.00.850	Outer humidity meas. Piece	1
5	22.00.881	Gasket f. hum. meas. Pipe	2
6	1104.0122	Hex combination nut M4 galv	6
7	22.00.525	Hose set f. humidity control	1
8	22.00.725	Humidity control cpl.	1
9	22.00.916	Air inlet pipe	1
10	22.00.958	Drain hose for humidity control	1
11	2066.0527	Hose clamp ø14mm	2
12	22.00.767	Vent cover	1
13	22.00.837	O-ring for humidity control	2
15	10.00.111	Cable clip long	2

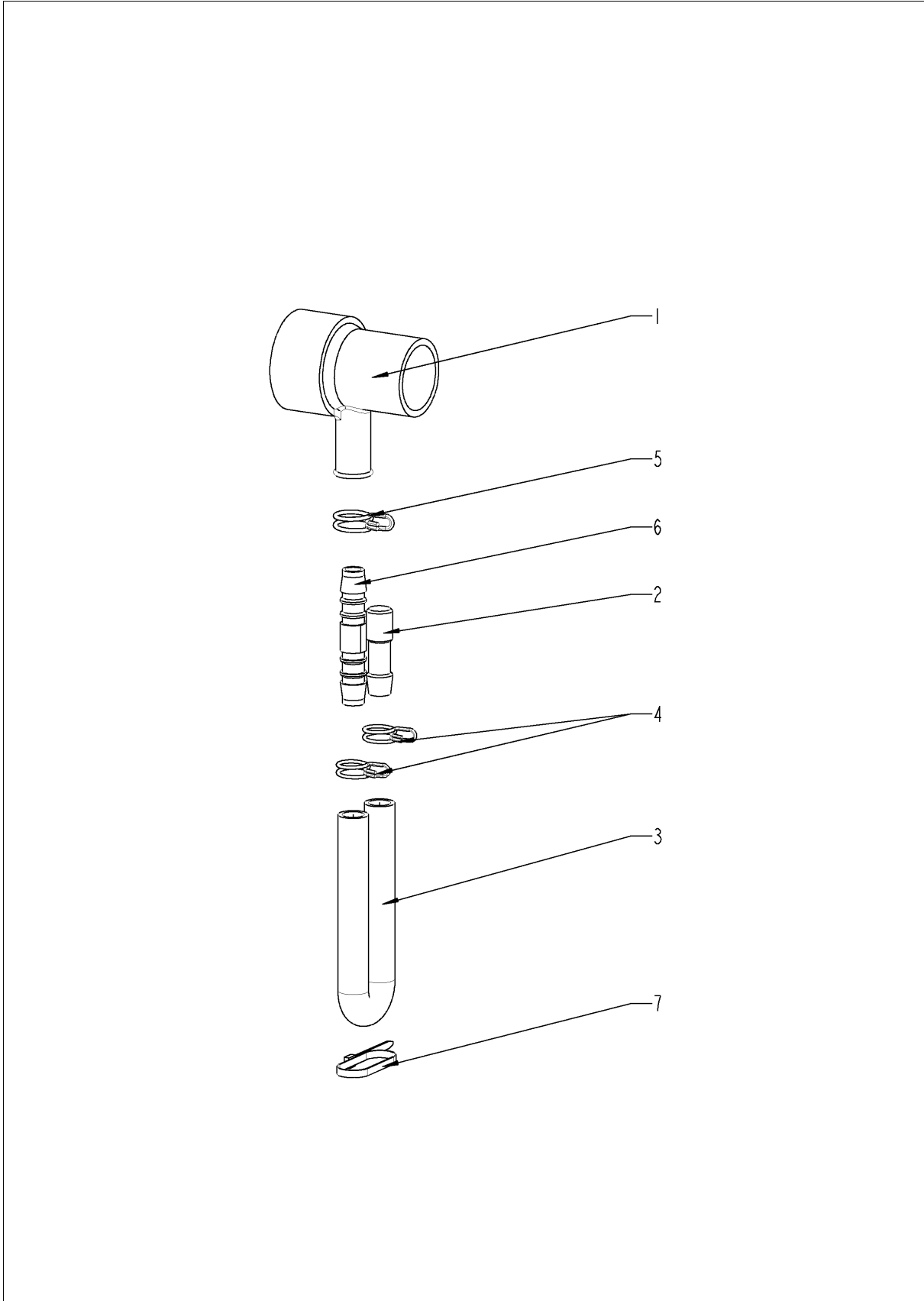
Steam generator



Steam generator

Pos.	Part No.	Description	Qty.
1	44.00.947	Steam generator insolated	1
2	10.00.709	Hex nut M6 w. locking	2
14	44.01.350	Heating element	1
15	44.01.350	Heating element	1
16	44.01.350	Heating element	1
17	44.00.279	Gasket f. heating element	3
18	10.00.709	Hex nut M6 w. locking	27
19	2066.0519	Hose clamp 35,6mm	1
20	2066.0526	Hose clamp ø46mm	1
21	44.00.207	Emptying pump	1
22	1006.0762	Hex screw M6x10	2
23	1306.0222	Washer A6,4x15x1,5	2
24	44.00.232	Fixing device f. pump steam generator	1
25	10.00.709	Hex nut M6 w. locking	2
26	44.01.224	Drain hose steam generator	1
27	40.04.107	Thermocouple steam generator *B5*	1
29	10.00.414	Cable strap black 120°	1
30	1104.0122	Hex combination nut M4 galv	1
31	44.00.362	Steam hose 70x5	1
32	2066.0516	Hose clamp 60-80 mm	2
34	44.00.280	Gasket f. heating element+Level elektrode insert	1
35	2920.1300	Level elektrode insert	1
36	10.00.709	Hex nut M6 w. locking	4
37	44.01.408	Filling level electrode 90 mm	1
38	44.01.168	Fixing angle steam generator	1
39	44.01.181	Fixing angle steam generator	1
43	2066.0518	Hose clamp 30mm	2
A	8354.1320	Pump connection spout cpl.	1

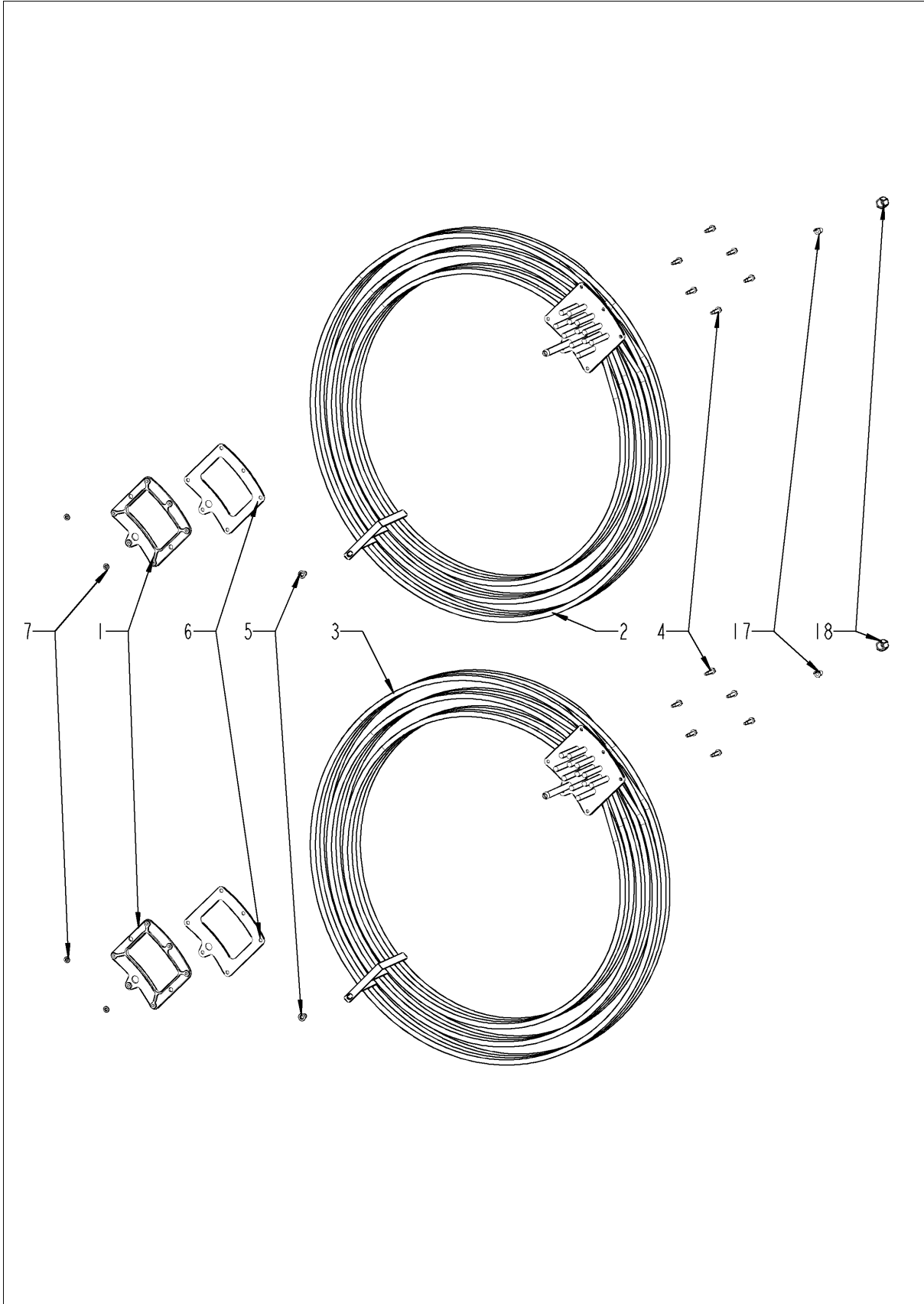
Pump connection spout



Pump connection spout

Pos.	Part No.	Description	Qty.
1	2118.1000	Pump connection spout	1
2	2120.1259	Stop plug 10mm	1
3	2110.1008	Silicon hose ø10x2mm	1
4	2066.0527	Hose clamp ø14mm	2
5	2066.0530	Hose clamp ø16.4mm	1
6	2062.0331	Junction pressure hose GS 10	1
7	4005.0101	Tie rap 145 mm	1

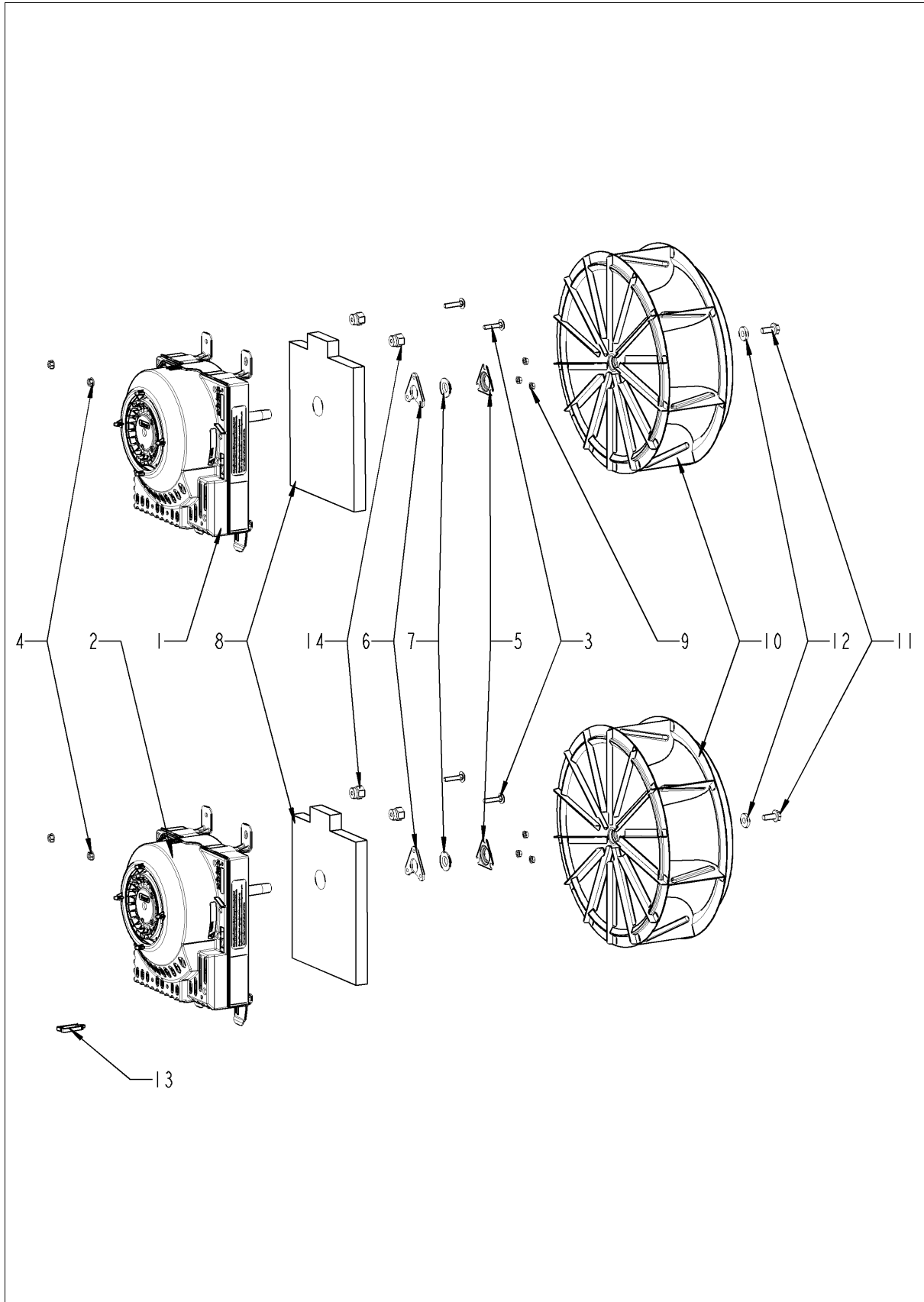
Hot air heating



Hot air heating

Pos.	Part No.	Description	Qty.
1	40.03.413	Mating flange f. heating assembly	2
2	40.03.658	Heating assembly	1
3	40.03.658	Heating assembly	1
4	10.00.109	Hex screw M5x23	12
5	10.01.076	Cap nut M5*A2	2
6	40.03.416	Gasket f. heating assembly	2
7	1107.0103	Star lock ø3	4
17	50.01.471	Nozzle f. moistening	2
18	50.00.846	Union nut M12x13.2 N	2

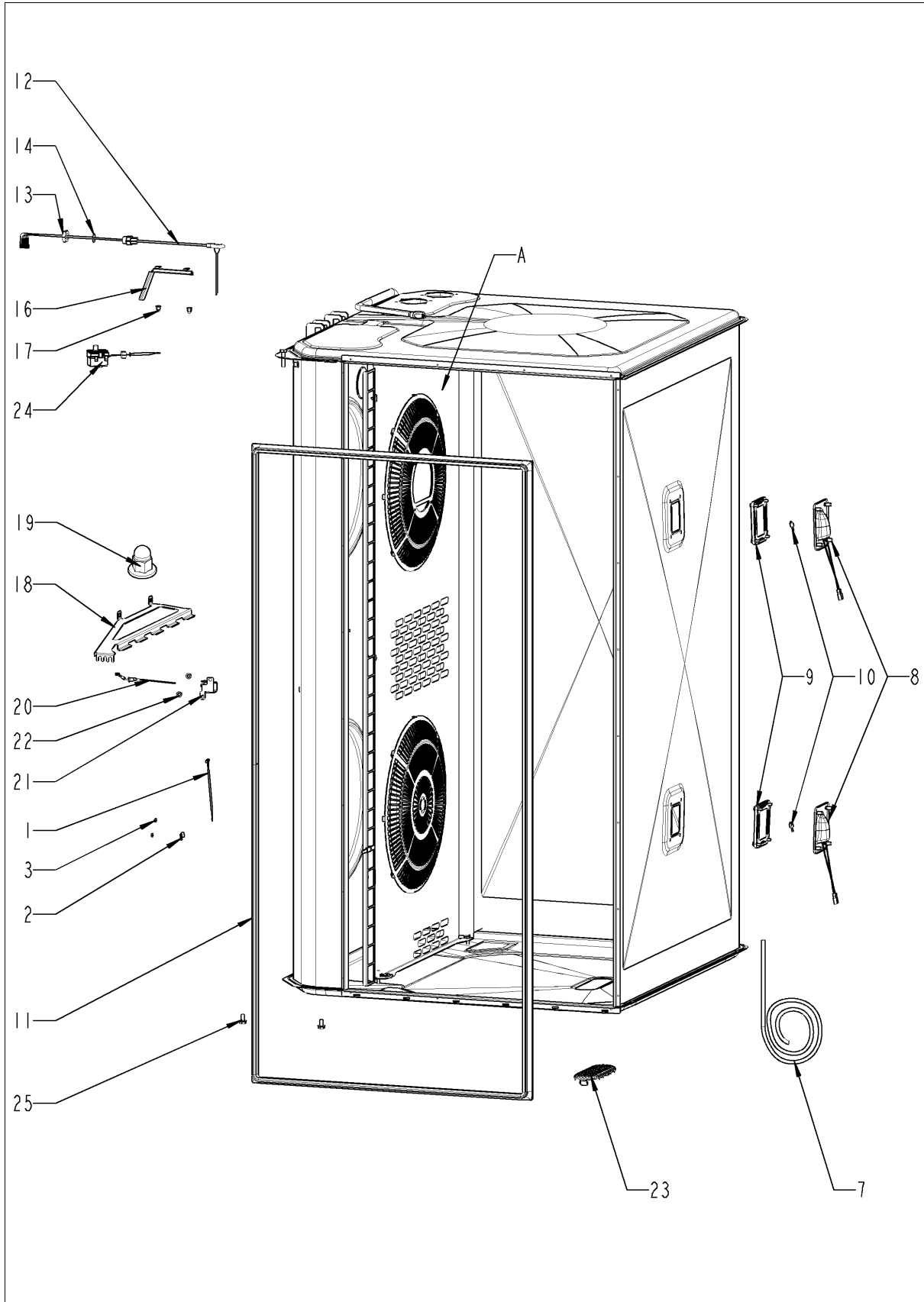
Motor and fan wheel



Motor and fan wheel

Pos.	Part No.	Description	Qty.
1	40.03.513	Fan motor	1
2	40.03.513	Fan motor	1
3	10.01.049	Square necked mushroom head bolt 6x30	8
4	10.00.709	Hex nut M6 w. locking	4
5	22.00.721	Flange f. motor shaft gasket	2
6	22.00.722	Mounting support f. gasket flange	2
7	22.00.083	Motor shaft gasket	2
8	20.01.755	Isolation for mounting plate for motor	2
9	10.01.065	Hex nut M5	6
10	22.00.829	Fan wheel	2
11	10.00.565	Hex screw M8x20	2
12	1308.0162	Washer A8,4	2
13	10.00.111	Cable clip long	3
14	20.01.411	Bushing for motor mounting bar	8

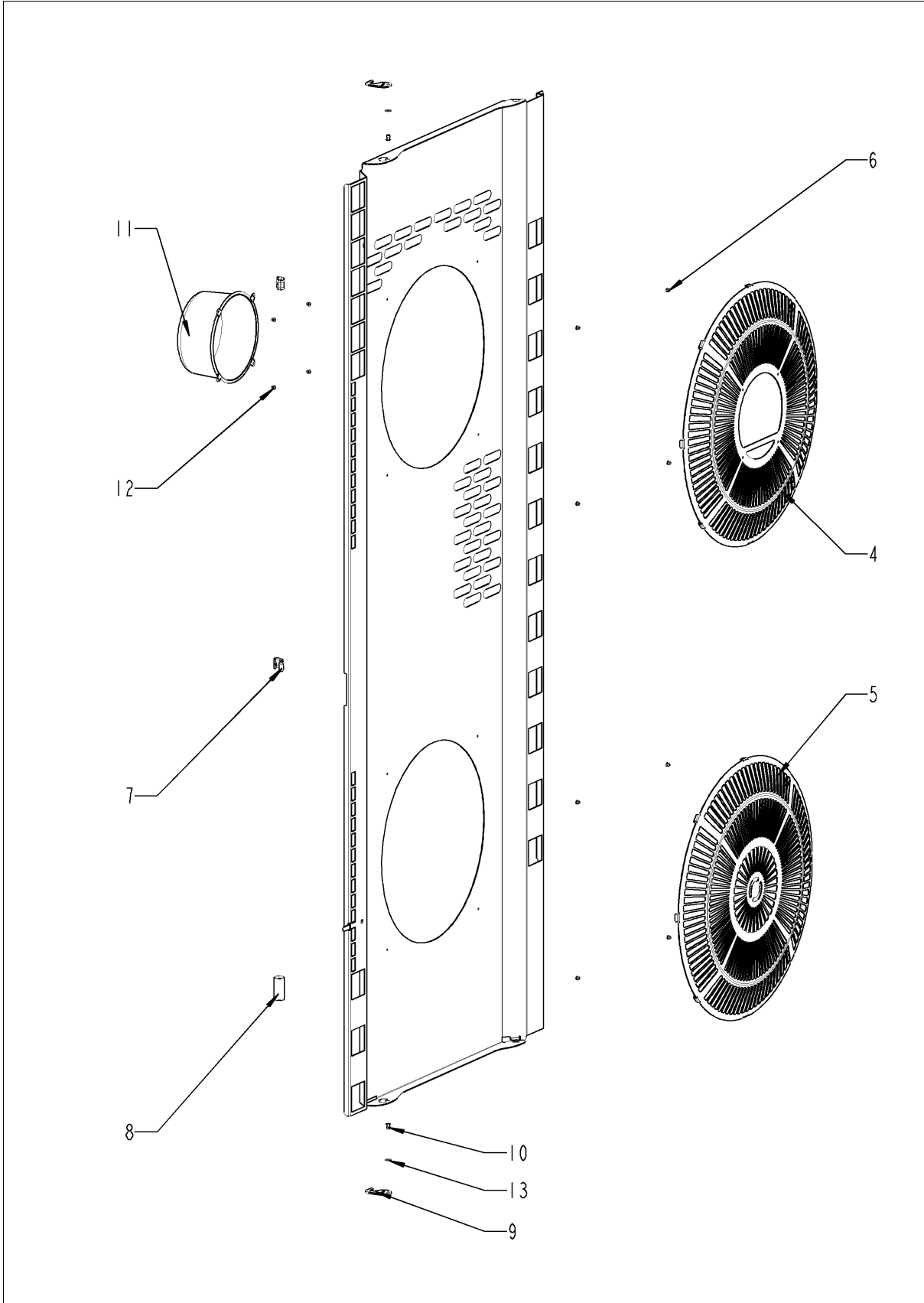
Interior cabinet



Interior cabinet

Pos.	Part No.	Description	Qty.
1	40.00.399	Thermocouple humidity	1
2	10.00.087	Clamp strap f. sensor	1
3	10.00.100	Hex nut M4, self-locking	1
7	40.03.532	Wiring interior light	1
8	40.00.098	Reflector f. interior light	2
9	40.00.091	Gasket frame w. glass a. gaskets	2
10	3024.0201	Halogen bulb 300°C	1
10	3024.0201	Halogen bulb 300°C	1
11	20.00.399	Door gasket	1
12	40.02.101	Meat probe sensor	1
13	10.00.612	Hex nut M16 flat	1
14	1315.0104	Copper washer 16x20x1,5	1
16	40.01.317	Screen core temperature sensor	1
17	10.01.076	Cap nut M5*A2	2
18	22.00.780	Air baffle support	1
19	10.01.076	Cap nut M5*A2	4
20	40.03.528	Thermocouple interior cabinet B1	1
21	40.03.782	Screen interior cabinet sensor	1
22	10.01.076	Cap nut M5*A2	2
23	54.01.117	Outlet sieve	1
24	40.01.482	Safety temperature limiter 365°C	1
25	3014.0327	Hex nut M10x1,0	1
A	22.00.750	Air baffle	1

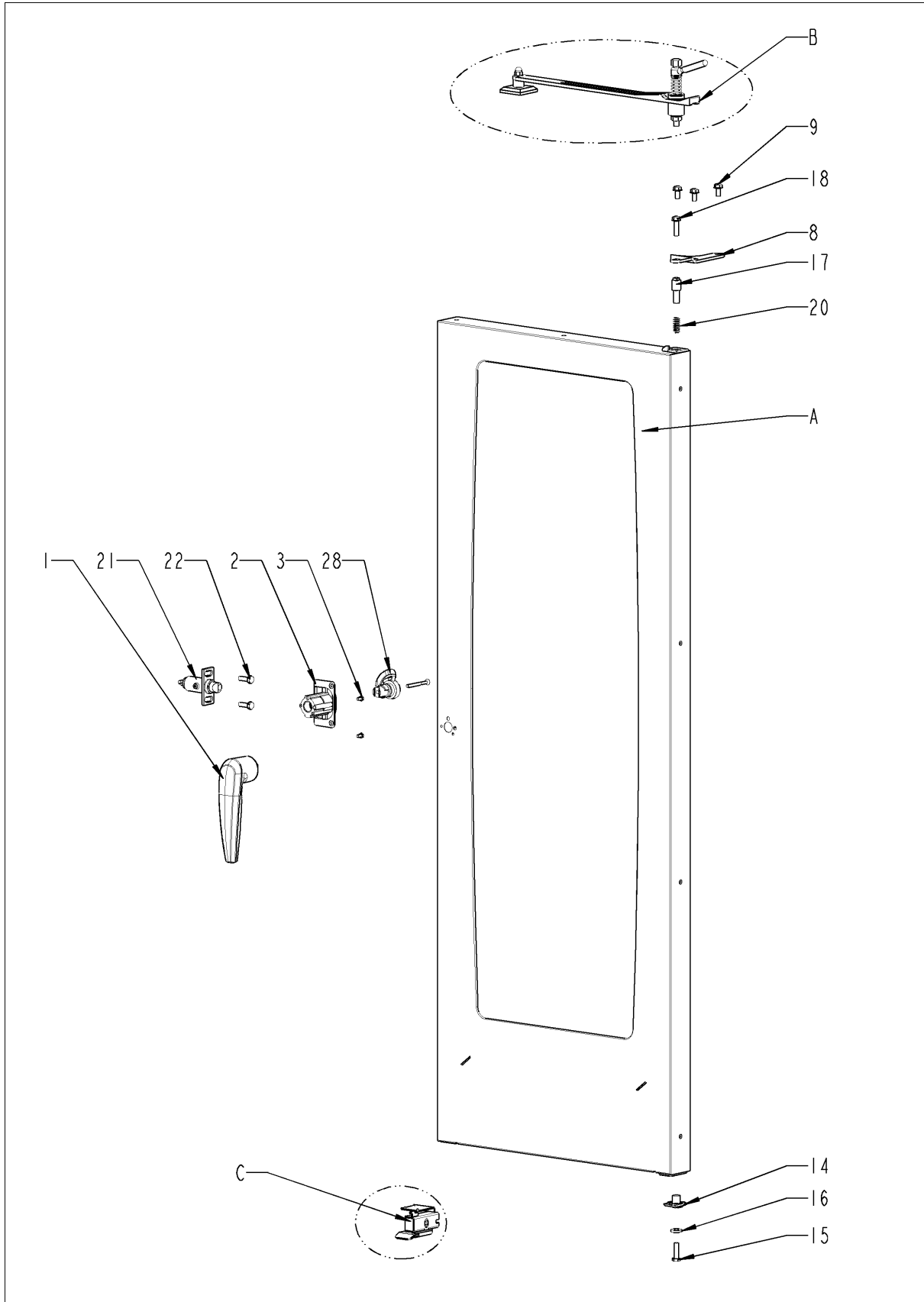
Air baffle



Air baffle

Pos.	Part No.	Description	Qty.
4	22.00.730	Hand protection	1
5	22.00.734	Hand protection	1
6	10.00.515	Rivet 3,2x5 A4	8
7	40.03.780	Fixing clip core temp. cable	3
8	22.00.491	Surge guard for Meat probe sensor	1
9	2760.1370	Latch hook for air baffle	2
10	1604.0167	Rivet 4x10	3
11	22.00.361	Deep-draw f. air baffle	1
12	10.00.515	Rivet 3,2x5 A4	4
13	10.00.744	Washer A4,3 *A4	1

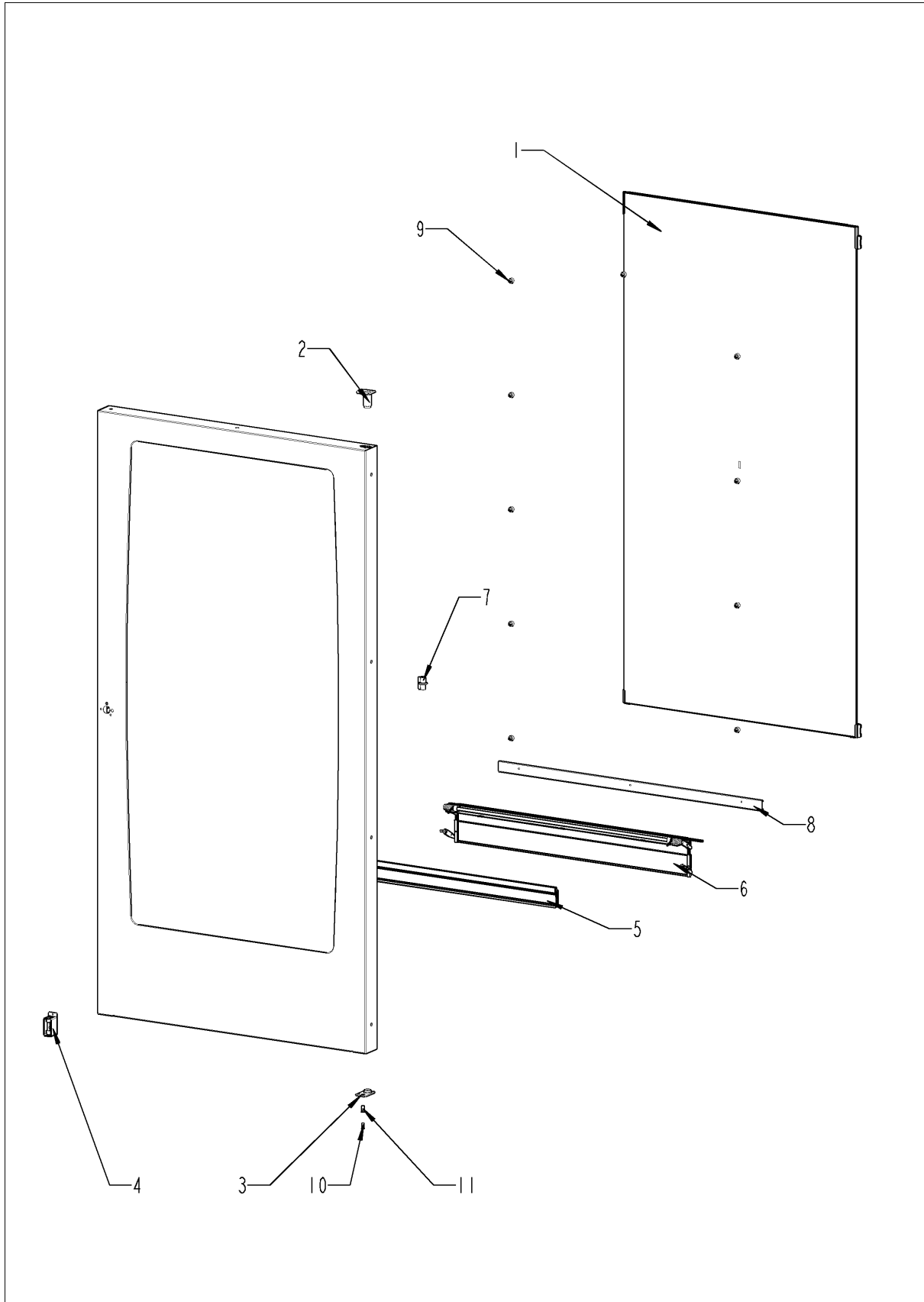
Door



Door

Pos.	Part No.	Description	Qty.
1	24.00.136	Door handle	1
2	24.01.350	Door lock	1
3	10.00.697	Hex screw M5x10 w. precoat 85	2
4	1305.0160	Washer A5,3x10mm	2
5	10.00.090	Cap f. Torx T30	1
7	10.00.696	Allen screw M4x6 w. Precoat 85	2
8	24.00.133	Door mounting support top	1
9	1008.0768	Ornamental screw M8x16	3
14	24.00.145	Door bolt	1
15	1008.0766	Hex screw M8x30	1
16	1308.0162	Washer A8,4	1
17	24.00.048	Door bolt	1
18	1008.0769	Ornamental screw M8x30	1
20	2001.0109	Compression spring	1
21	24.01.351	Door catch	1
22	1008.0761	Hex screw M8x25	2
28	87.00.540	Door bolt cpl.	1
A	24.00.126	Door	1

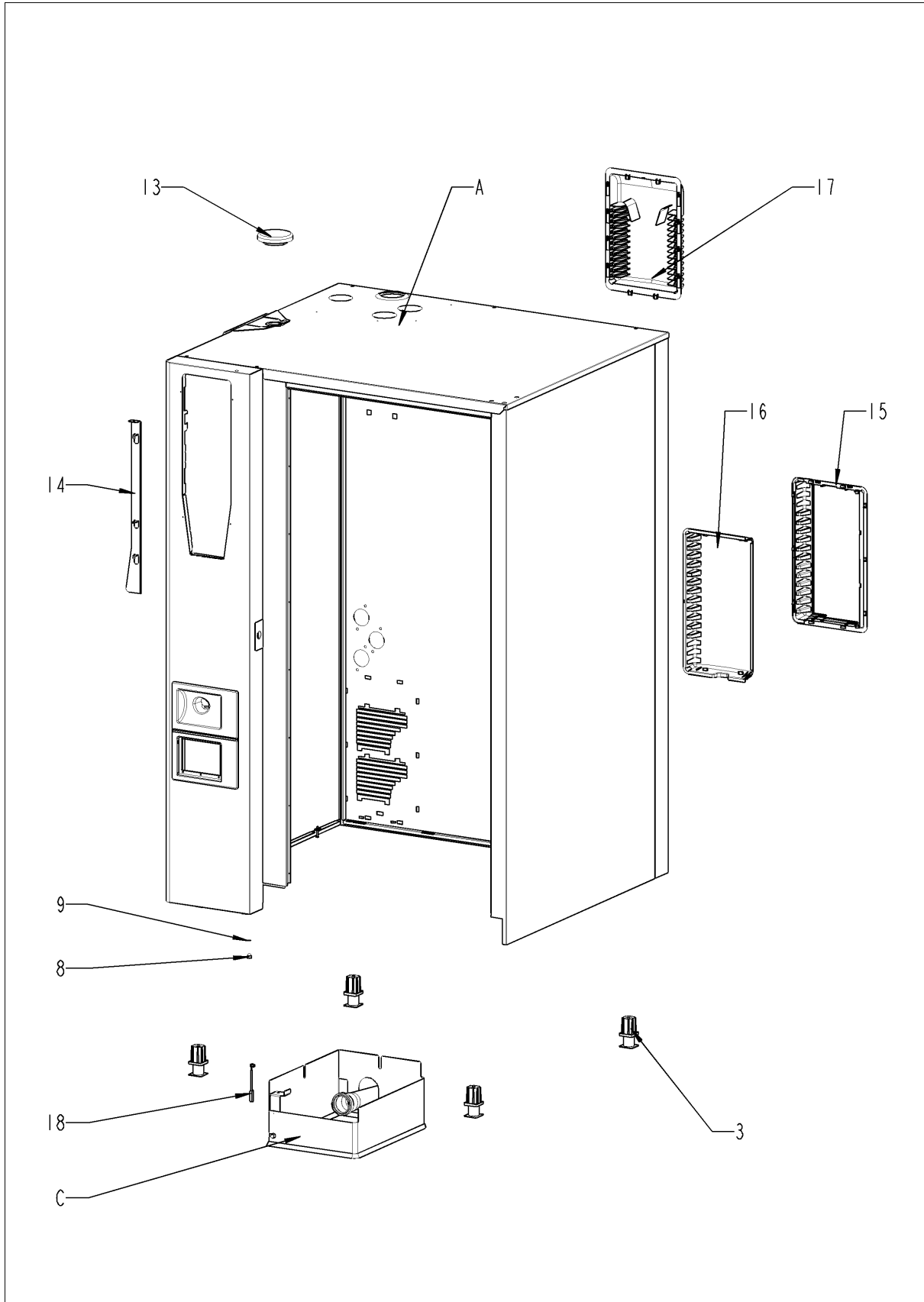
Door



Door

Pos.	Part No.	Description	Qty.
1	24.00.212	Inner glass pane	1
2	24.00.147	Sleeve for door bolt top	1
3	24.00.159	Door setting bolt	1
4	24.01.346	Fixing device f. magnet with magnet, adjustable	1
5	24.00.194	Gasket glass pane/trolley	1
6	24.00.178	Pre heat mechanism f. door cpl.	1
7	24.00.507	Fixing device middle f.inter. glass pane	1
8	24.00.701	Additional gasket f. trolley	1
9	24.01.259	Plastic buffer 8,1mm for door	1
10	1005.1966	Countersunk screw Torx M5x16	2
11	10.00.041	Rivet nut M5 hexagon closed	2

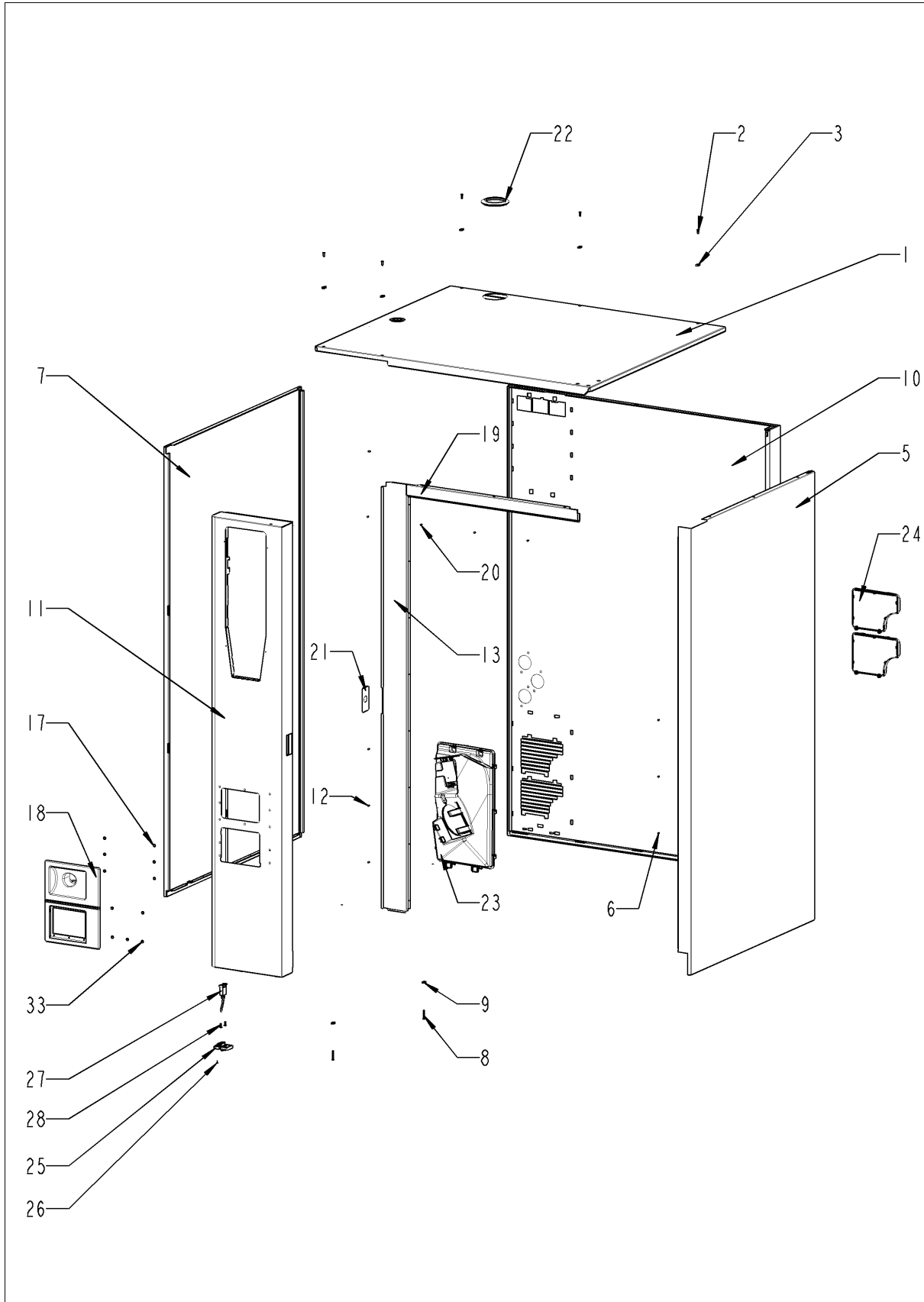
Exterior cabinet



Exterior cabinet

Pos.	Part No.	Description	Qty.
3	2039.0111	Foot adjustable, metal, 40 x 40	4
8	10.00.745	Cap nut M6*A2	1
9	1206.0120	Tooth lock washer A6,4	1
13	22.00.767	Vent cover	1
14	16.01.965	Opening mechanism for panel insert	1
15	40.03.385	Frame for air inlet filter	1
16	40.03.392	Cover for air inlet filter	1
17	40.03.366	Cover air outlet	1
18	40.00.454	Door switch 1.65m	1
A		Exterior cabinet	1
C	12.01.142	NSF housing floor units 201-202	1

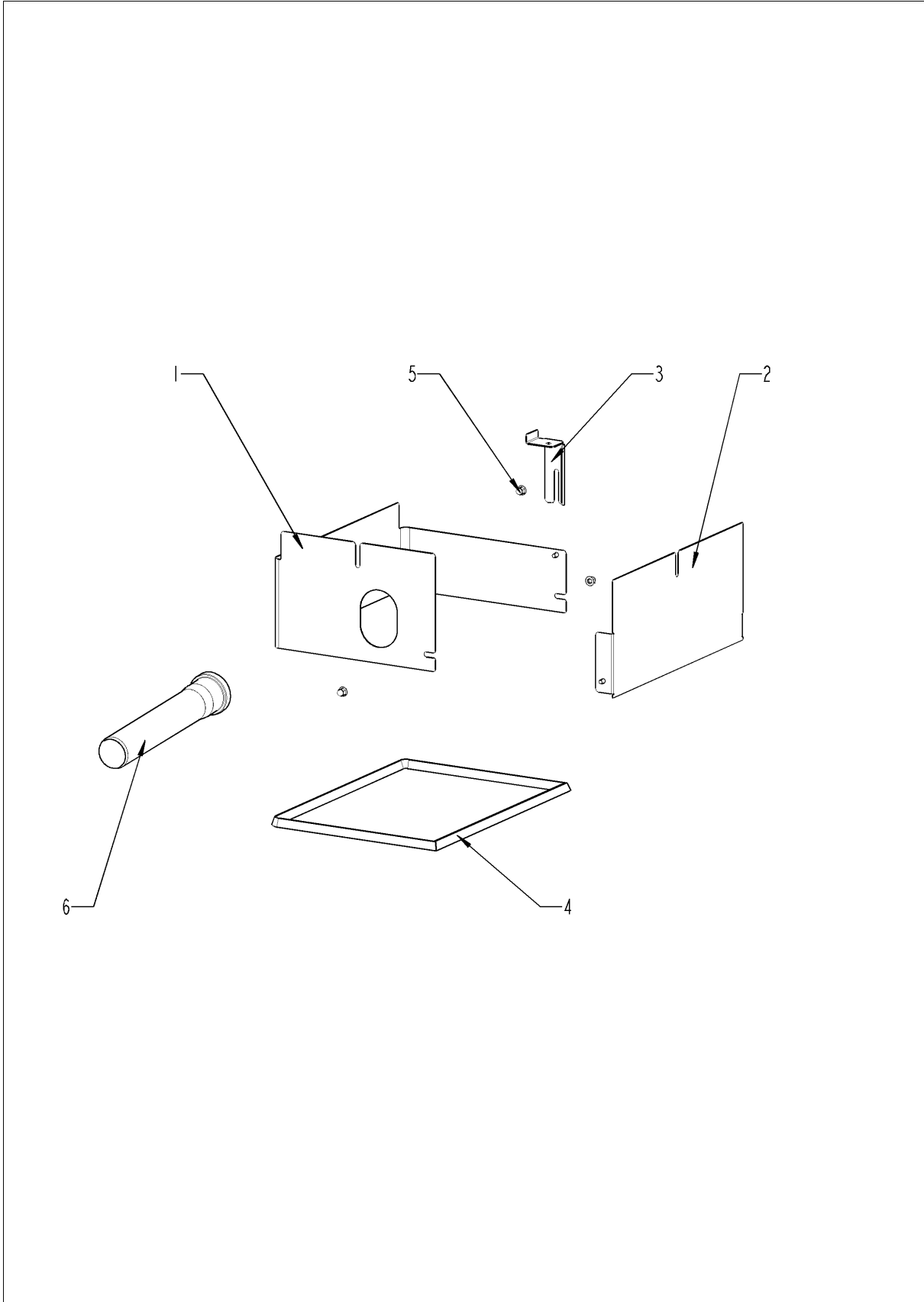
Exterior cabinet



Exterior cabinet

Pos.	Part No.	Description	Qty.
1	16.02.167	Top cover	1
2	1003.2265	Countersunk self tapping screw 4,2x16	5
3	1104.0820	Snap nut 4,2mm	5
5	16.00.158	Side panel right	1
6	1603.0166	Rivet 3,2x7,9 CNS closed	8
7	16.00.139	Side panel left	1
8	10.00.992	Hex self tapping screw B4,2x32	2
9	1104.0820	Snap nut 4,2mm	2
10	16.01.842	Back panel	1
11	16.01.863	Front panel	1
12	1603.0166	Rivet 3,2x7,9 CNS closed	8
13	16.00.358	Crossbar front panel	1
14	10.00.745	Cap nut M6*A2	2
18	16.01.942	Tulip for handshower	1
19	16.00.331	Crossbar top	1
20	1603.0166	Rivet 3,2x7,9 CNS closed	4
21	24.02.263	Cover for door latch	1
22	16.01.579	Gasket f. breather tube d=79mm	1
23	40.03.262	Fan housing	1
24	40.02.684	Air inlet filter cpl.	2
25	16.00.329	Cover f. USB interface	1
26	10.00.103	EJOT PT-screw KA 3.5x10	1
27	40.04.047	Interface cable USB 1.6m	1
28	10.00.460	EJOT PT-Screw Torx 3,5x14	2
33	1107.0100	Star lock ø4	12

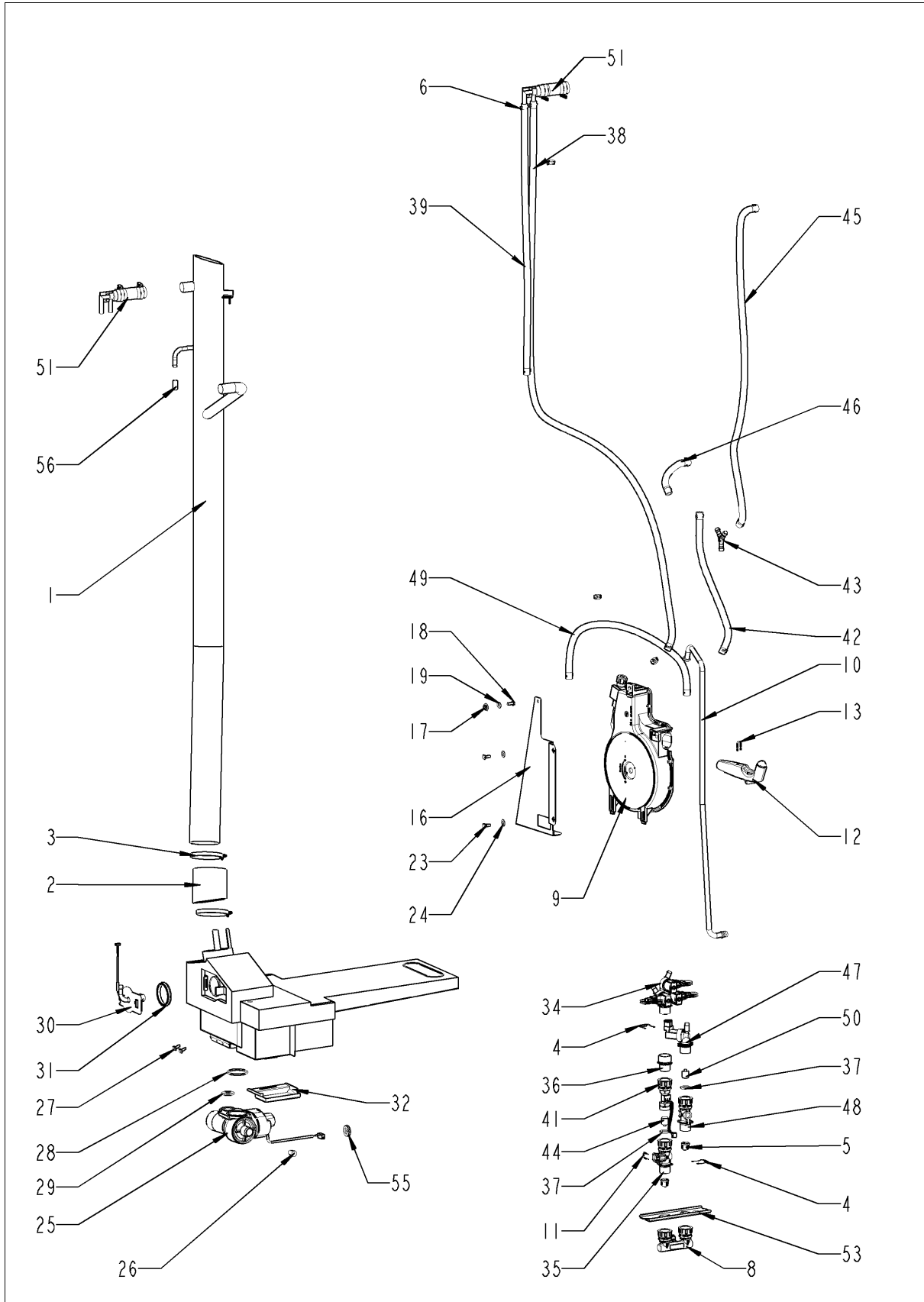
NSF housing floor units 201-202



NSF housing floor units 201-202

Pos.	Part No.	Description	Qty.
1	12.01.153	NSF housing right floor units 201-202	1
2	12.01.154	NSF housing left floor units 201-202	1
3	12.01.151	Fixing angle NSF housing floor units 201-202	1
4	12.01.140	Gasket NSF housing floor units 201-202	1
5	10.00.745	Cap nut M6*A2	3
6	2070.0054	HT pipe, DN 50, 250 mm	1

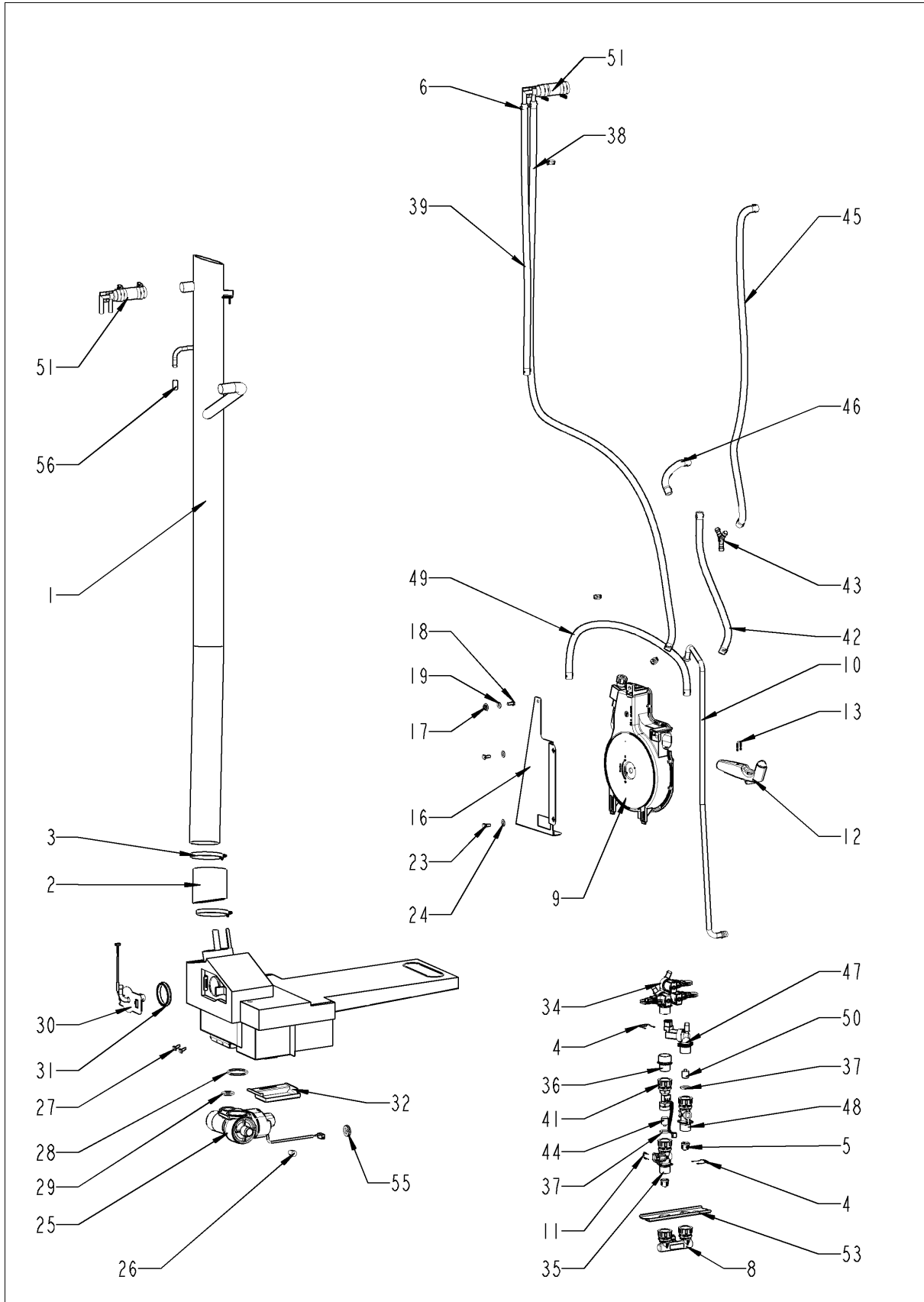
Water



Water

Pos.	Part No.	Description	Qty.
1	54.00.984	Ventilation pipe	1
2	54.01.045	Hose 76x5mm	1
3	2066.0505	Hose clamp 70-90mm	2
6	2066.0205	Hose clamp 8-16x9 mm SW 7mm	3
8	8664.1301	T-fitting water connection	1
9	50.01.239	Hand shower roll guide *lead free*	1
10	50.01.213	Connect. pipe f. hand shower roll guide	1
10	50.01.373	Connect. pipe f. hand shower roll guide	1
11	50.00.085	Plug-in spring f. hand shower roll guide	1
12	50.00.130	Hand shower	1
13	50.00.156	Clamp f. hand shower roll guide	1
16	50.00.278	Mounting device f. hand sh. roll guide	1
17	1106.0803	Hex combination nut M6 galv	1
18	1006.0760	Hex screw M6x16	1
19	1306.0222	Washer A6,4x15x1,5	1
20	50.00.548	Hose ø10x2x500 f. hand shower	1
21	2066.0527	Hose clamp ø14mm	1
22	10.00.661	Edge protection profile	1
23	10.00.099	Hex screw M8x12	2
24	1308.0160	Washer A8,4	2
25	54.01.291	Ball valve drain SCC cpl.	1
26	10.00.369	Plug cone shaped	1
27	10.00.449	Pan head screw M6x16	2
28	10.00.511	O-ring for ball valve drain 46x3.5	1
29	10.00.512	O-ring for ball valve drain 26x3.5	1
30	54.01.254	Inspection lid, quenching nozzle, B2	1
31	54.01.168	Gasket f. inspection lid quenching	1
32	54.01.191	Collecting pan	1
33	10.00.745	Cap nut M6*A2	1
34	50.01.050	Triple solenoid valve	1
35	50.00.072	Water distribution vert roll guide con.	1
36	2062.0333	Housing for non returne valve	1
37	5110.1024	Gasket for G3/4" threaded joint	1
38	2067.0050	Pressure hose d10mm	2.08
39	2067.0050	Pressure hose d10mm	.91
41	50.01.195	Water volume sensor with wire	1

Water



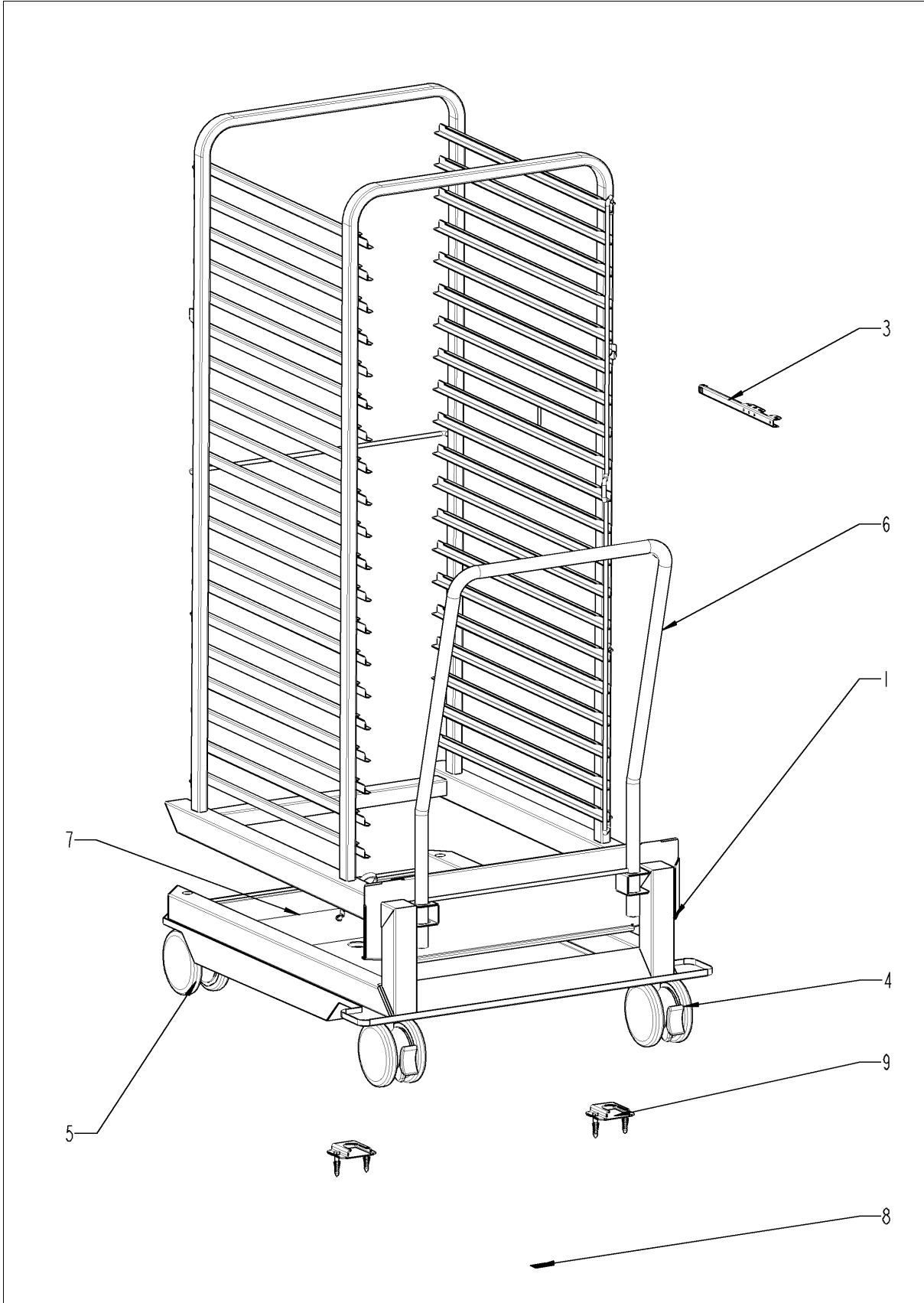
Water

Pos.	Part No.	Description	Qty.
42	2067.0050	Pressure hose d10mm	.115
43	2062.0303	Y-fitting YS10	1
44	2069.0107	Non return valve DN6 steam generator	1
45	2067.0050	Pressure hose d10mm	1.3
46	2067.0050	Pressure hose d10mm	.52
47	50.01.146	Single solenoid valve	1
48	50.00.073	Water distribution vert w/o roll guide con.	1
49	2067.0050	Pressure hose d10mm	1.34
50	50.00.078	Non return valve DW16/DN12	2
51	8354.1304	Venting valve for steam generator	1
52	1900.0202	Water filter	3
53	50.01.543	Mounting device f. water distribution	1
54	50.00.086	Locking plate f. water distribution	2
55	2022.0101	Grommet d8mm	1
56	10.00.991	Sealing cap	1

CleanJet + Care

Pos.	Part No.	Description	Qty.
1	56.00.186	Pump f. cleaning UP30	1
2	12.00.897	Housing f. Cleaning pump	1
3	1004.0666	Hex screw M4x10	1
4	56.00.175	Pressure hose f. cleaning	1
5	2066.0518	Hose clamp 30mm	1
6	2066.0521	Hose clamp 27mm	1
7	56.00.176	Suction hose f. cleaning	1
8	2066.0518	Hose clamp 30mm	2
11	10.00.980	EJOT PT-Screw K30x10	5
12	56.00.507	Care container floor unit	1
13	56.00.462	Bushing care container/pump	1
14	10.00.984	Hose clamp CLIC d=27.5mm	2
15	56.00.460	Pump f. CareControl DPS 35	1
16	56.00.541	Care hose 1	1
17	2066.0518	Hose clamp 30mm	1
21	56.00.537	Pipe f. Care hose	1
22	10.00.983	Hose clamp CLIC d=23mm	1
23	56.00.420	Care hose 2	1
24	10.00.605	Hose clamp ø25.3	1
25	10.00.979	Cable clamp D=22	1
26	10.00.916	Hex nut M4 w. locking	1
27	1004.0666	Hex screw M4x10	2
28	1204.0120	Tooth lock washer A4,3	2
29	56.00.512	Flap Care container	1
34	12.00.291	Mounting for housing of Cleaning pump	1
35	2067.0050	Pressure hose d10mm	1.2
37	56.00.373	Emergency overflow-tube	1
38	10.00.605	Hose clamp ø25.3	1

Standard accessory



Standard accessory

Pos.	Part No.	Description	Qty.
1	60.22.086V	Mobile oven rack type 202	1
4	60.60.100	Castor with brake ø125mm	1
5	60.60.101	Castor without brake ø125mm	1
6	60.22.072	Handle for mobile oven rack	1
7	60.22.223	Drip collector	1
8	10.01.197	Sticker set	1
9	8700.0317	Floor fixing for units	1
10	60.71.380	Water connection kit, floor unit E/USA	1
10	60.71.380	Water connection kit, floor unit E/USA	1
11	60.72.406	Holder for handle mobile oven rack Type 202	1

Index

Part-no.	Description	Page
24.00.701	Additional gasket f. trolley	27
22.00.750	Air baffle	21
22.00.780	Air baffle support	21
40.02.684	Air inlet filter cpl.	31
22.00.916	Air inlet pipe	11
10.00.696	Allen screw M4x6 w. Precoat 85	25
40.02.798	Auxilliary contact B&J HKA11 N/O-N/C	9
16.01.842	Back panel	31
54.01.291	Ball valve drain SCC cpl.	35
40.03.999	Bus cable 1.5m	7
40.03.998	Bus cable 1.15m	7
56.00.462	Bushing care container/pump	39
20.01.411	Bushing for motor mounting bar	19
10.00.979	Cable clamp D=22	39
10.00.111	Cable clip long	11, 19
40.03.982	Cable clock switch USA	9
40.03.487	Cable contactor-SSR	9
40.03.486	Cable control harness	9
40.03.516	Cable MMI - CPU	5
40.03.515	Cable MMI - TFT	5
40.03.467	Cable On-Off switch MMI	5
10.00.414	Cable strap black 120°	13
10.00.090	Cap f. Torx T30	25
10.01.076	Cap nut M5*A2	17, 21
10.00.745	Cap nut M6*A2	29, 31, 33, 35
56.00.507	Care container floor unit	39
56.00.541	Care hose 1	39
56.00.420	Care hose 2	39
60.60.100	Castor with brake ø125mm	41
60.60.101	Castor without brake ø125mm	41
50.00.156	Clamp f. hand shower roll guide	35
10.00.087	Clamp strap f. sensor	21

Index

Part-no.	Description	Page
54.01.191	Collecting pan	35
2001.0109	Compression spring	25
50.01.213	Connect. pipe f. hand shower roll guide	35
50.01.373	Connect. pipe f. hand shower roll guide	35
40.02.696	Contacto assembly	9
40.04.008	Contacto B&J K3-176A00 230	9
87.01.005	Control panel insert with overlay *RAT*	5
42.00.080	Control pcb *Sicotronic*	7
42.00.112	Control pcb *TFT*	5
40.03.348	Control transformer T1	9
40.03.985	Cooling fan	7
40.03.425	Cooling fan	7
1315.0104	Copper washer 16x20x1,5	21
1005.1966	Countersunk screw Torx M5x16	27
1003.2265	Countersunk self tapping screw 4,2x16	31
40.03.366	Cover air outlet	29
16.01.910	Cover f. control pcb w. gasket	5
16.00.329	Cover f. USB interface	31
40.03.392	Cover for air inlet filter	29
24.02.263	Cover for door latch	31
40.04.122	Cover for Fuse *UL*	9
16.00.358	Crossbar front panel	31
16.00.331	Crossbar top	31
22.00.361	Deep-draw f. air baffle	23
16.02.062	Dial f. pulse generator	5
24.00.126	Door	25
24.00.145	Door bolt	25
24.00.048	Door bolt	25
87.00.540	Door bolt cpl.	25
24.01.351	Door catch	25
20.00.399	Door gasket.....	21
24.00.136	Door handle	25

Index

Part-no.	Description	Page
24.01.350	Door lock	25
24.00.133	Door mounting support top	25
24.00.159	Door setting bolt	27
40.00.454	Door switch 1.65m	29
22.00.958	Drain hose for humidity control	11
44.01.224	Drain hose steam generator	13
60.22.223	Drip collector	41
40.01.329	Dry up protector 183°	9
40.01.610	Earth terminal 20 WKN 70SL/U	9
40.03.728	Earth terminal WKN 16SL/U	9
10.00.661	Edge protection profile	35
10.00.980	EJOT PT-Screw K30x10	39
10.00.103	EJOT PT-screw KA 3.5x10	31
10.00.460	EJOT PT-Screw Torx 3,5x14	31
56.00.373	Emergency overflow-tube	39
44.00.207	Emptying pump	13
4001.1203	End plate for mounting rail	9
40.03.262	Fan housing	31
40.03.513	Fan motor	19
22.00.829	Fan wheel	19
44.01.408	Filling level electrode 90 mm	13
12.01.151	Fixing angle NSF housing floor units 201-202	33
44.01.168	Fixing angle steam generator	13
44.01.181	Fixing angle steam generator	13
40.03.780	Fixing clip core temp. cable	23
40.03.756	Fixing clip f. pcb	7
40.03.533	Fixing clip f. pcb	7
24.01.346	Fixing device f. magnet with magnet, adjustable	27
44.00.232	Fixing device f. pump steam generator	13
24.00.507	Fixing device middle f.inter. glass pane	27
22.00.721	Flange f. motor shaft gasket	19
56.00.512	Flap Care container	39

Index

Part-no.	Description	Page
8700.0317	Floor fixing for units	41
2039.0111	Foot adjustable, metal, 40 x 40	29
40.03.385	Frame for air inlet filter	29
16.01.863	Front panel	31
4001.0224	Fuse 6.35x32mm	9
40.01.487	Fuse holder 2pol	9
40.02.512	Fuse holder 2x6.3A	9
40.01.489	Fuse holder 3pol 60A	9
4001.0217	Fuse SC 60A	9
40.01.588	Fuse SC-8A 10x38	9
16.01.579	Gasket f. breather tube d=79mm	31
40.03.416	Gasket f. heating assembly	17
44.00.279	Gasket f. heating element	13
44.00.280	Gasket f. heating element+Level elektrode insert	13
22.00.881	Gasket f. hum. meas. Pipe	11
54.01.168	Gasket f. inspection lid quenching	35
5110.1024	Gasket for G3/4" threaded joint	35
40.00.091	Gasket frame w. glass a. gaskets	21
24.00.194	Gasket glass pane/trolley	27
12.01.140	Gasket NSF housing floor units 201-202	33
2022.0101	Grommet d8mm	37
3024.0201	Halogen bulb 300°C	21
22.00.730	Hand protection	23
22.00.734	Hand protection	23
50.00.130	Hand shower	35
50.01.239	Hand shower roll guide *lead free*	35
60.22.072	Handle for mobile oven rack	41
40.03.537	Heat sink 3 SSR	7
40.03.658	Heating assembly	17
44.01.350	Heating element	13
1104.0122	Hex combination nut M4 galv	11, 13
1106.0803	Hex combination nut M6 galv	35

Index

Part-no.	Description	Page
1104.0121	Hex nut M4 self locking	7
10.00.916	Hex nut M4 w. locking	39
10.00.100	Hex nut M4, self-locking	21
10.01.065	Hex nut M5	9, 19
10.00.709	Hex nut M6 w. locking	9, 13, 19
3014.0302	Hex nut M10 for dry-up protector	9
3014.0327	Hex nut M10x1,0	9, 21
10.00.612	Hex nut M16 flat	21
1004.0666	Hex screw M4x10	39
10.00.697	Hex screw M5x10 w. precoat 85	25
10.00.109	Hex screw M5x23	17
1006.0762	Hex screw M6x10	13
1006.0760	Hex screw M6x16	35
10.00.099	Hex screw M8x12	35
10.00.565	Hex screw M8x20	19
1008.0761	Hex screw M8x25	25
1008.0766	Hex screw M8x30	25
10.00.992	Hex self tapping screw B4,2x32	31
60.72.406	Holder for handle mobile oven rack Type 202	41
54.01.045	Hose 76x5mm	35
2066.0205	Hose clamp 8-16x9 mm SW 7mm	35
2066.0521	Hose clamp 27mm	39
2066.0518	Hose clamp 30mm	13, 39
2066.0519	Hose clamp 35,6mm	13
2066.0516	Hose clamp 60-80 mm	13
2066.0505	Hose clamp 70-90mm	35
10.00.983	Hose clamp CLIC d=23mm	39
10.00.984	Hose clamp CLIC d=27.5mm	39
2066.0527	Hose clamp ø14mm	11, 15, 35
2066.0530	Hose clamp ø16.4mm	15
10.00.605	Hose clamp ø25.3	39
2066.0526	Hose clamp ø46mm	13

Index

Part-no.	Description	Page
22.00.525	Hose set f. humidity control	11
50.00.548	Hose ø10x2x500 f. hand shower	35
12.00.897	Housing f. Cleaning pump	39
2062.0333	Housing for non returne valve	35
2070.0054	HT pipe, DN 50, 250 mm	33
22.00.725	Humidity control cpl.	11
24.00.212	Inner glass pane	27
22.00.908	Inner humidity meas. Piece	11
54.01.254	Inspection lid, quenching nozzle, B2	35
40.04.047	Interface cable USB 1.6m	31
20.01.755	Isolation for mounting plate for motor	19
2062.0331	Junction pressure hose GS 10	15
2760.1370	Latch hook for air baffle	23
2920.1300	Level elektrode insert	13
50.00.086	Locking plate f. water distribution	37
40.03.989	Loudspeaker K 64 WPT	7
40.03.413	Mating flange f. heating assembly	17
40.02.101	Meat probe sensor	21
4007.0620	Membrane DGC 29	9
4007.0621	Membrane DGC 36	9
42.00.081	MMI pcb	5
60.22.086V	Mobile oven rack type 202	41
22.00.083	Motor shaft gasket	19
50.00.278	Mounting device f. hand sh. roll guide	35
22.00.882	Mounting device f. pressure sensor	11
50.01.543	Mounting device f. water distribution	37
40.03.393	Mounting device heat sink SSR	7
12.00.291	Mounting for housing of Cleaning pump	39
22.00.722	Mounting support f. gasket flange	19
40.03.524	Mounting support for fuse holder	9
40.03.960	Mounting support for fuse holder	9
40.03.423	Mounting support transformer	9

Index

Part-no.	Description	Page
2069.0107	Non return valve DN6 steam generator	37
50.00.078	Non return valve DW16/DN12	37
50.01.471	Nozzle f. moistening	17
12.01.142	NSF housing floor units 201-202	29
12.01.154	NSF housing left floor units 201-202	33
12.01.153	NSF housing right floor units 201-202	33
10.00.512	O-ring for ball valve drain 26x3.5	35
10.00.511	O-ring for ball valve drain 46x3.5	35
22.00.837	O-ring for humidity control	11
16.01.965	Opening mechanism for panel insert	29
1008.0768	Ornamental screw M8x16	25
1008.0769	Ornamental screw M8x30	25
22.00.850	Outer humidity meas. Piece	11
54.01.117	Outlet sieve	21
10.00.449	Pan head screw M6x16	35
10.00.507	Pan head screw Torx 5/16" T20	7
10.00.364	Pan head screw Torx M3x12	9
10.00.061	Pan head screw Torx T20 M4x12	7, 9
10.00.564	Pan head screw Torx T20 M4x45	7
56.00.537	Pipe f. Care hose	39
24.01.259	Plastic buffer 8,1mm for door	27
10.00.369	Plug cone shaped	35
50.00.085	Plug-in spring f. hand shower roll guide	35
24.00.178	Pre heat mechanism f. door cpl.	27
2067.0050	Pressure hose d10mm	35, 37, 39
56.00.175	Pressure hose f. cleaning	39
3017.1011	Pressure sensor for humidity control Huba 401	11
2005.0106	Protective grid for cooling fan	7
40.00.404	Pulse generator	5
2118.1000	Pump connection spout	15
8354.1320	Pump connection spout cpl.	13
56.00.460	Pump f. CareControl DPS 35	39

Index

Part-no.	Description	Page
56.00.186	Pump f. cleaning UP30	39
10.00.066	Raised countersunk head screw Torx T20 M4x16	9
40.00.098	Reflector f. interior light	21
10.00.515	Rivet 3,2x5 A4	23
1603.0166	Rivet 3,2x7,9 CNS closed	31
1604.0167	Rivet 4x10	23
10.00.041	Rivet nut M5 hexagon closed	27
40.01.482	Safety temperature limiter 365°C	9, 21
40.01.317	Screen core temperature sensor	21
40.03.782	Screen interior cabinet sensor	21
42.00.128	SD-memory card 4GB	7
10.00.991	Sealing cap	37
16.01.908	Sealing f. panel insert	5
16.00.139	Side panel left	31
16.00.158	Side panel right	31
2110.1008	Silicon hose ø10x2mm	15
50.01.146	Single solenoid valve	37
24.00.147	Sleeve for door bolt top	27
1104.0820	Snap nut 4,2mm	31
40.00.453	Solid state relais	7
10.00.243	Spacer M4x8	7
10.01.049	Square necked mushroom head bolt 6x30	19
1107.0103	Star lock ø3	17
1107.0100	Star lock ø4	31
44.00.947	Steam generator insulated	13
44.00.362	Steam hose 70x5	13
10.01.197	Sticker set	41
2120.1259	Stop plug 10mm	15
56.00.176	Suction hose f. cleaning	39
22.00.491	Surge guard for Meat probe sensor	23
8664.1301	T-fitting water connection	35
40.01.611	Terminal block grey WKN 70/U	9

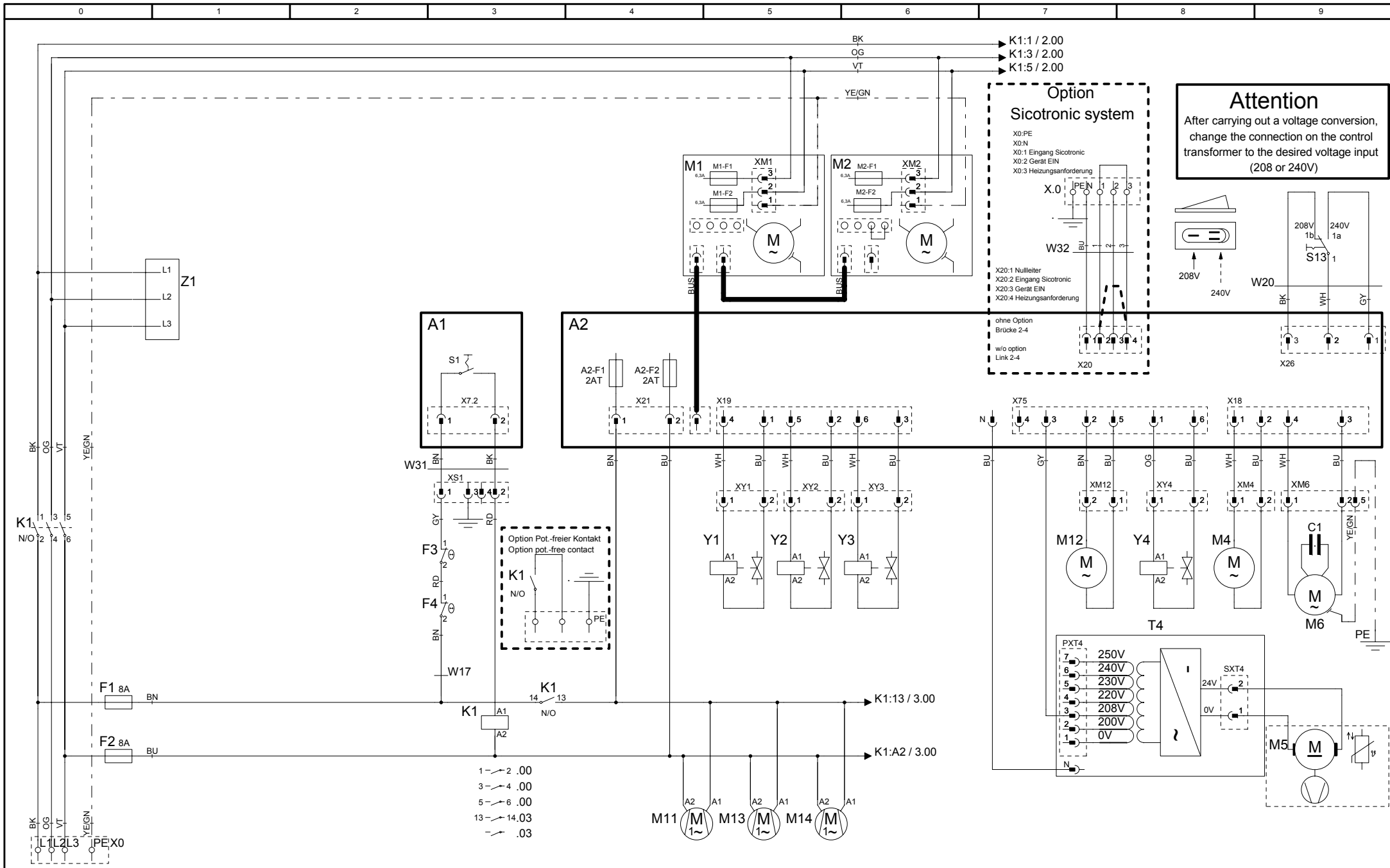
Index

Part-no.	Description	Page
40.01.609	Terminal block grey WKN 150/U	9
40.00.399	Thermocouple humidity	21
40.03.528	Thermocouple interior cabinet B1	21
40.04.107	Thermocouple steam generator *B5*	13
4005.0101	Tie rap 145 mm	15
1204.0120	Tooth lock washer A4,3	7, 39
1206.0120	Tooth lock washer A6,4	29
16.02.167	Top cover	31
40.03.984	Transformer f. cooling fan	7
50.01.050	Triple solenoid valve	35
16.01.942	Tulip for handshower	31
50.00.846	Union nut M12x13.2 N	17
40.02.425	Varistor	9
22.00.767	Vent cover	11, 29
54.00.984	Ventilation pipe	35
8354.1304	Venting valve for steam generator	37
10.00.744	Washer A4,3 *A4	9, 23
1305.0160	Washer A5,3x10mm	25
1306.0222	Washer A6,4x15x1,5	13, 35
1308.0162	Washer A8,4	19, 25
1308.0160	Washer A8,4	35
60.71.380	Water connection kit, floor unit E/USA	41
50.00.072	Water distribution vert roll guide con.	35
50.00.073	Water distribution vert w/o roll guide con.	37
1900.0202	Water filter	37
50.01.195	Water volume sensor with wire	35
40.03.532	Wiring interior light	21
2062.0303	Y-fitting YS10	37

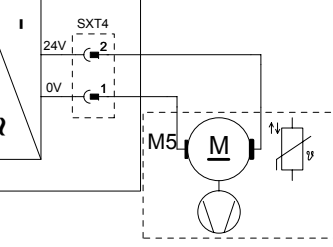
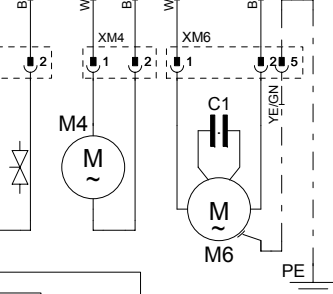
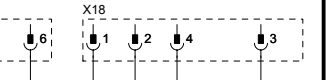
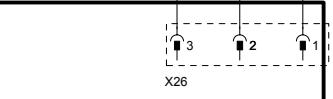
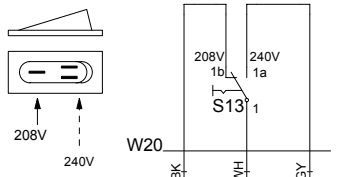
Deckblatt Elektrische Dokumentation, Cover sheet electrical Documentation

Die Elektrische Dokumentation besteht aus: 1. diesem Deckblatt, 2. dem Schaltplan und 3. der Legende der elektrischen Bauteile
The electric documentation contains: 1. this cover sheet, 2. the wiring diagram and 3. the bill of material (BOM)

Deckblatt-Nr. Front Page No.	75-21217	Version	1
Typ / Type	SCC WE 202E		
Schaltplan Wiring diagram	76-00496	Version	1
Spannung (SPL) Voltage	3AC208 V 60 Hz		
Legende Legend electr. components	78-00741	Version	1
Geräteserialnr. Serial number	E22SH1102	Version	1102
Erstellt am Created at	Jul 19, 2011 9:00 AM	Ersteller Creator	SCHD
Gültig ab Valid from	Aug 30, 2011 3:30 PM	Änderung Modification	



Attention
 After carrying out a voltage conversion,
 change the connection on the control
 transformer to the desired voltage input
 (208 or 240V)



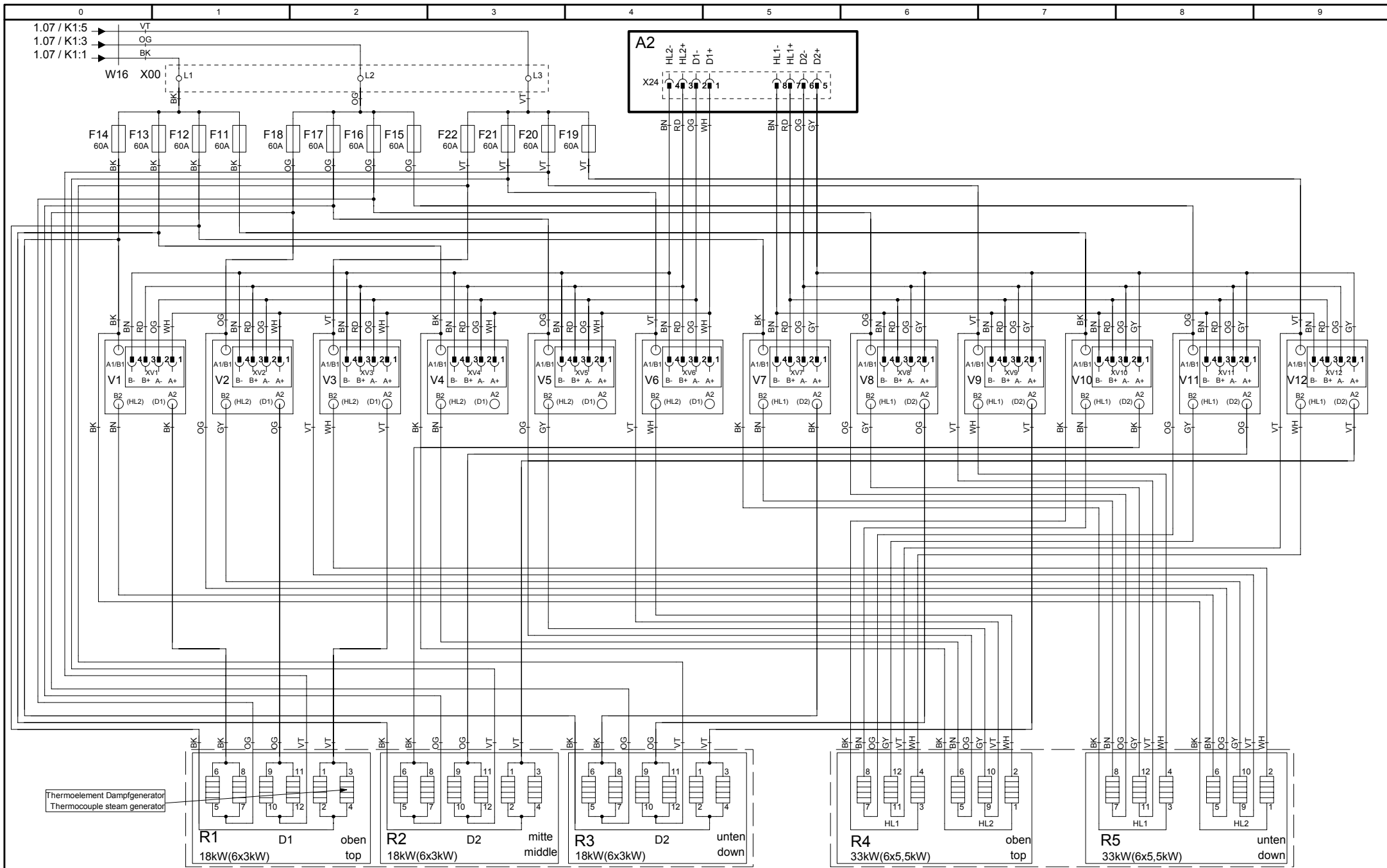
- 1 → 2 .00
- 3 → 4 .00
- 5 → 6 .00
- 13 → 14.03
- → .03

76-00496	
Version	1

MODUL 1	
Leistung/Power	

SCC WE 202E-UL	
3AC208 V 60 Hz	

Erstellt von	SCHD
Created by	
Datum	05.10.2011
Date	
Blatt	
Page	1



76-00496

MODUL 2
Heizung/Heating

SCC WE 202E-UL

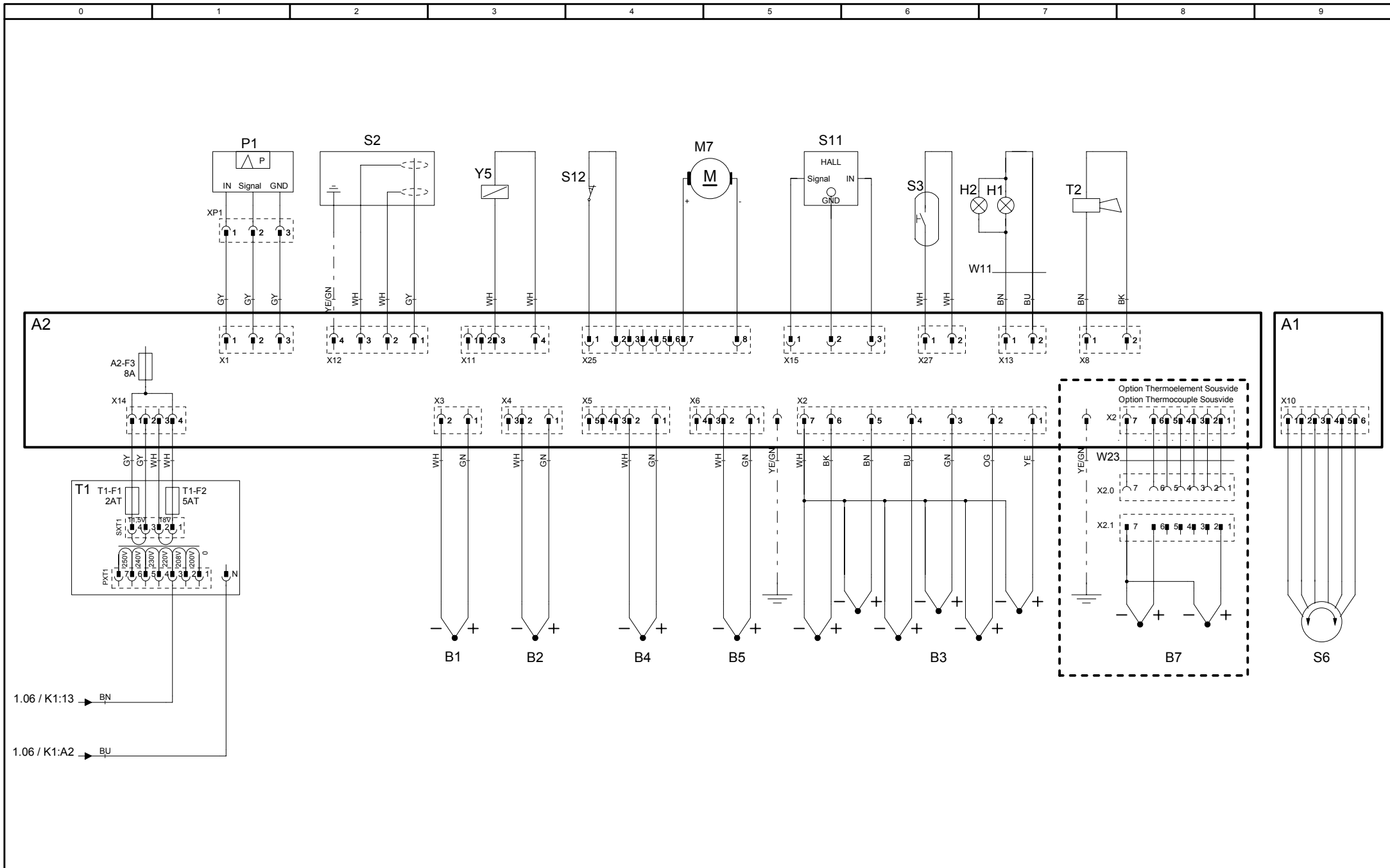
Erstellt von SCHD
Created by
Datum 05.10.2011
Date
Blatt
Page

Version

1

3AC208 V 60 Hz

2



1.06 / K1:13 → BN

1.06 / K1:A2 → BU

76-00496	MODUL 3 Sensoren/Sensors	SCC WE 202E-UL	Erstellt von Created by	SCHD
Version 1		3AC208 V 60 Hz	Datum Date	05.10.2011
			Blatt Page	3

Positionsliste**Bill of material**

Name Name	Artikelnr. Item number	Artikelbezeichnung	Item description	Module Modul
-A1	42.00.081	Interface Platine	Interface PCB	Modul 1
-A2	42.00.080	CPU SCC WE	CPU SCC WE	Modul 1
-A2-F1/F2	3019.0120	Sicherung A2 - 2AT	Fuse A2 - 2AT	Modul 1
-A2-F3	3019.0312	Sicherung A2 - 8AT	Fuse A2 - 8AT	Modul 3
-B1	40.03.528	Thermoelement Garraum	Thermocouple interior cabinet	Modul 3
-B2	54.01.254	Thermoelement Ablöschung	Thermocouple quenching	Modul 3
-B3	40.02.101	Thermoelement Kerntemperatur	Thermocouple core sensor	Modul 3
-B4	40.00.399	Thermoelement Feuchte	Thermocouple humidity	Modul 3
-B5	40.04.107	Thermoelement Dampfgenerator	Thermocouple steam generator	Modul 3
-F1/F2	40.01.588	Steuersicherung	Control fuse	Modul 1
-F11-F22	4001.0217	Sicherung Heizkörper J/USA 202	Fuse heating element J/USA 202	Modul 2
-F3	40.01.329	Sicherheitstemperaturbegrenzer Gas:157°C/314° F Elek.:183°C/360°F	Safety thermostat steam generator Gas: 157°C/ 314°F Elec.: 183°C/360°F	Modul 1
-F4	40.01.482	Sicherheitstemperaturbegrenzer 360°C/680°F	Safety thermostat interior cabinet 360°C/680°F	Modul 1
-H1	3024.0201	Garraumbeleuchtung	Interior cabinet light	Modul 3
-H2	3024.0201	Garraumbeleuchtung	Interior cabinet light	Modul 3
-K1	40.04.008	Hauptschütz	Main contactor	Modul 1
-M1	40.03.513	Lüftermotor	Fan motor	Modul 1
-M11	40.03.425	Kühllüfter	Cooling fan	Modul 1
-M12	56.00.460	Pumpe Pflegemittel	Care pump	Modul 1
-M13	40.03.425	Kühllüfter	Cooling fan	Modul 1
-M14	40.03.425	Kühllüfter	Cooling fan	Modul 1
-M2	40.03.513	Lüftermotor 201/202 (unten)	Fan motor 201/202 (bottom)	Modul 1

Änderungsdatum	30.08.2011	Name	SCC WE 202E-UL	Dokument-Nr.	78-00741
Erzeuger	ADT	Spannung	3AC208 V 60 Hz	Version	1

Positionsliste

Bill of material

Name Name	Artikelnr. Item number	Artikelbezeichnung	Item description	Module Modul
-M4	44.00.207	SC-Pumpe	SC-pump	Modul 1
-M5	40.03.985	Kühllüfter	Cooling fan	Modul 1
-M6	56.00.186	CleanJet Pumpe SCC WE	CleanJet pump SCC WE	Modul 1
-M7	54.01.291	Kugelhahn Ablauf	Drain valve	Modul 3
-P1	3017.1011	Differenzdrucksensor	Differential pressure sensor	Modul 3
-R1	44.01.350	Dampfheizkörper	Heating element steam	Modul 2
-R2	44.01.350	Dampfheizkörper	Heating element steam	Modul 2
-R3	44.01.350	Dampfheizkörper	Heating element steam	Modul 2
-R4	40.03.658	Heißluftheizkörper	Heating element hot air	Modul 2
-R5	40.03.658	Heißluftheizkörper	Heating element hot air	Modul 2
-S1	TEXT	Ein/Aus Schalter	ON/OFF switch	Modul 1
-S11	50.01.195	CDS-Sensor	CDS-sensor	Modul 3
-S2	44.01.408	Niveauelektrode	Water level electrode	Modul 3
-S3	40.00.454	Türkontaktschalter	Door contact switch	Modul 3
-S6	40.00.404	Zentrales Einstellrad	Central dial	Modul 3
-T1	40.03.348	Steuertrafo	Control transformer	Modul 3
-T1-F1	3019.0120	Sicherung Steuertrafo T1 2AT	Fuse control transformer T1 2AT	Modul 3
-T1-F2	3019.0126	Sicherung Steuertrafo T1 5AT	Fuse control transformer T1 5AT	Modul 3
-T2	40.03.989	SCC WE: Lautsprecher / CMP: Alarmsummer	SCC WE: Speaker / CMP: Buzzer	Modul 3
-T4	40.03.984	Trafo Kühllüfter 201/202	Transformer cooling fan 201/202	Modul 1
-V1-V12	40.00.453	Leistungshalbleiter	Solid state relais	Modul 2
-W11	40.03.532	Kabel: Garraumbelichtung	Cable: interior cabinet light	Modul 3
-W16	40.03.487	Kabel: Klemmen/Hauptschutz/SSR	Cable: terminal/main contactor/SSR	Modul 2

Änderungsdatum	30.08.2011	Name	SCC WE 202E-UL	Dokument-Nr.	78-00741
Erzeuger	ADT	Spannung	3AC208 V 60 Hz	Version	1

Positionsliste

Bill of material

Name Name	Artikelnr. Item number	Artikelbezeichnung	Item description	Module Modul
-W17	40.03.486	Kabel: Steuerstamm	Cable: control harness	Modul 1
-W20	40.03.982	Kabel: Spannungswahlschalter UL	Cable: selector switch UL	Modul 1
-W31	40.03.467	Kabel: Ein/Aus Schalter	Cable: ON/OFF switch	Modul 1
-X20	40.04.180	Sicotronic-Klemme	Sicotronic link	Modul 1
-Y1/Y3/Y4	50.01.050	Y1: Magnetventil Füllen / SCC WE Y3: Beschwadung / Y4: Pflegemittel	Y1: Solenoid valve filling / SCC WE Y3: moistening / Y4: care	Modul 1
-Y2	50.01.146	Magnetventil Ablöschung	Solenoid valve quenching	Modul 1
-Y5	22.00.725	Klimaventil	Clima valve	Modul 3
-Z1	40.02.425	Entstörfilter/Varistor	Electronic noise filter	Modul 1

Änderungsdatum	30.08.2011	Name	SCC WE 202E-UL	Dokument-Nr.	78-00741
Erzeuger	ADT	Spannung	3AC208 V 60 Hz	Version	1