



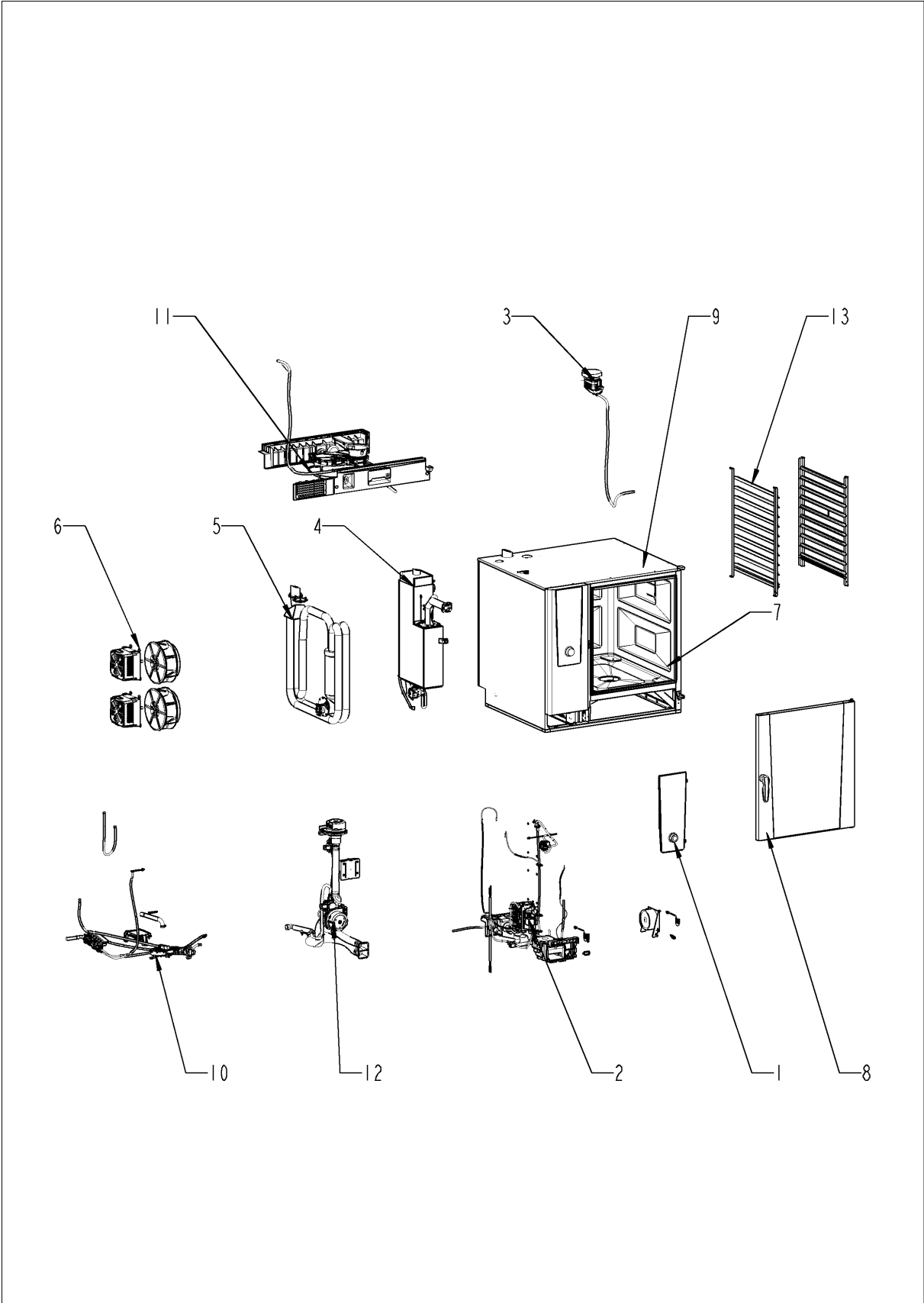
# Service part catalogue

iCombi® ab 03/2020 102 - 10 x 2/1 Gastronorm

G12SJ1904



# Overview

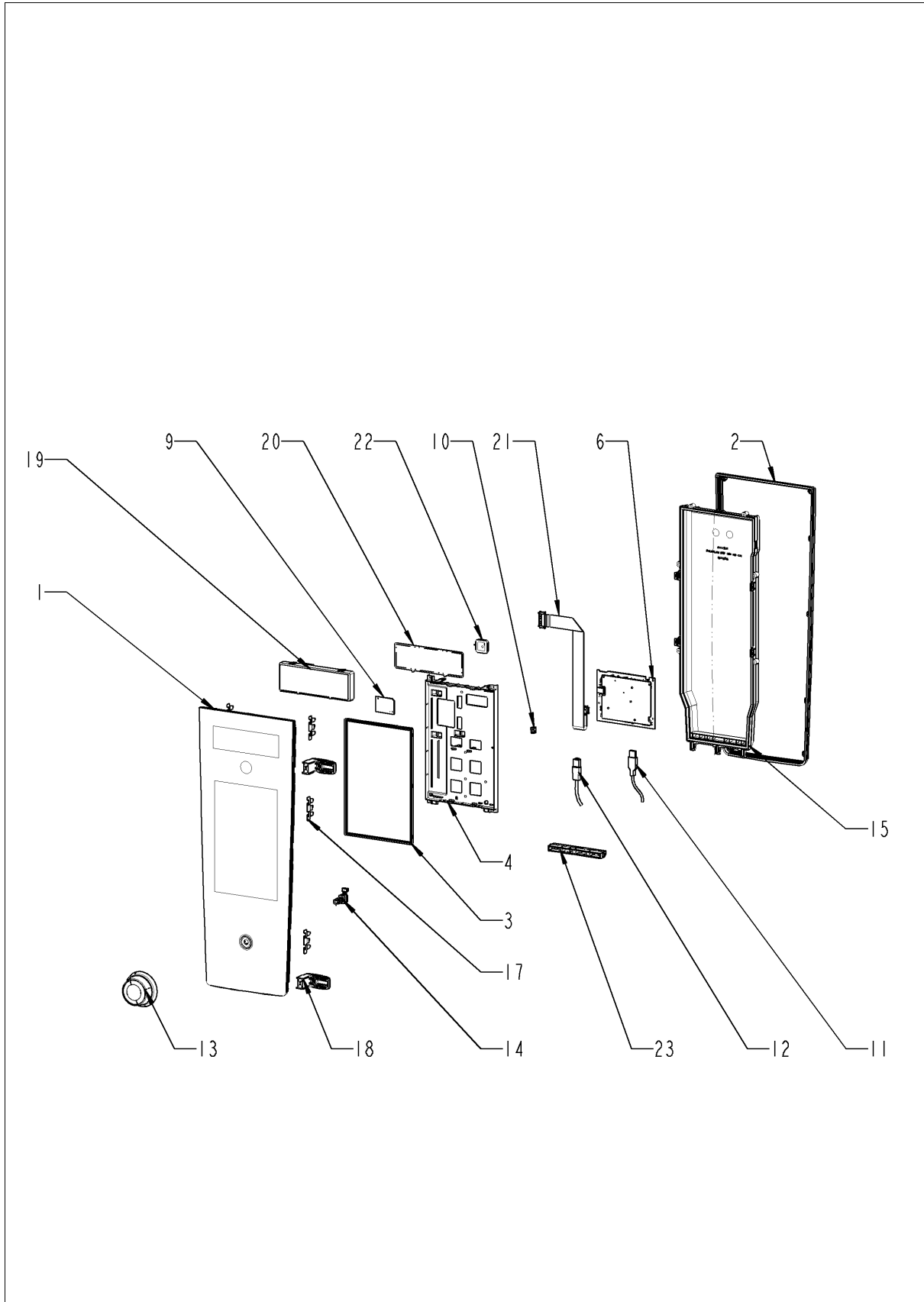


---

## Overview

Pos.	Assembly	Page
1	Control panel .....	4
2	Electrical installation .....	6
3	ClimaPlus .....	12
4	Steam generator .....	14
5	Hot air heating .....	16
6	Motor and fan wheel .....	20
7	Interior cabinet .....	22
8	Door .....	24
9	Exterior cabinet .....	28
10	Water .....	32
11	CleanJet + Care .....	34
12	Gas parts .....	36
13	Standard accessory .....	38

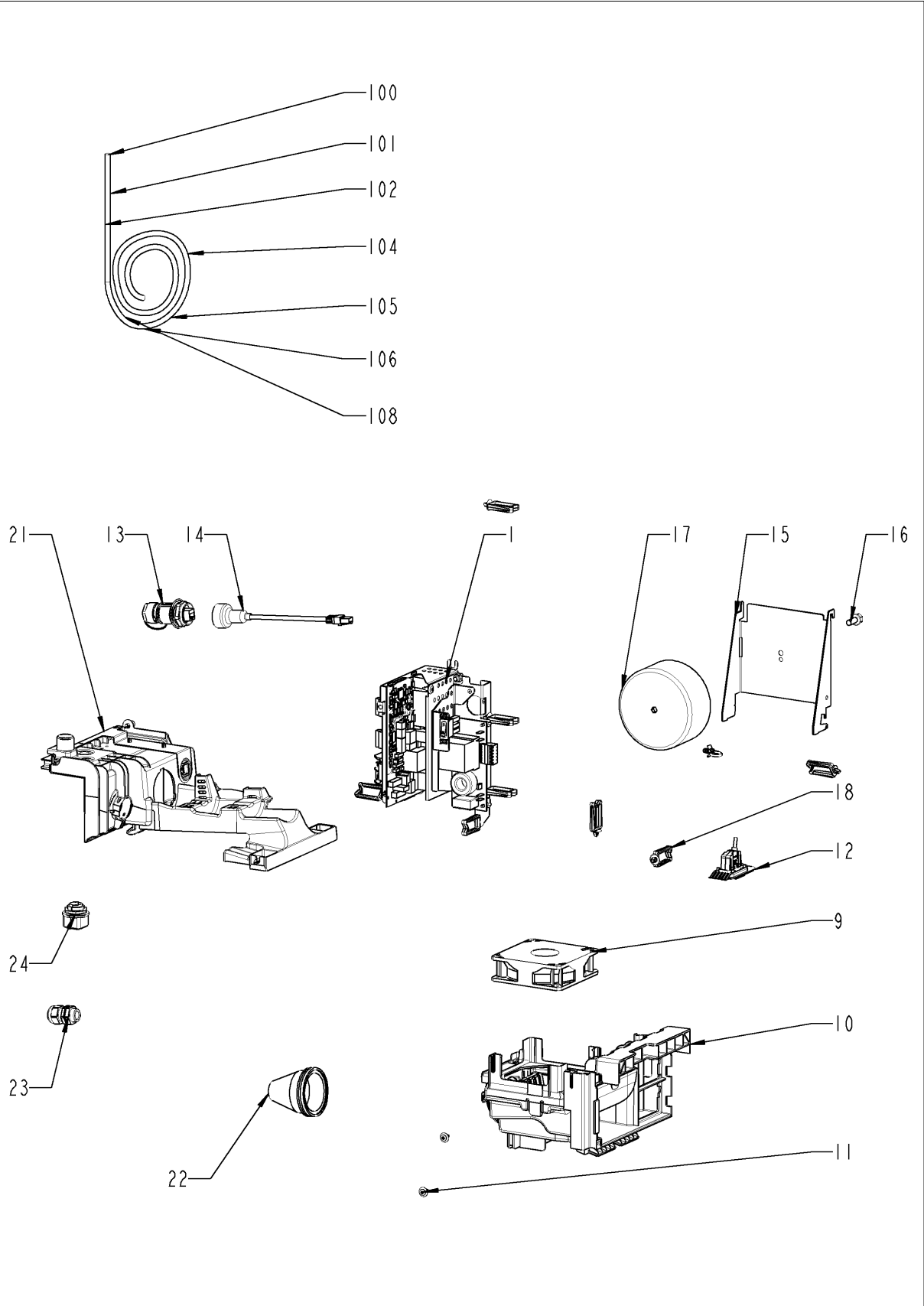
## Control panel



## Control panel

Pos.	Part no.	Description	Qty.
1	87.01.535S	Control panel insert with touch/TFT *RAT*	1
2	16.03.342P	Sealing f. panel insert	1
3	42.00.357P	Operator pcb *TFT*	1
4	16.03.747P	Fixing display / pcb	1
6	42.00.251P	Control pcb (w/o SD-Card)	1
8	42.00.359P	Micro SD card	1
9	42.00.346P	Sensor on / off	1
10	40.06.760P	Cable control pcb - capacitive switch	1
11	40.06.044P	USB socket with cable	1
12	40.06.409P	Interface cable LAN 1.5m	1
13	16.03.756P	Dial f. pulse generator	1
14	40.06.037P	Pulse generator	1
15	16.03.735P	Cover f. control pcb w. gasket	1
17	16.03.748P	Metal cramp f. panel insert	6
18	16.03.749P	Hook for parking position	2
21	40.06.569P	Cable CPU - TFT	1
23	16.04.062P	Sealing block	1
23	16.03.701P	Sealing block LAN	1

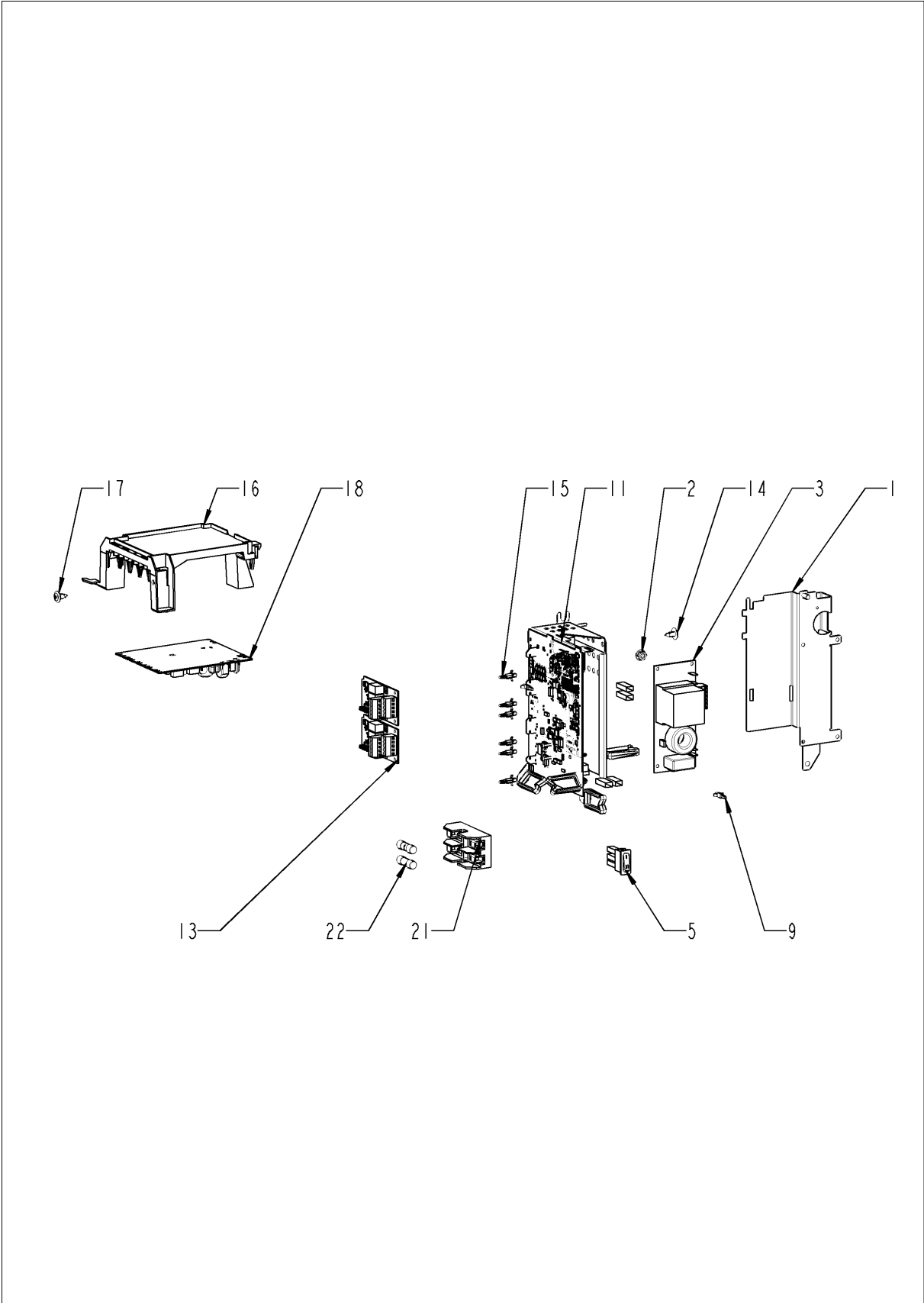
# Electrical installation



## Electrical installation

Pos.	Part no.	Description	Qty.
1		Electrical installation	1
9	40.05.993P	Cooling fan	1
10	40.06.566P	Air shaft cpl.	1
11	10.00.989P	Rivet with screw	1
12	40.06.043P	Interface USB	1
13	40.06.327P	Interface LAN IPX6	1
14	40.06.409P	Interface cable LAN 1.5m	1
15	40.05.968P	Mounting support power transformer	1
16	10.01.208P	Hex screw M8x80 A2	1
17	40.06.005P	Power transformer	1
18	40.06.878P	Cable holder	8
21	87.01.620S	Cable entry	1
22	40.06.777S	Cable bushing f. cable entry	1
23	40.00.320S	Cable gland M20x1.5	1
24	40.04.495P	Cable connection M25 ø5mm *divisible*	1
25	3019.0125P	Fuse 5x20mm	1
100	40.06.065P	Cable control harness	1
101	40.06.625P	Pump harness	1
102	40.06.624P	Cable harness base	1
104	40.06.404P	Cable harness isolating transformer	1
108	40.06.250P	Cable, Care pump	1
112	40.06.756P	Power supply cable 3xAWG14 3m	1
113	40.06.854P	Cable A10-1xAxx	1
114	40.07.148P	Bus cable 1.73m	1
115	40.05.858P	Bus cable 1.08m	1
116	40.05.858P	Bus cable 1.08m	1
117	40.07.146P	Bus cable 1.35m	1
120	40.05.858P	Bus cable 1.08m	1
129	40.07.451P	Cable hot air probe - eSTB	1
130	40.07.452P	Cable, steam probe - eSTB	1

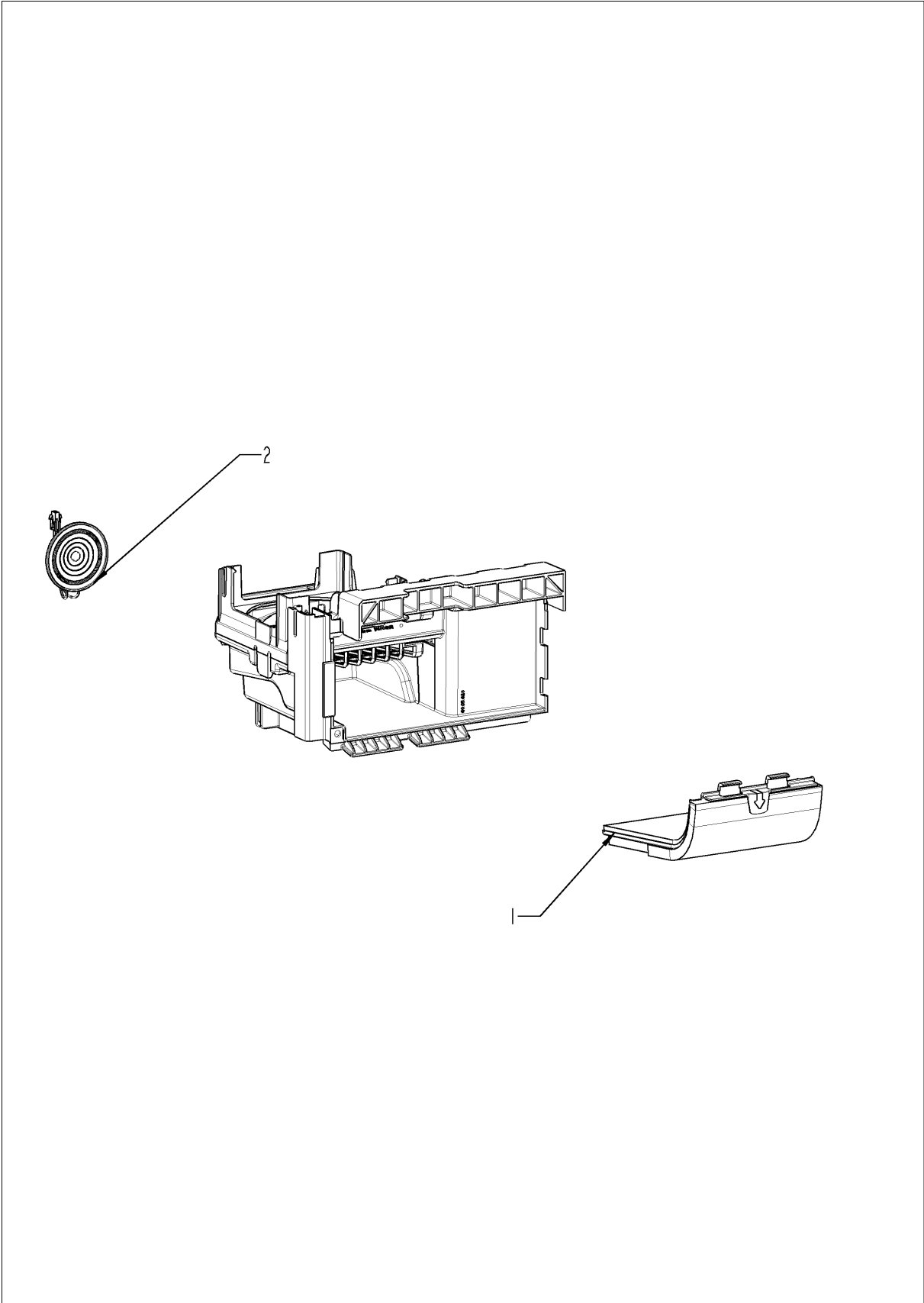
# Electrical installation



## Electrical installation

Pos.	Part no.	Description	Qty.
1	40.06.385P	Electrical mounting plate	1
2	10.00.709P	Hex nut M6 w. locking	1
3	42.00.286P	Power supply	1
5	40.01.358P	Rocker switch 1 pole	1
9	40.03.756P	Fixing clip f. pcb	1
11	40.05.919P	IO-module	1
14	10.00.989P	Rivet with screw	1
15	40.03.756P	Fixing clip f. pcb	1
16	40.04.953P	Mounting support for pump pcb	1
17	10.00.989P	Rivet with screw	1
18	42.00.273P	Pump pcb	1
21	40.01.487P	Fuse holder 2pol	1
22	40.01.873P	Fuse SC-15A 10x38	2
28	40.06.767P	Fuse 4A *Typ 5HT 4-R*	1

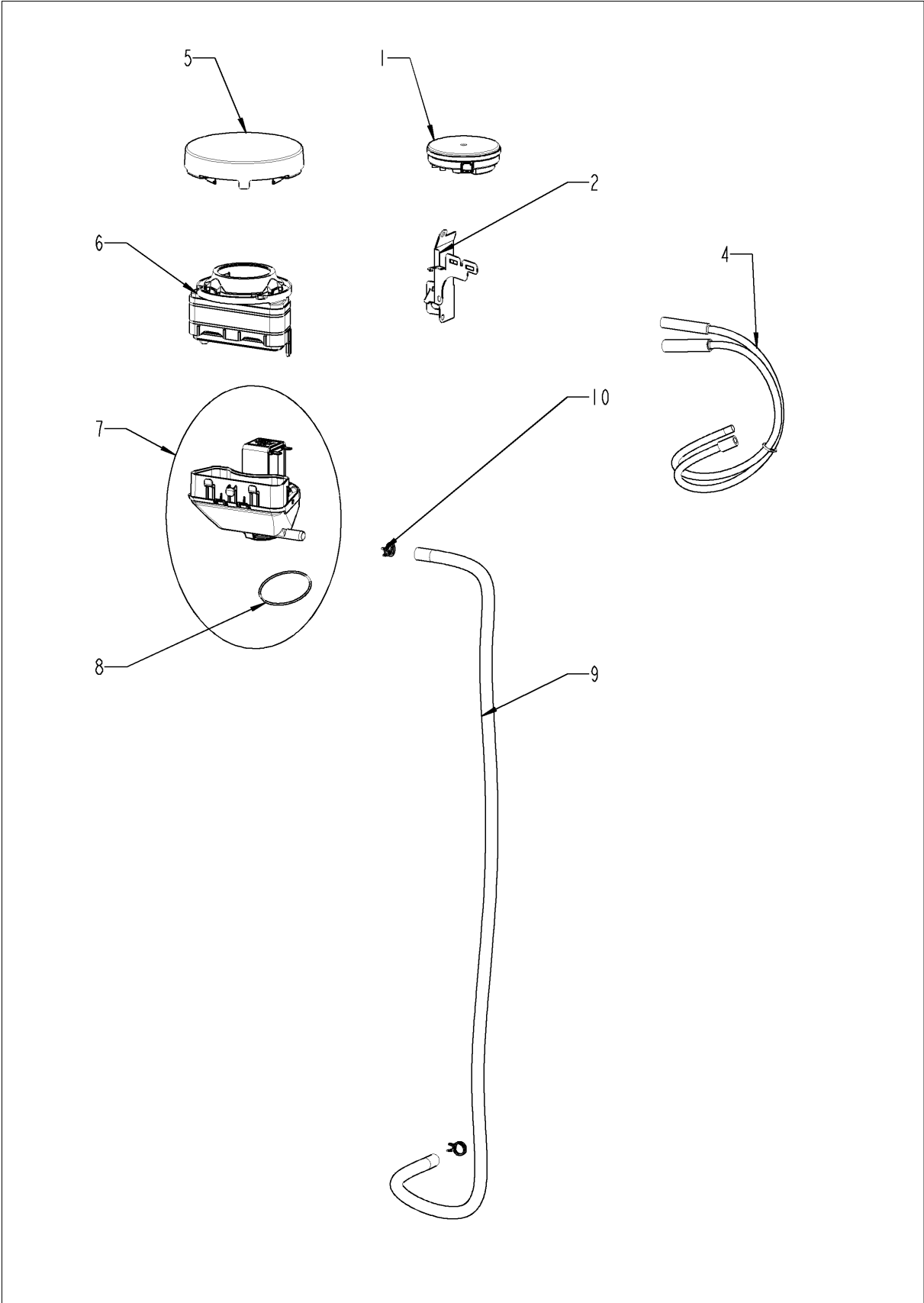
# Air shaft cpl.



## Air shaft cpl.

Pos.	Part no.	Description	Qty.
1	40.05.424P	Air inlet filter cpl.	1
2	40.07.257P	Loudspeaker K 64 WP FR	1

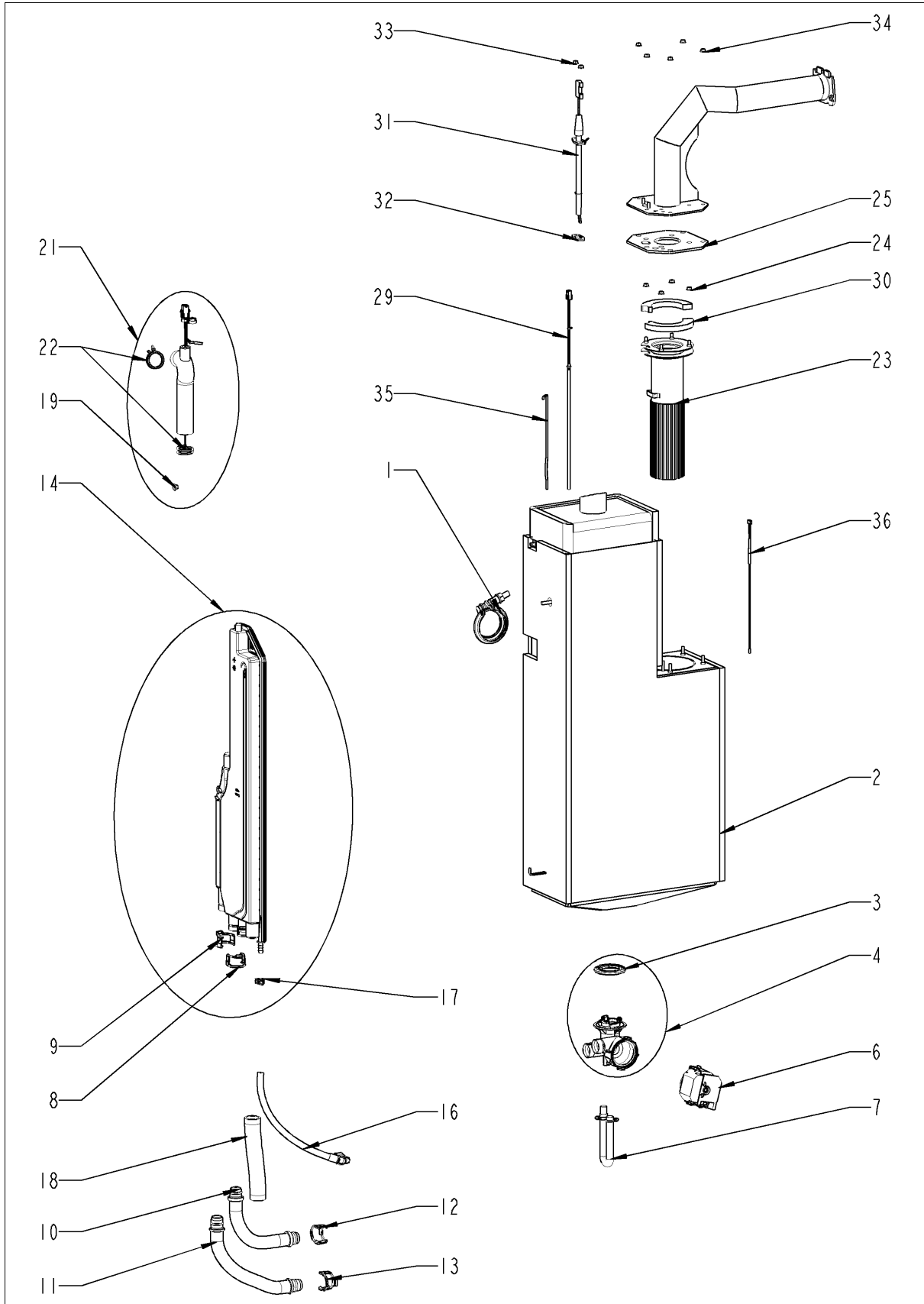
# ClimaPlus



## ClimaPlus

Pos.	Part no.	Description	Qty.
1	3017.1011P	Pressure sensor Huba 401	1
2	40.05.435P	Mounting device f. pressure sensor	1
4	22.00.525P	Hose set f. humidity control	1
5	22.01.409P	Vent cover	1
6	87.01.713S	Air inlet pipe	1
7	22.01.402P	Humidity control cpl.	1
8	10.01.694P	O-ring for humidity control	2
9	56.01.519P	Drain hose set, humidity control, unit drip collector	1
10	2066.0527P	Hose clamp ø14mm	2

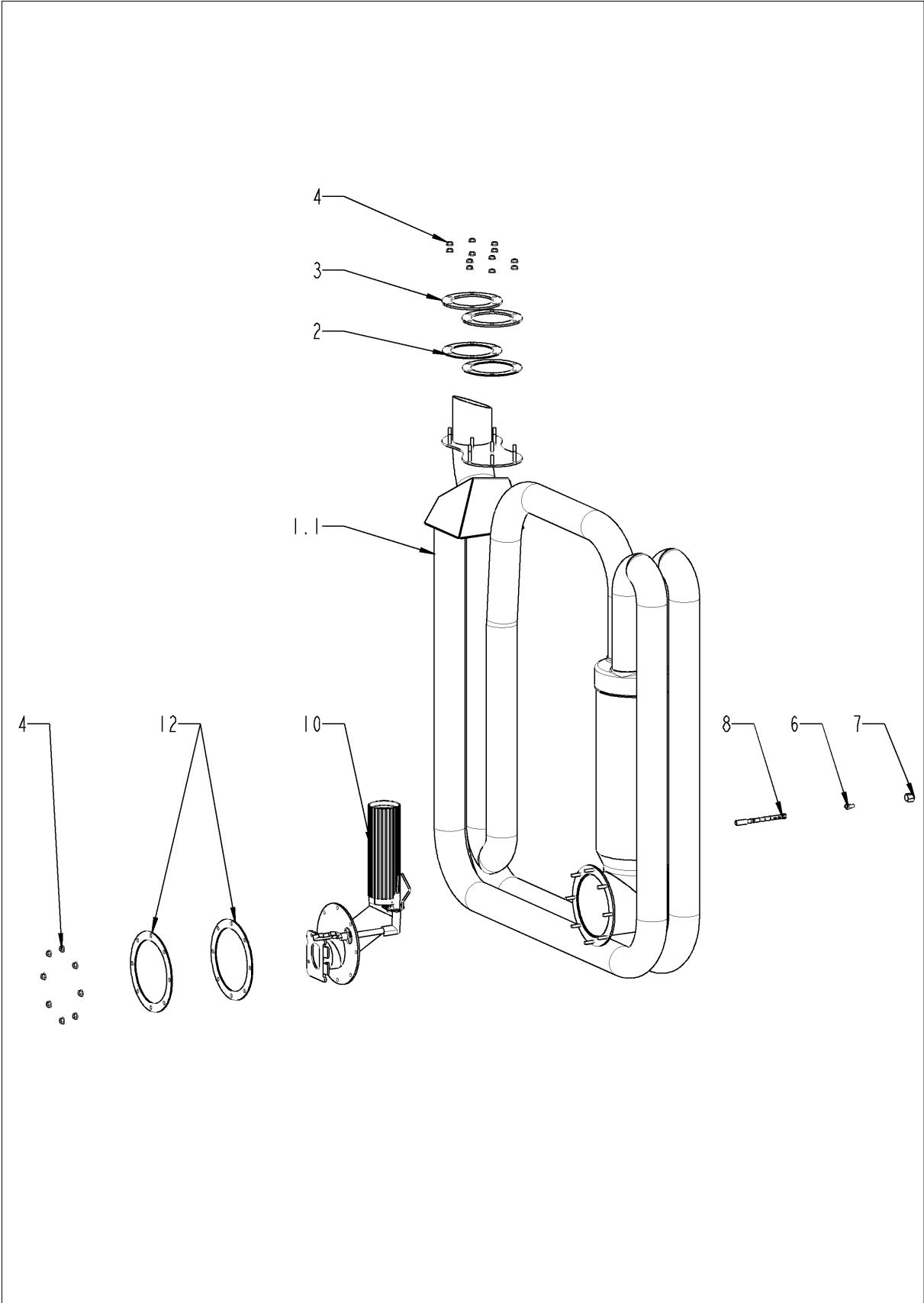
# Steam generator



## Steam generator

Pos.	Part no.	Description	Qty.
1	72.00.492P	V Clamp 50mm right	1
2	87.01.624S	Kit Steam generator insolated	1
3	44.02.200P	Gasket SC pump	1
4	44.02.179S	Pump housing	1
6	56.01.024P	Emptying pump	1
7	44.02.287P	Emergency drainage hose	1
8	10.01.707P	Locking ring 25mm	1
9	10.01.707P	Locking ring 25mm	1
10	44.02.227S	Supply hose safety armature	1
11	44.02.751S	Drain hose steam generator	1
12	10.01.707P	Locking ring 25mm	1
13	10.01.707P	Locking ring 25mm	1
14	87.01.548S	Safety device / water supply for steam generator	1
16	50.02.117P	Hose, water supply, steam generator	1
17	2066.0205P	Hose clamp 8-16x9 mm SW 7mm	1
18	44.02.229P	Drain hose steam generator	1
19	44.01.505P	Grommet Ø12x8,2	1
21	44.02.495S	Molded hose with level electrode	1
22	2066.0518P	Hose clamp 30mm	2
23	70.01.278S	Burner steam gen. kit	1
24	10.01.065P	Hex nut M5	1
25	72.00.408P	Gasket f. burner carrier	1
29	40.06.131P	Temperature sensor eSTB 240mm *S*	1
30	72.00.077P	Insulation f. burner steam gen.	1
31	70.01.250S	Ignition electrode kit for steam generator	1
32	70.01.258P	Gasket f. ignition electrode	1
33	10.01.065P	Hex nut M5	2
34	10.01.065P	Hex nut M5	5
35	72.00.505P	Fixing plate steam generator thermostat	1
36	40.06.230P	Thermocouple steam generator *B5*	1

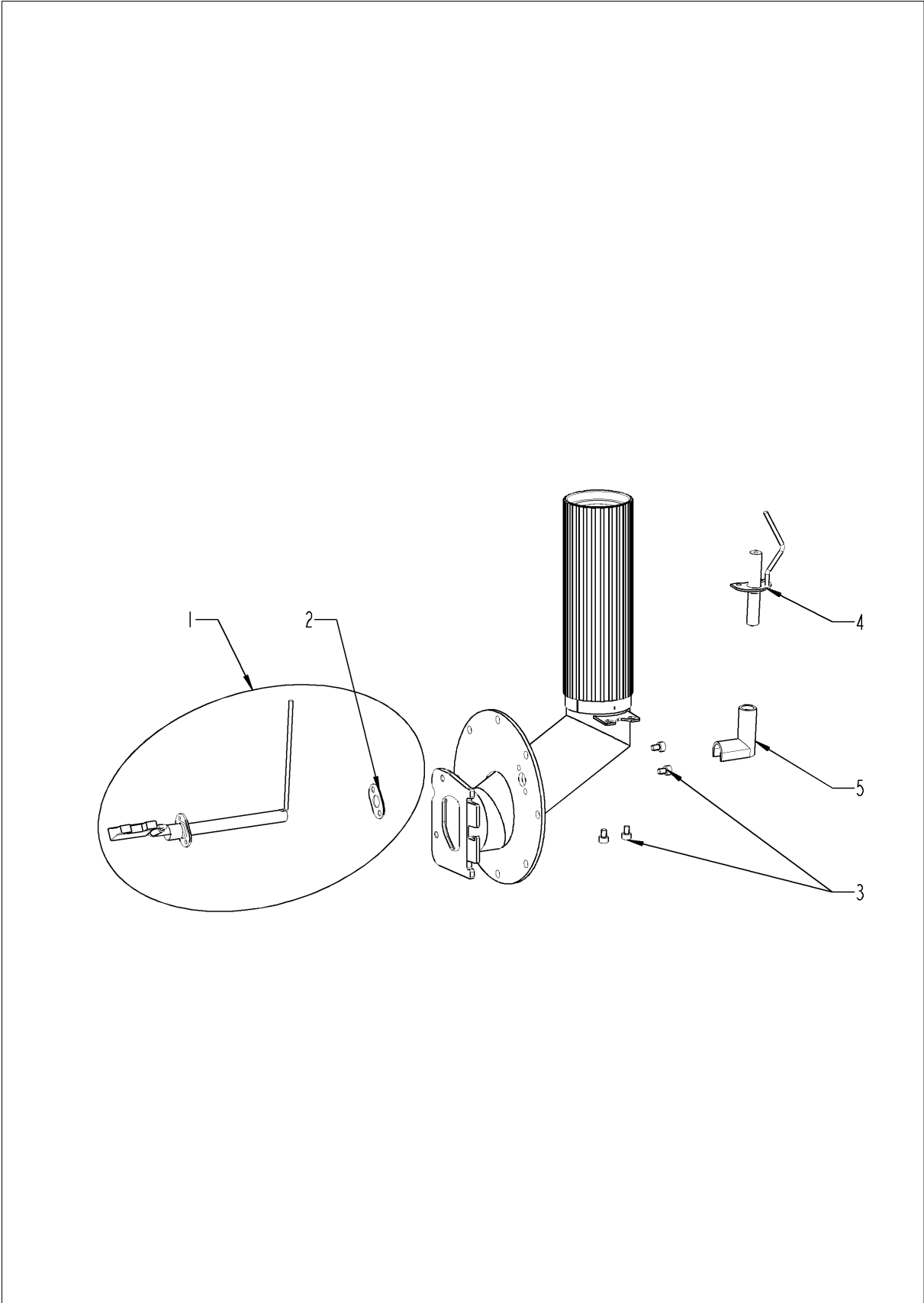
# Hot air heating



## Hot air heating

Pos.	Part no.	Description	Qty.
1.1	74.01.180S	Hot air heat exchanger	1
2	74.01.119P	Gasket hot air heat exchanger/interior cabinet	1
3	74.01.118P	Mating flange heat exchanger	2
4	10.01.065P	Hex nut M5	12
6	50.02.004P	Nozzle f. moistening	1
7	50.02.005P	Union nut	1
8	50.02.006P	Plastic pipe PEEK	1
10	87.01.655S	Burner hot air	1
12	74.00.296P	Gasket f. heat exchanger below	1

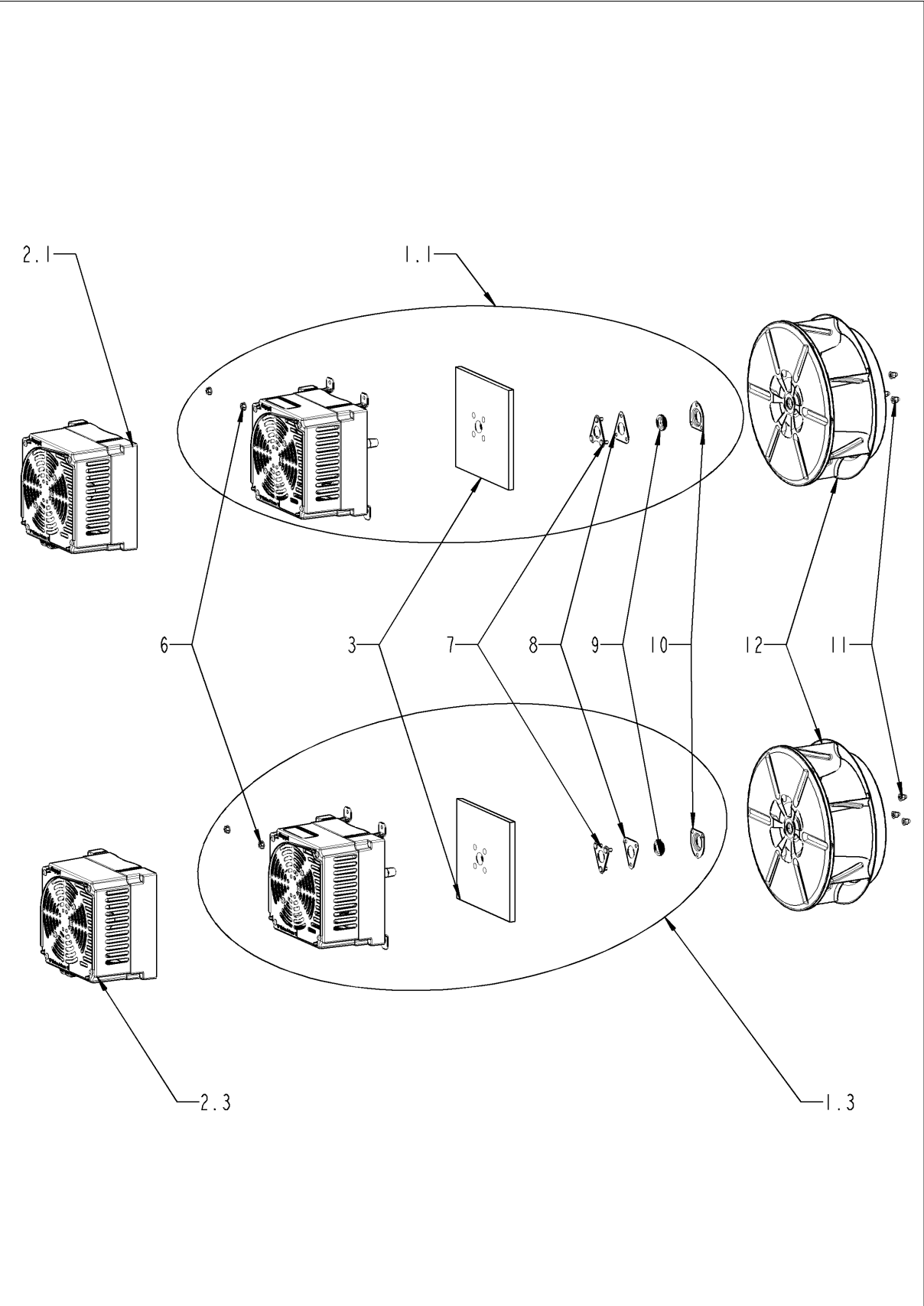
# Burner hot air



## Burner hot air

Pos.	Part no.	Description	Qty.
1	70.01.247S	Ignitionelectrode, hot air 350mm	1
2	74.00.290P	Gasket electrode hot air	1
3	10.00.696P	Allen screw M4x6 w. Precoat 85	4
4	74.01.039P	Earth electrode, hot air	1
5	74.00.913P	L- insulator for ignition electrode, hot air	1

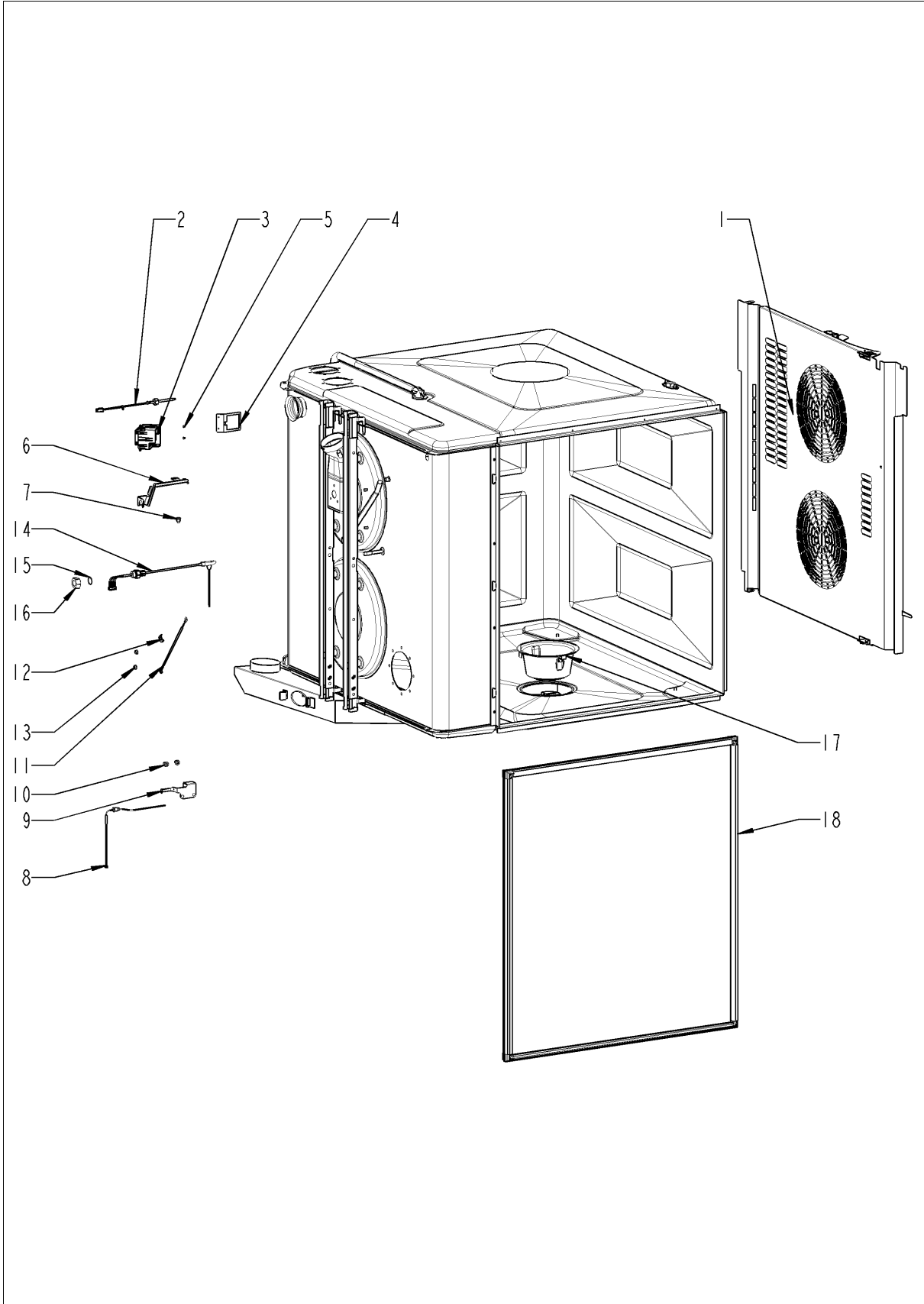
# Motor and fan wheel



## Motor and fan wheel

Pos.	Part no.	Description	Qty.
1.1	87.01.559S	Fan motor	1
1.3	87.01.559S	Fan motor	1
2.1	42.00.278P	Motor control for fan motor	1
2.3	42.00.278P	Motor control for fan motor	1
3	20.02.807P	Isolation for mounting plate for motor	2
6	10.00.709P	Hex nut M6 w. locking	8
7	22.01.423P	Mounting support f. gasket flange	2
8	22.01.425P	Graphit seal for gasket flange	2
9	22.00.985P	Motor shaft gasket D15	2
10	22.01.427P	Flange f. motor shaft gasket	2
11	10.01.076P	Cap nut M5*A2	6
12	22.01.164S	Fan wheel	2
13	1308.0162P	Washer A8,4	2
14	10.00.936P	Hex screw M8x20	2

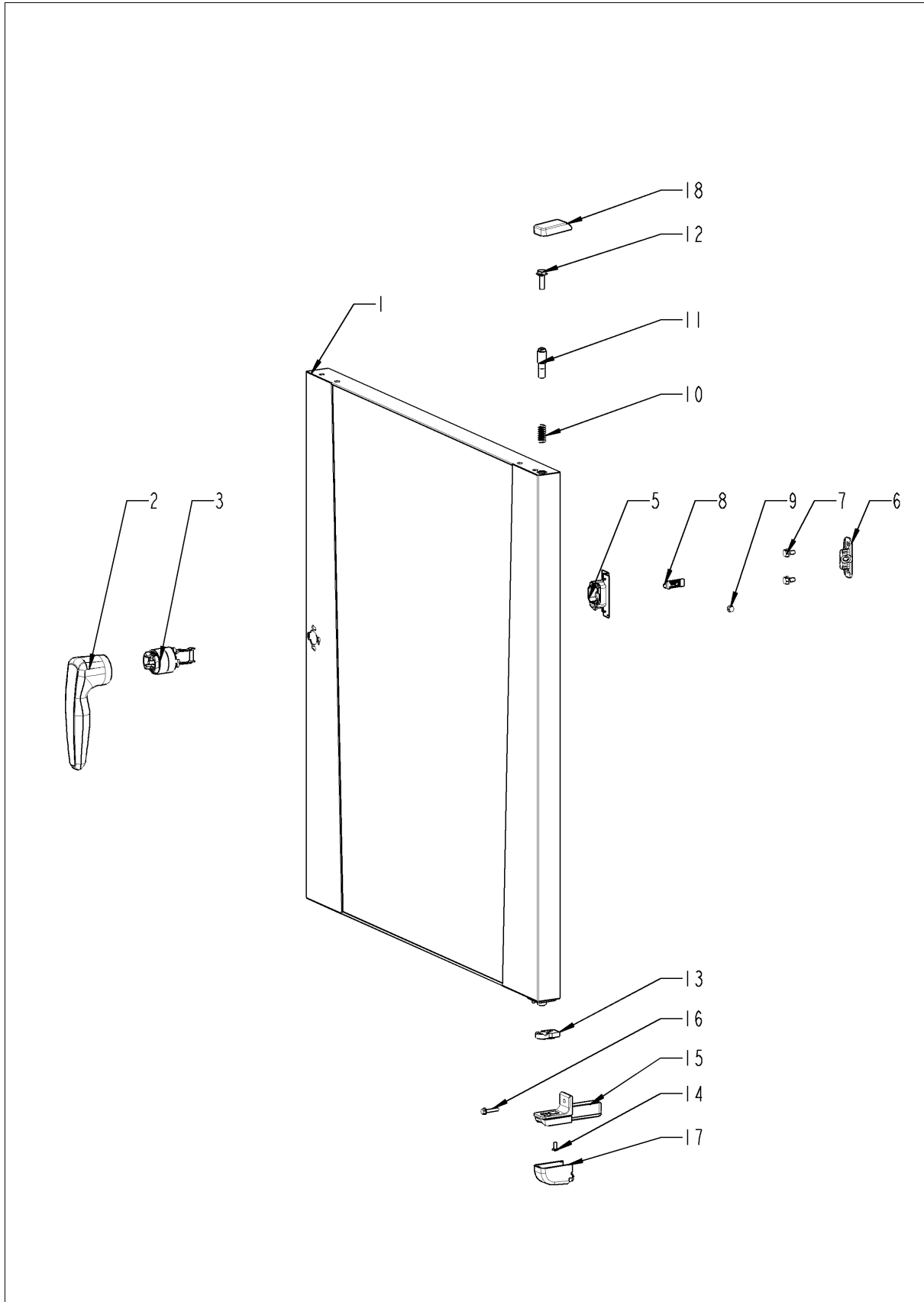
# Interior cabinet



## Interior cabinet

Pos.	Part no.	Description	Qty.
1	22.01.154P	Air baffle	1
2	40.06.112P	Temperature sensor eSTB *HA*	1
3	40.06.684P	Safety temperature limiter	1
4	40.06.053P	Fixing device for safety temperature limiter	1
5	10.00.515P	Rivet 3,2x6.8 A2/NSF	2
6	40.06.098P	Screen core temperature sensor	1
7	10.01.076P	Cap nut M5*A2	1
8	40.06.593P	Thermocouple interior cabinet B1	1
9	40.05.489P	Screen interior cabinet sensor	1
10	10.01.076P	Cap nut M5*A2	2
11	40.06.212S	Thermocouple humidity *B4*	1
12	10.00.087P	Clamp strap f. sensor	1
13	10.01.065P	Hex nut M5	1
14	40.06.808P	Meat probe sensor	1
15	1315.0104P	Copper washer 16x20x1,5	1
16	10.01.751P	Hex nut M16 DIN934 A2	1
17	56.01.503P	Outlet sieve	1
18	20.02.553P	Door gasket	1

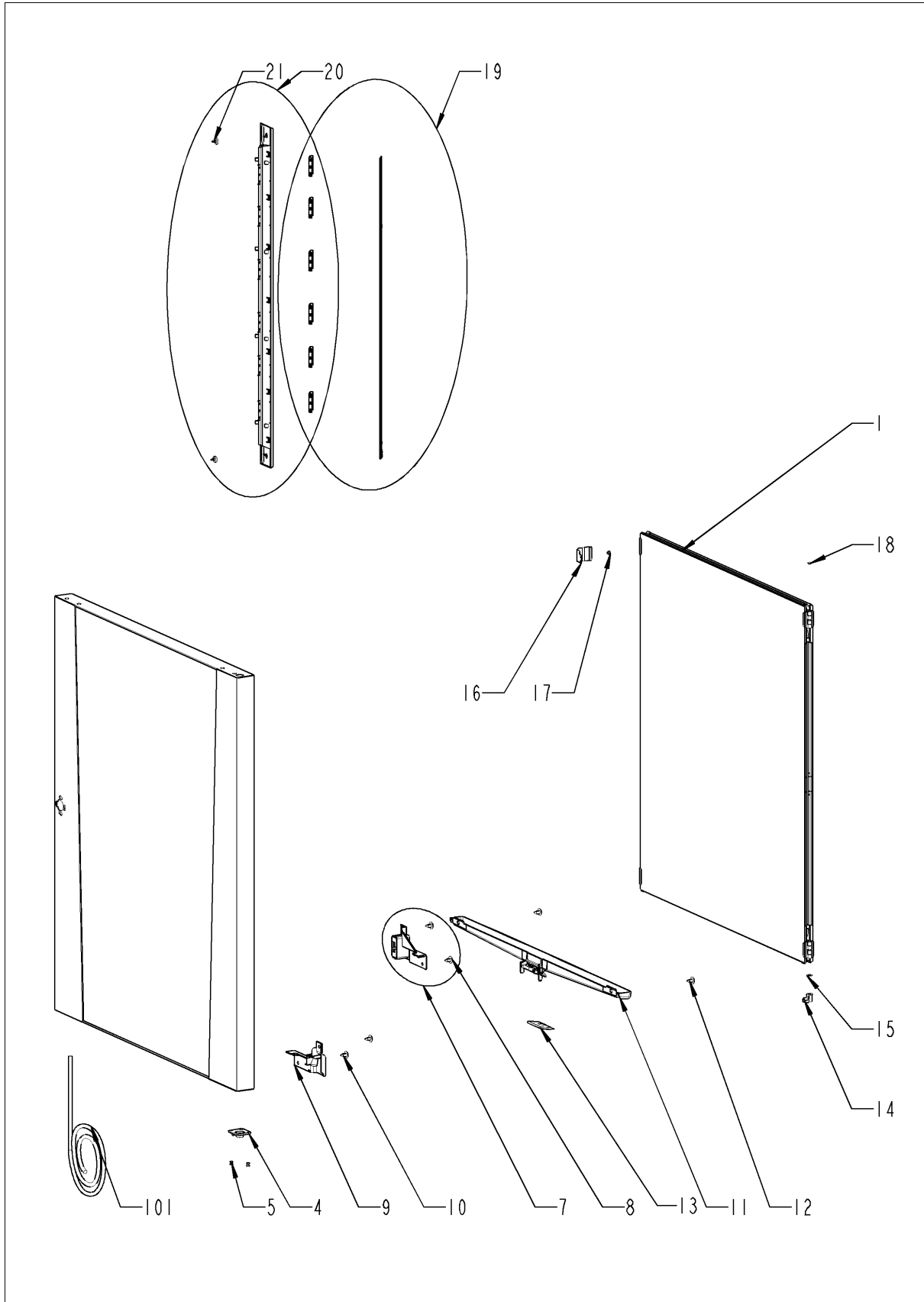
## Door



## Door

Pos.	Part no.	Description	Qty.
1	24.04.098S	Door	1
2	24.04.083P	Door handle RATIONAL	1
3	24.03.213P	Door lock with spring U-bolt *2-step*	1
5	24.04.211P	Lock cover	1
6	24.02.958P	Holding bracket f. door catch	1
7	10.01.719P	Hex screw M6x12	2
8	24.02.990P	Door catch for 2-step lock	1
9	24.02.960P	Interlocking tooth screw M5x6	1
10	2001.0109P	Compression spring	1
11	24.03.040P	Door bolt	1
12	1008.0768P	Ornamental screw M8x16	1
13	14.01.057P	Door bolt	1
14	10.00.099P	Hex screw M8x12	1
15	14.01.056P	Door mounting support bottom	1
16	10.01.755P	Countersunk screw M5x20 A2	1
17	56.01.245P	Cap for door mounting support bottom	1
18	16.04.110P	Cover for door mounting support	1

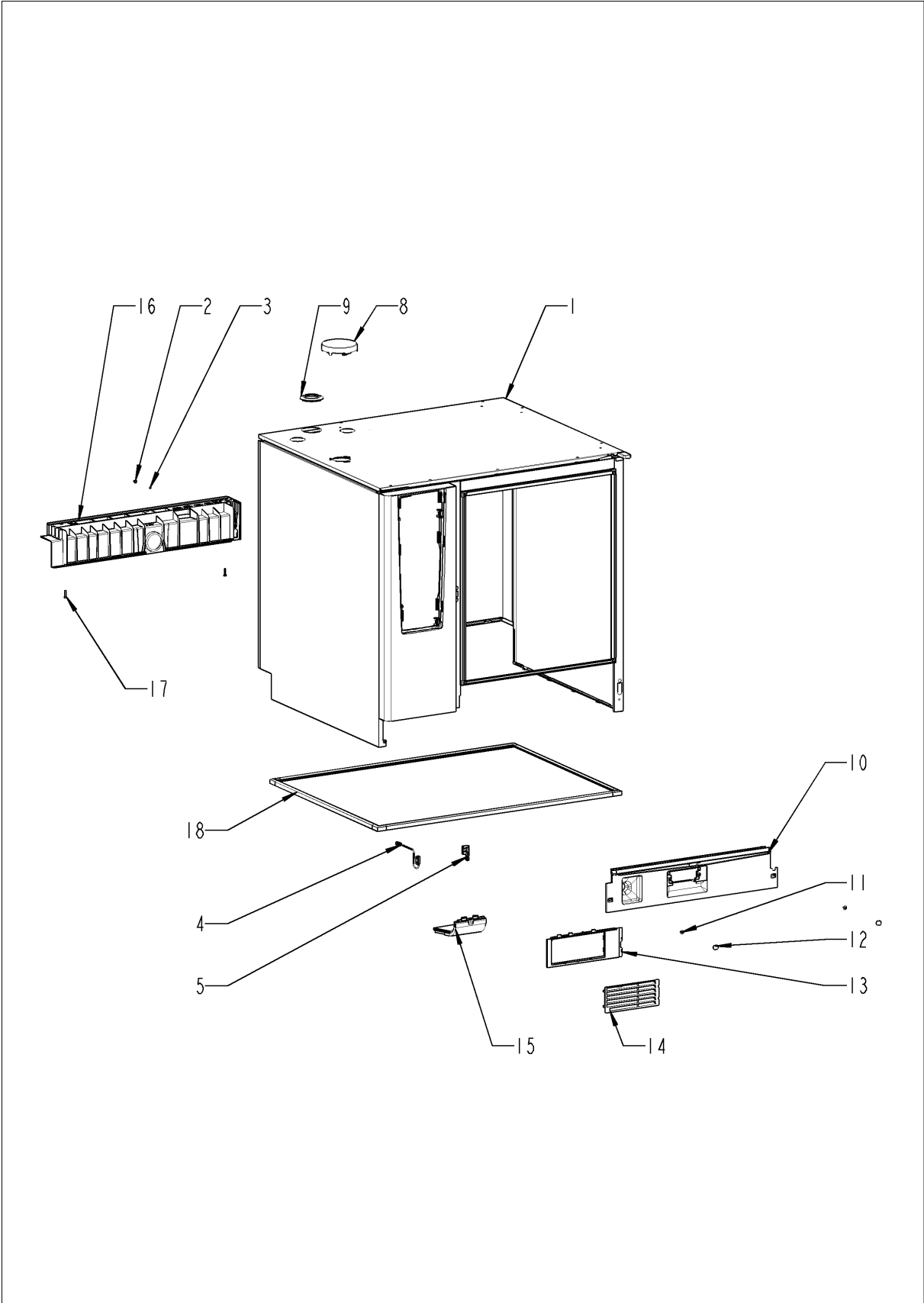
# Door



## Door

Pos.	Part no.	Description	Qty.
1	24.04.898S	Glass pane bundle	1
4	24.04.217P	Door setting bolt	1
5	10.00.904P	Rivet B4x8	2
7	24.04.596S	Cover for door magnet with magnet	1
8	10.02.008P	Rivet with screw	2
9	24.05.303S	Hinge cover	1
10	10.00.989P	Rivet with screw	2
11	24.05.383P	Door drip collector	1
12	10.00.989P	Rivet with screw	2
13	24.05.345P	Drain seal for door drip collector	1
14	24.03.056P	Slide bush for door	1
15	24.03.057P	Abrasion protection for glide socket	1
16	24.03.787S	Fixing bracket kit for interior glass pane	2
17	1604.0161P	Rivet 4x6 CNS	1
18	24.03.062P	Cover cap for door	1
19	87.01.581S	LED bar	2
20	87.01.582S	LED optics	2
21	24.05.458P	Plastic spreader rivet	4
22	24.03.764P	Spacer for door	1
101	40.06.079P	Cable, interior light W40 *door lighting*	1

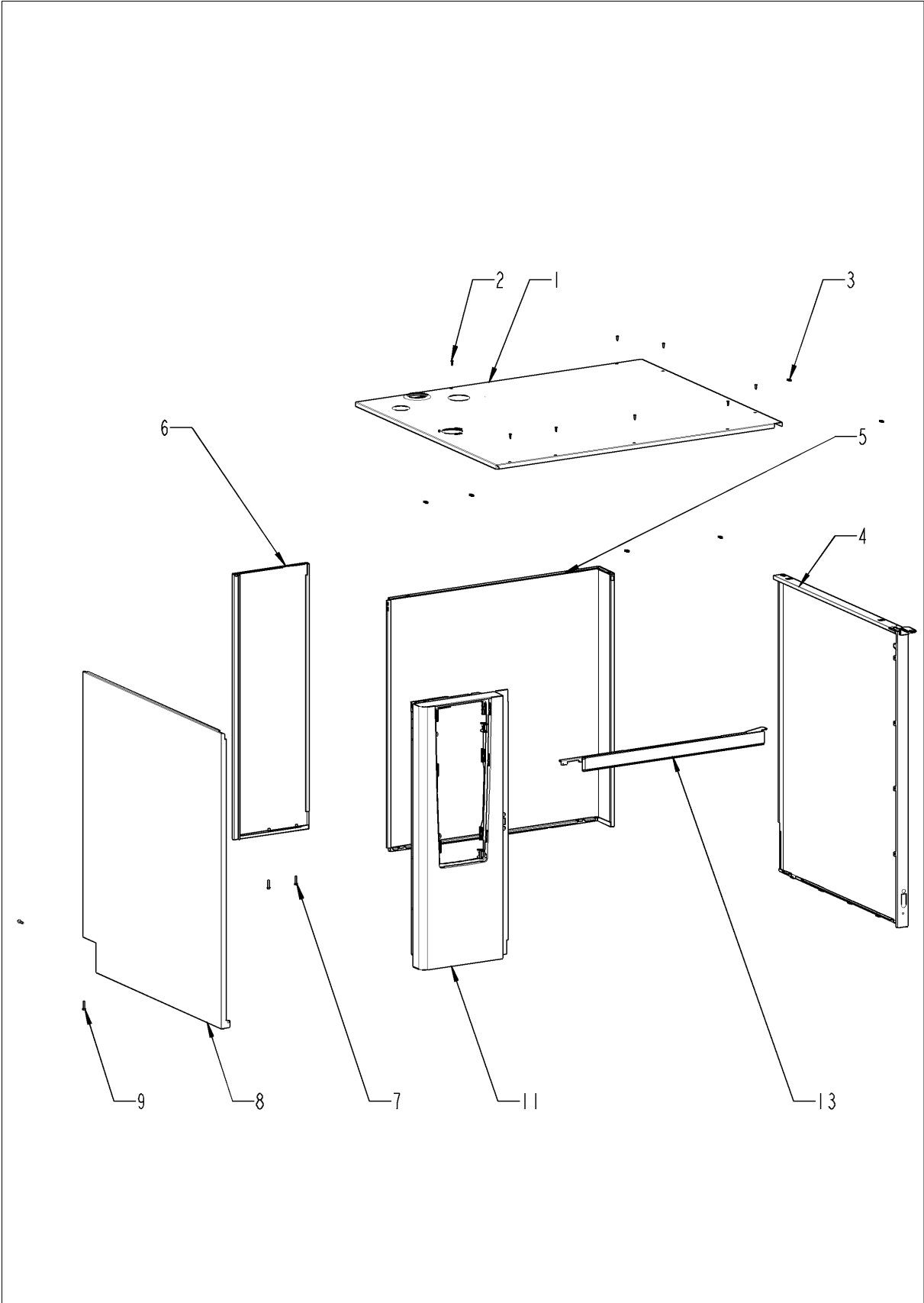
# Exterior cabinet



## Exterior cabinet

Pos.	Part no.	Description	Qty.
1		Exterior cabinet	1
2	10.01.076P	Cap nut M5*A2	1
3	1205.0120P	Tooth lock washer A5,3	1
4	40.06.664P	Door switch	1
5	14.00.937P	Bracket for door contact switch	1
8	22.01.409P	Vent cover	1
9	16.01.434P	Gasket f. breather tube d=73mm	1
10	56.01.425P	Base panel right	1
11	10.00.989P	Rivet with screw	4
12	56.01.419P	Plastic cap	2
13	56.01.424P	Base panel left	1
14	56.01.422P	Grid cover	1
15	40.05.424P	Air inlet filter cpl.	1
16	56.01.523P	Waste water cover	1
17	10.01.755P	Countersunk screw M5x20 A2	3
18	12.02.665P	Gasket for base frame	1

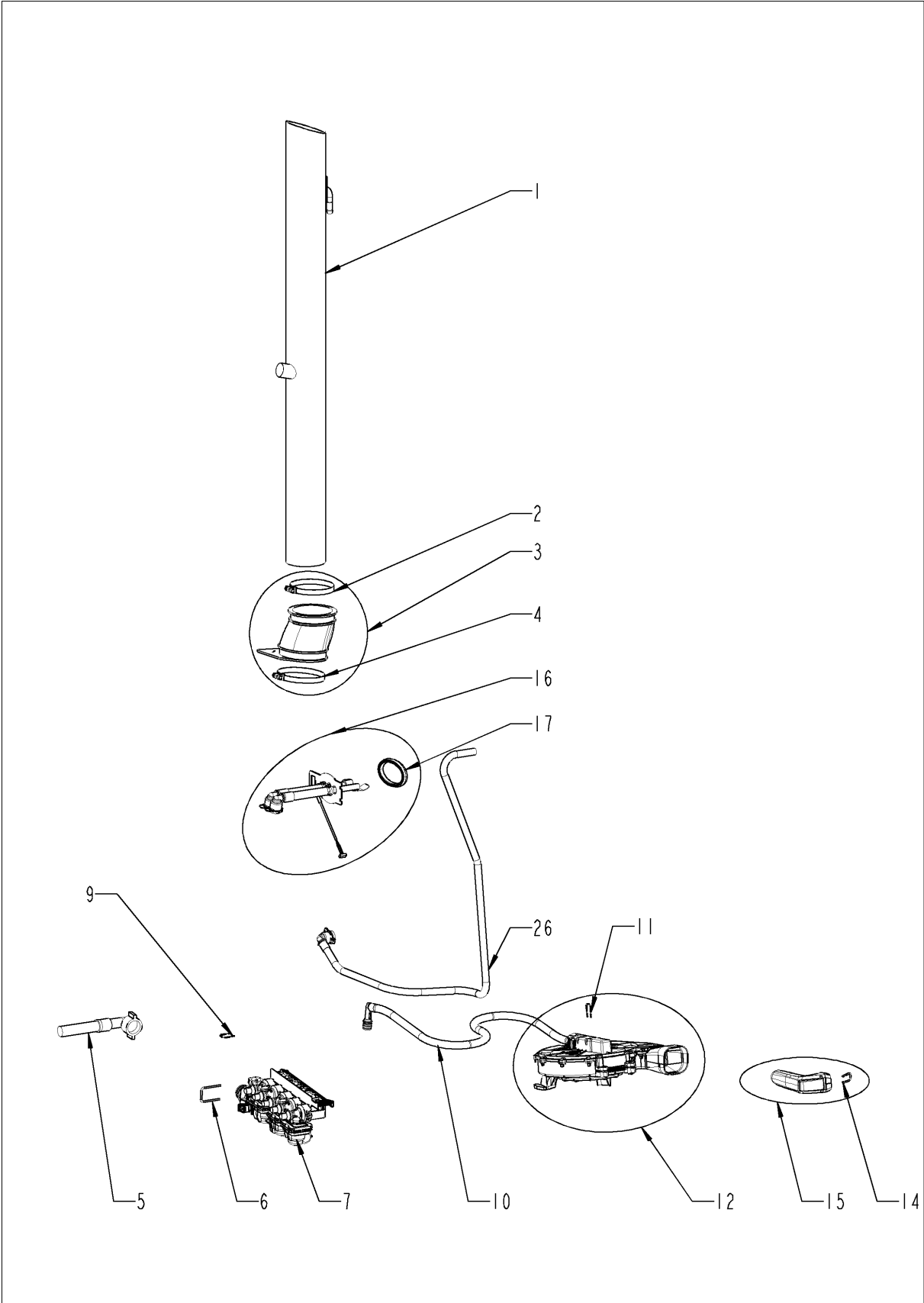
### Exterior cabinet



## Exterior cabinet

Pos.	Part no.	Description	Qty.
1	16.03.420P	Top cover	1
2	1003.2265P	Countersunk self tapping screw 4,2x16	8
3	1104.0820P	Snap nut 4,2mm	8
4	16.04.079P	Side panel right	1
5	16.04.087P	Back panel, right	1
6	16.03.394P	Back panel, left	1
7	10.01.755P	Countersunk screw M5x20 A2	2
8	16.03.419P	Side panel left	1
9	10.01.755P	Countersunk screw M5x20 A2	2
11	16.03.637P	Front panel	1
13	16.04.093P	Crossbar top	1

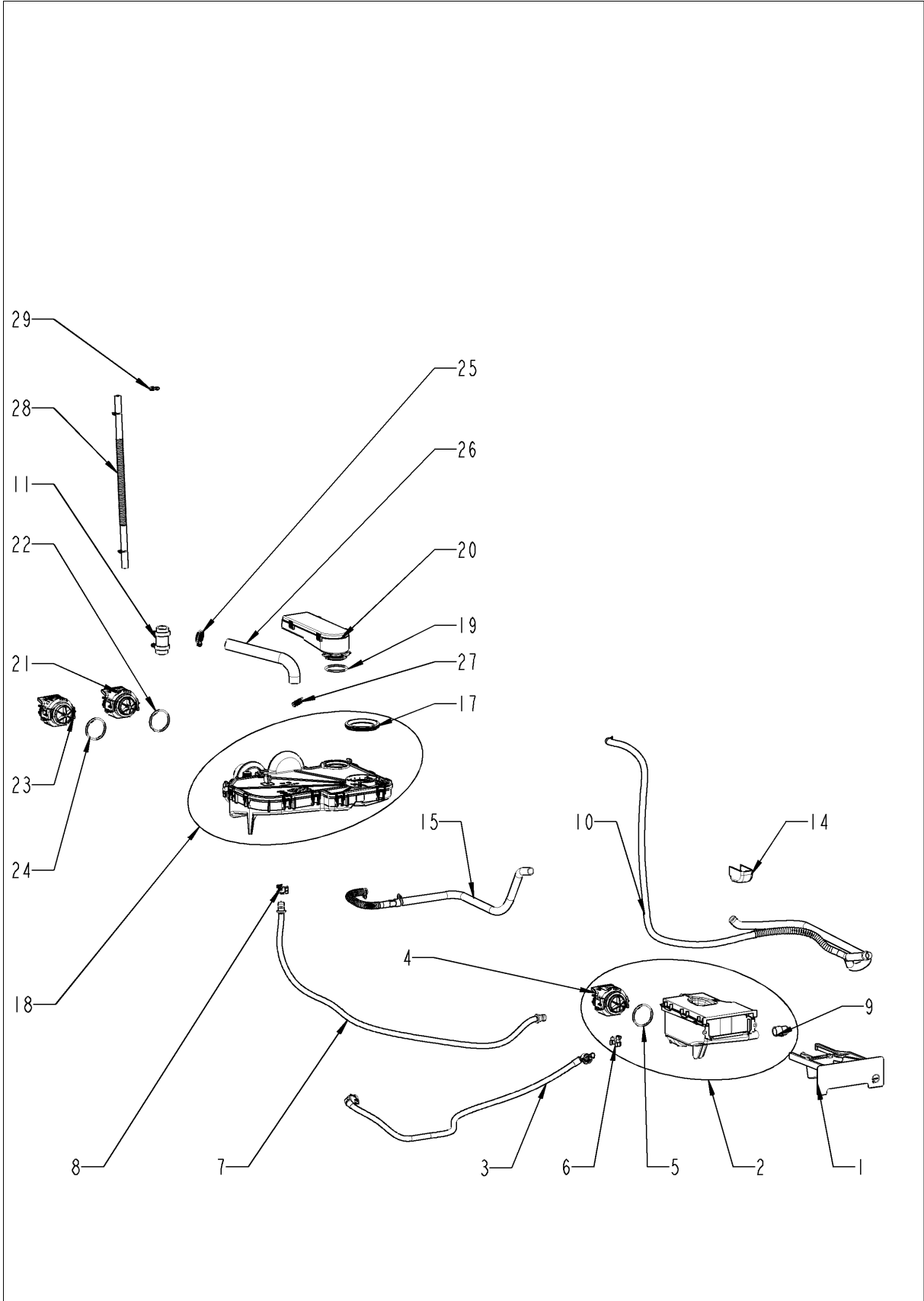
# Water



## Water

Pos.	Part no.	Description	Qty.
1	54.01.928P	Ventilation pipe	1
2	10.01.262P	Hose clamp 76 mm	1
3	54.01.729S	Rubber form piece venting pipe	1
4	10.01.686P	Hose clamp Ø82mm	1
5	2067.0709P	Hose for water supply 2500mm	1
6	50.02.112P	Locking plate f. water distribution	1
7	50.02.054P	Solenoid valve fivefold	1
9	50.00.085P	Plug-in spring f. hand shower roll guide	1
10	52.00.106S	Connect. hose f. hand shower roll guide	1
11	50.00.085P	Plug-in spring f. hand shower roll guide	1
12	52.00.096P	Hand shower roll guide	1
14	50.00.156P	Clamp f. hand shower roll guide	1
15	52.00.127S	Hand shower black	1
16	54.01.863S	Inspection lid, B2	1
17	54.01.168P	Gasket f. inspection lid	1
26	50.02.146P	Supply hose for moistening	1
27	2066.0205P	Hose clamp 8-16x9 mm SW 7mm	2

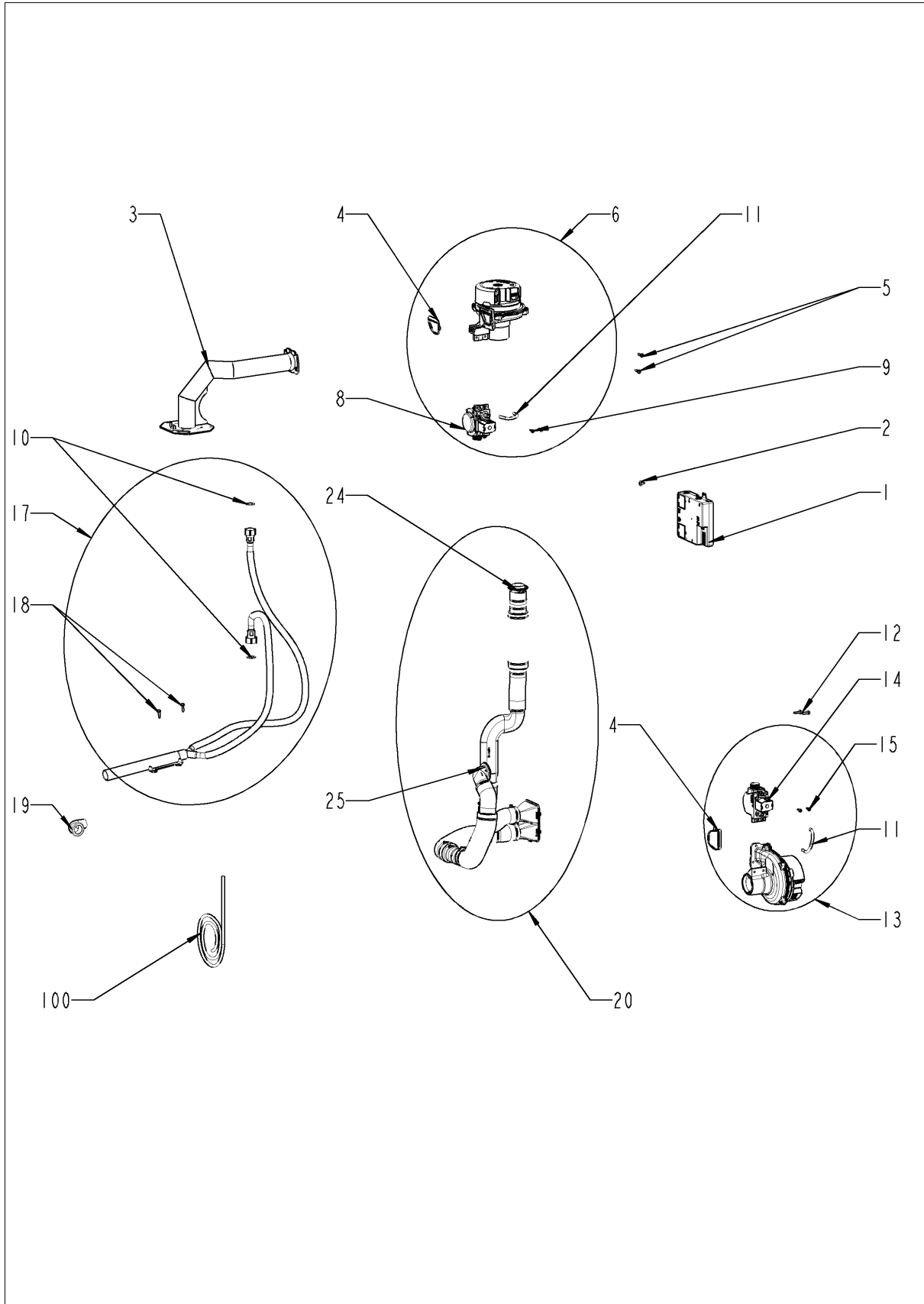
# CleanJet + Care



## CleanJet + Care

Pos.	Part no.	Description	Qty.
1	56.00.952P	Drawer Care container	1
2	56.01.466P	Care container with pump	1
3	50.02.133P	Supply hose for "Care box"	1
4	56.01.028P	Pump f. CareControl	1
5	56.01.631P	O-ring for pump	1
6	10.01.703P	Locking ring 16 mm	1
7	56.01.510S	Care hose	1
8	10.01.703P	Locking ring 16 mm	1
9	56.00.752P	Hose fitting EPDM-70ShA	1
10	56.01.519P	Drain hose set, humidity control, unit drip collector	1
11	56.01.682S	Bushing CleanJet pipe	1
14	56.01.245P	Cap for door mounting support bottom	1
15	56.01.699P	Drain hose drip collector	1
16	10.00.982P	Hose clamp D=18.2	1
17	56.01.461P	Gasket DN60	1
18	56.01.486P	Cleaning box	1
19	56.01.481P	O Ring emergency overflow	1
20	56.01.454S	Emergency overflow cleaning box	1
21	56.01.017P	Waste water pump Cleaning box	1
22	56.01.631P	O-ring for pump	1
23	56.01.020P	Pump f. cleaning	1
24	56.01.631P	O-ring for pump	1
25	2066.0521P	Hose clamp 27mm	1
26	56.01.677P	CleanJet hose	1
27	2066.0521P	Hose clamp 27mm	1
28	56.01.688S	Silicone hose with hose clamps	1
29	2066.0527P	Hose clamp ø14mm	1

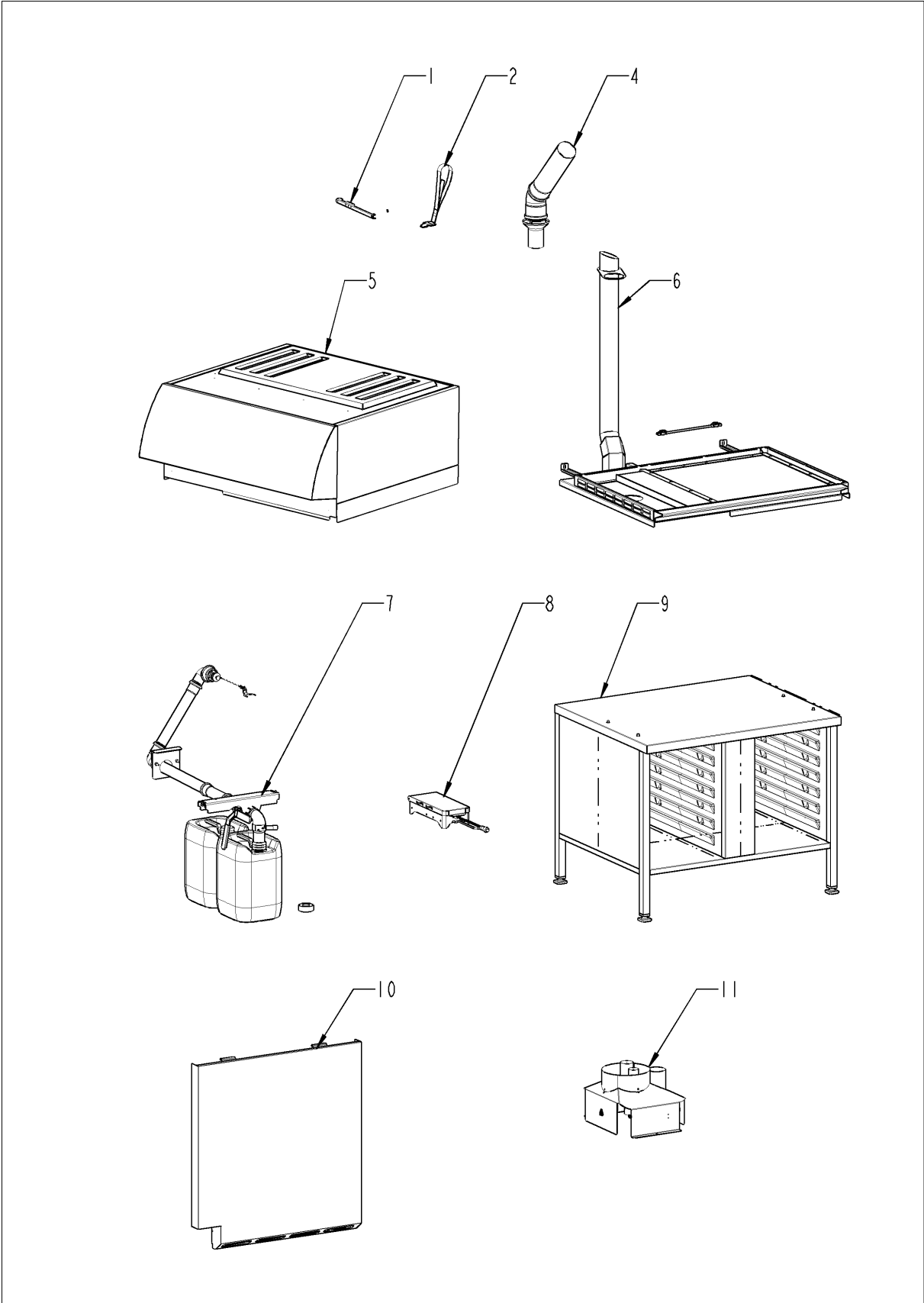
## Gas parts



## Gas parts

Pos.	Part no.	Description	Qty.
1	70.01.205S	Automatic ignition controller	1
2	10.00.989P	Rivet with screw	1
3	70.01.070P	Burner pipe	1
4	70.01.148P	Gasket f. blower burner	2
5	10.01.747P	Hex screw M5x19 Torx T20	2
6	70.01.200P	Gas blower / gas valve kit	1
8	87.01.644S	Gas valve E01	1
9	10.01.902P	Slotted head screw M5X16 T25	2
10	70.01.622P	Gasket corrugated hose	2
11	70.01.268P	Connection compensation tube	1
12	10.01.747P	Hex screw M5x19 Torx T20	2
13	70.01.198P	Gas blower / gas valve kit	1
14	87.01.644S	Gas valve E01	1
15	10.01.902P	Slotted head screw M5X16 T25	2
17	70.01.608S	Gas connection manifold	1
18	10.01.892P	Hex screw M5x20 Torx T20	1
19	70.00.188P	Hose fitting 3/4"-3/4"	1
20	70.01.329P	Air supply, hot air	1
24	70.01.167P	Air hose adapter straight DN40	1
25	70.01.166P	Air hose adapter 90° DN50	1
100	87.01.738S	Wire set earth - ignition electrode	1

# Standard accessory

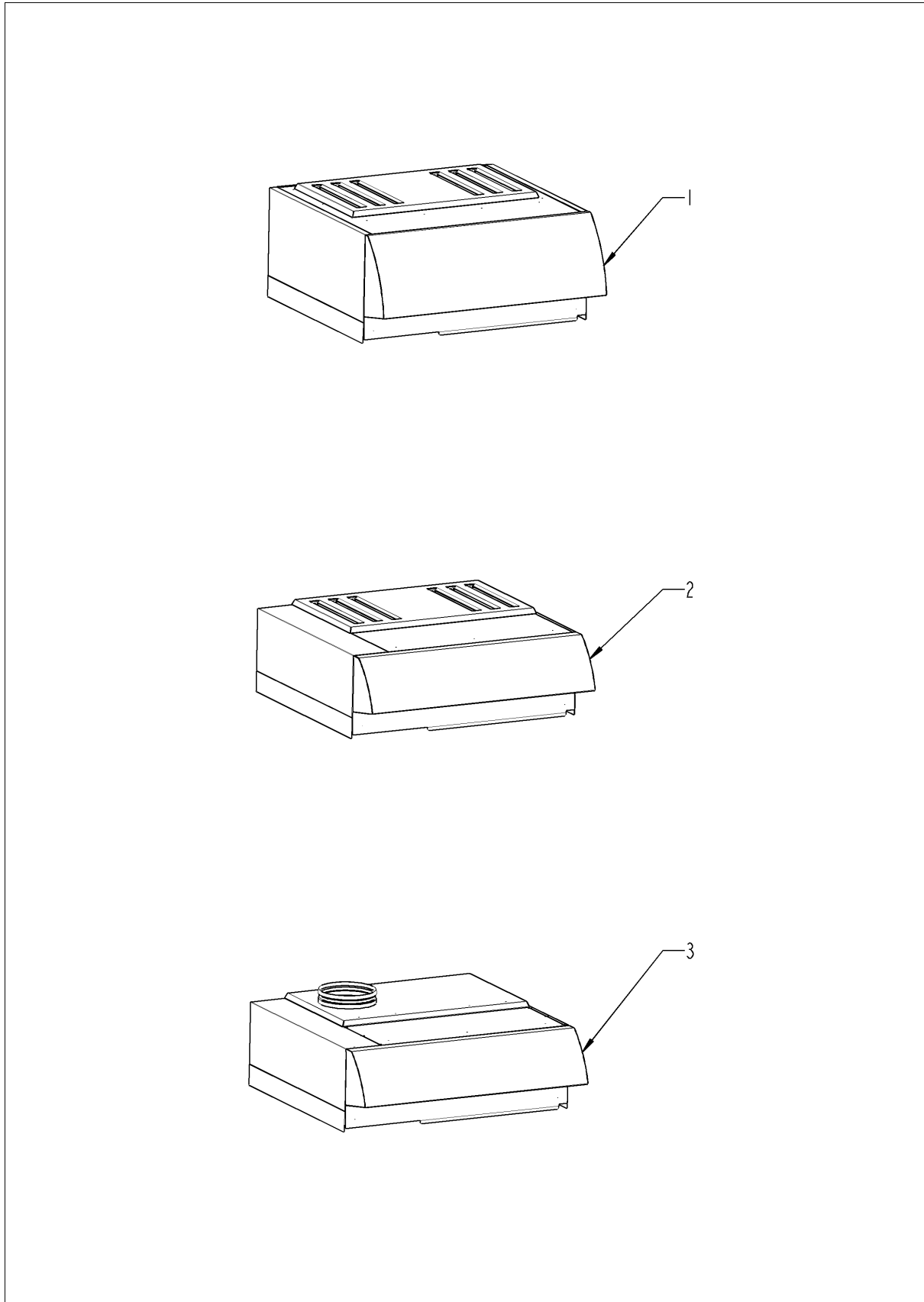


---

## Standard accessory

Pos.	Part no.	Description	Qty.
1	60.71.022	Positioning support for core sensor	1
2	91.01.135P	Carrying strap	1
4	60.72.592	Condensation breaker	1
5		Exhaust hood	1
6		CombiDuo	1
7		Internal fat drain table unit	1
8		VarioSmoker	1
9		Stands	1
10		Heat shield	1
11		Flow guard	1

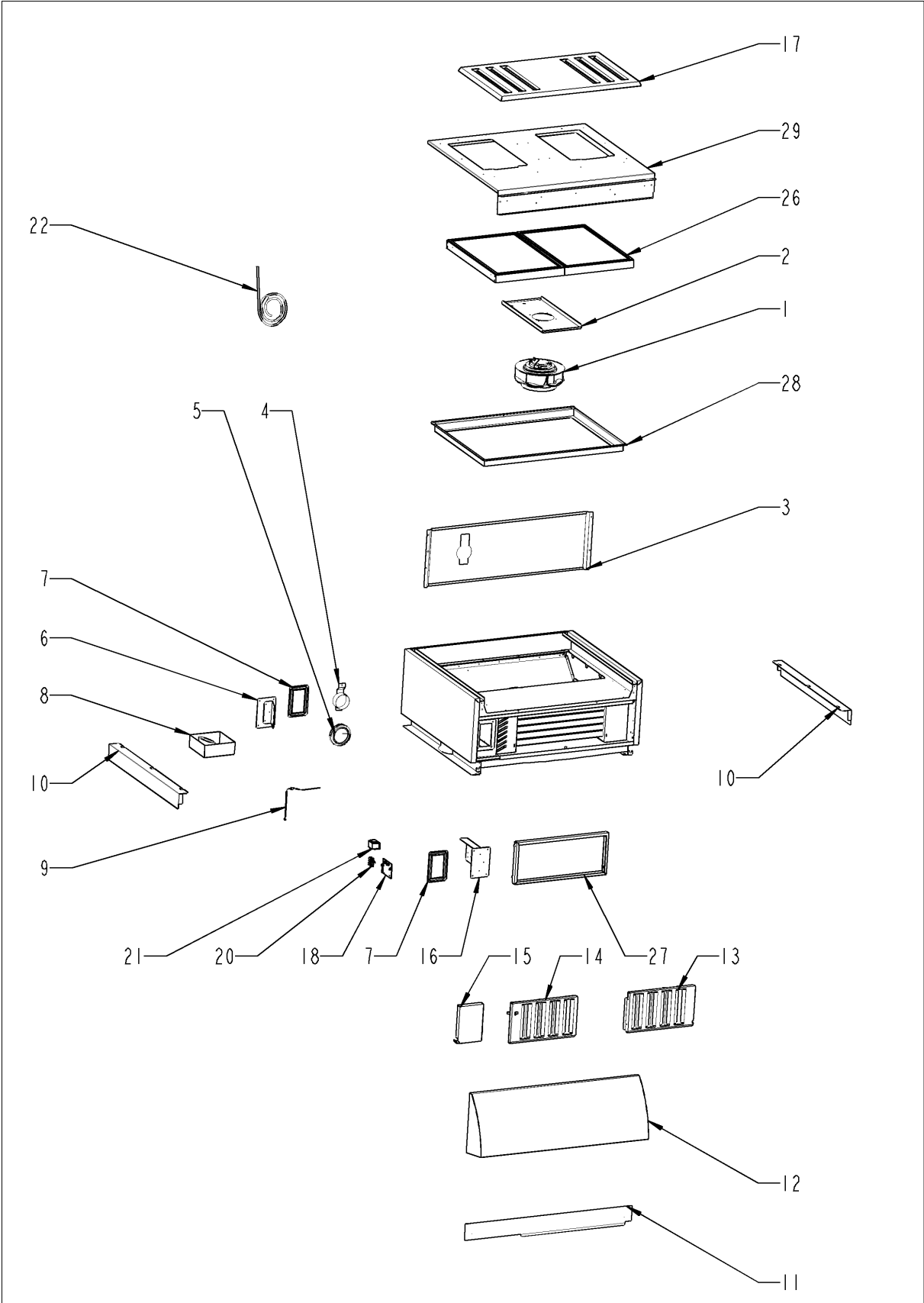
## Exhaust hood



## Exhaust hood

Pos.	Part no.	Description	Qty.
1		UltraVent Plus	1
2		UltraVent	1
3		Extractor hood	1

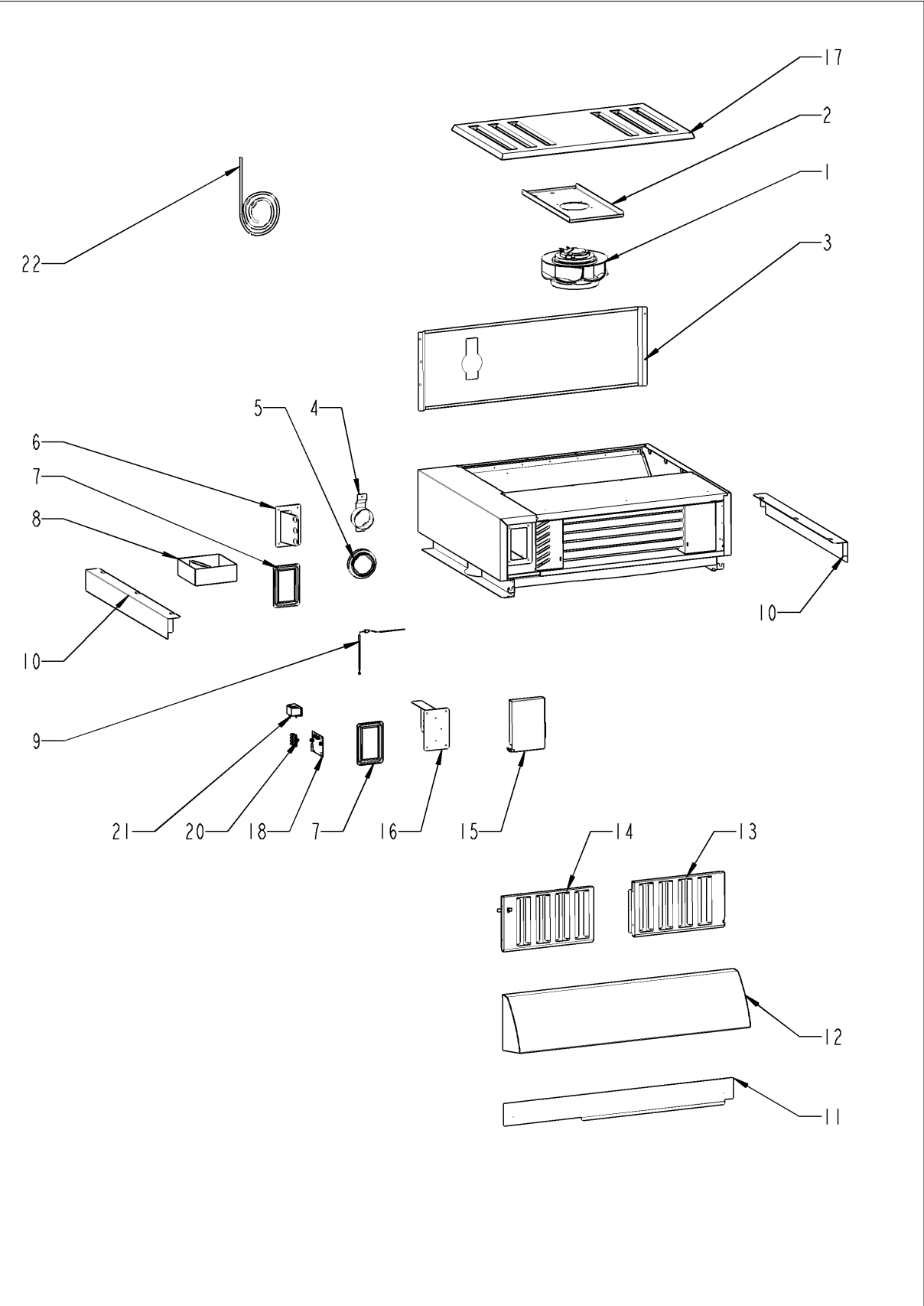
# UltraVent Plus



## UltraVent Plus

Pos.	Part no.	Description	Qty.
1	60.74.890S	Blower motor for UltraVent	1
1	60.74.889S	Blower motor for UltraVent	1
2	60.75.179S	Motor mounting plate	1
3	60.75.218S	Heat protection plate	1
4	60.75.215S	Closure Combi-Duo 70mm	1
5	60.75.156P	Gasket 70mm	1
6	60.75.171S	Electrical box cover back	1
7	60.75.212P	Electrical box seal	1
8	60.75.160P	Condensate collector 70mm	1
9	40.05.995P	Thermocouple	1
10	60.75.174P	side panels	1
11	60.75.177S	Front panel	1
12	60.75.199S	Front hood	1
13	60.76.456P	Baffle plate filter right	1
14	60.75.201P	Baffle plate filter left	1
15	60.75.209P	Electrical box cover	1
16	60.75.175S	Electric box cover front	1
17	60.76.572S	IPX5 Coverage	1
18	42.00.308S	Control pcb UltraVent	1
19	60.76.574P	spacer CPU	1
20	60.76.447S	Connection terminal	1
21	60.76.448S	power chokes	1
21	60.76.449P	Capacitors	1
22	40.06.597P	Bus cable	1
24	87.01.781S	Thermocouple	1
26	60.75.210P	HEPA filtert	1
27	60.75.214P	Prefilter metal mesh	1
28	60.76.528S	Pressure frame HEPA filtert	1
29	60.76.571S	filter cassette clp.	1
30	42.00.309S	Adapter pcb f. UVP	1
31	60.75.211P	Hose set Filter detection	1

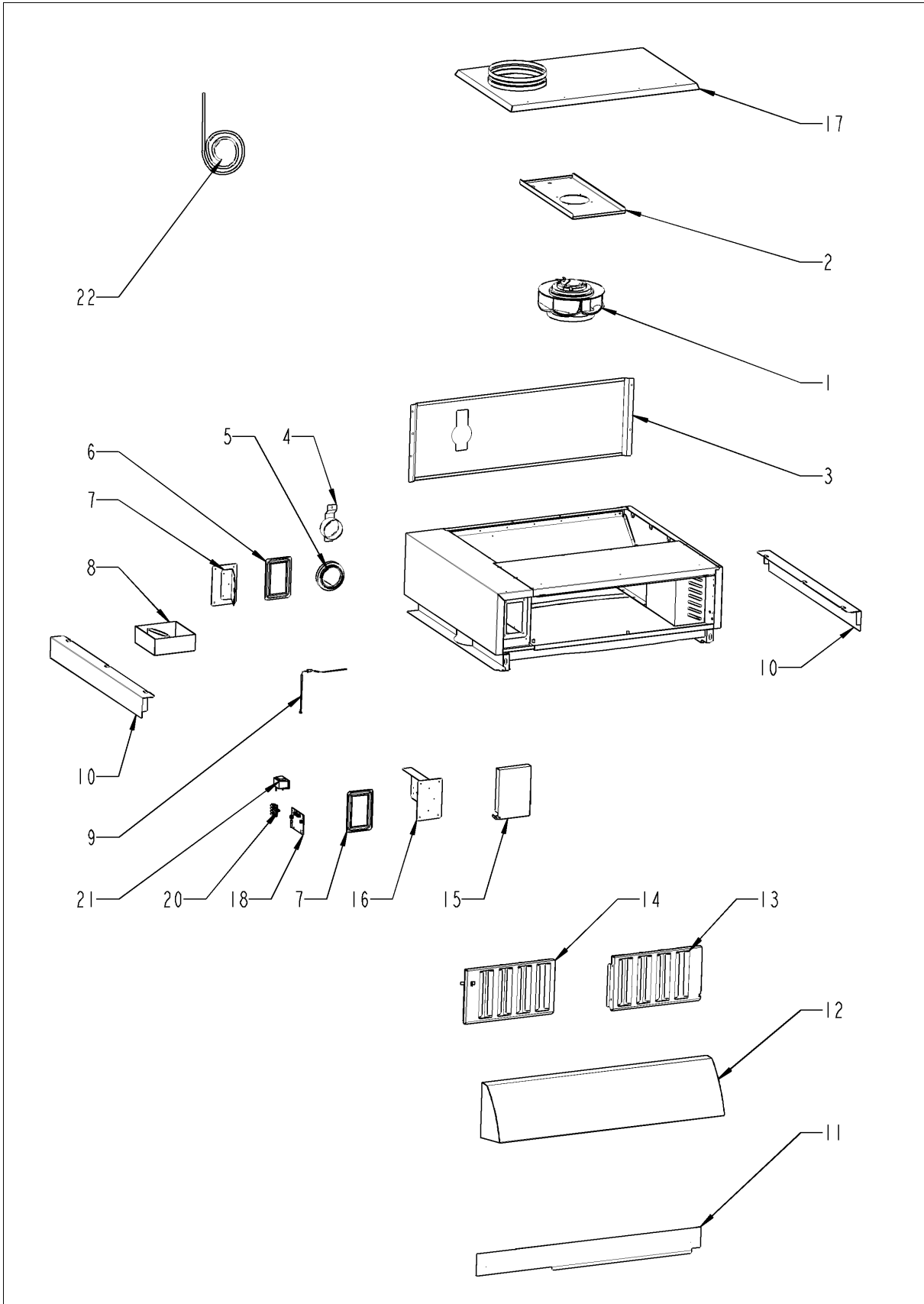
# UltraVent



## UltraVent

Pos.	Part no.	Description	Qty.
1	60.74.890S	Blower motor for Ultravent	1
1	60.74.889S	Blower motor for Ultravent	1
2	60.75.179S	Motor mounting plate	1
3	60.75.218S	Heat protection plate	1
4	60.75.215S	Closure Combi-Duo 70mm	1
5	60.75.156P	Gasket 70mm	1
6	60.75.171S	Electrical box cover back	1
7	60.75.212P	Electrical box seal	1
8	60.75.160P	Condensate collector 70mm	1
9	40.05.995P	Thermocouple	1
10	60.75.174P	side panels	1
11	60.75.177S	Front panel	1
12	60.75.195S	Front hood	1
13	60.76.456P	Baffle plate filter right	1
14	60.75.201P	Baffle plate filter left	1
15	60.75.209P	Electrical box cover	1
16	60.75.175S	Electric box cover front	1
17	60.76.534S	IPX5 Coverage	1
18	42.00.308S	Control pcb UltraVent	1
19	60.76.574P	spacer CPU	1
20	60.76.447S	Connection terminal	1
21	60.76.448S	power chokes	1
21	60.76.449P	Capacitors	1
22	40.06.597P	Bus cable	1
24	87.01.781S	Thermocouple	1

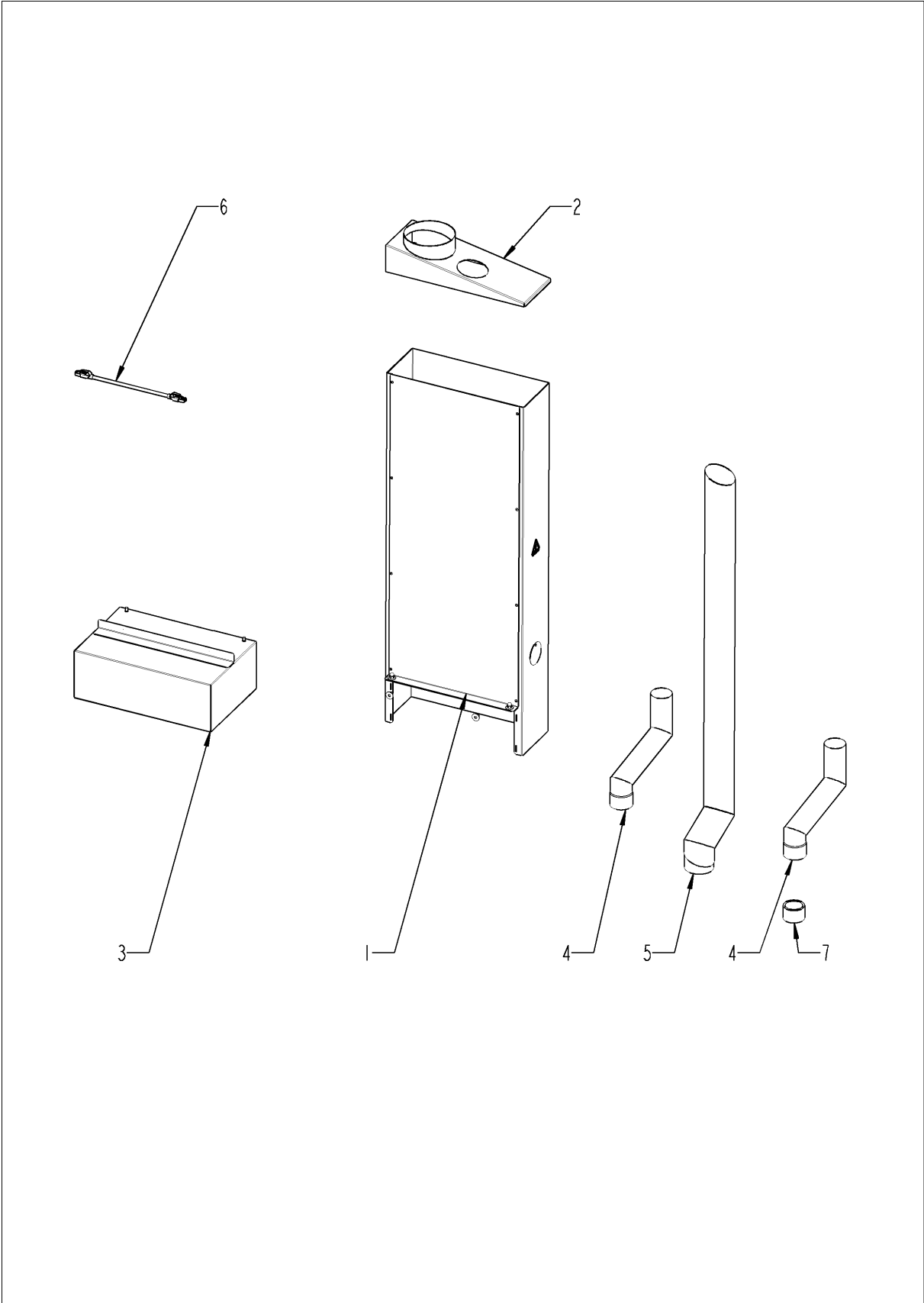
# Extractor hood



## Extractor hood

Pos.	Part no.	Description	Qty.
1	60.74.889S	Blower motor for UltraVent	1
1	60.74.890S	Blower motor for UltraVent	1
2	60.75.179S	Motor mounting plate	1
3	60.75.218S	Heat protection plate	1
4	60.75.212P	Electrical box seal	1
5	60.75.156P	Gasket 70mm	1
6	60.75.171S	Electrical box cover back	1
7	60.75.212P	Electrical box seal	1
8	60.75.160P	Condensate collector 70mm	1
9	40.05.995P	Thermocouple	1
10	60.75.174P	side panels	1
11	60.75.177S	Front panel	1
12	60.75.195S	Front hood	1
13	60.76.456P	Baffle plate filter right	1
14	60.75.201P	Baffle plate filter left	1
15	60.75.209P	Electrical box cover	1
16	60.75.175S	Electric box cover front	1
17	60.76.546S	Exhaust air plate	1
18	42.00.308S	Control pcb UltraVent	1
19	60.76.574P	spacer CPU	1
20	60.76.447S	Connection terminal	1
21	60.76.448S	power chokes	1
21	60.76.449P	Capacitors	1
22	40.06.597P	Bus cable	1
24	87.01.781S	Thermocouple	1

# CombiDuo

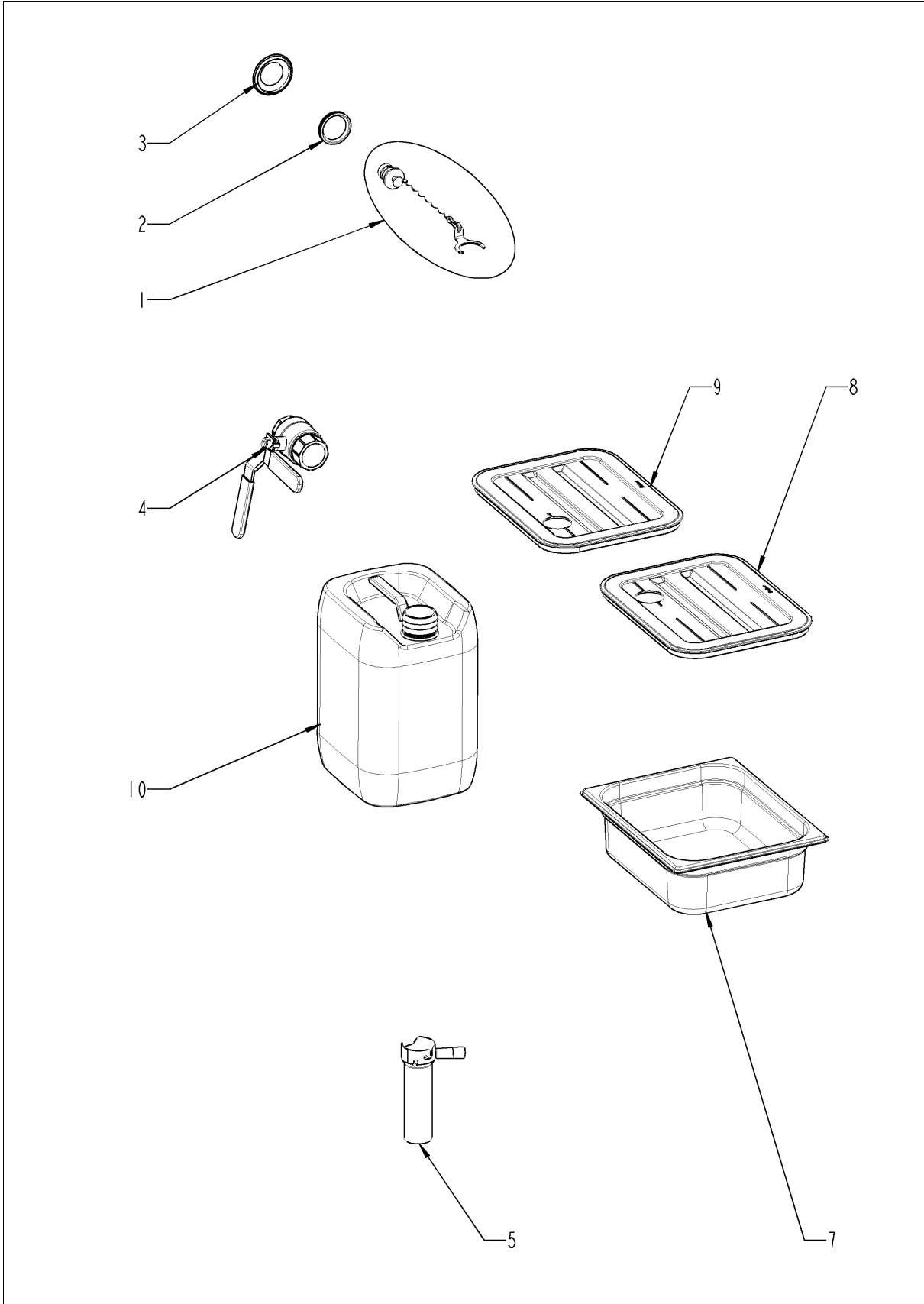


---

## CombiDuo

Pos.	Part no.	Description	Qty.
1	60.74.761S	Exhaust gas Stack	1
2	60.75.542P	Shaft cover	1
3	60.74.760S	Head protection cover	1
4	60.75.535P	Venting pipe for Combi-Duo	1
5	60.75.490P	Flue riser	1
6	40.05.839P	Bus cable RJ45 2.85m	1
7	60.76.442P	Adapter Flue riser	1

## Internal fat drain table unit

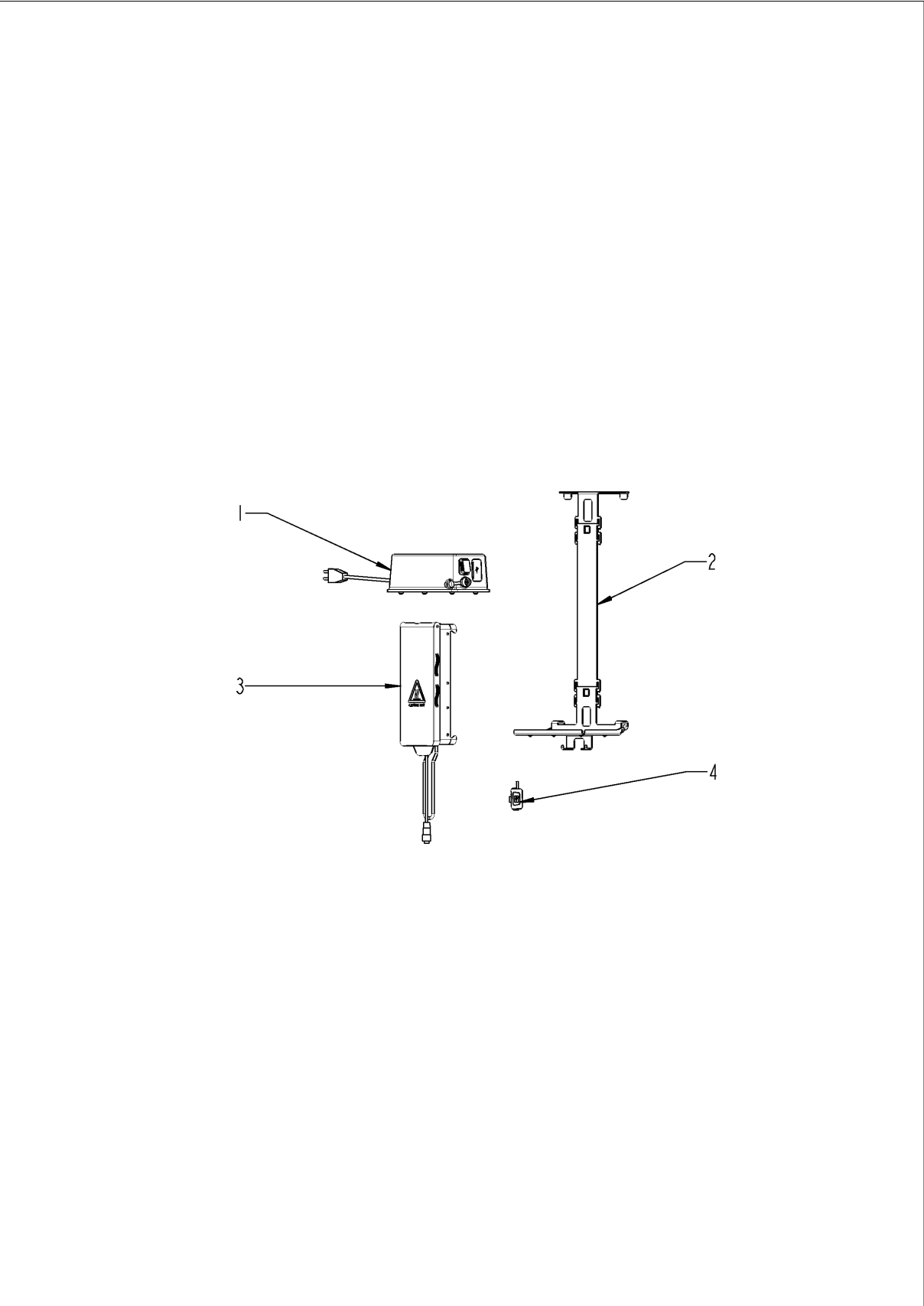


---

## Internal fat drain table unit

Pos.	Part no.	Description	Qty.
1	60.76.409P	End cap for Internal fat drain	1
2	60.74.564P	Gasket for int. fat drain	1
3	56.00.874P	Gasket wastewater	1
4	60.72.729P	Ball valve DN32 (1 1/4")	1
5	60.72.609P	Drain pipe, bayonet with handle	1
7	6013.1210	Tray, 1/2 GN, 100 mm (4") deep	1
8	60.72.696P	Lid for tray, hole right side, GN1/2	1
9	60.72.745P	Lid for tray, hole left side, GN1/2	1
10	60.72.619	Jerry can 10l (2,64USGAL)	1

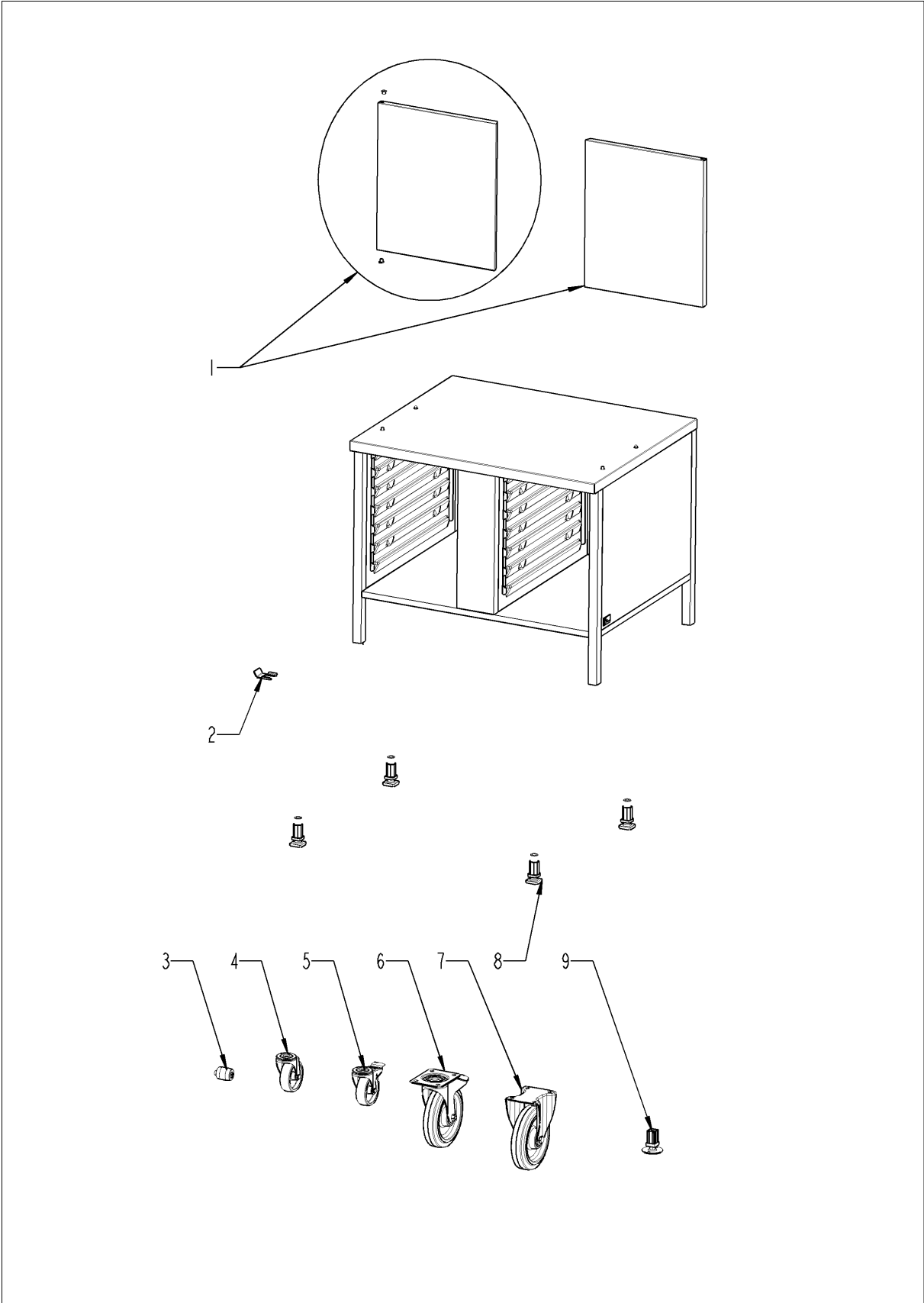
# VarioSmoker



## VarioSmoker

Pos.	Part no.	Description	Qty.
1	60.75.374P	Power supply for VarioSmoker *UK*	1
1	60.75.376P	Power supply for VarioSmoker *ARG*	1
1	60.75.378P	Power supply for VarioSmoker *CH*	1
1	60.75.386P	Power supply for VarioSmoker *BRA*	1
1	60.75.368P	Power supply for VarioSmoker *US*	1
1	60.75.372P	Power supply for VarioSmoker *EU*	1
2	60.76.115S	Mounting device kit for VarioSmoker	1
3	60.76.691P	Smoking box for VarioSmoker	1
4	40.06.837P	Interface cable USB VarioSmoker	1

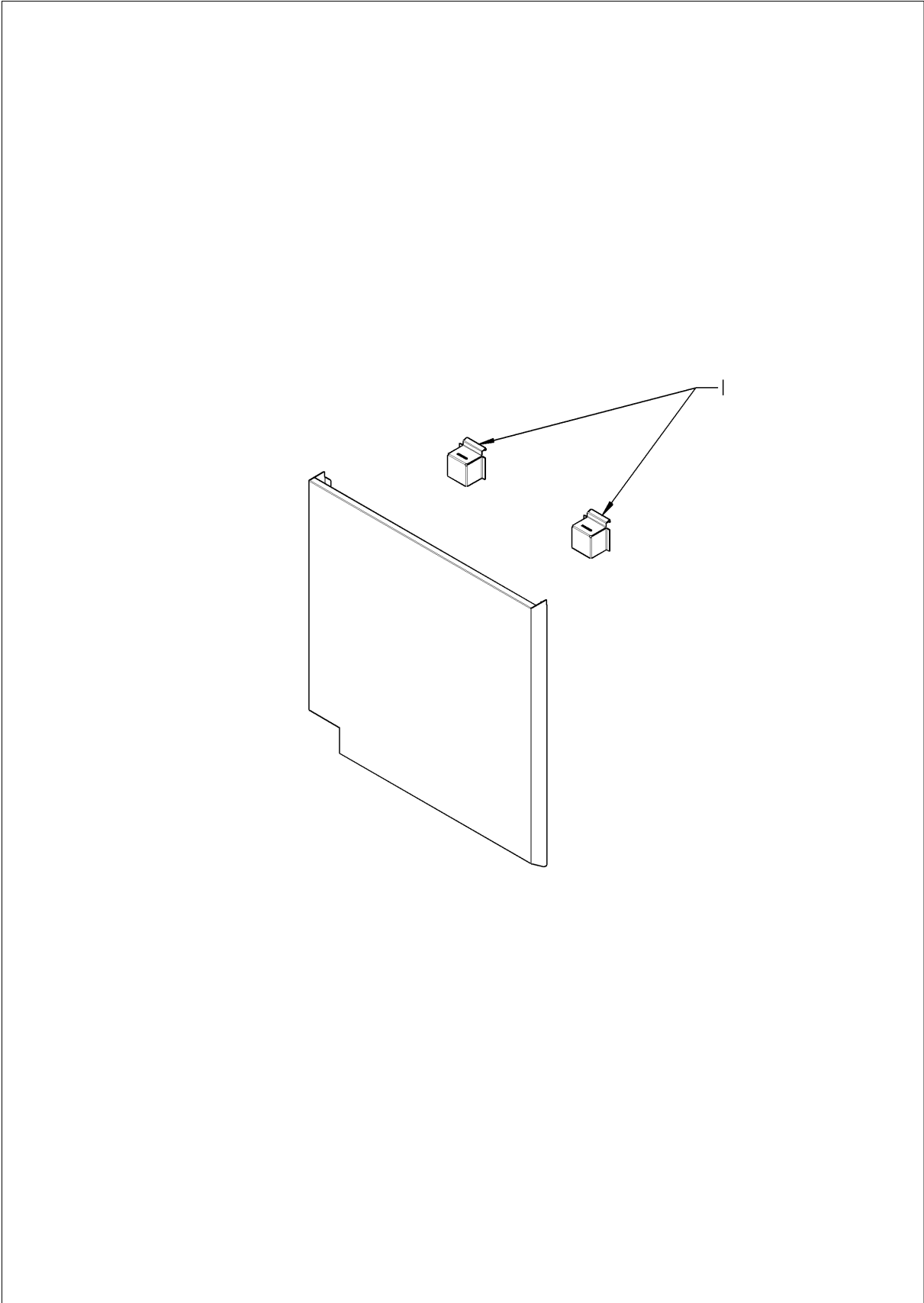
# Stands



## Stands

Pos.	Part no.	Description	Qty.
1	87.01.812S	Door 2/1	1
2	60.31.648P	Castor brake	1
3	60.76.291P	Castor for levelling kit	1
4	60.75.365P	Castor, 100mm without brake	1
5	60.75.366P	Castor, 100mm with brake	1
6	60.73.162S	Castor without brake D=200	1
7	60.73.163S	Castor with brake D=200	1
8	60.31.283P	Foot adjustable,30x30	1
9	60.31.351P	Stainless steel base	1

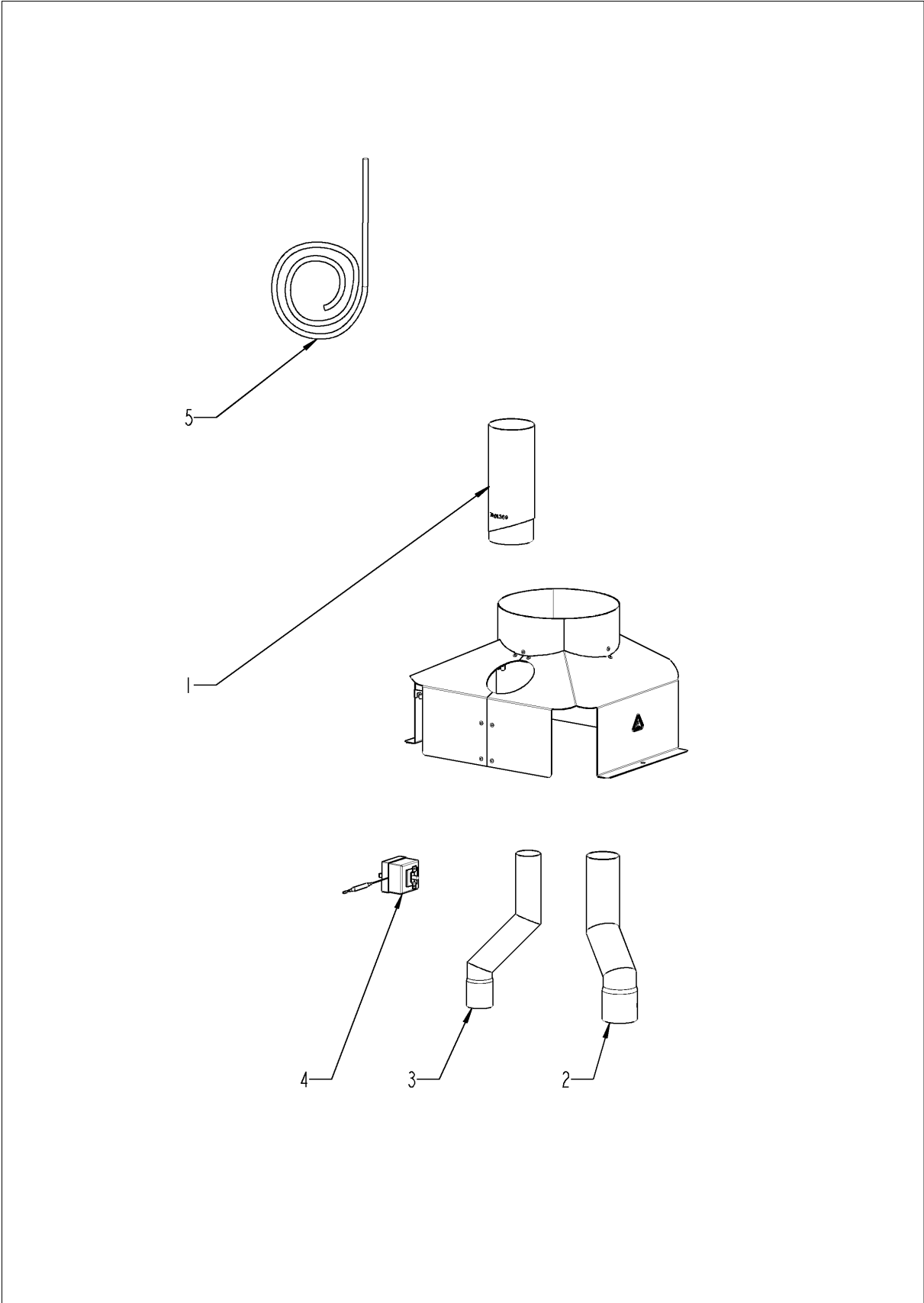
# Heat shield



## Heat shield

Pos.	Part no.	Description	Qty.
1	60.75.111P	heat shield holder top	1

# Flow guard



## Flow guard

Pos.	Part no.	Description	Qty.
1		Ventilation pipe extension	1
2		Exhaust pipe (Draft diverter)	1
3		Exhaust pipe (Draft diverter)	1
4		Safety temperature limiter 103°C	1
5		Cable draft diverter B13	1

## Index

Part no.	Description	Page
24.03.057P	Abrasion protection for glide socket .....	27
60.76.442P	Adapter Flue riser .....	49
42.00.309S	Adapter pcb f. UVP .....	43
22.01.154P	Air baffle .....	23
70.01.166P	Air hose adapter 90° DN50 .....	37
70.01.167P	Air hose adapter straight DN40 .....	37
40.05.424P	Air inlet filter cpl. ....	11, 29
87.01.713S	Air inlet pipe .....	13
40.06.566P	Air shaft cpl. ....	7
70.01.329P	Air supply, hot air .....	37
10.00.696P	Allen screw M4x6 w. Precoat 85 .....	19
70.01.205S	Automatic ignition controller .....	37
16.03.394P	Back panel, left .....	31
16.04.087P	Back panel, right .....	31
60.75.201P	Baffle plate filter left .....	43, 45, 47
60.76.456P	Baffle plate filter right .....	43, 45, 47
60.72.729P	Ball valve DN32 (1 1/4") .....	51
56.01.424P	Base panel left .....	29
56.01.425P	Base panel right .....	29
60.74.890S	Blower motor for Ultravent .....	43, 45, 47
60.74.889S	Blower motor for Ultravent .....	43, 45, 47
14.00.937P	Bracket for door contact switch .....	29
87.01.655S	Burner hot air .....	17
70.01.070P	Burner pipe .....	37
70.01.278S	Burner steam gen. kit .....	15
40.06.597P	Bus cable .....	43, 45, 47
40.05.858P	Bus cable 1.08m .....	7
40.07.146P	Bus cable 1.35m .....	7
40.07.148P	Bus cable 1.73m .....	7
40.05.839P	Bus cable RJ45 2.85m .....	49
56.01.682S	Bushing CleanJet pipe .....	35
40.06.854P	Cable A10-1xAxx .....	7

## Index

Part no.	Description	Page
40.06.777S	Cable bushing f. cable entry .....	7
40.04.495P	Cable connection M25 ø5mm *divisible* .....	7
40.06.065P	Cable control harness .....	7
40.06.760P	Cable control pcb - capacitive switch .....	5
40.06.569P	Cable CPU - TFT .....	5
87.01.620S	Cable entry .....	7
40.00.320S	Cable gland M20x1.5 .....	7
40.06.624P	Cable harness base .....	7
40.06.404P	Cable harness isolating transformer .....	7
40.06.878P	Cable holder .....	7
40.07.451P	Cable hot air probe - eSTB .....	7
40.06.250P	Cable, Care pump .....	7
40.06.079P	Cable, interior light W40 *door lighting* .....	27
40.07.452P	Cable, steam probe - eSTB .....	7
56.01.245P	Cap for door mounting support bottom .....	25, 35
10.01.076P	Cap nut M5*A2 .....	21, 23, 29
60.76.449P	Capacitors .....	43, 45, 47
56.01.466P	Care container with pump .....	35
56.01.510S	Care hose .....	35
91.01.135P	Carrying strap .....	39
60.31.648P	Castor brake .....	55
60.76.291P	Castor for levelling kit .....	55
60.73.163S	Castor with brake D=200 .....	55
60.73.162S	Castor without brake D=200 .....	55
60.75.366P	Castor, 100mm with brake .....	55
60.75.365P	Castor, 100mm without brake .....	55
50.00.156P	Clamp f. hand shower roll guide .....	33
10.00.087P	Clamp strap f. sensor .....	23
56.01.486P	Cleaning box .....	35
56.01.677P	CleanJet hose .....	35
60.75.215S	Closure Combi-Duo 70mm .....	43, 45
2001.0109P	Compression spring .....	25

## Index

<b>Part no.</b>	<b>Description</b>	<b>Page</b>
60.75.160P	Condensate collector 70mm .....	43, 45, 47
60.72.592	Condensation breaker .....	39
52.00.106S	Connect. hose f. hand shower roll guide .....	33
70.01.268P	Connection compensation tube .....	37
60.76.447S	Connection terminal .....	43, 45, 47
87.01.535S	Control panel insert with touch/TFT *RAT* .....	5
42.00.251P	Control pcb (w/o SD-Card) .....	5
42.00.308S	Control pcb UltraVent .....	43, 45, 47
40.05.993P	Cooling fan .....	7
1315.0104P	Copper washer 16x20x1,5 .....	23
10.01.755P	Countersunk screw M5x20 A2 .....	25, 29, 31
1003.2265P	Countersunk self tapping screw 4,2x16 .....	31
24.03.062P	Cover cap for door .....	27
16.03.735P	Cover f. control pcb w. gasket .....	5
24.04.596S	Cover for door magnet with magnet .....	27
16.04.110P	Cover for door mounting support .....	25
16.04.093P	Crossbar top .....	31
16.03.756P	Dial f. pulse generator .....	5
24.04.098S	Door .....	25
87.01.812S	Door 2/1 .....	55
24.03.040P	Door bolt .....	25
14.01.057P	Door bolt .....	25
24.02.990P	Door catch for 2-step lock .....	25
24.05.383P	Door drip collector .....	27
20.02.553P	Door gasket .....	23
24.04.083P	Door handle RATIONAL .....	25
24.03.213P	Door lock with spring U-bolt *2-step* .....	25
14.01.056P	Door mounting support bottom .....	25
24.04.217P	Door setting bolt .....	27
40.06.664P	Door switch .....	29
56.01.699P	Drain hose drip collector .....	35
56.01.519P	Drain hose set, humidity control, unit drip collector .....	13, 35

## Index

Part no.	Description	Page
44.02.751S	Drain hose steam generator .....	15
44.02.229P	Drain hose steam generator .....	15
60.72.609P	Drain pipe, bayonet with handle .....	51
24.05.345P	Drain seal for door drip collector .....	27
56.00.952P	Drawer Care container .....	35
74.01.039P	Earth electrode, hot air .....	19
60.75.175S	Electric box cover front .....	43, 45, 47
60.75.209P	Electrical box cover .....	43, 45, 47
60.75.171S	Electrical box cover back .....	43, 45, 47
60.75.212P	Electrical box seal .....	43, 45, 47
40.06.385P	Electrical mounting plate .....	9
44.02.287P	Emergency drainage hose .....	15
56.01.454S	Emergency overflow cleaning box .....	35
56.01.024P	Emptying pump .....	15
60.76.409P	End cap for Internal fat drain .....	51
60.76.546S	Exhaust air plate .....	47
60.74.761S	Exhaust gas Stack .....	49
87.01.559S	Fan motor .....	21
22.01.164S	Fan wheel .....	21
60.76.571S	filter cassette clp. ....	43
24.03.787S	Fixing bracket kit for interior glass pane .....	27
40.03.756P	Fixing clip f. pcb .....	9
40.06.053P	Fixing device for safety temperature limiter .....	23
16.03.747P	Fixing display / pcb .....	5
72.00.505P	Fixing plate steam generator thermostat .....	15
22.01.427P	Flange f. motor shaft gasket .....	21
60.75.490P	Flue riser .....	49
60.31.283P	Foot adjustable,30x30 .....	55
60.75.199S	Front hood .....	43
60.75.195S	Front hood .....	45, 47
16.03.637P	Front panel .....	31
60.75.177S	Front panel .....	43, 45, 47

## Index

Part no.	Description	Page
40.06.767P	Fuse 4A *Typ 5HT 4-R* .....	9
3019.0125P	Fuse 5x20mm .....	7
40.01.487P	Fuse holder 2pol .....	9
40.01.873P	Fuse SC-15A 10x38 .....	9
70.01.200P	Gas blower / gas valve kit .....	37
70.01.198P	Gas blower / gas valve kit .....	37
70.01.608S	Gas connection manifold .....	37
87.01.644S	Gas valve E01 .....	37
60.75.156P	Gasket 70mm .....	43, 45, 47
70.01.622P	Gasket corrugated hose .....	37
56.01.461P	Gasket DN60 .....	35
74.00.290P	Gasket electrode hot air .....	19
70.01.148P	Gasket f. blower burner .....	37
16.01.434P	Gasket f. breather tube d=73mm .....	29
72.00.408P	Gasket f. burner carrier .....	15
74.00.296P	Gasket f. heat exchanger below .....	17
70.01.258P	Gasket f. ignition electrode .....	15
54.01.168P	Gasket f. inspection lid .....	33
12.02.665P	Gasket for base frame .....	29
60.74.564P	Gasket for int. fat drain .....	51
74.01.119P	Gasket hot air heat exchanger/interior cabinet .....	17
44.02.200P	Gasket SC pump .....	15
56.00.874P	Gasket wastewater .....	51
24.04.898S	Glass pane bundle .....	27
22.01.425P	Graphit seal for gasket flange .....	21
56.01.422P	Grid cover .....	29
44.01.505P	Grommet Ø12x8,2 .....	15
52.00.127S	Hand shower black .....	33
52.00.096P	Hand shower roll guide .....	33
60.74.760S	Head protection cover .....	49
60.75.218S	Heat protection plate .....	43, 45, 47
60.75.111P	heat shield holder top .....	57

## Index

<b>Part no.</b>	<b>Description</b>	<b>Page</b>
60.75.210P	HEPA filtert .....	43
10.01.065P	Hex nut M5 .....	15, 17, 23
10.00.709P	Hex nut M6 w. locking .....	9, 21
10.01.751P	Hex nut M16 DIN934 A2 .....	23
10.01.747P	Hex screw M5x19 Torx T20 .....	37
10.01.892P	Hex screw M5x20 Torx T20 .....	37
10.01.719P	Hex screw M6x12 .....	25
10.00.099P	Hex screw M8x12 .....	25
10.00.936P	Hex screw M8x20 .....	21
10.01.208P	Hex screw M8x80 A2 .....	7
24.05.303S	Hinge cover .....	27
24.02.958P	Holding bracket f. door catch .....	25
16.03.749P	Hook for parking position .....	5
2066.0205P	Hose clamp 8-16x9 mm SW 7mm .....	15, 33
2066.0521P	Hose clamp 27mm .....	35
2066.0518P	Hose clamp 30mm .....	15
10.01.262P	Hose clamp 76 mm .....	33
10.00.982P	Hose clamp D=18.2 .....	35
2066.0527P	Hose clamp ø14mm .....	13, 35
10.01.686P	Hose clamp Ø82mm .....	33
70.00.188P	Hose fitting 3/4"-3/4" .....	37
56.00.752P	Hose fitting EPDM-70ShA .....	35
2067.0709P	Hose for water supply 2500mm .....	33
22.00.525P	Hose set f. humidity control .....	13
60.75.211P	Hose set Filter detection .....	43
50.02.117P	Hose, water supply, steam generator .....	15
74.01.180S	Hot air heat exchanger .....	17
22.01.402P	Humidity control cpl. ....	13
70.01.250S	Ignition electrode kit for steam generator .....	15
70.01.247S	Ignitionelectrode, hot air 350mm .....	19
54.01.863S	Inspection lid, B2 .....	33
72.00.077P	Insulation f. burner steam gen. ....	15

## Index

Part no.	Description	Page
40.06.409P	Interface cable LAN 1.5m .....	5, 7
40.06.837P	Interface cable USB VarioSmoker .....	53
40.06.327P	Interface LAN IPX6 .....	7
40.06.043P	Interface USB .....	7
24.02.960P	Interlocking tooth screw M5x6 .....	25
40.05.919P	IO-module .....	9
60.76.572S	IPX5 Coverage .....	43
60.76.534S	IPX5 Coverage .....	45
20.02.807P	Isolation for mounting plate for motor .....	21
60.72.619	Jerry can 10l (2,64USGAL) .....	51
87.01.624S	Kit Steam generator insulated .....	15
74.00.913P	L- insulator for ignition electrode, hot air .....	19
87.01.581S	LED bar .....	27
87.01.582S	LED optics .....	27
60.72.745P	Lid for tray, hole left side, GN1/2 .....	51
60.72.696P	Lid for tray, hole right side, GN1/2 .....	51
24.04.211P	Lock cover .....	25
50.02.112P	Locking plate f. water distribution .....	33
10.01.703P	Locking ring 16 mm .....	35
10.01.707P	Locking ring 25mm .....	15
40.07.257P	Loudspeaker K 64 WP FR .....	11
74.01.118P	Mating flange heat exchanger .....	17
40.06.808P	Meat probe sensor .....	23
16.03.748P	Metal cramp f. panel insert .....	5
42.00.359P	Micro SD card .....	5
44.02.495S	Molded hose with level electrode .....	15
42.00.278P	Motor control for fan motor .....	21
60.75.179S	Motor mounting plate .....	43, 45, 47
22.00.985P	Motor shaft gasket D15 .....	21
40.05.435P	Mounting device f. pressure sensor .....	13
60.76.115S	Mounting device kit for VarioSmoker .....	53
22.01.423P	Mounting support f. gasket flange .....	21

## Index

Part no.	Description	Page
40.04.953P	Mounting support for pump pcb .....	9
40.05.968P	Mounting support power transformer .....	7
50.02.004P	Nozzle f. moistening .....	17
56.01.481P	O Ring emergency overflow .....	35
42.00.357P	Operator pcb *TFT* .....	5
10.01.694P	O-ring for humidity control .....	13
56.01.631P	O-ring for pump .....	35
1008.0768P	Ornamental screw M8x16 .....	25
56.01.503P	Outlet sieve .....	23
56.01.419P	Plastic cap .....	29
50.02.006P	Plastic pipe PEEK .....	17
24.05.458P	Plastic spreader rivet .....	27
50.00.085P	Plug-in spring f. hand shower roll guide .....	33
60.71.022	Positioning support for core sensor .....	39
60.76.448S	power chokes .....	43, 45, 47
42.00.286P	Power supply .....	9
40.06.756P	Power supply cable 3xAWG14 3m .....	7
60.75.376P	Power supply for VarioSmoker *ARG* .....	53
60.75.386P	Power supply for VarioSmoker *BRA* .....	53
60.75.378P	Power supply for VarioSmoker *CH* .....	53
60.75.372P	Power supply for VarioSmoker *EU* .....	53
60.75.374P	Power supply for VarioSmoker *UK* .....	53
60.75.368P	Power supply for VarioSmoker *US* .....	53
40.06.005P	Power transformer .....	7
60.75.214P	Prefilter metal mesh .....	43
60.76.528S	Pressure frame HEPA filtert .....	43
3017.1011P	Pressure sensor Huba 401 .....	13
40.06.037P	Pulse generator .....	5
56.01.028P	Pump f. CareControl .....	35
56.01.020P	Pump f. cleaning .....	35
40.06.625P	Pump harness .....	7
44.02.179S	Pump housing .....	15

## Index

Part no.	Description	Page
42.00.273P	Pump pcb .....	9
10.00.515P	Rivet 3,2x6.8 A2/NSF .....	23
1604.0161P	Rivet 4x6 CNS .....	27
10.00.904P	Rivet B4x8 .....	27
10.00.989P	Rivet with screw .....	7, 9, 27, 29, 37
10.02.008P	Rivet with screw .....	27
40.01.358P	Rocker switch 1 pole .....	9
54.01.729S	Rubber form piece venting pipe .....	33
87.01.548S	Safety device / water supply for steam generator .....	15
40.06.684P	Safety temperature limiter .....	23
40.06.098P	Screen core temperature sensor .....	23
40.05.489P	Screen interior cabinet sensor .....	23
16.04.062P	Sealing block .....	5
16.03.701P	Sealing block LAN .....	5
16.03.342P	Sealing f. panel insert .....	5
42.00.346P	Sensor on / off .....	5
60.75.542P	Shaft cover .....	49
16.03.419P	Side panel left .....	31
16.04.079P	Side panel right .....	31
60.75.174P	side panels .....	43, 45, 47
56.01.688S	Silicone hose with hose clamps .....	35
24.03.056P	Slide bush for door .....	27
10.01.902P	Slotted head screw M5X16 T25 .....	37
60.76.691P	Smoking box for VarioSmoker .....	53
1104.0820P	Snap nut 4,2mm .....	31
50.02.054P	Solenoid valve fivefold .....	33
60.76.574P	spacer CPU .....	43, 45, 47
24.03.764P	Spacer for door .....	27
60.31.351P	Stainless steel base .....	55
50.02.133P	Supply hose for "Care box" .....	35
50.02.146P	Supply hose for moistening .....	33
44.02.227S	Supply hose safety armature .....	15

## Index

Part no.	Description	Page
40.06.112P	Temperature sensor eSTB *HA* .....	23
40.06.131P	Temperature sensor eSTB 240mm *S* .....	15
40.05.995P	Thermocouple .....	43, 45, 47
87.01.781S	Thermocouple .....	43, 45, 47
40.06.212S	Thermocouple humidity *B4* .....	23
40.06.593P	Thermocouple interior cabinet B1 .....	23
40.06.230P	Thermocouple steam generator *B5* .....	15
1205.0120P	Tooth lock washer A5,3 .....	29
16.03.420P	Top cover .....	31
6013.1210	Tray, 1/2 GN, 100 mm (4") deep .....	51
50.02.005P	Union nut .....	17
40.06.044P	USB socket with cable .....	5
72.00.492P	V Clamp 50mm right .....	15
22.01.409P	Vent cover .....	13, 29
54.01.928P	Ventilation pipe .....	33
60.75.535P	Venting pipe for Combi-Duo .....	49
1308.0162P	Washer A8,4 .....	21
56.01.523P	Waste water cover .....	29
56.01.017P	Waste water pump Cleaning box .....	35
87.01.738S	Wire set earth - ignition electrode .....	37

