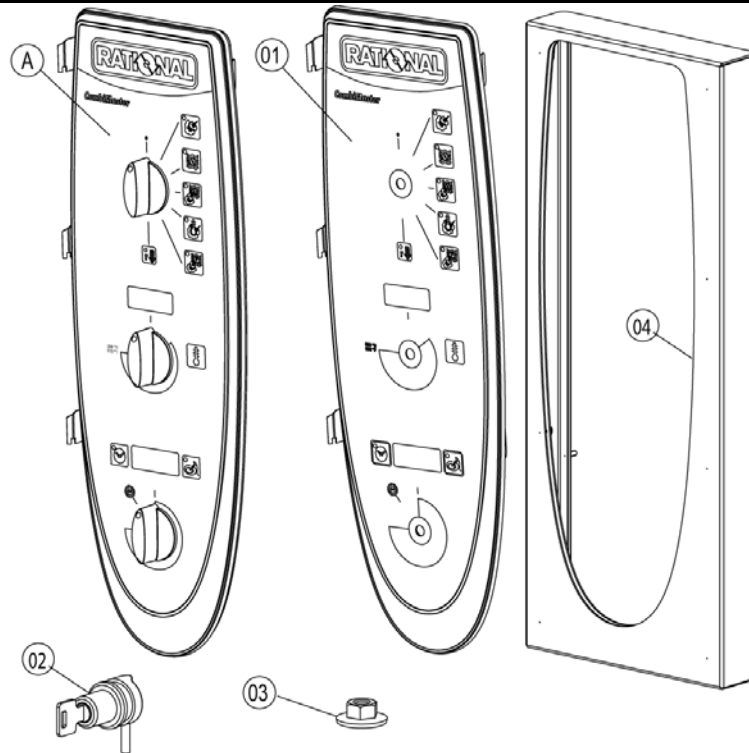


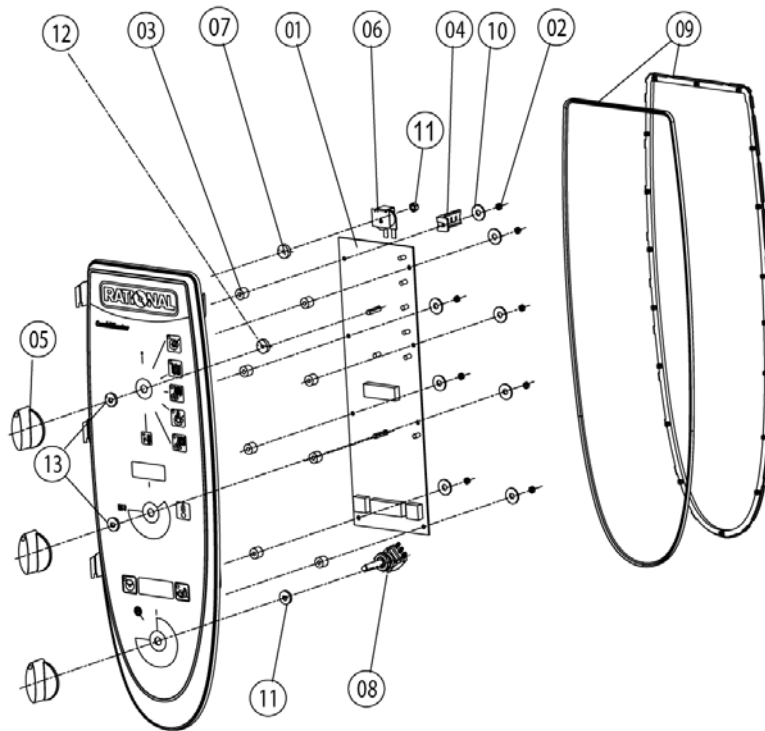
Item no.	Part no	Reference	Description
1		<a href="#">►1</a>	Control panel
2		<a href="#">►2</a>	Electrical installation
3		<a href="#">►3</a>	Clima Plus
4		<a href="#">►4</a>	Steam generator, Bypass
5		<a href="#">►5</a>	Hot air heating
6		<a href="#">►6</a>	Motor and fan wheel
7		<a href="#">►7</a>	Interior cabinet
8		<a href="#">►8</a>	Door
9		<a href="#">►9</a>	Water supply, quenching box
10		<a href="#">►10</a>	Hand shower
13		<a href="#">►13</a>	Exterior cabinet
14		<a href="#">►14</a>	Miscellaneous

---

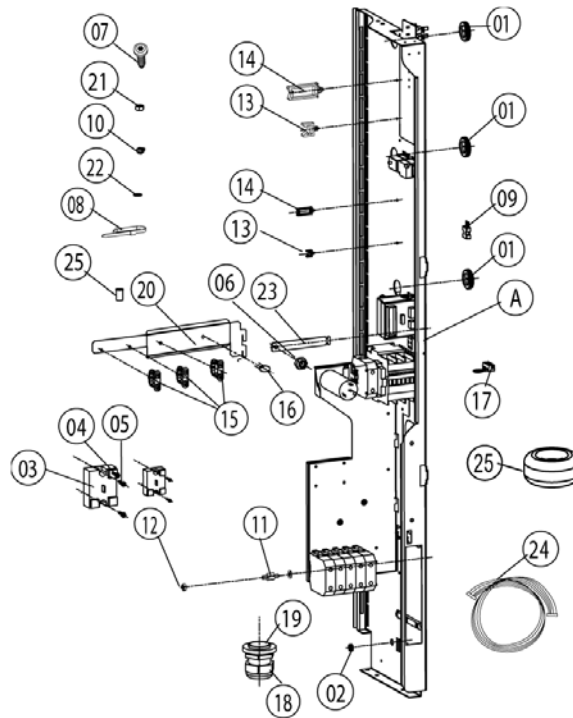
1	Control panel .....	3
1.A	Control panel.....	4
2	Electrical installation .....	5
2.A	Contactor assembly .....	6
3	Clima Plus.....	8
4	Steam generator, Bypass .....	9
4.A	Pump connection spout cpl. ....	10
4.B	Venting valve for steam generator .....	11
5	Hot air heating .....	12
6	Motor and fan wheel .....	13
7	Interior cabinet .....	14
7.A	Interior cabinet welded .....	15
7.B	Gasket frame w. glass a. gaskets .....	16
7.C	Air baffle.....	17
8	Door .....	18
8.A	Door .....	20
8.C	Door catch.....	21
9	Water supply, quenching box.....	22
10	Hand shower.....	23
13	Exterior cabinet.....	24
13.A	Exterior cabinet .....	25
14	Miscellaneous .....	26



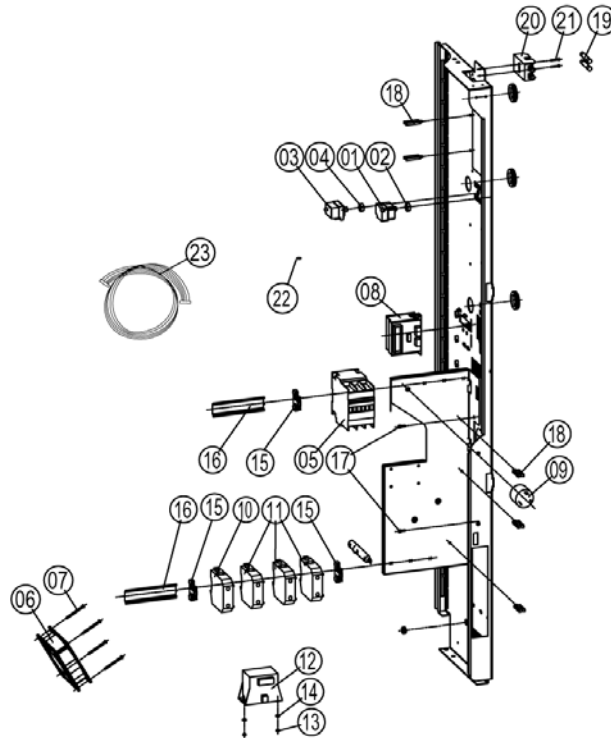
Item no.	Part no	Reference	Description
A		<a href="#">►1.A</a>	Control panel
1	87.00.001		Control panel insert with overlay



Item no.	Part no	Reference	Description
1	42.00.004		Control pcb Index "ME"
2	1104.0121		Hex nut M4 self locking
3	10.00.355		Spacer black
4	2020.0400		Fixing device for cable harness
5	16.00.282		Dial
6	40.02.087		Buzzer
6	3006.0107		Buzzer
7	5110.1028		Gasket poti hot air, core temperature
8	40.00.464		Potentiometer CT
9	16.00.387		Mounting device f.sealing + sealing lip
10	1306.0218		Washer A4,3
11	1103.0122		Hex nut M3 self-locking
12	5110.1029		Gasket mode switch
13	5110.1027		Distance plate for front panel



Item no.	Part no	Reference	Description
A		<a href="#">►2.A</a>	Contacteur assembly
1	4007.0620		Membrane DGC 29
2	10.00.510		Grommet 10/12/16-2
3	40.00.453		Solid state relais
4	10.00.507		Pan head screw Torx 5/16" T20
5	10.00.444		Raised countersunk head screw Torx M4x8
6	1106.0224		Hex nut M6 self locking
7	10.00.065		Countersunk screw Torx T20 M4x12
8	4005.0101		Tie rap 145 mm
9	42.00.007		External memory
10	1104.0801		Cage nut M4
11	10.00.243		Spacer M4x8
12	1104.0120		Hex nut M4
13	10.00.112		Cable clip short
14	10.00.111		Cable clip long
15	10.00.417		Fixing device for cable harness
16	10.00.471		Cable clip d10-12mm
17	40.00.338		Sicotronic-terminal *screw typ*
20	40.01.355		Fixing device f. cable guide
21	1106.0160		Hex nut M6
22	1206.0120		Tooth lock washer A6,4
23	40.01.132		Center fixation f. contactor assembly
24	40.00.471		Bus cable 0.8m
24	40.00.472		Bus cable 1.3m
26	1104.0400		Rivet nut M4



Item no.	Part no	Reference	Description
1	40.01.329		Dry up protector 160°
2	3014.0302		Hex nut M10 for dry-up protector
3	40.01.482		Safety temperature limiter 365°C
4	3014.0327		Hex nut M10x1,0
5	40.01.559		Contacteur CL09A300M6-M
6	40.00.474		Cooling fan D.C.
7	10.00.238		Screw Torx 4x50
8	40.00.333		Halogen transformer
9	40.01.613		Varistor
10	4001.1233		Terminal block yellow/green 35mm <sup>2</sup>
11	4001.1206		Terminal block 35mm <sup>2</sup> grey
12	40.00.592		Transformer f. cooling fan
13	1105.0120		Hex nut M5
14	1305.0160		Washer A5,3x10mm
15	4001.1203		End plate for mounting rail
16	2620.370233		Installation rail for Contactor 100mm
16	2620.380129		Installation rail for Contactor 130mm
16	2816.1307		Installation rail for Contactor 140mm
17	10.00.061		Pan head screw Torx T20 M4x12
18	10.00.111		Cable clip long
19	40.01.588		Fuse SC-8A 10x38
20	40.01.487		Fuse holder 2pol
21	10.00.364		Pan head screw Torx M3x12
22	10.00.244		- Unterlegscheibe A3.2
23	40.00.212		Cable buzzer
23	40.01.475		Cable clock switch USA
23	40.00.239		Cable contactor-SSR
23	40.01.280		Cable control harness
23	40.00.235		Cable control SSR



**CM 201E**

**Valid as of E21ME0404 up to  
E21ME0601**

Electrical unit

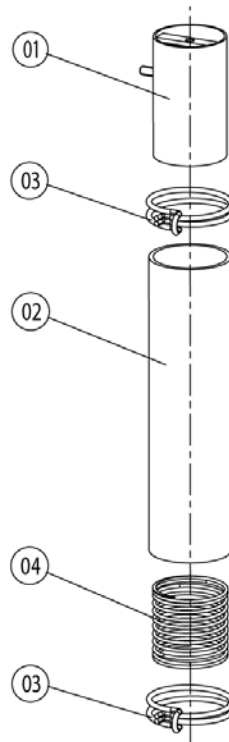
▶ **2.A Contactor assembly**

**2**

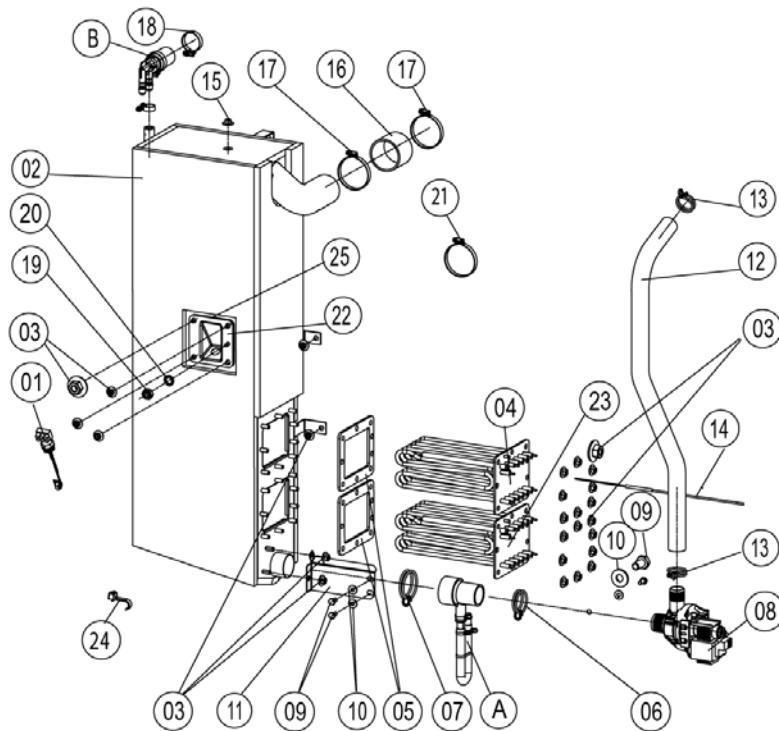
2 Electrical installation

Voltage **3 AC 208V 60Hz**

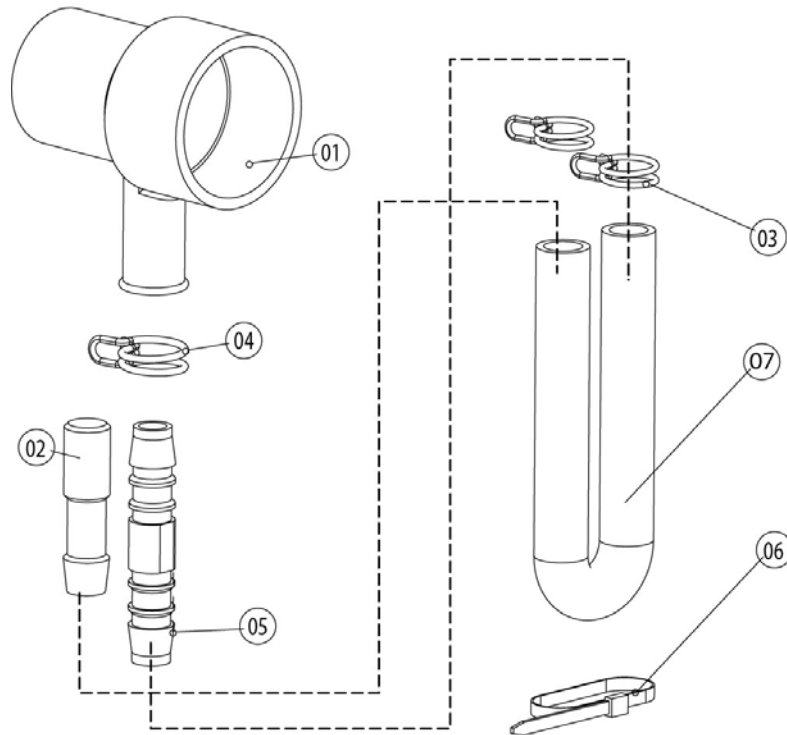
Item no.	Part no	Reference	Description
23	<a href="#">40.00.205</a>		Cable level electrode
23	<a href="#">40.00.219</a>		Cable SC pump
23	<a href="#">40.00.220</a>		Cable solenoid valve



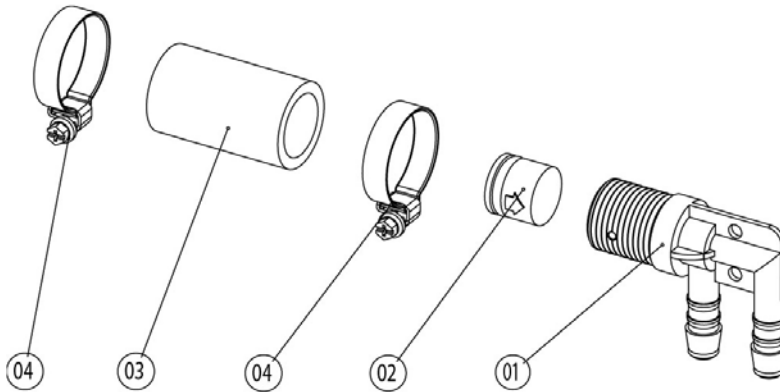
Item no.	Part no	Reference	Description
1	<a href="#">22.00.324</a>		Safety valve
2	<a href="#">22.00.214</a>		Hose d50x202
3	<a href="#">2066.0531</a>		Hose clamp ø56
4	<a href="#">2001.0124</a>		Compression spring



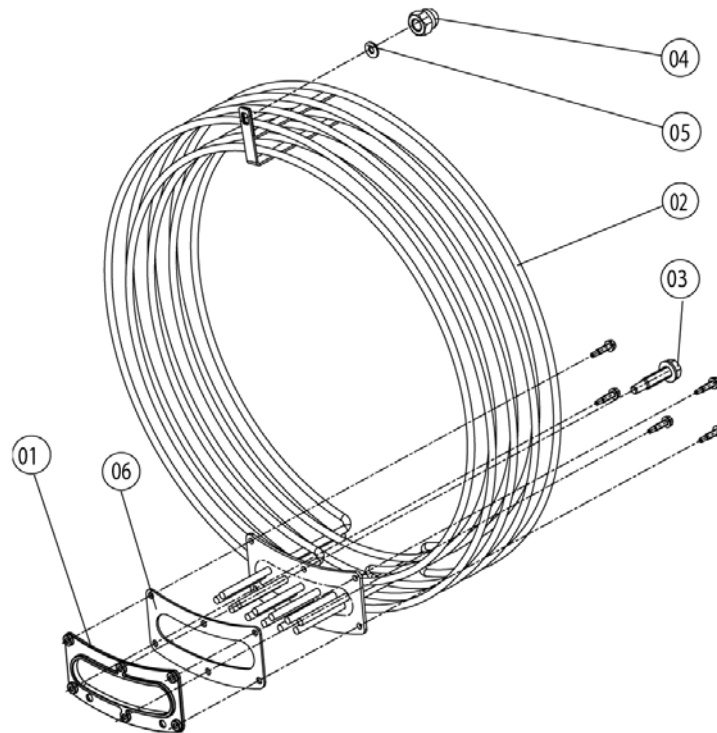
Item no.	Part no	Reference	Description
A	8354.1320	<a href="#">►4.A</a>	Pump connection spout cpl.
B	8354.1304	<a href="#">►4.B</a>	Venting valve for steam generator
1	3002.0402		Filling level electrode 90 mm
2	44.00.174		Steam generator insolated
3	1106.0803		Hex combination nut M6 galv
4	44.00.295		Heating element
5	44.00.279		Gasket f. heating element
6	2066.0519		Hose clamp 35,6mm
7	2066.0526		Hose clamp $\varnothing$ 46mm
8	44.00.207		Emptying pump
9	1006.0762		Hex screw M6x10
10	1306.0222		Washer A6,4x15x1,5
11	44.00.232		Fixing device f. pump steam generator
12	44.00.233		Drain hose steam generator
13	2066.0518		Hose clamp 30mm
14	40.00.291		Thermocouple steam generator
15	1104.0122		Hex combination nut M4 galv
16	2112.1006		Steam hose 50x7mm
17	2066.0504		Hose clamp 40-60mm
18	2066.0506		Hose clamp 20-32mm
19	1105.0120		Hex nut M5
20	1205.0120		Tooth lock washer A5,3
21	2066.0300		Hose clamp 50-70 mm
22	2920.1300		Level elektrode insert
24	10.00.414		Cable strap black 120°
25	44.00.280		Gasket f. heating element+Level elektrode insert



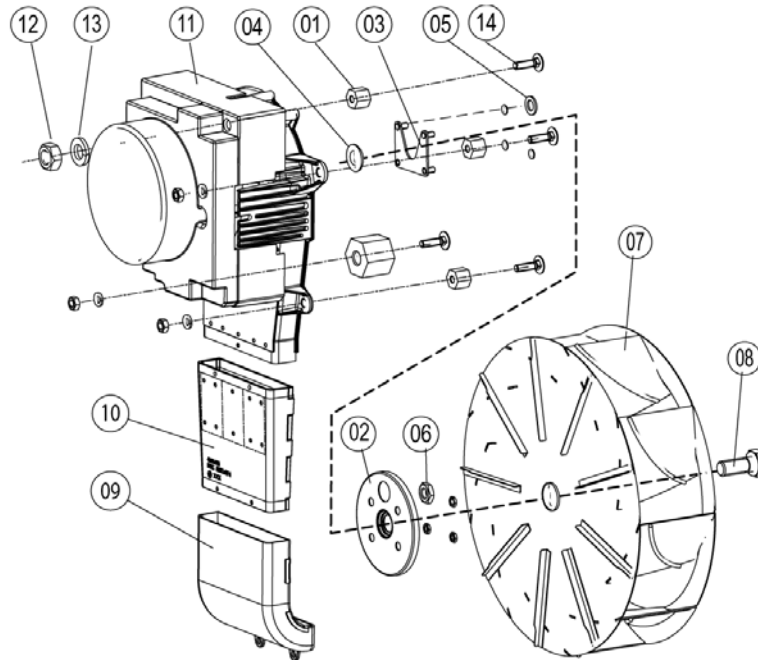
Item no.	Part no	Reference	Description
1	2118.1000		Pump connection spout
2	2120.1259		Stop plug 10mm
3	2066.0527		Hose clamp $\varnothing$ 14mm
4	2066.0530		Hose clamp $\varnothing$ 16.4mm
5	2062.0331		Junction pressure hose GS 10
6	4005.0101		Tie rap 145 mm



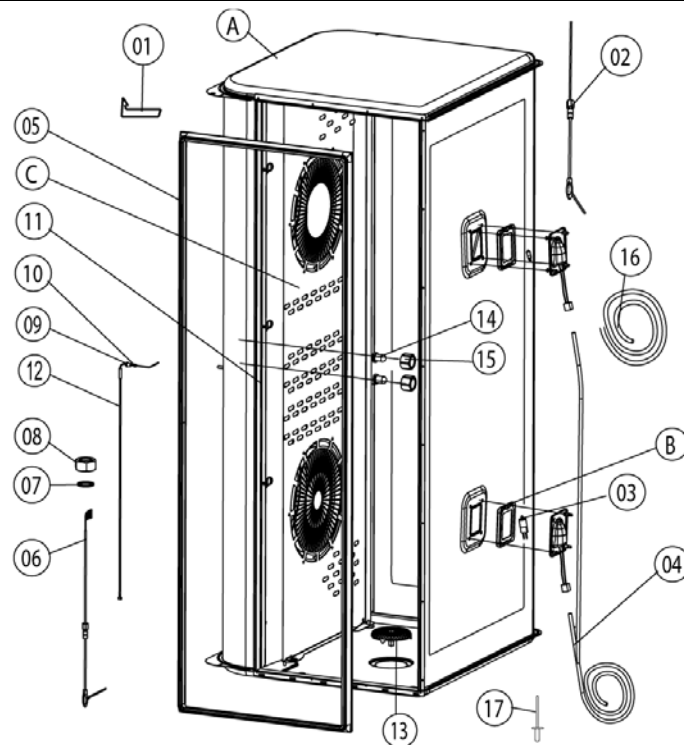
Item no.	Part no	Reference	Description
1	<a href="#">2062.0332</a>		Receptacle for ventilation valve SG
2	<a href="#">2069.0108</a>		Ventilation valve
3	<a href="#">2112.1310</a>		Form hose for ventilation of steam generator
4	<a href="#">2066.0506</a>		Hose clamp 20-32mm



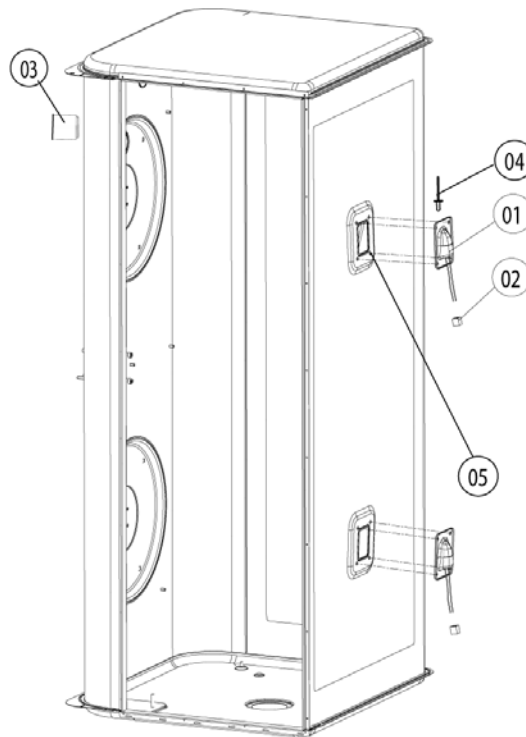
Item no.	Part no	Reference	Description
1	<a href="#">40.00.305</a>		Mating flange f. heating assembly
2	<a href="#">40.00.595</a>		Heating assembly
3	<a href="#">10.00.109</a>		Hex screw M5x23
4	<a href="#">1106.0360</a>		Cap nut M6, high shape
5	<a href="#">1306.0222</a>		Washer A6,4x15x1,5
6	<a href="#">40.00.332</a>		Gasket f. heating assembly



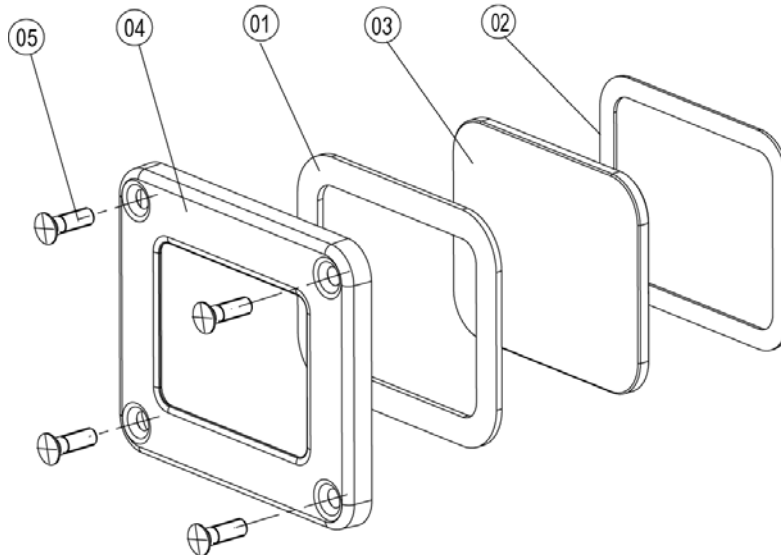
Item no.	Part no	Reference	Description
1	2120.1306		Spacer SW19x17
2	22.00.123		Flange f. motor shaft gasket
3	22.00.120		Mounting support f. gasket flange
4	22.00.083		Motor shaft gasket
5	1315.0101		Copper washer 6x10
6	1106.0220		Hex nut M6 flat
7	22.00.188		Fan wheel d340x110
8	1008.0763		Hex screw M8x20
8	10.00.565		Hex screw M8x20
10	40.00.435		Exhaust channel f. SSR
11	40.00.274		Fan motor
12	10.00.071		Hex nut M8
12	1108.0260		Hex nut M8
12	10.00.710		Hex nut M8 w. locking
13	1208.0260		Spring washer B8
14	1008.1005		Square necked mushroom head bolt 8x40



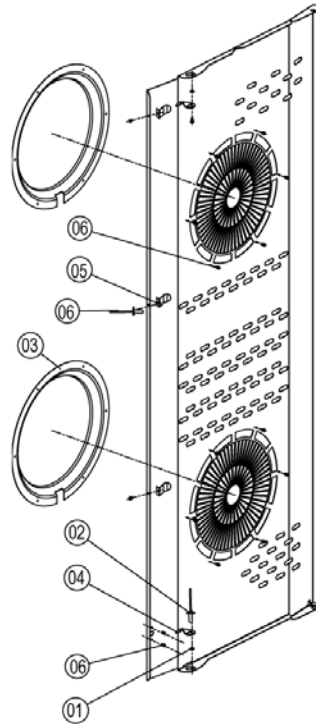
Item no.	Part no	Reference	Description
A		<a href="#">►7.A</a>	Interior cabinet welded
B	<a href="#">40.00.091</a>	<a href="#">►7.B</a>	Gasket frame w. glass a. gaskets
C	<a href="#">22.00.297</a>	<a href="#">►7.C</a>	Air baffle
1	<a href="#">40.00.520</a>		Screen interior cabinet sensor
3	<a href="#">3024.0201</a>		Halogen bulb for interior cabinet 300°C
4	<a href="#">40.00.229</a>		Wiring interior light
5	<a href="#">20.00.398</a>		Door gasket
6	<a href="#">40.02.102</a>		Meat probe sensor
6	<a href="#">40.00.298</a>		Meat probe sensor
7	<a href="#">1315.0104</a>		Copper washer 16x20x1,5
8	<a href="#">10.00.422</a>		Hex nut M16
9	<a href="#">3014.0162</a>		Sealing cone for thermocouple
10	<a href="#">3014.0163</a>		Gasket sleeve with nipple
11	<a href="#">22.00.220</a>		Air baffle support
11	<a href="#">22.00.458</a>		Air baffle support
12	<a href="#">40.00.594</a>		Thermocouple interior cabinet B1
13	<a href="#">2005.0308</a>		Outlet sieve
17	<a href="#">10.00.515</a>		Rivet 3,2x5 A4



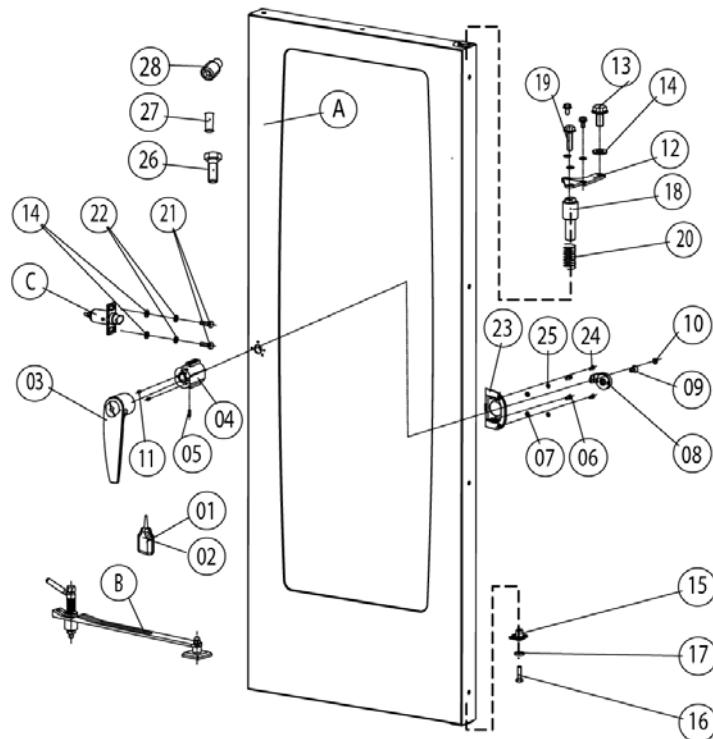
Item no.	Part no	Reference	Description
1	<a href="#">40.00.098</a>		Reflector f. interior light
2	4001.1248		Porcelain connector 2-pin interior light
3	<a href="#">2120.1277</a>		Base for sensor connection
4	1603.0167		Tubular rivet 3,2x0.25x10
5	<a href="#">10.00.041</a>		Rivet nut M5 hexagon closed



Item no.	Part no	Reference	Description
1	<a href="#">40.00.093</a>		Outer gasket f. interior light
2	<a href="#">40.00.094</a>		Inner gasket f. interior light
3	<a href="#">40.00.095</a>		Glass pane f. interior light
4	40.00.096		Gasket frame f. interior light
5	10.00.682		Phillips countersunk-head screw M5x16



Item no.	Part no	Reference	Description
1	1304.0160		Washer A4,3
2	1604.0167		Rivet 4x10
3	22.00.332		Air sucking ring f. air baffle
4	2760.1370		Latch hook for air baffle
5	40.01.289		Fixing clip core temp. cable
6	10.00.515		Rivet 3,2x5 A4
6	1603.0168		Rivet 3,2x8 A4
6	1603.0168		Rivet 3,2x8 A4



Item no.	Part no	Reference	Description
A	24.00.121	<a href="#">►8.A</a>	Door
C	8514.1307	<a href="#">►8.C</a>	Door catch
1	2001.0042		Loctite 243 10 ml
2	2001.0046		Loctite 272
3	24.00.136		Door handle
4	8474.1410		Door lock
5	1005.1901		Straight pin $\varnothing 5,6 \times 16$
6	1006.0761		Hex screw M6x12
6	10.00.698		Hex screw M6x12 w. precoat 85
7	1206.0261		Spring washer B6
8	2940.1305		Door bolt
9	1008.1963		Hex socket countersunk head screw M8x16
10	2039.0309		Cover cap for door
11	1004.0665		Allen screw M4x6
11	10.00.696		Allen screw M4x6 w. Precoat 85
12	24.00.133		Door mounting support top
13	1008.0768		Ornamental screw M8x16
14	1308.0160		Washer A8,4
15	24.00.145		Door bolt
16	1008.0766		Hex screw M8x30
17	1308.0162		Washer A8,4
18	24.00.048		Door bolt
19	1008.0769		Ornamental screw M8x30
20	2001.0109		Compression spring
21	1008.0761		Hex screw M8x25
22	1208.0260		Spring washer B8
23	24.00.216		Mounting braket f. door lock
24	1008.0752		Hex screw M5x10
24	10.00.697		Hex screw M5x10 w. precoat 85

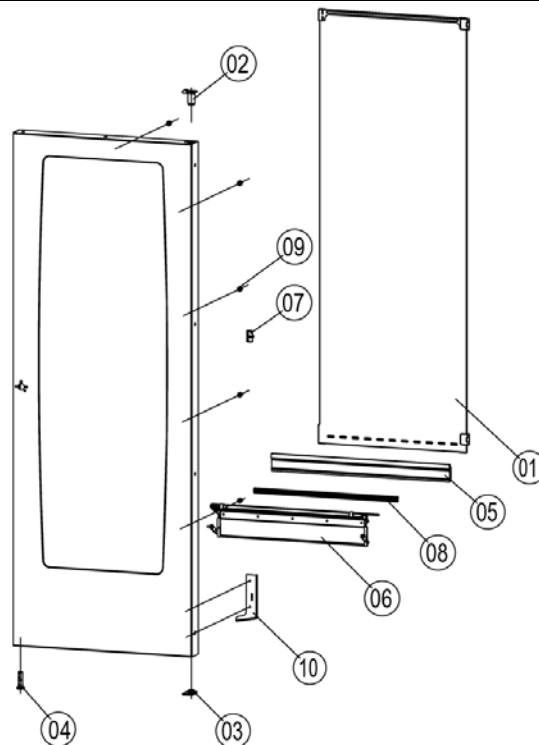


# CM 201E

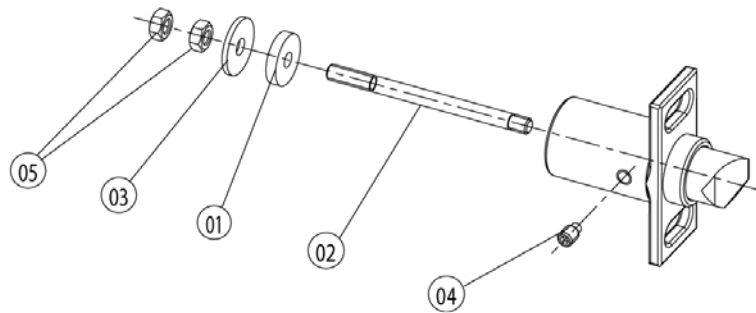
Valid as of **E21ME0404** up to  
**E21ME0601**

Electrical unit	▶ <b>8 Door</b>	<b>8</b>
	8 Door	Voltage <b>3 AC 208V 60Hz</b>

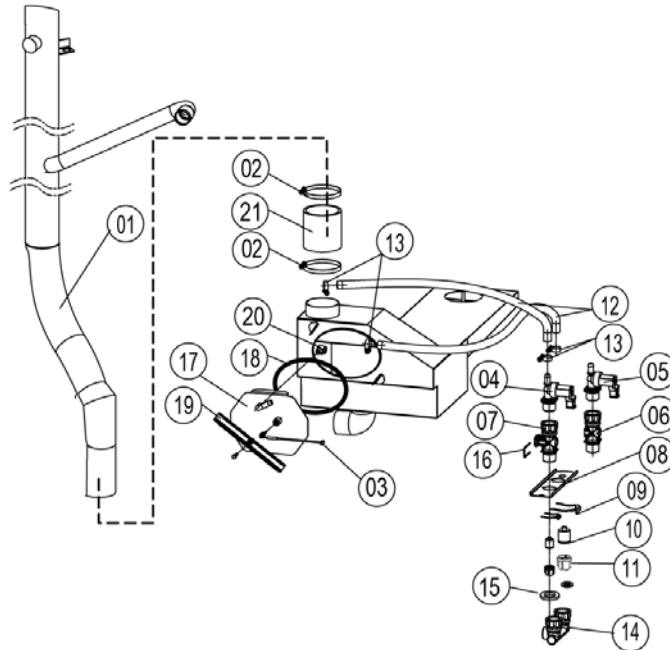
Item no.	Part no	Reference	Description
25	<a href="#">1305.0160</a>		Washer A5,3x10mm
26	10.00.099		Hex screw M8x12
27	<a href="#">1005.1903</a>		Straight pin ø5,6x12
28	1004.0906		Hex socket set screw M4x8



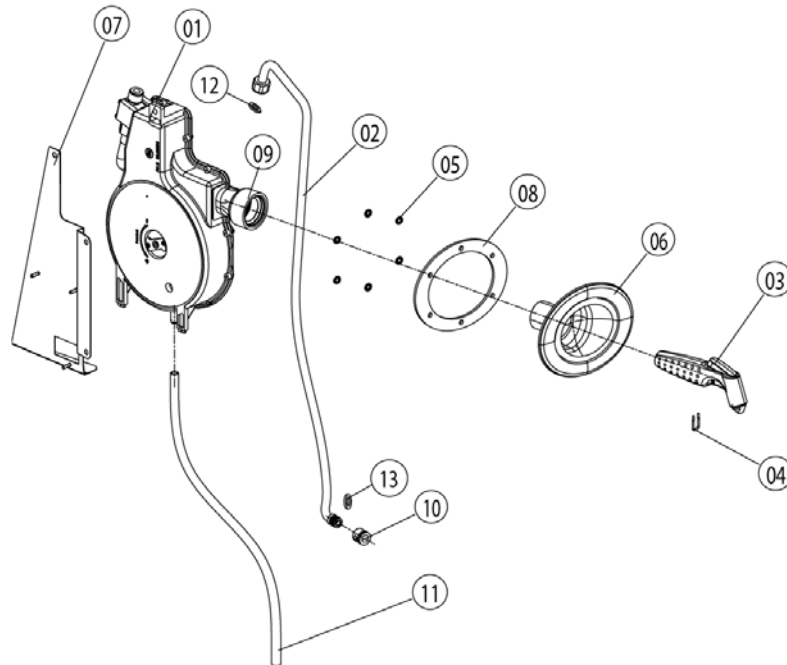
Item no.	Part no	Reference	Description
1	24.00.210		Inner glass pane
2	24.00.147		Sleeve for door bolt top
3	24.00.159		Door setting bolt
4	24.00.503		Fixing device f. magnet with magnet
5	24.00.187		Gasket glass pane/trolley
6	24.00.177		Pre heat mechanism f. door cpl.
7	24.00.507		Fixing device middle f.inter. glass pane
8	24.00.700		Additional gasket f. trolley
9	24.01.259		Plastic buffer 8,1mm
10	24.01.234		Bracket right f. door floor model



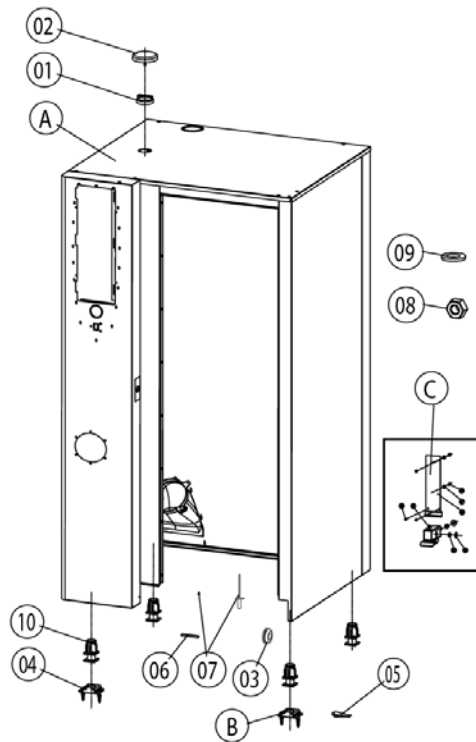
Item no.	Part no	Reference	Description
1	<a href="#">5012.0711</a>		Silicone plate for door
2	1006.1000		Stud bolt M6x75
3	<a href="#">1306.0550</a>		Washer A6,6
4	<a href="#">1004.0904</a>		Hex socket set screw M6x10
5	<a href="#">1106.0160</a>		Hex nut M6
6	2001.0119		Compression spring f. door catch
7	<a href="#">1006.0625</a>		Allen screw M6x70



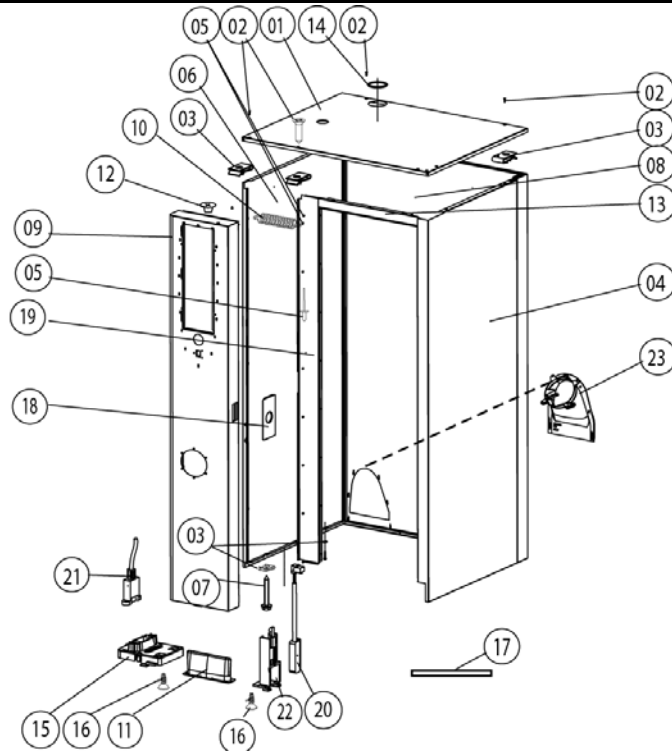
Item no.	Part no	Reference	Description
1	54.00.208		Exhaust pipe
2	2066.0516		Hose clamp 60-80 mm
3	40.00.398		Thermocouple quenching
4	50.00.316		Single solenoid valve
5	50.00.139		Single solenoid valve
6	50.00.073		Water distribution vert w/o roll guide con.
7	50.00.072		Water distribution vert roll guide con.
8	50.00.275		Mounting device f. water distribution
9	50.00.086		Locking plate f. water distribution
10	50.00.078		Non return valve DW16/DN12
11	1900.0202		Water filter
12	2067.0050		Pressure hose d10mm
13	2066.0205		Hose clamp 8-16x9 mm SW 7mm
14	8664.1301		T-fitting water connection
15	5110.1024		Gasket for G3/4" threaded joint
16	50.00.085		Plug-in spring f. hand shower roll guide
17	54.00.237		Inspection lid f. quenching chamber
18	5012.0566		Gasket quenching chamber O-ring
19	54.00.225		Clamping bar
20	2016.0943		Quenching nozzle
21	2112.1307		Hose 70x5mm



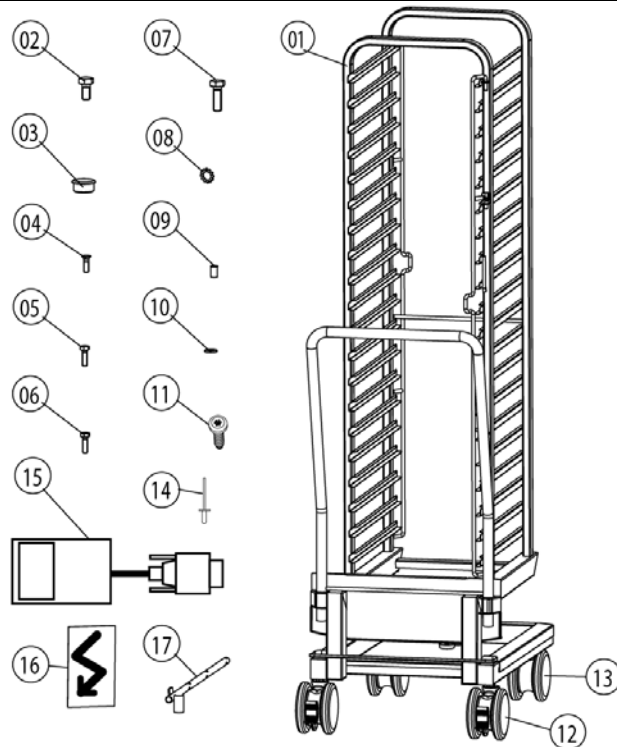
Item no.	Part no	Reference	Description
1	50.00.176		Hand shower roll guide
2	50.00.230		Connect. pipe f. hand shower roll guide
3	50.00.130		Hand shower
4	50.00.156		Clamp f. hand shower roll guide
5	1107.0100		Star lock $\varnothing 4$
6	50.00.135		Tulip for handshower
7	50.00.544		Mounting device f. hand sh. roll guide
8	50.00.290		Gasket f. tulip
9	50.00.297		Gasket f. tulip
11	50.00.548		Hose $\varnothing 10 \times 2 \times 500$ f. hand shower
12	50.00.537		Gasket f. connect.pipe hand shower roll guide
13	50.00.538		O-ring f. connect. pipe f. hand shower roll guide



Item no.	Part no	Reference	Description
A		<a href="#">▶13.A</a>	Exterior cabinet
1	<a href="#">22.00.354</a>		Spacer ring
1	<a href="#">8450.1310</a>		Spacer ring
2	<a href="#">22.00.353</a>		Vent cover
2	<a href="#">8455.1209</a>		Vent cover
3	<a href="#">2022.0101</a>		Grommet 18 mm
4	<a href="#">8700.0317</a>		Floor fixing for units
5	<a href="#">5006.0213</a>		Glue for floor fixing brackets
6	<a href="#">5013.0100</a>		Edge protection profile
10	<a href="#">2039.0111</a>		Foot adjustable, metal, 40 x 40



Item no.	Part no	Reference	Description
1	16.00.337		Top cover
2	1003.2265		Countersunk self tapping screw 4,2x16
3	1104.0820		Snap nut 4,2mm
4	16.00.142		Side panel right
5	1603.0166		Rivet 3,2x7,9 CNS closed
6	16.00.143		Side panel left
7	10.00.102		Hex self tapping screw B4,2x32
8	16.00.195		Back panel
9	16.00.296		Front panel
10	2002.0107		Tension spring for front panel
11	16.00.673		Air inlet filter
12	2039.0331		Cap for service door
13	16.00.330		Crossbar top
14	5105.1028		Gasket f. breather tube d=74mm
15	16.00.360		Cover f. RS232 interface
16	10.00.103		EJOT PT-screw KA 3.5x10
17	16.00.338		Edge protection profile
18	16.00.115		Rosette
19	16.00.358		Crossbar front panel
20	40.00.454		Door switch 1.65m
22	16.00.384		Bracket for door contact switch
23	40.00.476		Exhaust channel



Item no.	Part no	Reference	Description
1	60.21.177		Mobile oven rack for type 201,
2	<a href="#">1008.0760</a>		Hex screw M8x16
3	<a href="#">10.00.357</a>		Rubber plug black
4	10.00.448		Phillips countersunk-head screw M5x16
5	<a href="#">1008.0750</a>		Hex screw M5x16
6	<a href="#">1006.0760</a>		Hex screw M6x16
7	10.00.565		Hex screw M8x20
8	<a href="#">1208.0160</a>		Tooth lock washer A8,4
9	<a href="#">1104.0400</a>		Rivet nut M4
10	<a href="#">1306.0120</a>		Washer A6,4
12	<a href="#">60.60.100</a>		Castor with brake $\varnothing$ 125mm
13	<a href="#">60.60.101</a>		Castor without brake $\varnothing$ 125mm
14	1603.0162		Rivet 3,2x9
15	42.00.030		Memory-Stick
16	4019.0008		Sticker Electric/Danger
17	<a href="#">60.60.574</a>		Positioning support f. core sensor