

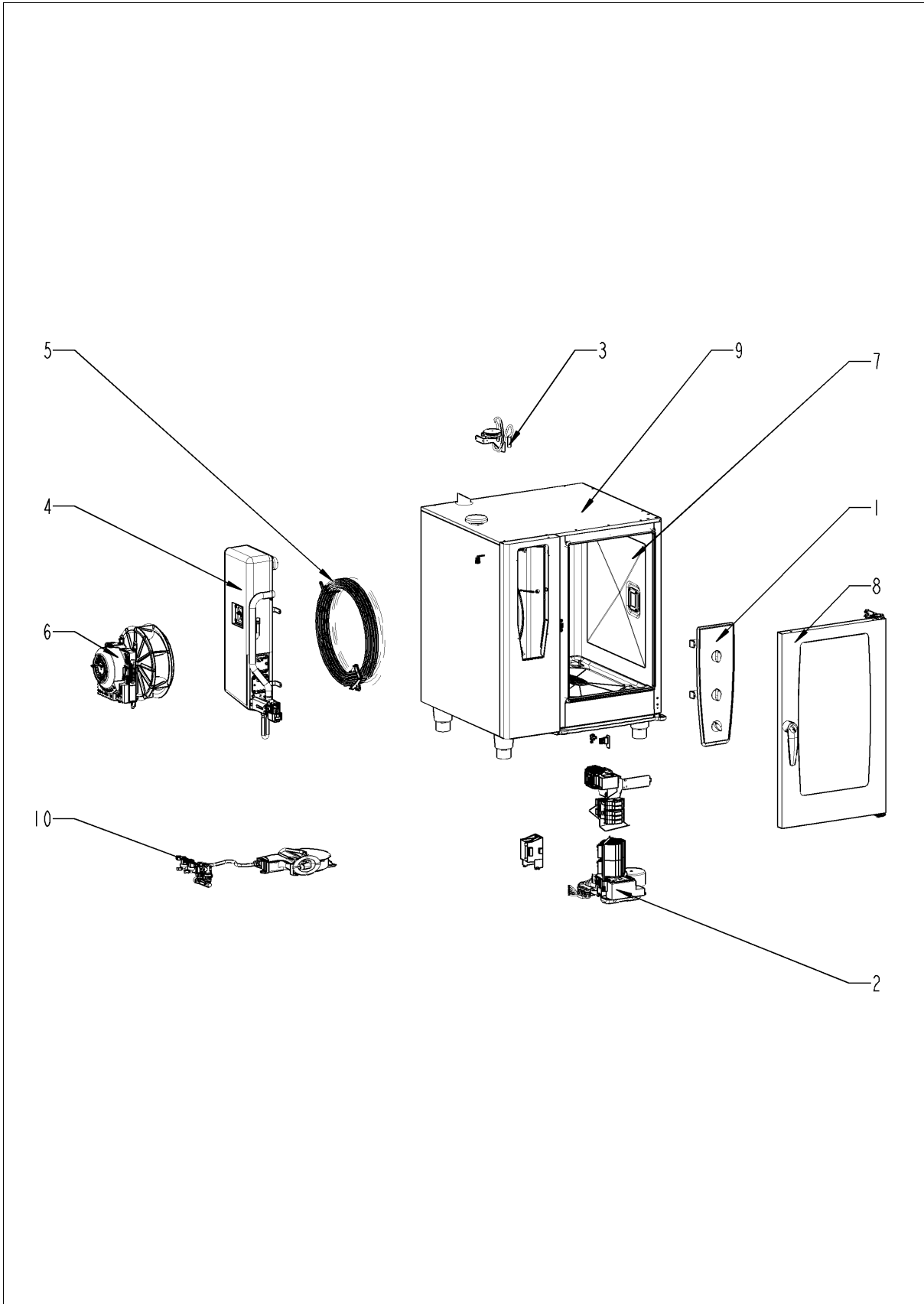
Service part catalogue

**SelfCookingCenter® whiteefficiency®
Combi Master 101 - 10 x 1/1 GastronormE**

E11MH1112



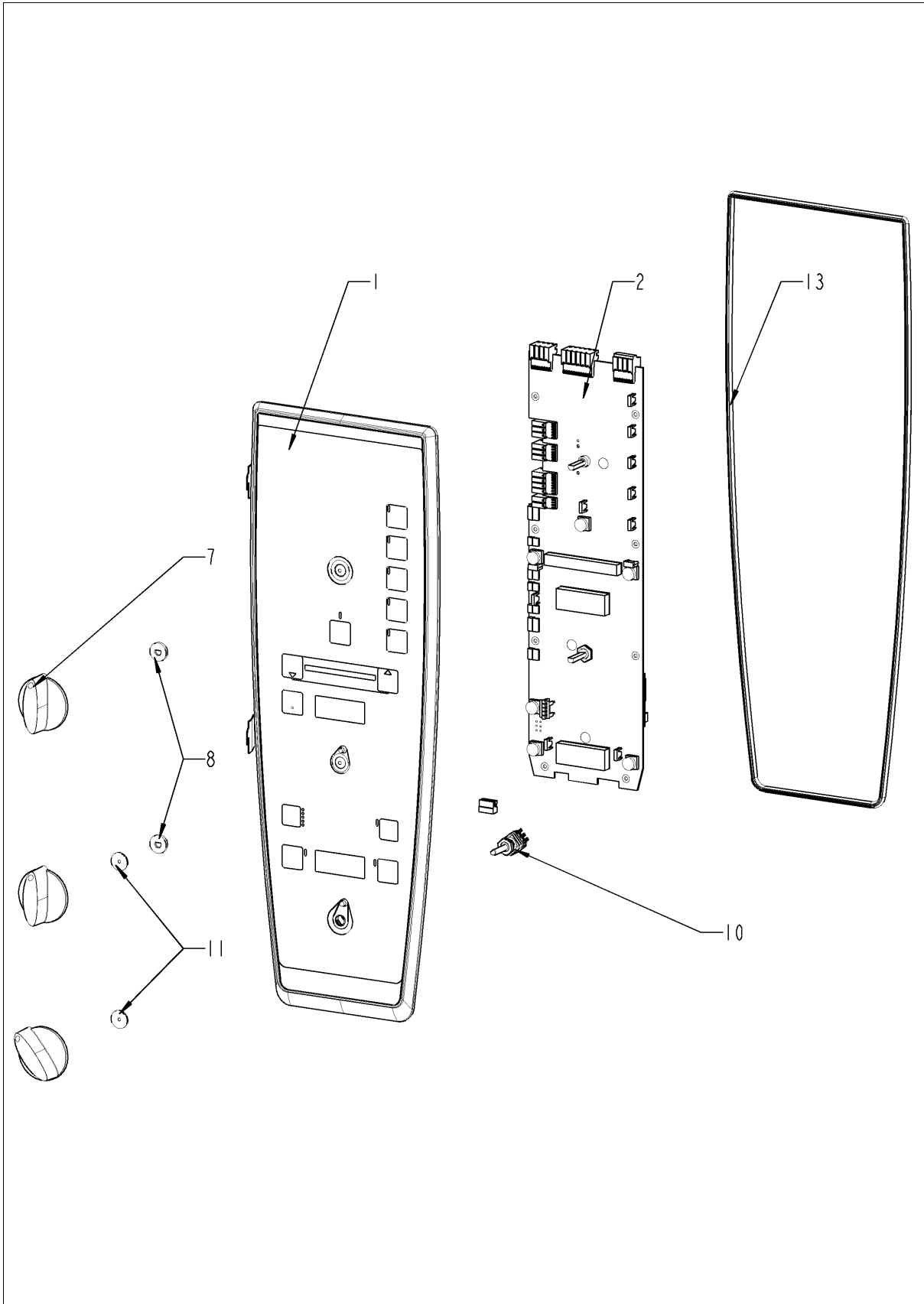
SelfCookingCenter® whiteefficiency®



SelfCookingCenter® whiteefficiency®

Pos.	Part No.	Description	Qty.
1		Control panel	1
2		Electrical installation	1
3		ClimaPlus	1
4		Steam generator	1
5		Hot air heating	1
6		Motor and fan wheel	1
7		Interior cabinet	1
8		Door	1
9		Exterior cabinet	1
10		Water	1
11		CleanJet + Care	1
13		Standard accessory	1

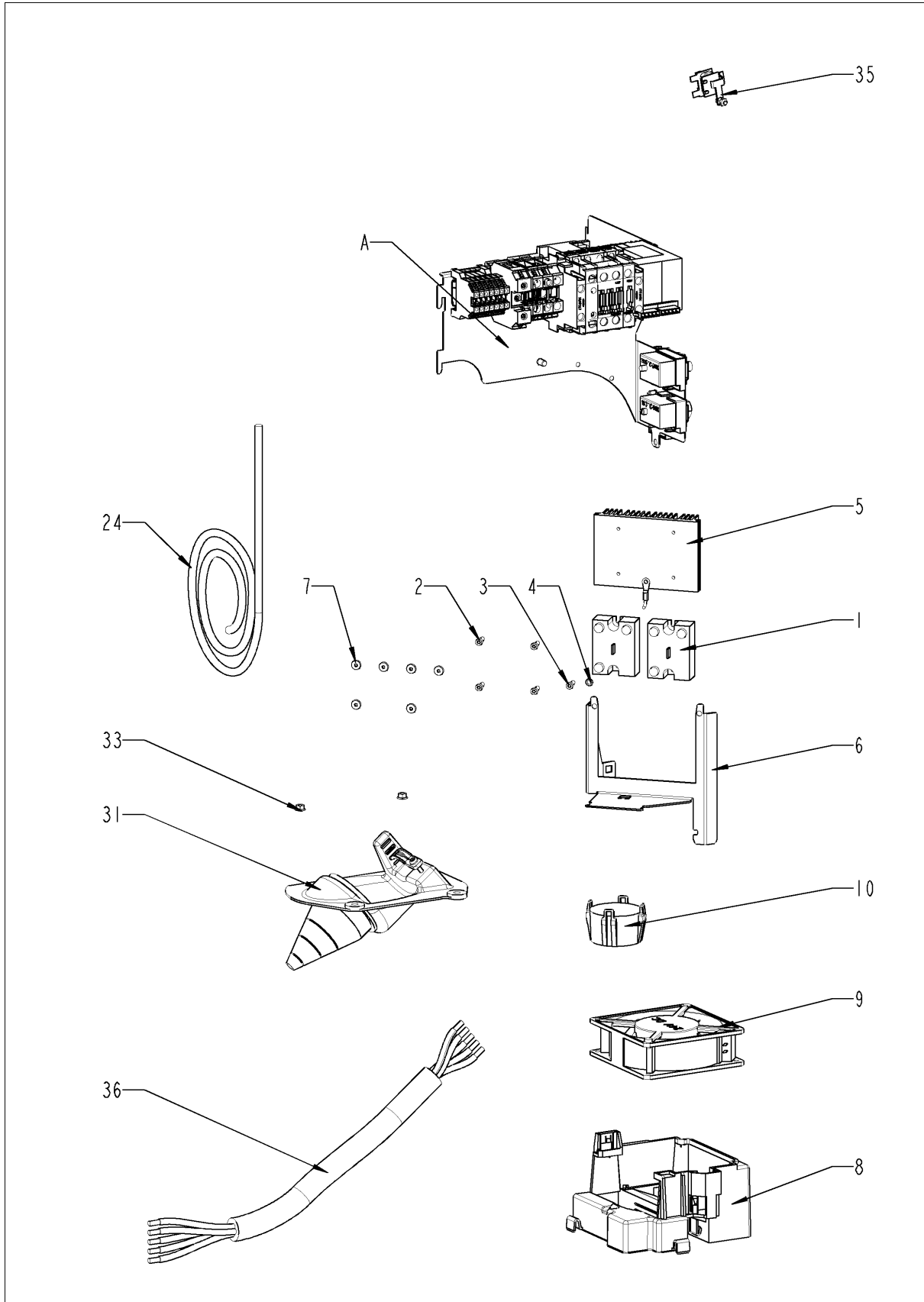
Control panel



Control panel

Pos.	Part No.	Description	Qty.
1	87.01.006	Control panel insert with overlay *RAT*	1
2	42.00.090	Control pcb *Sicotronic*	1
7	16.00.282	Dial	3
8	5110.1027	Distance plate for front panel	2
10	40.00.464	Potentiometer CT	1
11	5110.1029	Gasket mode switch	2
13	16.01.908	Sealing f. panel insert	1

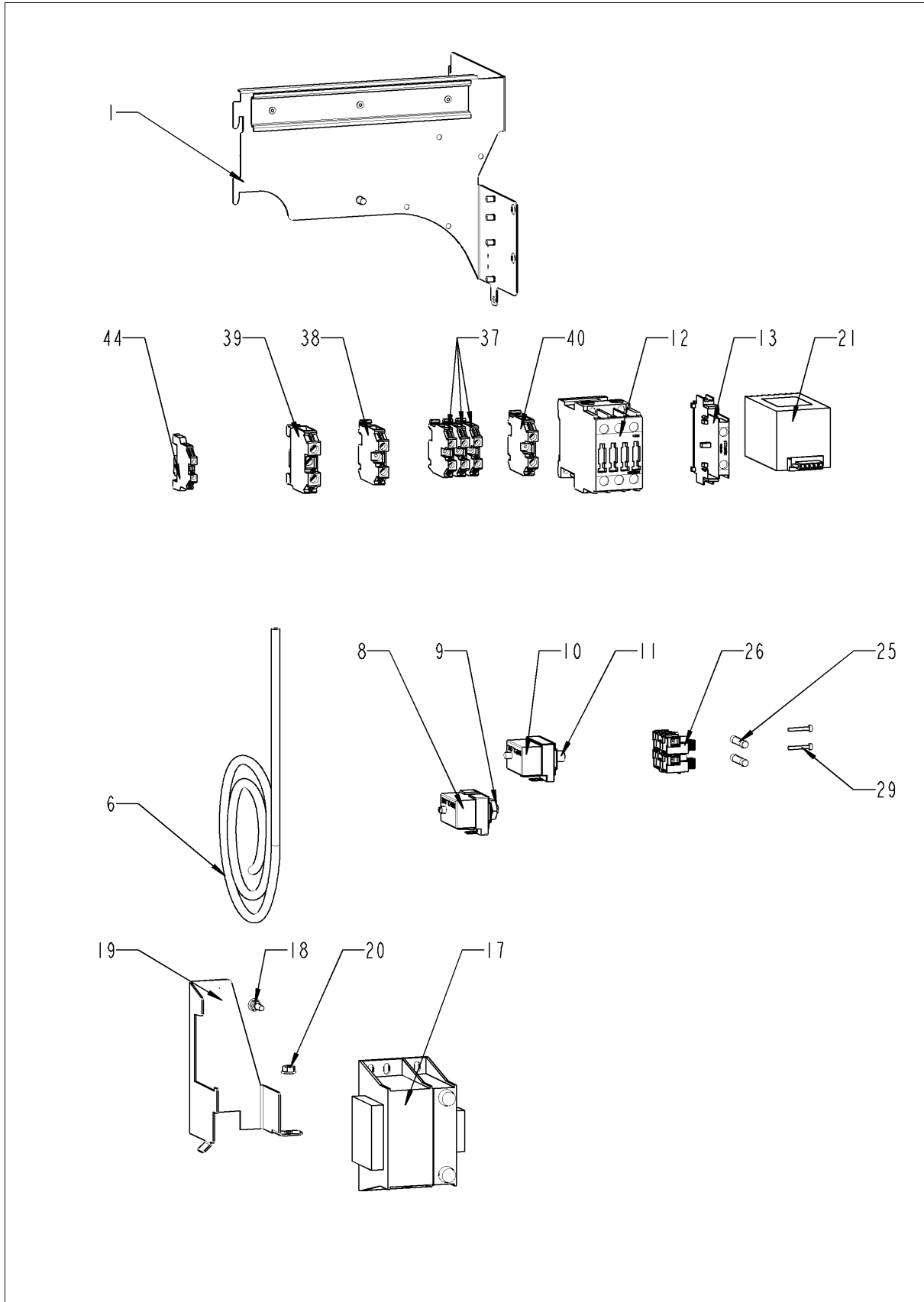
Electrical installation



Electrical installation

Pos.	Part No.	Description	Qty.
1	40.00.453	Solid state relais	3
2	10.00.061	Pan head screw Torx T20 M4x12	6
3	10.00.061	Pan head screw Torx T20 M4x12	2
4	1204.0120	Tooth lock washer A4,3	2
5	40.03.932	Heat sink big 2 SSR	2
6	40.03.371	Mounting device heat sink SSR	1
7	10.00.507	Pan head screw Torx 5/16" T20	9
8	40.03.373	Fan housing *UL*	1
9	40.03.428	Cooling fan	1
10	40.03.257	Converter 230VAC 24VDC	1
24	40.03.996	Bus cable 1.15m	1
35	40.04.048	Buzzer	1
A		Electrical installation	1

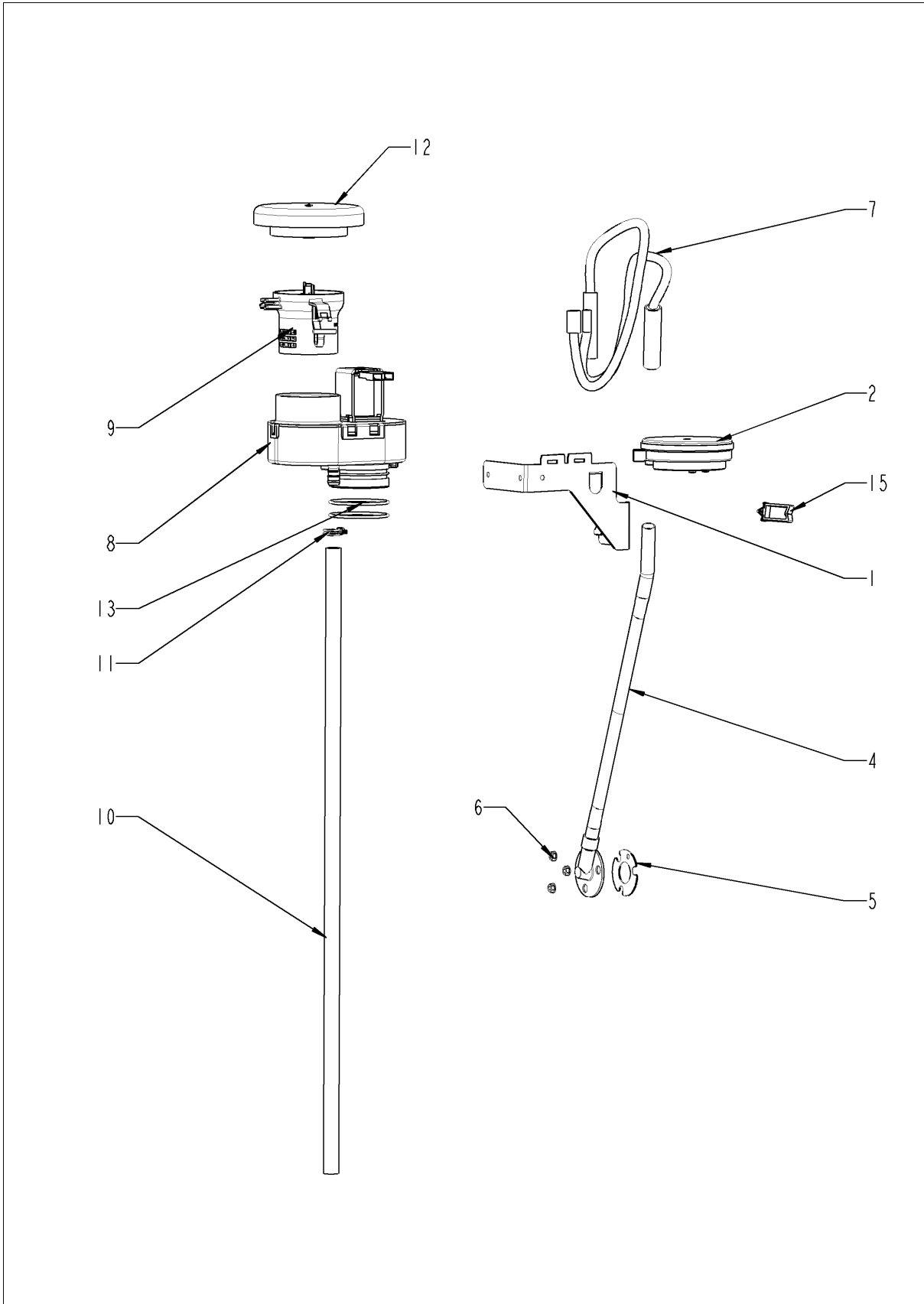
Electrical installation



Electrical installation

Pos.	Part No.	Description	Qty.
1	40.03.322	Contacteur assembly	1
2	40.03.981	Cable clock switch USA	1
6	40.03.812	Cable control harness	1
8	40.01.329	Dry up protector 183°	1
9	3014.0302	Hex nut M10 for dry-up protector	1
10	40.01.482	Safety temperature limiter 365°C	1
11	3014.0327	Hex nut M10x1,0	1
12	40.03.669	Contacteur B&J K3-40B00 190 R	1
13	40.02.641	Auxilliary contact B&J HN10 N/O	1
17	40.03.348	Control transformer T1	1
18	10.01.065	Hex nut M5	1
19	40.03.404	Mounting support transformer	1
20	10.01.065	Hex nut M5	1
21	40.02.425	Varistor	1
25	4001.0224	Fuse 6.35x32mm	2
25	40.01.588	Fuse SC-8A 10x38	2
26	40.02.512	Fuse holder 2x6.3A	1
26	40.01.487	Fuse holder 2pol	1
29	10.00.365	Pan head screw Torx M3x20	2
37	40.03.729	Terminal block grey WKN 35/U	3
39	40.03.731	Earth terminal WKN 35SL/U	1
47	40.03.282	Drip protection for air inlet filter 1 UL	1
48	10.00.709	Hex nut M6 w. locking	1
49	10.01.218	Edge protection profile	1
50	40.03.755	Cover behind 2 UL	1
51	10.00.365	Pan head screw Torx M3x20	2
54	40.04.122	Cover for Fuse *UL*	2

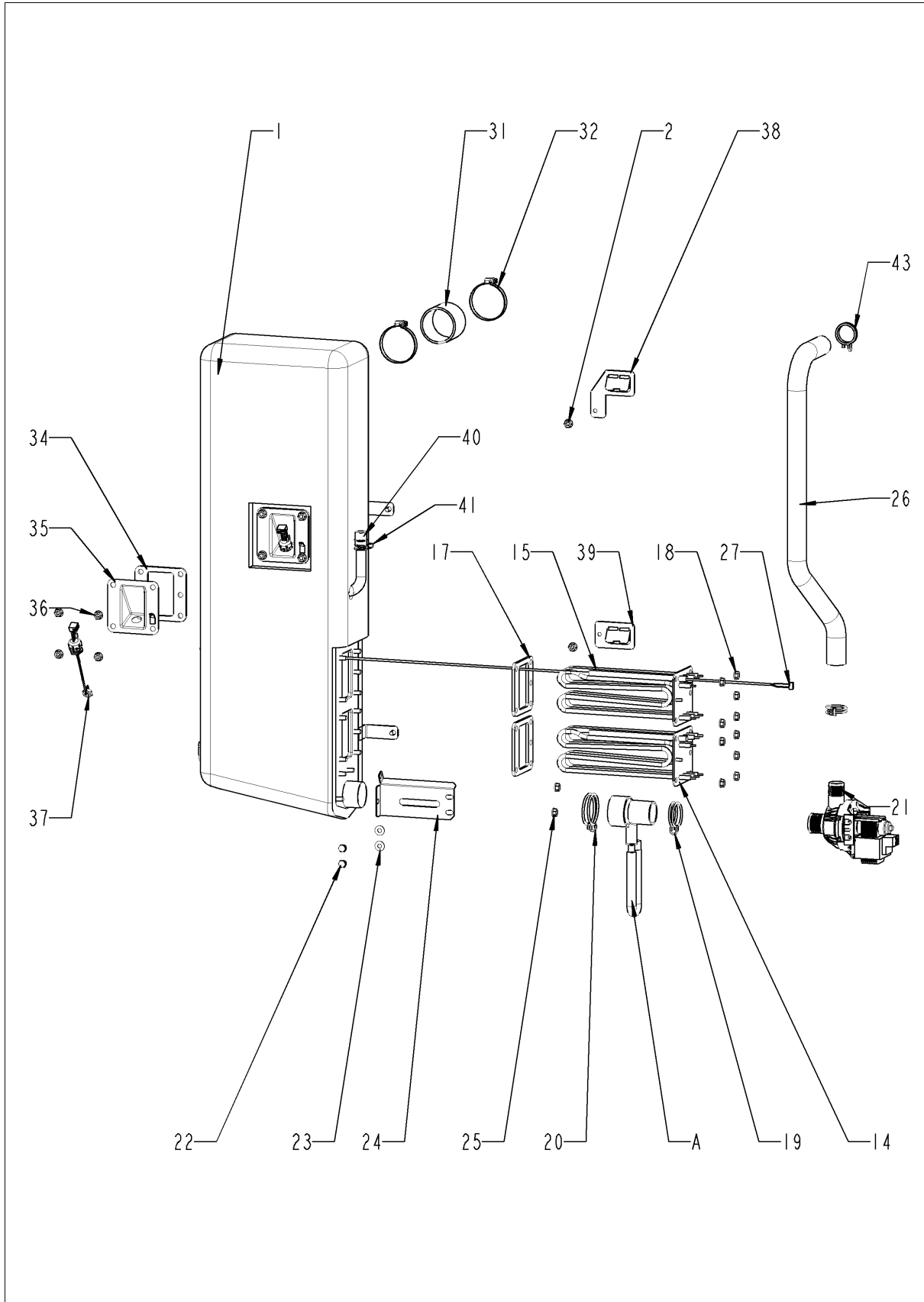
ClimaPlus



ClimaPlus

Pos.	Part No.	Description	Qty.
1	22.00.882	Mounting device f. pressure sensor	1
2	3017.1011	Pressure sensor for humidity control Huba 401	1
4	22.00.850	Outer humidity meas. Piece	1
5	22.00.881	Gasket f. hum. meas. Pipe	1
6	1104.0122	Hex combination nut M4 galv	3
7	22.00.525	Hose set f. humidity control	1
8	22.00.725	Humidity control cpl.	1
9	22.00.915	Air inlet pipe	1
10	22.00.960	Drain hose for humidity control	1
11	2066.0527	Hose clamp ø14mm	2
12	22.00.767	Vent cover	1
13	22.00.837	O-ring for humidity control	2
15	10.00.111	Cable clip long	2

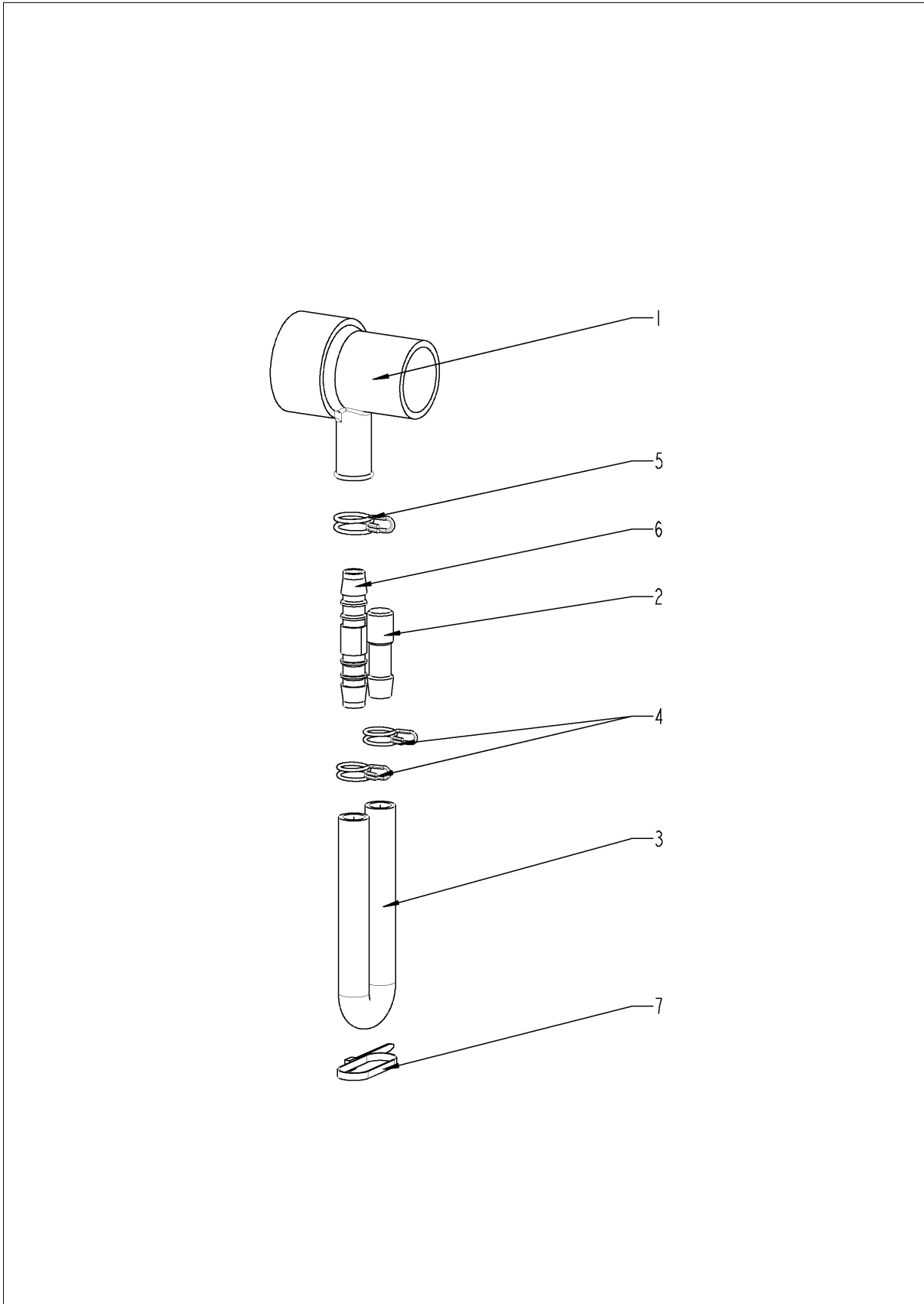
Steam generator



Steam generator

Pos.	Part No.	Description	Qty.
1	44.00.941	Steam generator insolated	1
2	10.00.709	Hex nut M6 w. locking	2
14	44.01.347	Heating element	1
15	44.01.374	Heating element w/o pipe	1
17	44.00.280	Gasket f. heating element+Level elektrode insert	2
18	10.00.709	Hex nut M6 w. locking	10
19	2066.0519	Hose clamp 35,6mm	1
20	2066.0526	Hose clamp ø46mm	1
21	44.00.207	Emptying pump	1
22	1006.0762	Hex screw M6x10	2
23	1306.0222	Washer A6,4x15x1,5	2
24	44.00.232	Fixing device f. pump steam generator	1
25	10.00.709	Hex nut M6 w. locking	2
26	44.01.221	Drain hose steam generator	1
27	40.04.106	Thermocouple steam generator *B5*	1
29	10.00.414	Cable strap black 120°	1
30	1104.0122	Hex combination nut M4 galv	1
31	2112.1006	Steam hose 50x7mm	1
32	2066.0504	Hose clamp 40-60mm	2
34	44.00.280	Gasket f. heating element+Level elektrode insert	1
35	2920.1300	Level elektrode insert	1
36	10.00.709	Hex nut M6 w. locking	4
37	44.01.407	Filling level electrode 90mm	1
38	44.01.168	Fixing angle steam generator	1
39	44.01.181	Fixing angle steam generator	1
40	44.01.031	Closing cap for steam generator	1
41	10.00.982	Hose clamp D=18.2	1
43	2066.0518	Hose clamp 30mm	2
A	8354.1320	Pump connection spout cpl.	1

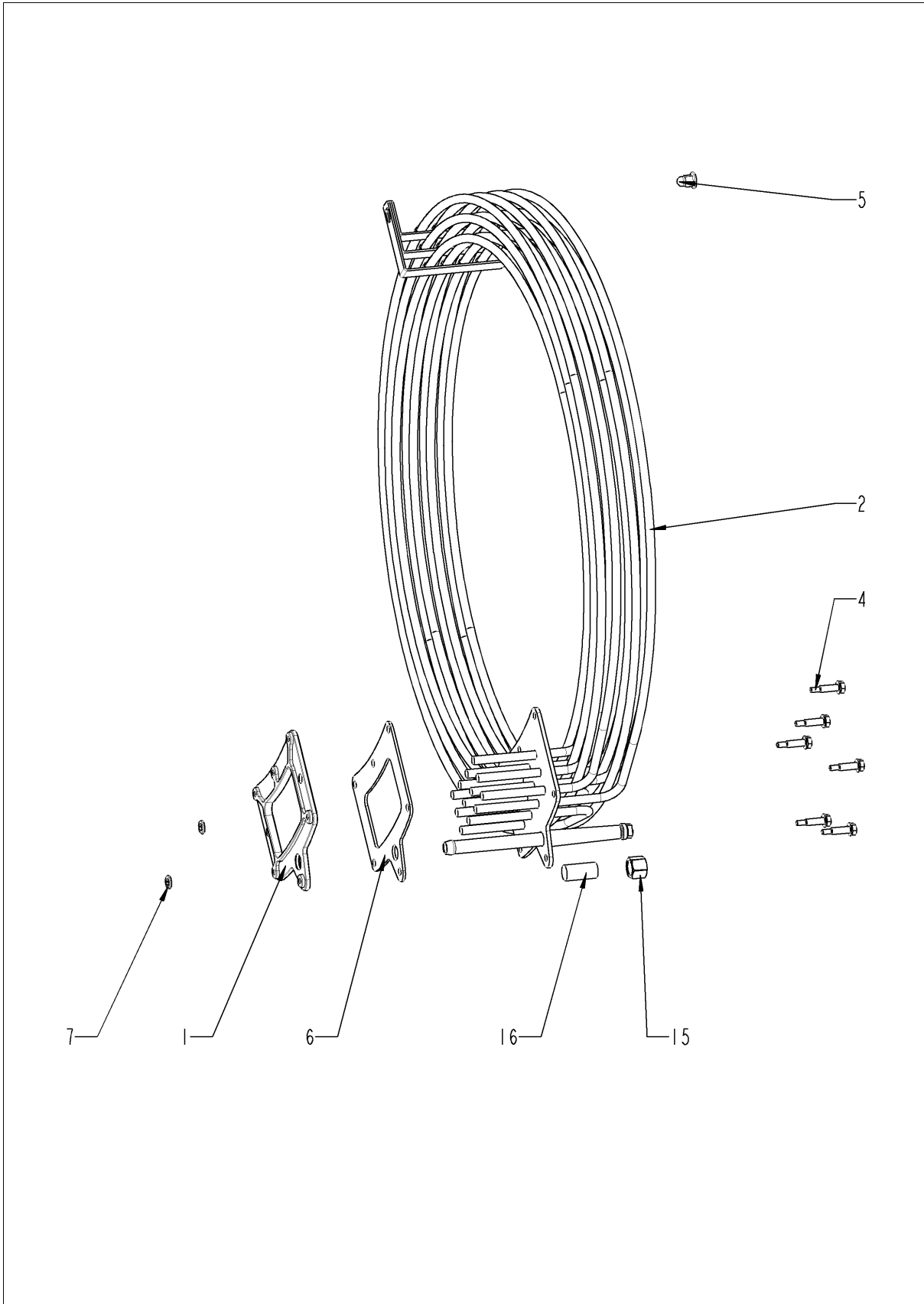
Pump connection spout



Pump connection spout

Pos.	Part No.	Description	Qty.
1	2118.1000	Pump connection spout	1
2	2120.1259	Stop plug 10mm	1
3	2110.1008	Silicon hose \varnothing 10x2mm	1
4	2066.0527	Hose clamp \varnothing 14mm	2
5	2066.0530	Hose clamp \varnothing 16.4mm	1
6	2062.0331	Junction pressure hose GS 10	1
7	4005.0101	Tie rap 145 mm	1

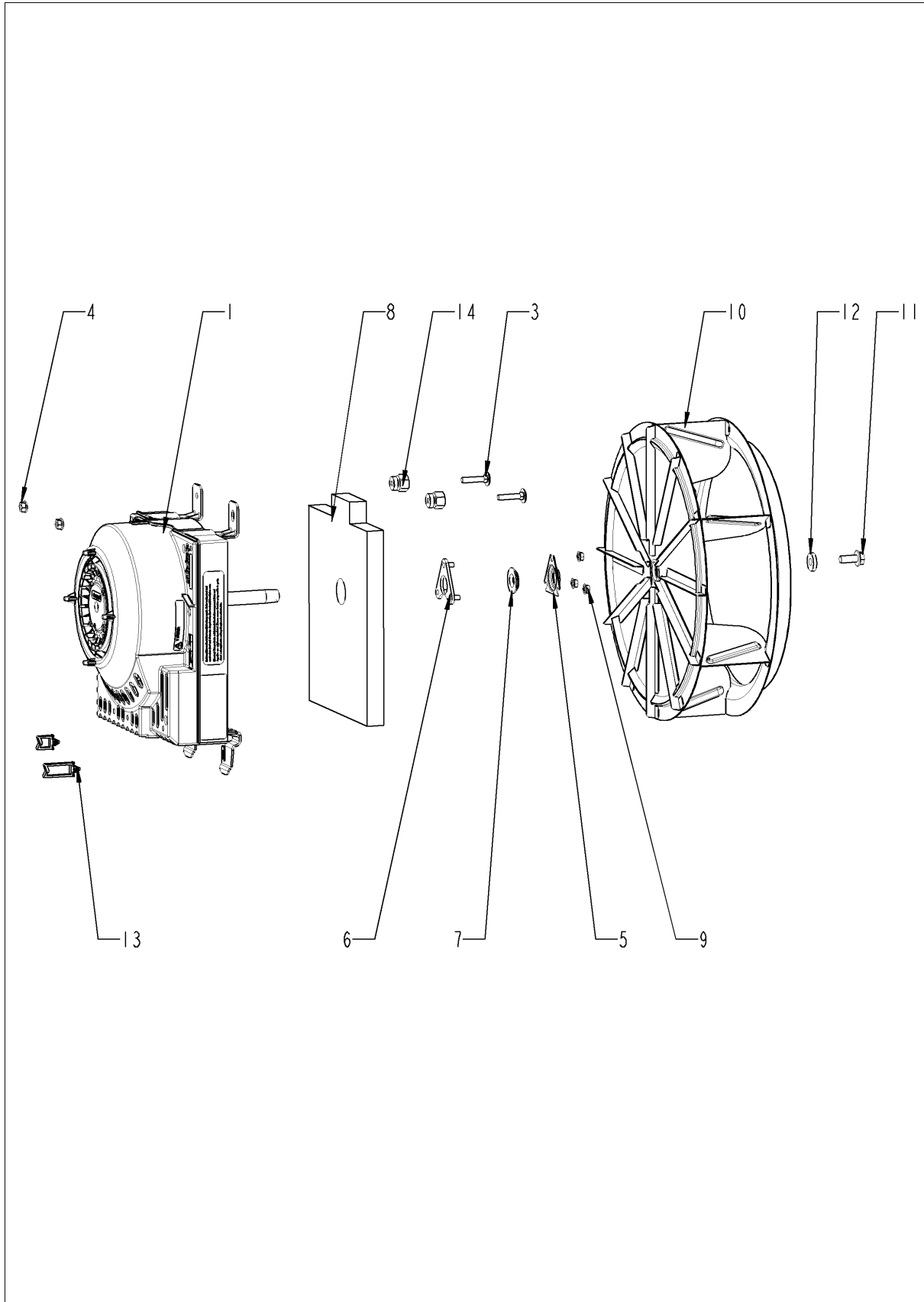
Hot air heating



Hot air heating

Pos.	Part No.	Description	Qty.
1	40.03.410	Mating flange f. heating assembly	1
2	40.03.639	Heating assembly	1
4	10.00.109	Hex screw M5x23	6
5	10.01.076	Cap nut M5*A2	1
6	40.03.415	Gasket f. heating assembly	1
7	1107.0103	Star lock ø3	2

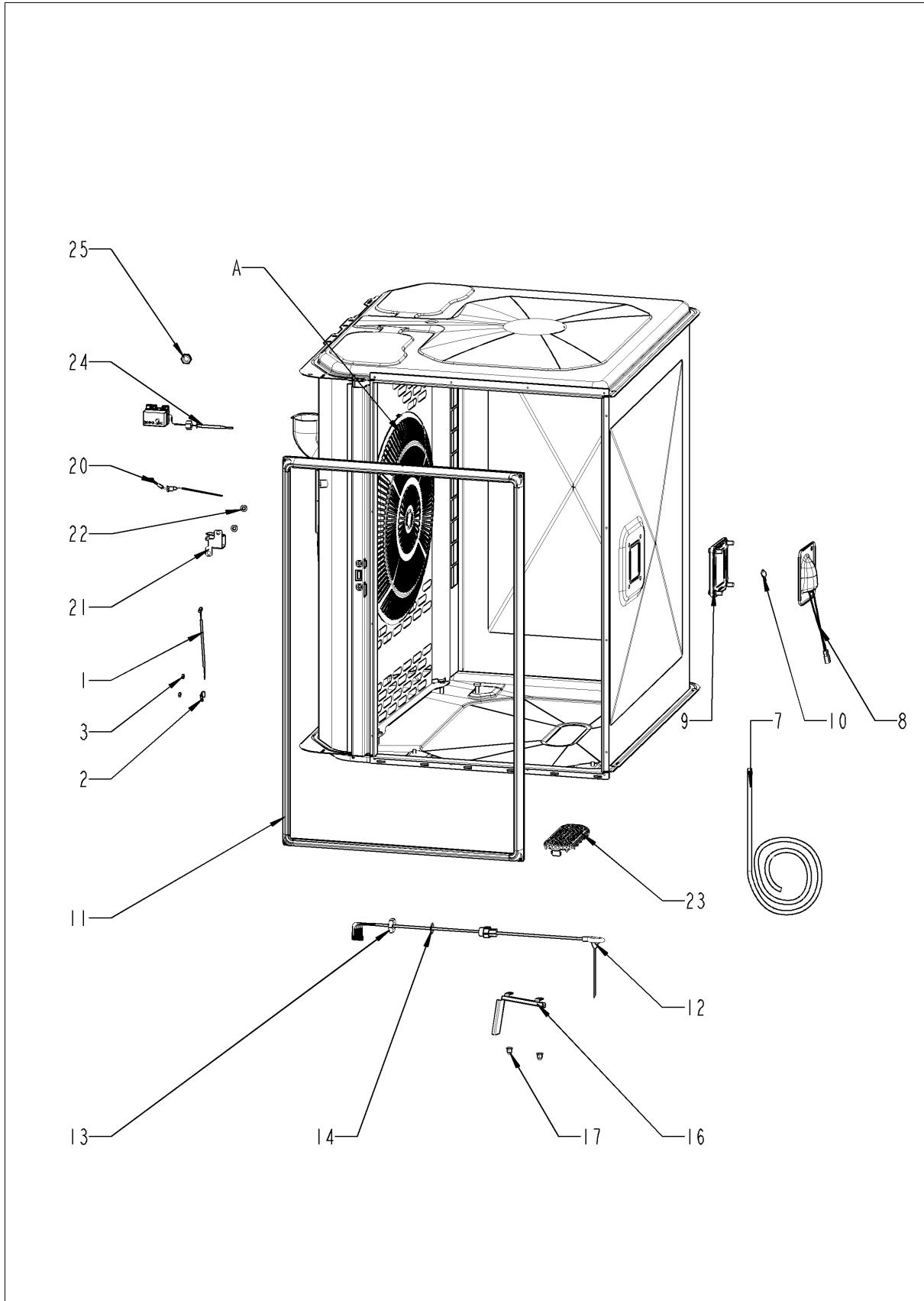
Motor and fan wheel



Motor and fan wheel

Pos.	Part No.	Description	Qty.
1	40.03.378	Fan motor	1
3	10.01.049	Square necked mushroom head bolt 6x30	4
4	10.00.709	Hex nut M6 w. locking	2
5	22.00.721	Flange f. motor shaft gasket	1
6	22.00.722	Mounting support f. gasket flange	1
7	22.00.083	Motor shaft gasket	1
8	20.01.755	Isolation for mounting plate for motor	1
9	10.01.065	Hex nut M5	3
10	22.00.828	Fan wheel	1
11	10.00.565	Hex screw M8x20	1
12	1308.0162	Washer A8,4	1
13	10.00.111	Cable clip long	3
14	20.01.411	Bushing for motor mounting bar	4

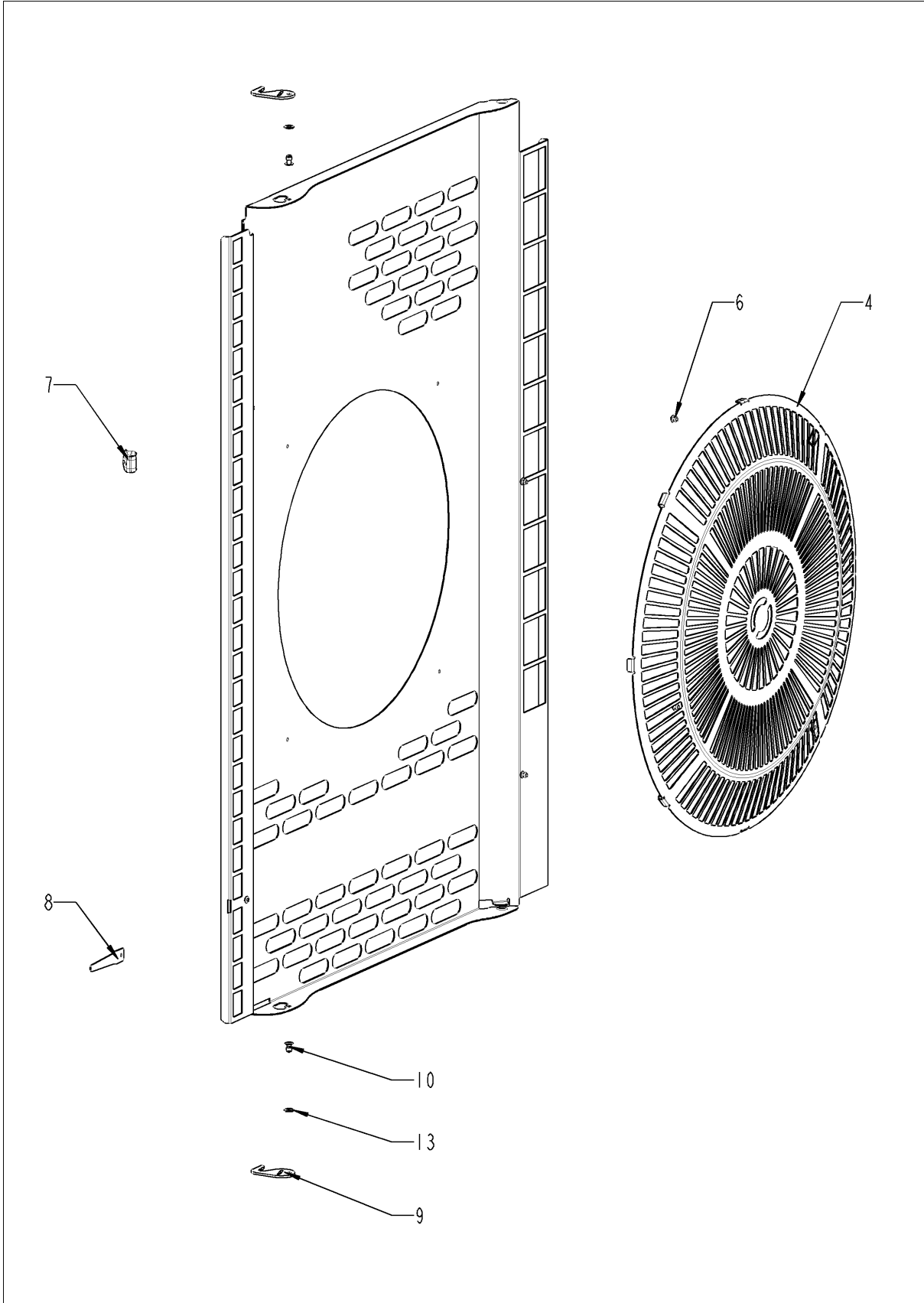
Interior cabinet



Interior cabinet

Pos.	Part No.	Description	Qty.
1	40.00.290	Thermocouple humidity	1
2	10.00.087	Clamp strap f. sensor	1
3	10.00.100	Hex nut M4, self-locking	1
7	40.03.531	Wiring interior light	1
8	40.00.098	Reflector f. interior light	1
9	40.00.091	Gasket frame w. glass a. gaskets	1
10	3024.0201	Halogen bulb 300°C	1
11	20.01.802	Door gasket	1
12	40.04.039	Meat probe sensor	1
13	10.00.612	Hex nut M16 flat	1
14	1315.0104	Copper washer 16x20x1,5	1
16	40.01.317	Screen core temperature sensor	1
17	10.01.076	Cap nut M5*A2	2
20	40.03.488	Thermocouple interior cabinet B1	1
21	40.03.782	Screen interior cabinet sensor	1
22	10.01.076	Cap nut M5*A2	2
23	54.01.117	Outlet sieve	1
24	40.01.482	Safety temperature limiter 365°C	1
25	3014.0327	Hex nut M10x1,0	1
A	22.00.924	Air baffle	1

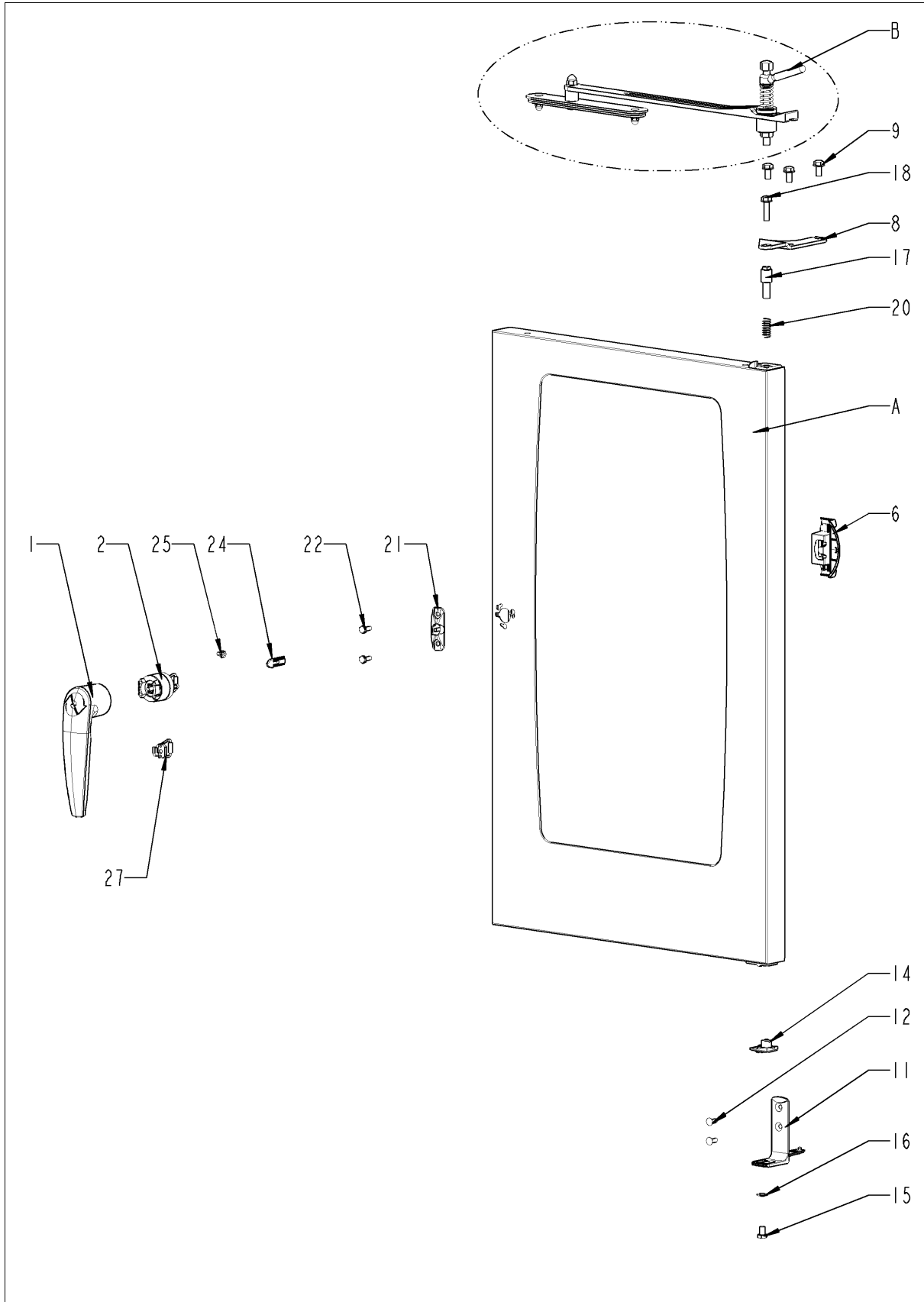
Air baffle



Air baffle

Pos.	Part No.	Description	Qty.
4	22.00.734	Hand protection	1
6	10.00.515	Rivet 3,2x5 A4	4
7	40.03.780	Fixing clip core temp. cable	1
8	22.00.491	Surge guard for Meat probe sensor	1
9	2760.1370	Latch hook for air baffle	2
10	1604.0167	Rivet 4x10	3
13	10.00.744	Washer A4,3 *A4	1

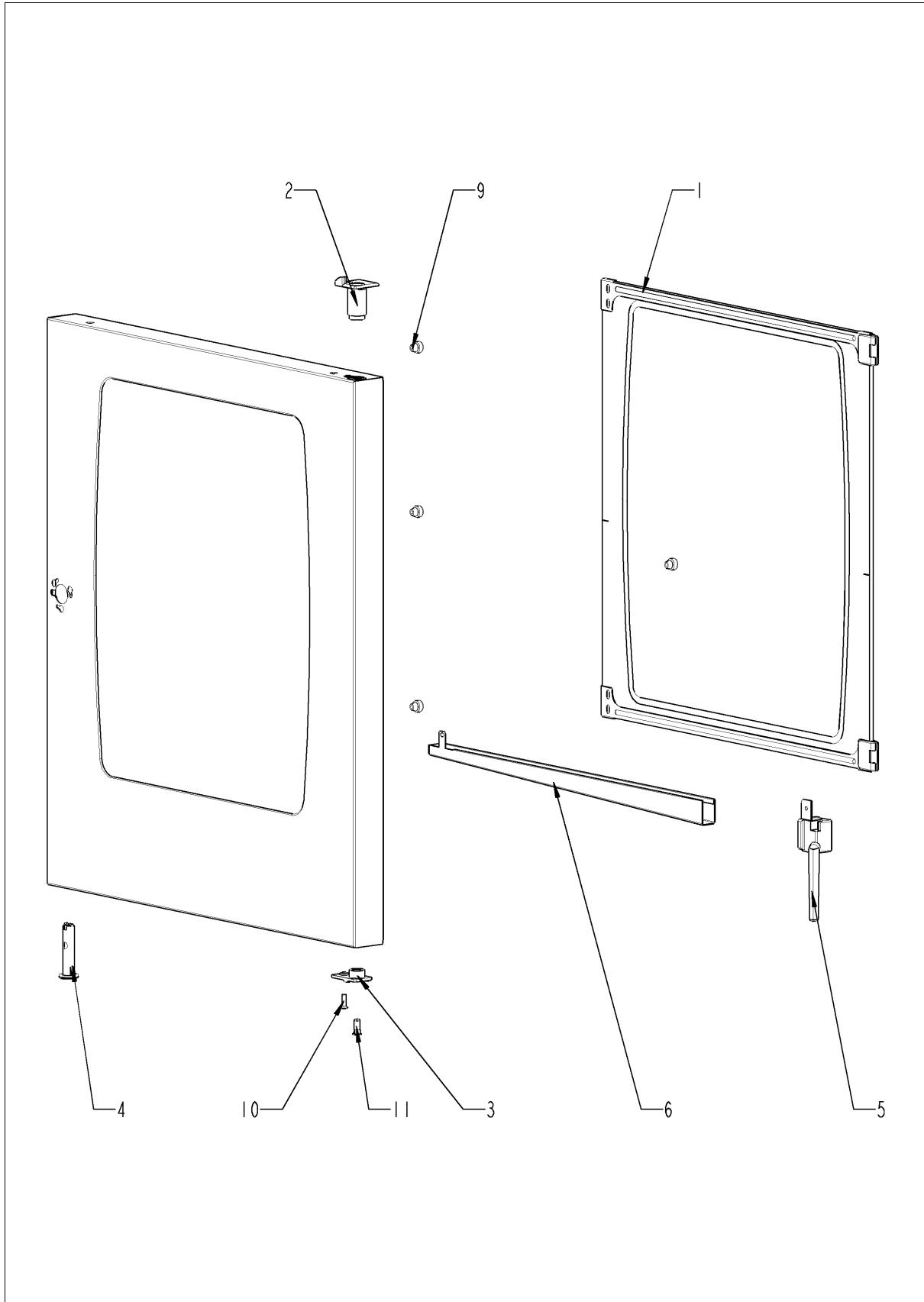
Door



Door

Pos.	Part No.	Description	Qty.
1	24.00.152	Door handle	1
2	24.00.176	Door lock	1
6	24.00.504	Lock cover	1
8	24.00.133	Door mounting support top	1
9	1008.0768	Ornamental screw M8x16	3
11	24.00.223	Door mounting support bottom	1
12	1006.1962	Countersunk screw Torx M6x16	2
14	24.00.137	Door bolt	1
15	10.00.099	Hex screw M8x12	1
16	1308.0160	Washer A8,4	1
17	24.00.048	Door bolt	1
18	1008.0769	Ornamental screw M8x30	1
20	2001.0109	Compression spring	1
21	24.00.141	Holding bracket f. door catch	1
22	1006.0760	Hex screw M6x16	2
24	24.00.142	Door catch	1
25	1005.2000	Interlocking tooth screw M5x8	1
27	24.01.100	Spring clip f. door lock	1
A	24.00.093	Door	1

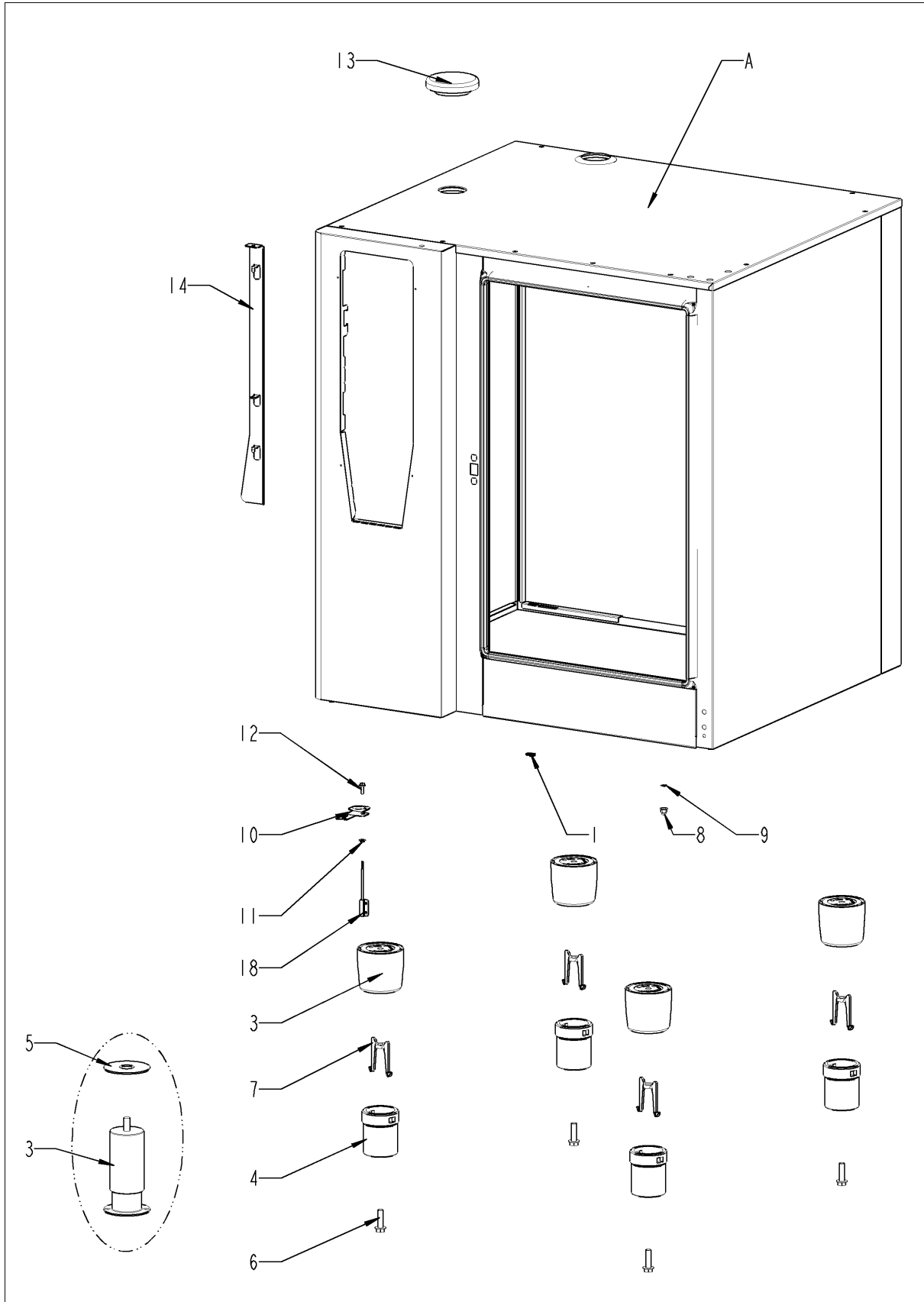
Door



Door

Pos.	Part No.	Description	Qty.
1	24.00.164	Inner glass pane	1
2	24.00.147	Sleeve for door bolt top	1
3	24.00.146	Door setting bolt	1
4	24.00.502	Fixing device f. magnet with magnet	1
5	24.01.188	Drain door drip collector	1
6	24.01.800	Door drip collector	1
9	24.00.171	Silicone buffer 7mm for door	1
10	1005.1966	Countersunk screw Torx M5x16	2
11	10.00.041	Rivet nut M5 hexagon closed	2

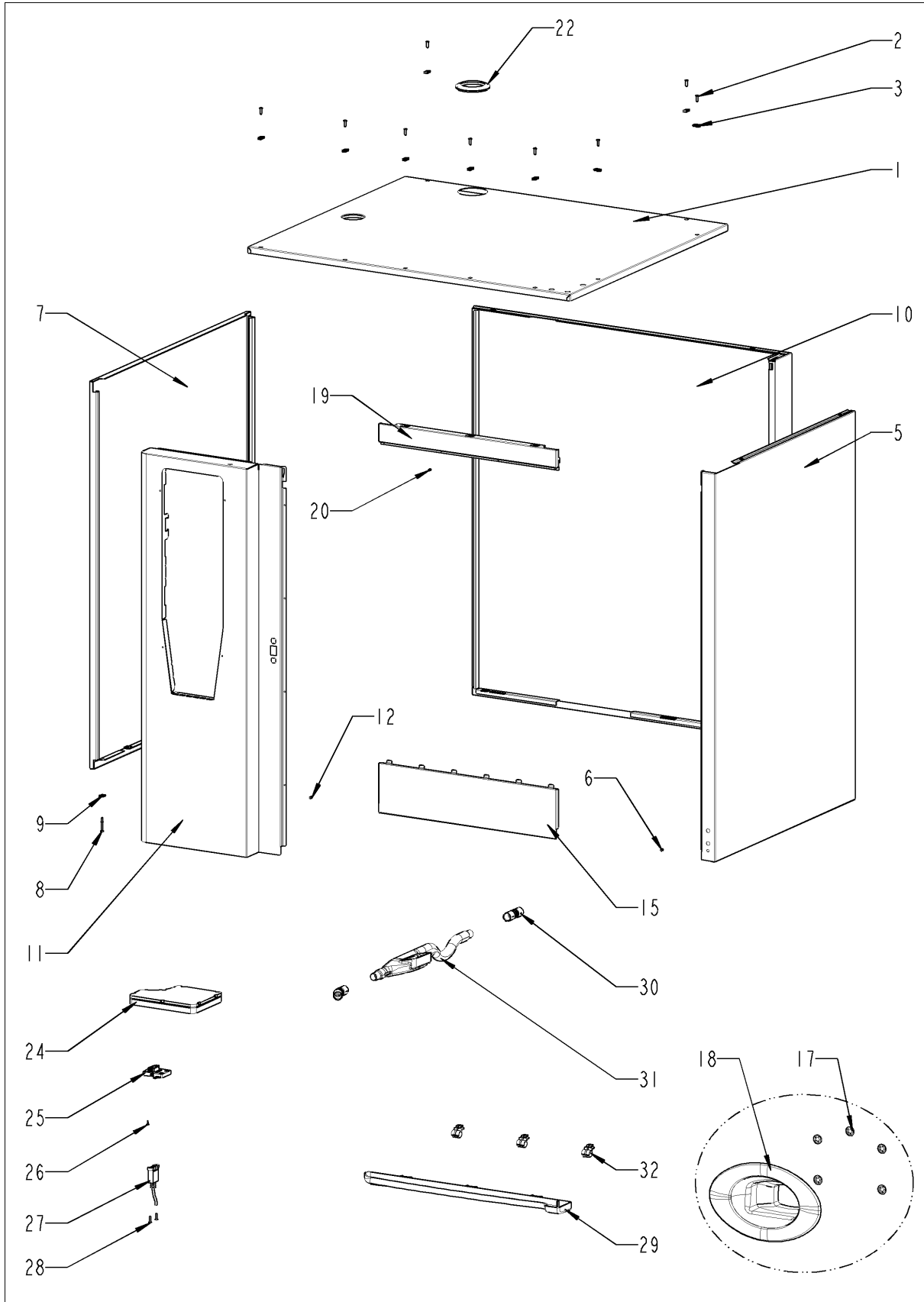
Exterior cabinet



Exterior cabinet

Pos.	Part No.	Description	Qty.
1	1104.0820	Snap nut 4,2mm	2
3	12.00.205	Upper part of pedestal	4
4	12.01.133	Lower part of pedestal	4
6	10.00.975	Hex screw M10x35	4
7	12.00.516	Turning lock f. lower part of pedestal	4
8	10.00.745	Cap nut M6*A2	1
9	1206.0120	Tooth lock washer A6,4	1
10	16.01.146	Bracket for door contact switch	1
11	1105.0123	Hex combination nut M4	1
13	22.00.767	Vent cover	1
14	16.01.965	Opening mechanism for panel insert	1
18	40.00.335	Door switch	1
A		Exterior cabinet	1

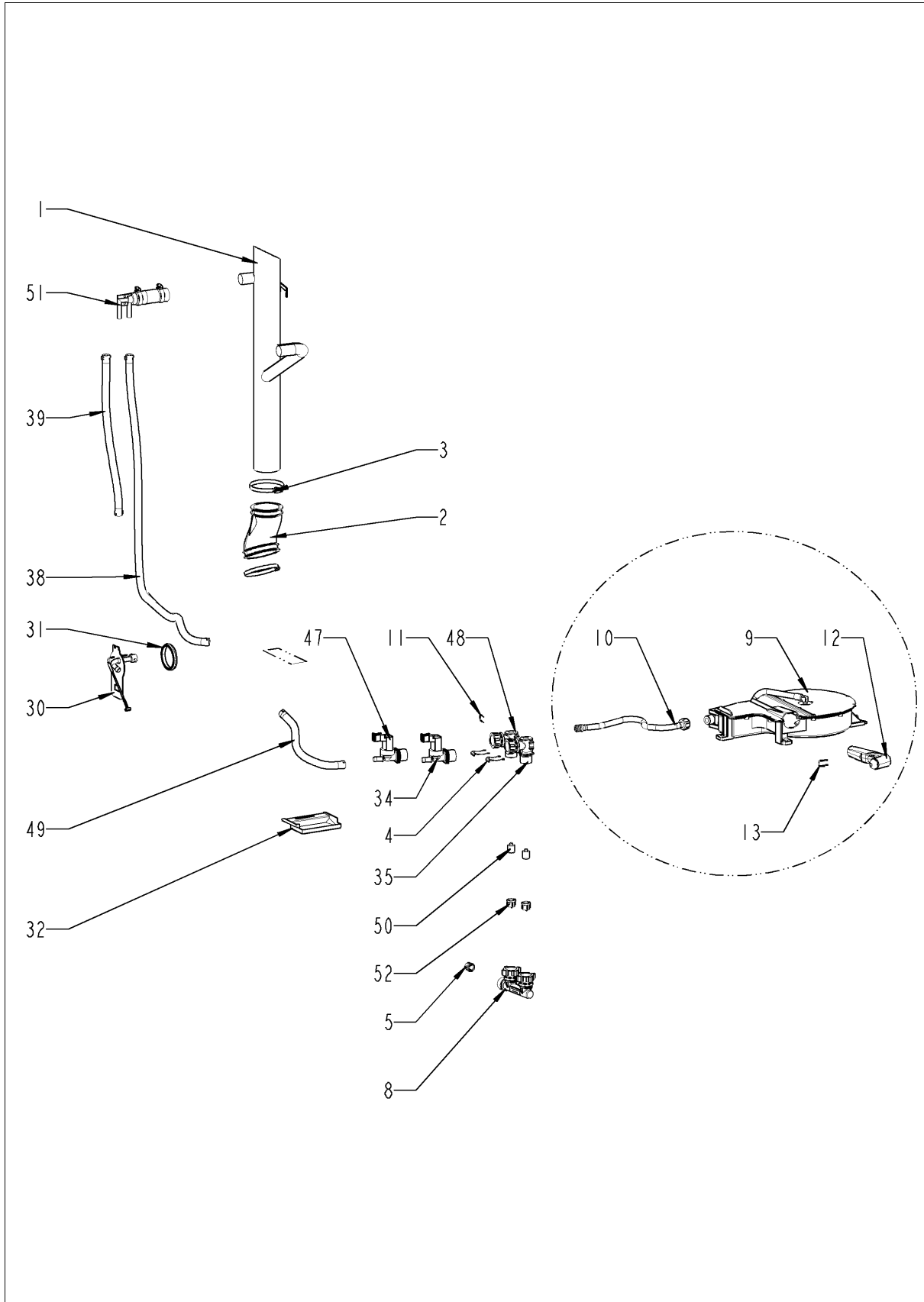
Exterior cabinet



Exterior cabinet

Pos.	Part No.	Description	Qty.
1	16.02.152	Top cover	1
2	1003.2265	Countersunk self tapping screw 4,2x16	9
3	1104.0820	Snap nut 4,2mm	9
5	16.00.127	Side panel right	1
6	1603.0166	Rivet 3,2x7,9 CNS closed	4
7	16.00.128	Side panel left	1
8	10.00.992	Hex self tapping screw B4,2x32	2
9	1104.0820	Snap nut 4,2mm	2
10	16.01.926	Back panel	1
11	16.01.857	Front panel	1
12	1603.0166	Rivet 3,2x7,9 CNS closed	4
15	16.02.098	Crossbar below	1
16	1004.2160	Hex self tapping screw 4,2x16	2
17	1107.0100	Star lock ø4	5
18	50.00.751	Tulip for handshower with tape	1
19	16.00.180	Crossbar top	1
20	1603.0166	Rivet 3,2x7,9 CNS closed	4
22	16.01.748	Gasket f. breather tube d=63mm	1
24	40.02.684	Air inlet filter cpl.	1
25	16.00.329	Cover f. USB interface	1
26	10.00.103	EJOT PT-screw KA 3.5x10	1
27	40.04.046	Interface cable USB 1.0m	1
28	10.00.460	EJOT PT-Screw Torx 3,5x14	2
29	50.00.286	Drip collector	1
30	50.00.303	Bushing drip collector	2
31	50.01.613	Drain pipe with bushing	1
32	50.00.296	Clip f. drip collector	3

Water



Water

Pos.	Part No.	Description	Qty.
1	54.01.110	Ventilation pipe	1
2	54.01.141	Rubber form piece venting pipe	1
3	2066.0516	Hose clamp 60-80 mm	2
4	50.00.086	Locking plate f. water distribution	1
5	1900.0202	Water filter	1
6	2066.0205	Hose clamp 8-16x9 mm SW 7mm	1
8	50.00.313	T-fitting water connection	1
9	50.01.607	Hand shower roll guide *lead free*	1
10	50.01.213	Connect. pipe f. hand shower roll guide	1
11	50.00.085	Plug-in spring f. hand shower roll guide	1
12	50.00.130	Hand shower	1
13	50.00.156	Clamp f. hand shower roll guide	1
15	1105.0121	Hex combination nut M5 galv	1
30	54.01.148	Inspection lid, quenching nozzle, B2	1
31	54.01.168	Gasket f. inspection lid quenching	1
32	54.01.191	Collecting pan	1
33	10.00.745	Cap nut M6*A2	1
34	50.01.147	Single solenoid valve	1
35	50.00.071	Water distribution hor. w/o roll guide con.	1
38	2067.0050	Pressure hose d10mm	1.35
39	2067.0050	Pressure hose d10mm	.65
47	50.01.146	Single solenoid valve	1
48	50.00.070	Water distribution hor roll guide con.	1
49	2067.0050	Pressure hose d10mm	.31
50	50.00.078	Non return valve DW16/DN12	2
51	8354.1304	Venting valve for steam generator	1
52	1900.0202	Water filter	2
55	2022.0101	Grommet d8mm	1



Combi Master 101 - 10 x 1/1 GastronormE
E11MH1112

CleanJet + Care

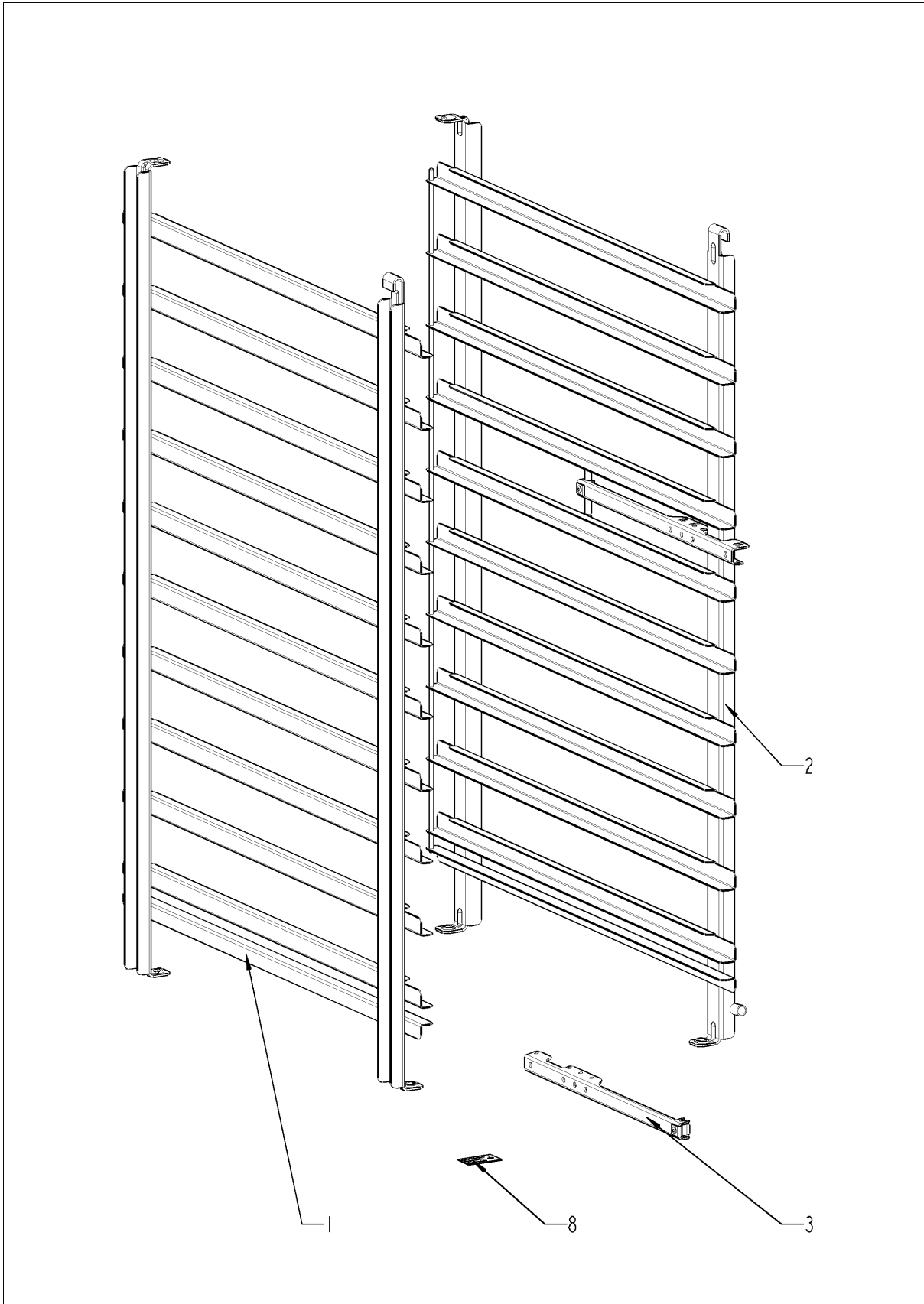
Combi Master 101 - 10 x 1/1 GastronormE
E11MH1112



CleanJet + Care

Pos.	Part No.	Description	Qty.
------	----------	-------------	------

Standard accessory



Standard accessory

Pos.	Part No.	Description	Qty.
8	10.01.191	Sticker set	1
10	60.71.379	Water connection kit, table unit E/USA	1
10	60.71.379	Water connection kit, table unit E/USA	1

Index

Part-no.	Description	Page
22.00.924	Air baffle	21
40.02.684	Air inlet filter cpl.	31
22.00.915	Air inlet pipe	11
40.02.641	Auxilliary contact B&J HN10 N/O	9
16.01.926	Back panel	31
16.01.146	Bracket for door contact switch	29
40.03.996	Bus cable 1.15m	7
50.00.303	Bushing drip collector	31
20.01.411	Bushing for motor mounting bar	19
40.04.048	Buzzer	7
10.00.111	Cable clip long	11, 19
40.03.981	Cable clock switch USA	9
40.03.812	Cable control harness	9
10.00.414	Cable strap black 120°	13
10.01.076	Cap nut M5*A2	17, 21
10.00.745	Cap nut M6*A2	29, 33
50.00.156	Clamp f. hand shower roll guide	33
10.00.087	Clamp strap f. sensor	21
50.00.296	Clip f. drip collector	31
44.01.031	Closing cap for steam generator	13
54.01.191	Collecting pan	33
2001.0109	Compression spring	25
50.01.213	Connect. pipe f. hand shower roll guide	33
40.03.322	Contact assembly	9
40.03.669	Contact B&J K3-40B00 190 R	9
87.01.006	Control panel insert with overlay *RAT*	5
42.00.090	Control pcb *Sicotronic*	5
40.03.348	Control transformer T1	9
40.03.257	Converter 230VAC 24VDC	7
40.03.428	Cooling fan	7
1315.0104	Copper washer 16x20x1,5	21
1005.1966	Countersunk screw Torx M5x16	27

Index

Part-no.	Description	Page
1006.1962	Countersunk screw Torx M6x16	25
1003.2265	Countersunk self tapping screw 4,2x16	31
40.03.755	Cover behind 2 UL	9
16.00.329	Cover f. USB interface	31
40.04.122	Cover for Fuse *UL*	9
16.02.098	Crossbar below	31
16.00.180	Crossbar top	31
16.00.282	Dial	5
5110.1027	Distance plate for front panel	5
24.00.093	Door	25
24.00.137	Door bolt	25
24.00.048	Door bolt	25
24.00.142	Door catch	25
24.01.800	Door drip collector	27
20.01.802	Door gasket	21
24.00.152	Door handle	25
24.00.176	Door lock	25
24.00.223	Door mounting support bottom	25
24.00.133	Door mounting support top	25
24.00.146	Door setting bolt	27
40.00.335	Door switch	29
24.01.188	Drain door drip collector	27
22.00.960	Drain hose for humidity control	11
44.01.221	Drain hose steam generator	13
50.01.613	Drain pipe with bushing	31
50.00.286	Drip collector	31
40.03.282	Drip protection for air inlet filter 1 UL	9
40.01.329	Dry up protector 183°	9
40.03.731	Earth terminal WKN 35SL/U	9
10.01.218	Edge protection profile	9
10.00.103	EJOT PT-screw KA 3.5x10	31
10.00.460	EJOT PT-Screw Torx 3,5x14	31

Index

Part-no.	Description	Page
44.00.207	Emptying pump	13
40.03.373	Fan housing *UL*	7
40.03.378	Fan motor	19
22.00.828	Fan wheel	19
44.01.407	Filling level electrode 90mm	13
44.01.168	Fixing angle steam generator	13
44.01.181	Fixing angle steam generator	13
40.03.780	Fixing clip core temp. cable	23
24.00.502	Fixing device f. magnet with magnet	27
44.00.232	Fixing device f. pump steam generator	13
22.00.721	Flange f. motor shaft gasket	19
16.01.857	Front panel	31
4001.0224	Fuse 6.35x32mm	9
40.01.487	Fuse holder 2pol	9
40.02.512	Fuse holder 2x6.3A	9
40.01.588	Fuse SC-8A 10x38	9
16.01.748	Gasket f. breather tube d=63mm	31
40.03.415	Gasket f. heating assembly	17
44.00.280	Gasket f. heating element+Level elektrode insert	13
22.00.881	Gasket f. hum. meas. Pipe	11
54.01.168	Gasket f. inspection lid quenching	33
40.00.091	Gasket frame w. glass a. gaskets	21
5110.1029	Gasket mode switch	5
2022.0101	Grommet d8mm	33
3024.0201	Halogen bulb 300°C	21
22.00.734	Hand protection	23
50.00.130	Hand shower	33
50.01.607	Hand shower roll guide *lead free*	33
40.03.932	Heat sink big 2 SSR	7
40.03.639	Heating assembly	17
44.01.347	Heating element	13
44.01.374	Heating element w/o pipe	13

Index

Part-no.	Description	Page
1105.0123	Hex combination nut M4	29
1104.0122	Hex combination nut M4 galv	11, 13
1105.0121	Hex combination nut M5 galv	33
10.00.100	Hex nut M4, self-locking	21
10.01.065	Hex nut M5	9, 19
10.00.709	Hex nut M6 w. locking	9, 13, 19
3014.0302	Hex nut M10 for dry-up protector	9
3014.0327	Hex nut M10x1,0	9, 21
10.00.612	Hex nut M16 flat	21
10.00.109	Hex screw M5x23	17
1006.0762	Hex screw M6x10	13
1006.0760	Hex screw M6x16	25
10.00.099	Hex screw M8x12	25
10.00.565	Hex screw M8x20	19
10.00.975	Hex screw M10x35	29
1004.2160	Hex self tapping screw 4,2x16	31
10.00.992	Hex self tapping screw B4,2x32	31
24.00.141	Holding bracket f. door catch	25
2066.0205	Hose clamp 8-16x9 mm SW 7mm	33
2066.0518	Hose clamp 30mm	13
2066.0519	Hose clamp 35,6mm	13
2066.0504	Hose clamp 40-60mm	13
2066.0516	Hose clamp 60-80 mm	33
10.00.982	Hose clamp D=18.2	13
2066.0527	Hose clamp ø14mm	11, 15
2066.0530	Hose clamp ø16.4mm	15
2066.0526	Hose clamp ø46mm	13
22.00.525	Hose set f. humidity control	11
22.00.725	Humidity control cpl.	11
24.00.164	Inner glass pane	27
54.01.148	Inspection lid, quenching nozzle, B2	33
40.04.046	Interface cable USB 1.0m	31

Index

Part-no.	Description	Page
1005.2000	Interlocking tooth screw M5x8	25
20.01.755	Isolation for mounting plate for motor	19
2062.0331	Junction pressure hose GS 10	15
2760.1370	Latch hook for air baffle	23
2920.1300	Level elektrode insert	13
24.00.504	Lock cover	25
50.00.086	Locking plate f. water distribution	33
12.01.133	Lower part of pedestal	29
40.03.410	Mating flange f. heating assembly	17
40.04.039	Meat probe sensor	21
22.00.083	Motor shaft gasket	19
22.00.882	Mounting device f. pressure sensor	11
40.03.371	Mounting device heat sink SSR	7
22.00.722	Mounting support f. gasket flange	19
40.03.404	Mounting support transformer	9
50.00.078	Non return valve DW16/DN12	33
22.00.837	O-ring for humidity control	11
16.01.965	Opening mechanism for panel insert	29
1008.0768	Ornamental screw M8x16	25
1008.0769	Ornamental screw M8x30	25
22.00.850	Outer humidity meas. Piece	11
54.01.117	Outlet sieve	21
10.00.507	Pan head screw Torx 5/16" T20	7
10.00.365	Pan head screw Torx M3x20	9
10.00.061	Pan head screw Torx T20 M4x12	7
50.00.085	Plug-in spring f. hand shower roll guide	33
40.00.464	Potentiometer CT	5
2067.0050	Pressure hose d10mm	33
3017.1011	Pressure sensor for humidity control Huba 401	11
2118.1000	Pump connection spout	15
8354.1320	Pump connection spout cpl.	13
40.00.098	Reflector f. interior light	21

Index

Part-no.	Description	Page
10.00.515	Rivet 3,2x5 A4	23
1603.0166	Rivet 3,2x7,9 CNS closed	31
1604.0167	Rivet 4x10	23
10.00.041	Rivet nut M5 hexagon closed	27
54.01.141	Rubber form piece venting pipe	33
40.01.482	Safety temperature limiter 365°C	9, 21
40.01.317	Screen core temperature sensor	21
40.03.782	Screen interior cabinet sensor	21
16.01.908	Sealing f. panel insert	5
16.00.128	Side panel left	31
16.00.127	Side panel right	31
2110.1008	Silicon hose ø10x2mm	15
24.00.171	Silicone buffer 7mm for door	27
50.01.147	Single solenoid valve	33
50.01.146	Single solenoid valve	33
24.00.147	Sleeve for door bolt top	27
1104.0820	Snap nut 4,2mm	29, 31
40.00.453	Solid state relais	7
24.01.100	Spring clip f. door lock	25
10.01.049	Square necked mushroom head bolt 6x30	19
1107.0103	Star lock ø3	17
1107.0100	Star lock ø4	31
44.00.941	Steam generator insolated	13
2112.1006	Steam hose 50x7mm	13
10.01.191	Sticker set	37
2120.1259	Stop plug 10mm	15
22.00.491	Surge guard for Meat probe sensor	23
50.00.313	T-fitting water connection	33
40.03.729	Terminal block grey WKN 35/U	9
40.00.290	Thermocouple humidity	21
40.03.488	Thermocouple interior cabinet B1	21
40.04.106	Thermocouple steam generator *B5*	13

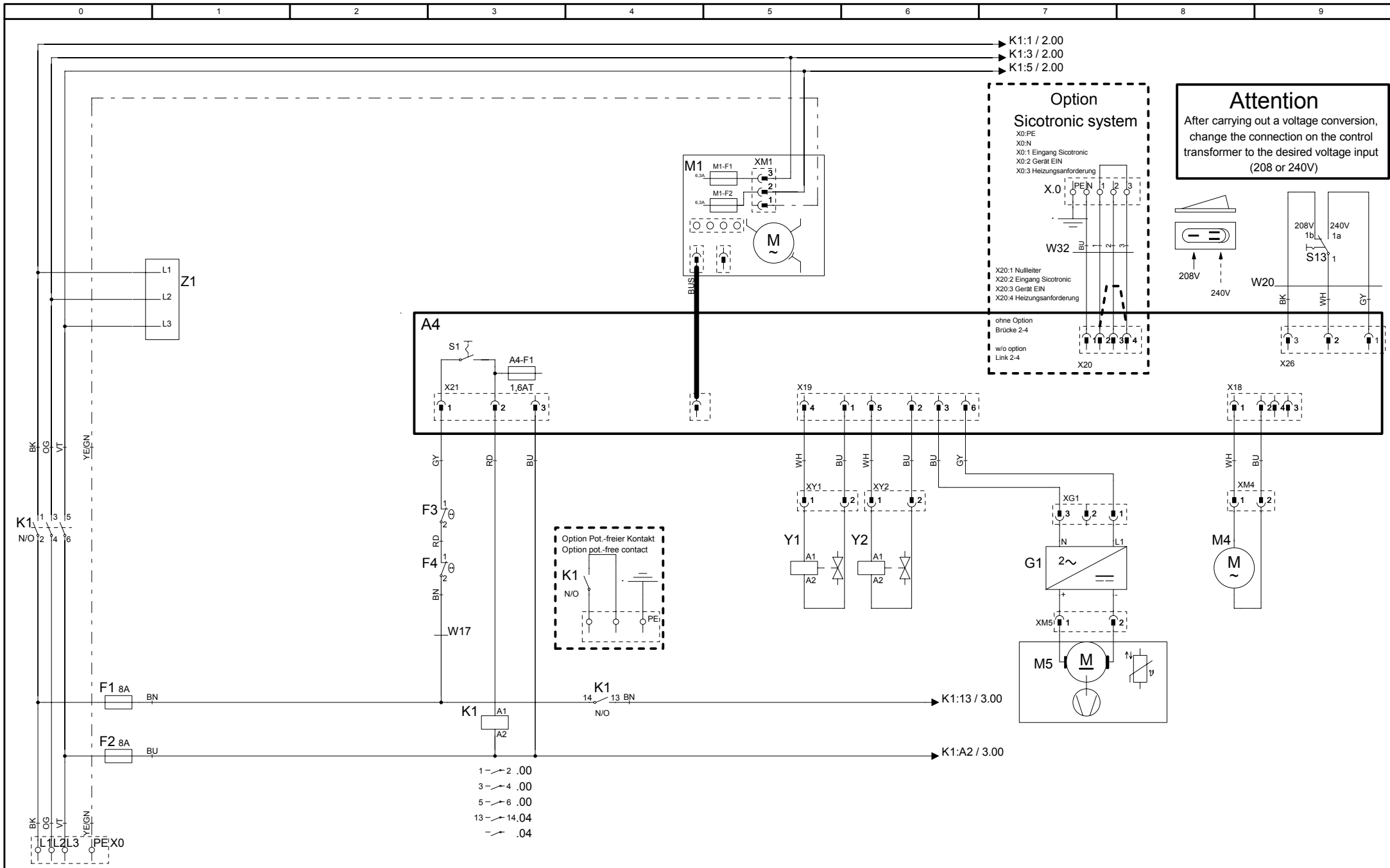
Index

Part-no.	Description	Page
4005.0101	Tie rap 145 mm	15
1204.0120	Tooth lock washer A4,3	7
1206.0120	Tooth lock washer A6,4	29
16.02.152	Top cover	31
50.00.751	Tulip for handshower with tape	31
12.00.516	Turning lock f. lower part of pedestal	29
12.00.205	Upper part of pedestal	29
40.02.425	Varistor	9
22.00.767	Vent cover	11, 29
54.01.110	Ventilation pipe	33
8354.1304	Venting valve for steam generator	33
10.00.744	Washer A4,3 *A4	23
1306.0222	Washer A6,4x15x1,5	13
1308.0162	Washer A8,4	19
1308.0160	Washer A8,4	25
60.71.379	Water connection kit, table unit E/USA	37
50.00.070	Water distribution hor roll guide con.	33
50.00.071	Water distribution hor. w/o roll guide con.	33
1900.0202	Water filter	33
40.03.531	Wiring interior light	21

Deckblatt Elektrische Dokumentation, Cover sheet electrical Documentation

Die Elektrische Dokumentation besteht aus: 1. diesem Deckblatt, 2. dem Schaltplan und 3. der Legende der elektrischen Bauteile
The electric documentation contains: 1. this cover sheet, 2. the wiring diagram and 3. the bill of material (BOM)

Deckblatt-Nr. Front Page No.	75-21344	Version	0
Typ / Type	CMP 101E		
Schaltplan Wiring diagram	76-00519	Version	0
Spannung (SPL) Voltage	3AC208 V 60 Hz		
Legende Legend electr. components	78-00889	Version	0
Geräteserialnr. Serial number	E11MH1102	Version	1102
Erstellt am Created at	Sep 1, 2011 1:27 PM	Ersteller Creator	SCHD
Gültig ab Valid from	Aug 30, 2011 3:38 PM	Änderung Modification	



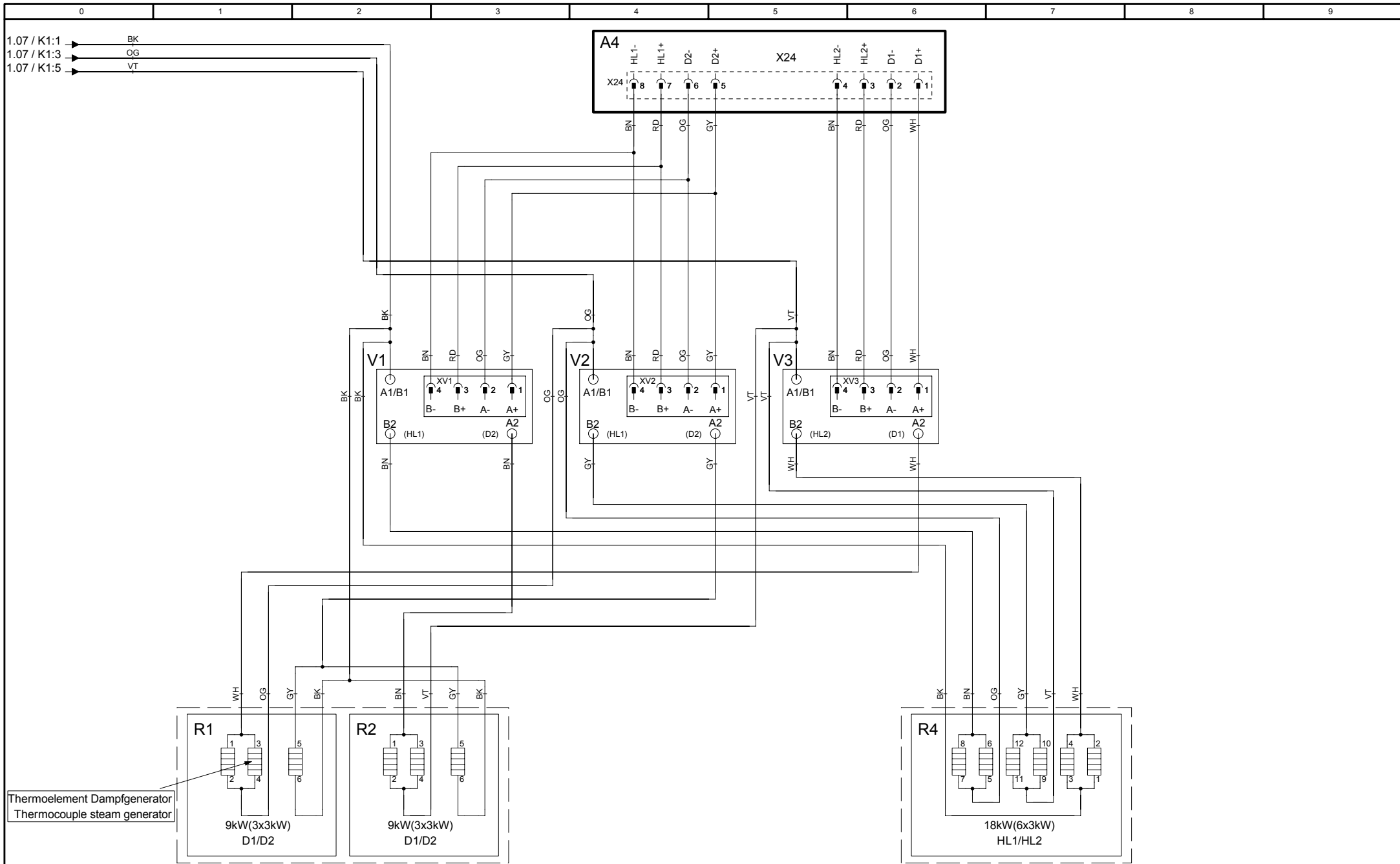
76-00519
Version 0

MODUL 1
Leistung/Power

1 → 2 .00
 3 → 4 .00
 5 → 6 .00
 13 → 14.04
 → .04

CMP 101E-UL
3AC208 V 60 Hz

Erstellt von SCHD
 Created by
 Datum 05.10.2011
 Date
 Blatt 1
 Page

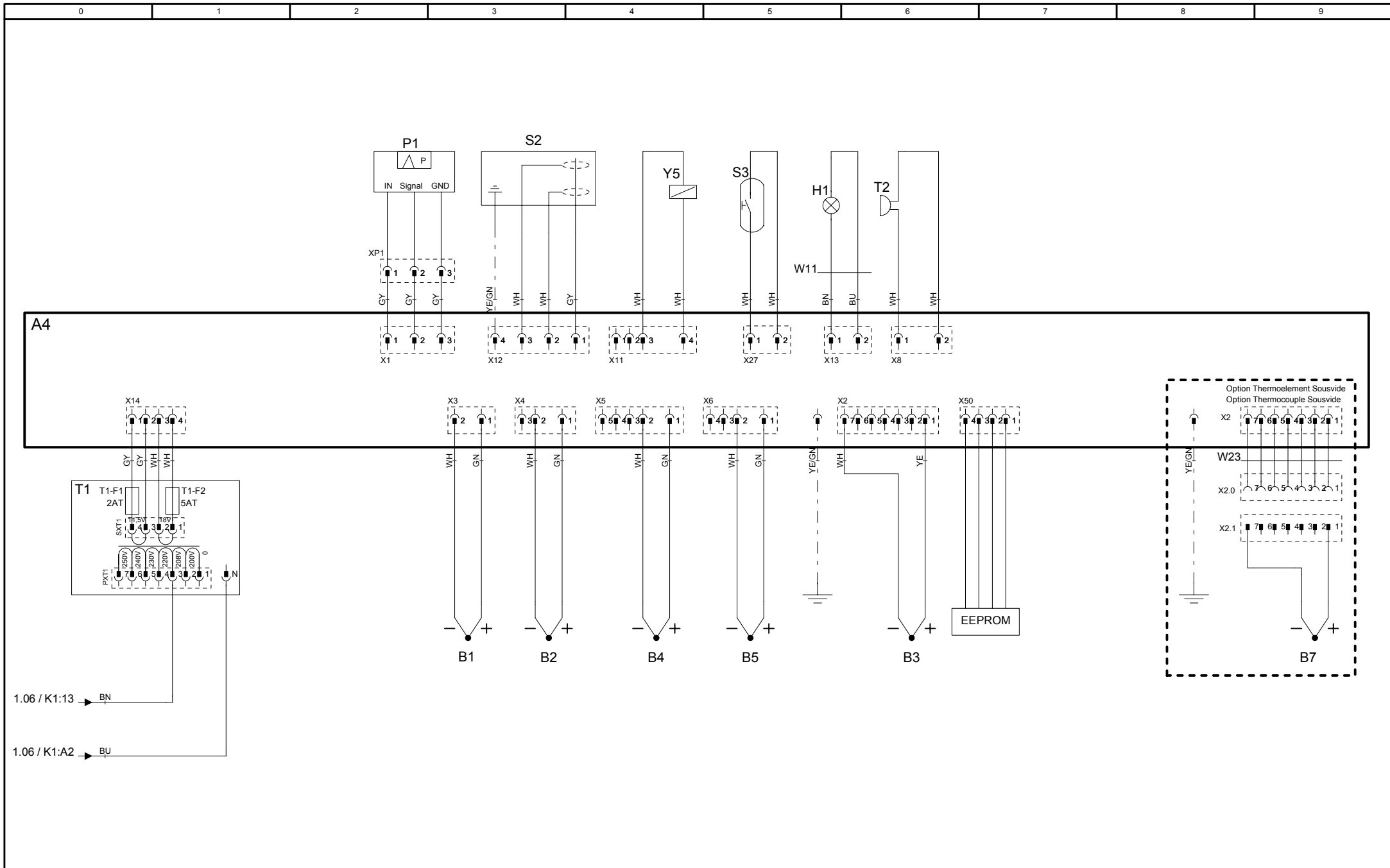


76-00519
Version 0

MODUL 2
Heizung/Heating

CMP 101E-UL
3AC208 V 60 Hz

Erstellt von SCHD
Created by
Datum 05.10.2011
Date
Blatt 2
Page



Positionsliste

Bill of material

Name Name	Artikelnr. Item number	Artikelbezeichnung	Item description	Module Modul
-A4	42.00.090	Bedienplatine CMP	Operator PCB CMP	Modul 1
-A4-F1	3019.0125	Sicherung 1,6AT	Fuse 1,6AT	Modul 1
-B1	40.03.488	Thermoelement Garraum	Thermocouple interior cabinet	Modul 3
-B2	54.01.148	Thermoelement Ablöschung	Thermocouple quenching	Modul 3
-B3	40.04.039	Thermoelement Kerntemperatur	Thermocouple core sensor	Modul 3
-B4	40.00.290	Thermoelement Feuchte	Thermocouple humidity	Modul 3
-B5	40.04.106	Thermoelement Dampfgenerator	Thermocouple steam generator	Modul 3
-F1/F2	40.01.588	Steuersicherung	Control fuse	Modul 1
-F3	40.01.329	Sicherheitstemperaturbegrenzer Gas:157°C/314° F Elek.:183°C/360°F	Safety thermostat steam generator Gas: 157°C/ 314°F Elec.: 183°C/360°F	Modul 1
-F4	40.01.482	Sicherheitstemperaturbegrenzer 360°C/680°F	Safety thermostat interior cabinet 360°C/680°F	Modul 1
-G1	40.03.257	Gleichrichter Kühllüfter	DC converter cooling fan	Modul 1
-H1	3024.0201	Garraumbeleuchtung	Interior cabinet light	Modul 3
-K1	40.03.669	Hauptschütz	Main contactor	Modul 1
-M1	40.03.378	Lüftermotor	Fan motor	Modul 1
-M4	44.00.207	SC-Pumpe	SC-pump	Modul 1
-M5	40.03.428	Kühllüfter	Cooling fan	Modul 1
-P1	3017.1011	Differenzdrucksensor	Differential pressure sensor	Modul 3
-R1	44.01.347	Dampfheizkörper	Heating element steam	Modul 2
-R2	44.01.374	Dampfheizkörper	Heating element steam	Modul 2
-R4	40.03.639	Heißluftheizkörper	Heating element hot air	Modul 2
-S2	44.01.407	Niveauelektrode	Water level electrode	Modul 3
-S3	40.00.335	Türkontaktschalter	Door contact switch	Modul 3

Änderungsdatum	30.08.2011	Name	CMP 101E-UL	Dokument-Nr.	78-00889
Erzeuger	SCHD	Spannung	3AC208 V 60 Hz	Version	0

Positionsliste

Bill of material

Name Name	Artikelnr. Item number	Artikelbezeichnung	Item description	Module Modul
-S7	40.00.464	Potentiometer Zeit / Kerntemperatur	Time / Core potentiometer	Modul 3
-T1	40.03.348	Steuertrafo	Control transformer	Modul 3
-T1-F1	3019.0120	Sicherung Steuertrafo T1 2AT	Fuse control transformer T1 2AT	Modul 3
-T1-F2	3019.0126	Sicherung Steuertrafo T1 5AT	Fuse control transformer T1 5AT	Modul 3
-T2	40.04.048	SCC WE: Lautsprecher / CMP: Alarmsummer	SCC WE: Speaker / CMP: Buzzer	Modul 3
-V1-V12	40.00.453	Leistungshalbleiter	Solid state relais	Modul 2
-W11	40.03.531	Kabel: Garraumbeleuchtung	Cable: interior cabinet light	Modul 3
-W17	40.03.812	Kabel: Steuerstamm	Cable: control harness	Modul 1
-W20	40.03.981	Kabel: Spannungswahlschalter UL	Cable: selector switch UL	Modul 1
-X20	40.04.180	Sicotronic-Klemme	Sicotronic link	Modul 1
-Y1	50.01.147	Magnetventil Füllen	Solenoid valve filling	Modul 1
-Y2	50.01.146	Magnetventil Ablöschung	Solenoid valve quenching	Modul 1
-Y5	22.00.725	Klimaventil	Clima valve	Modul 3
-Z1	40.02.425	Entstörfilter/Varistor	Electronic noise filter	Modul 1

Änderungsdatum	30.08.2011	Name	CMP 101E-UL	Dokument-Nr.	78-00889
Erzeuger	SCHD	Spannung	3AC208 V 60 Hz	Version	0