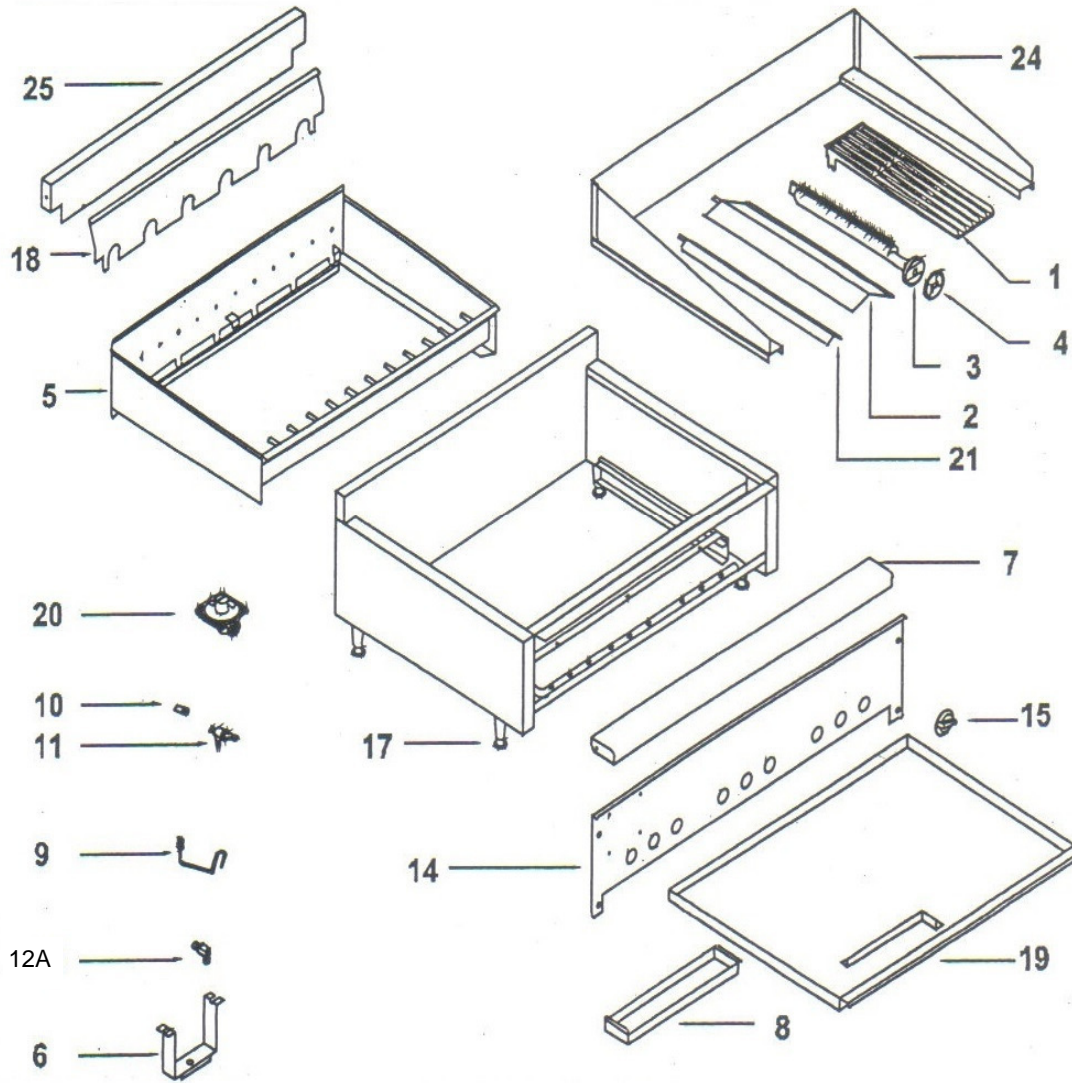


RANKIN-DELUX, INC. TB-8 INFRARED TYPE TURBO BROILER



WHEN ORDERING PARTS, PLEASE PROVIDE THE FOLLOWING INFORMATION

- A. MODEL NUMBER C. PART NUMBER
B. SERIAL NUMBER D. TYPE OF GAS

11/19/2013

| ITEM | PART # | DESCRIPTION | LIST \$\$ | ITEM | PART # | DESCRIPTION | LIST \$\$ |
|------|----------|---|-----------|------|-----------|--|-----------|
| 1 | TB-01 | STANDARD TOP GRATE (5" X 23") | | 11 | TB-11 | BURNER VALVE WITHOUT ORIFICE | |
| 1 | TB-01A | FISH GRATE | | 12 | TB-12 | PILOT ADJUSTMENT VALVE - DOUBLE | |
| 2 | TB-02 | STAINLESS STEEL RADIANT | | 12 | TB-12A | PILOT ADJUSTMENT VALVE - SINGLE | |
| 3 | TB-03 | BURNER WITH AIR SHUTTER | | 14 | TB-14 | FRONT PANEL (SPECIFY MODEL) | |
| 4 | TB-04 | AIR SHUTTER ONLY | | 15 | TB-15 | KNOB | |
| 5 | TB-15-05 | RADIANT PAN - FOR TB815-C | | 17 | TB-17 | ADJUSTABLE LEG | |
| 5 | TB-21-05 | RADIANT PAN - FOR TB821-C | | 18 | TB-18 | HEAT SHIELD (SPECIFY MODEL) | |
| 5 | TB-25-05 | RADIANT PAN - FOR TB825-C | | 19 | TB-15-19 | DRIP TRAY - FOR TB815-C | |
| 5 | TB-30-05 | RADIANT PAN - FOR TB830-C | | 19 | TB-21-19 | DRIP TRAY - FOR TB821-C | |
| 5 | TB-36-05 | RADIANT PAN - FOR TB836-C | | 19 | TB-25-19 | DRIP TRAY - FOR TB825-C | |
| 5 | TB-41-05 | RADIANT PAN - FOR TB841-C | | 19 | TB-30-19 | DRIP TRAY - FOR TB830-C | |
| 5 | TB-46-05 | RADIANT PAN - FOR TB846-C | | 19 | TB-36-19 | DRIP TRAY - FOR TB836-C | |
| 5 | TB-60-05 | RADIANT PAN - FOR TB860-C | | 19 | TB-41-19 | DRIP TRAY - FOR TB841-C | |
| 5 | TB-72-05 | RADIANT PAN - FOR TB872-C | | 19 | TB-46-19 | DRIP TRAY - FOR TB846-C | |
| 5 | TB-84-05 | RADIANT PAN - FOR TB884-C | | 19 | TB-60-19 | DRIP TRAY - FOR TB860-C (BEFORE 12/18/98 1 REQUIRED) | |
| 6 | TB-06 | PILOT BRACKET - DOUBLE | | 19 | TB-60-19A | DRIP TRAY - FOR TB860-C (2 REQUIRED) | |
| 6 | TB-06A | PILOT BRACKET - SINGLE | | 19 | TB-72-19 | DRIP TRAY - FOR TB872-C (2 REQUIRED) | |
| 7 | TB-07 | FRONT CAP (SPECIFY MODEL) | | 19 | TB-84-19 | DRIP TRAY - FOR TB884-C (2 REQUIRED) | |
| 8 | TB-08 | GREASE PAN / TRAY (3-1/4" X 15") | | 20 | TB-20 | GAS REGULATOR 3/4", NAT | |
| 9 | TB-09 | PILOT TUBE WITH TIP - FOR DOUBLE ADJ. VALVE | | 20 | TB-20A | GAS REGULATOR 3/4", LP | |
| 9 | TB-09A | PILOT TUBE WITH TIP - FOR SINGLE ADJ. VALVE | | 21 | TB-21 | STAINLESS STEEL BAFFLE | |
| 10 | TB-10 | ORIFICE, NAT | | 24 | TB-24 | REMOVABLE SPLASH (SPECIFY MODEL) | |
| 10 | TB-10A | ORIFICE, LP | | 25 | TB-25 | BACK CAP (SPECIFY MODEL) | |