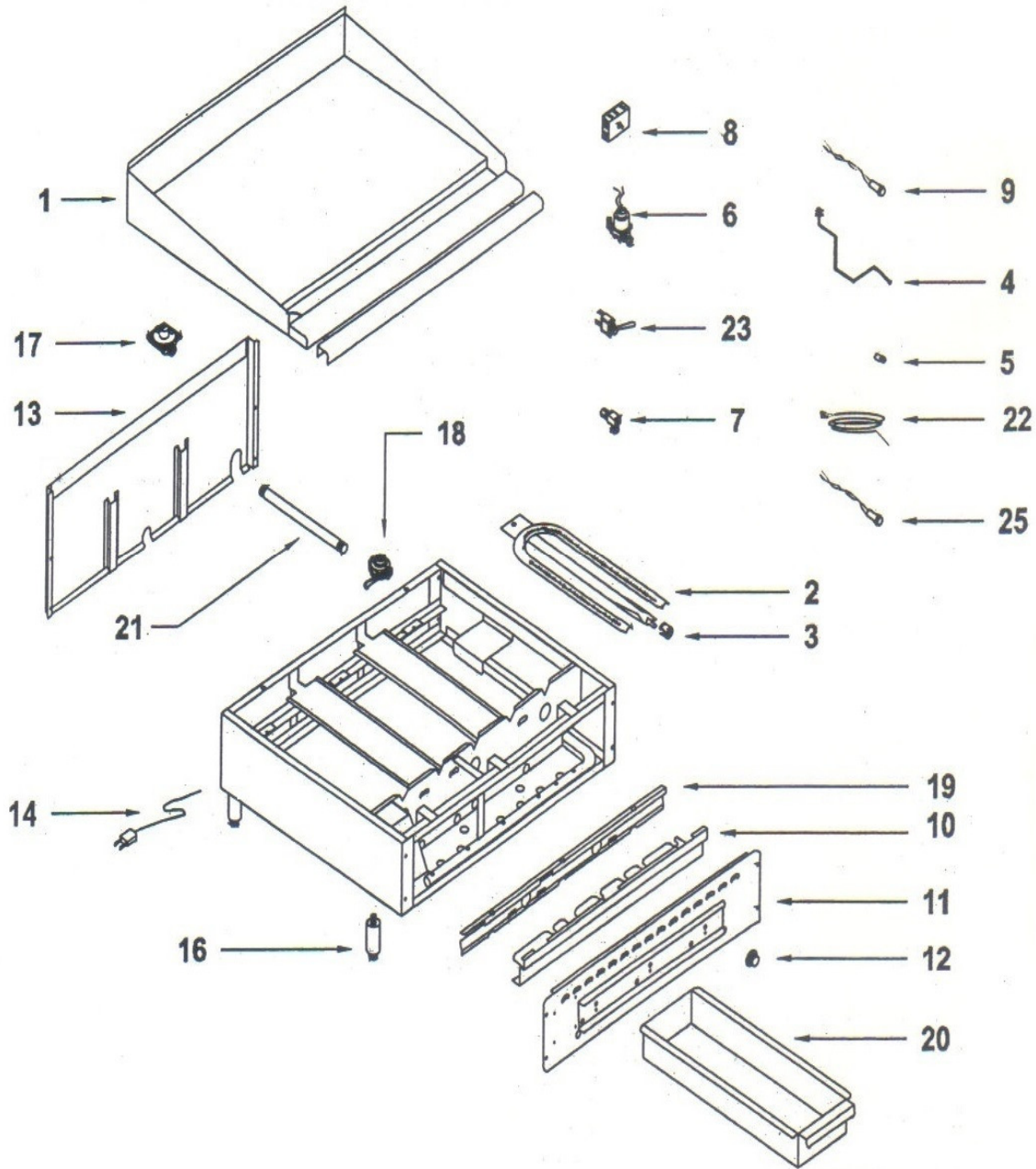


RANKIN-DELUX, INC. MODEL RD85 SOLID STATE GRIDDLE



WHEN ORDERING PARTS, PLEASE PROVIDE THE FOLLOWING INFORMATION

A. MODEL NUMBER C. PART NUMBER
B. SERIAL NUMBER D. TYPE OF GAS

ITEM	PART #	DESCRIPTION	LIST \$\$	ITEM	PART #	DESCRIPTION	LIST \$\$
1	RD85-01	GRIDDLE PLATE ASSEMBLY (SPECIFY MODEL)		13	RD85-13	BACK PANEL (SPECIFY MODEL)	
2	RD85-02	BURNER WITH AIR SHUTTER		14	RD85-14	POWER CORD	
3	RD85-03	AIR SHUTTER ONLY		16	RD85-16	ADJUSTABLE LEG	
4	RD85-04	PILOT TUBE W/TIP - SPECIFY (RT/LT) (24K/32K BTU)		17	RD85-17	GAS REGULATOR 3/4", NAT	
5	RD85-05	ORIFICE, NAT		17	RD85-17A	GAS REGULATOR 3/4", LP	
5	RD85-05A	ORIFICE, LP		18	RD85-18	GAS SHUT OFF VALVE (REPLACEMENT PART ONLY)	
6	RD85-06	SOLENOID VALVE		19	RD85-19	HEAT SHIELD WITH INSULATION (SPECIFY MODEL)	
7	RD85-07	PILOT ADJUSTMENT VALVE - SINGLE ONLY		20	RD85-20	GREASE DRAWER / PAN (6" X 18")	
8	RD85-08	SOLID STATE THERMOSTAT		21	RD85-21	EXTENSION PIPE (3/4" X 13-1/2")	
9	RD85-09	BURNER IGNITION INDICATOR LIGHT - RED		22	RD85-22	SENSOR PROBE	
10	RD85-10	FRONT COMPLETE HEAT SHIELD (SPECIFY MODEL)		23	RD85-23	TOGGLE SWITCH	
11	RD85-11	FRONT PANEL (SPECIFY MODEL)		25	RD85-25	ON/OFF INDICATOR LIGHT - GREEN	
12	RD85-12	KNOB					