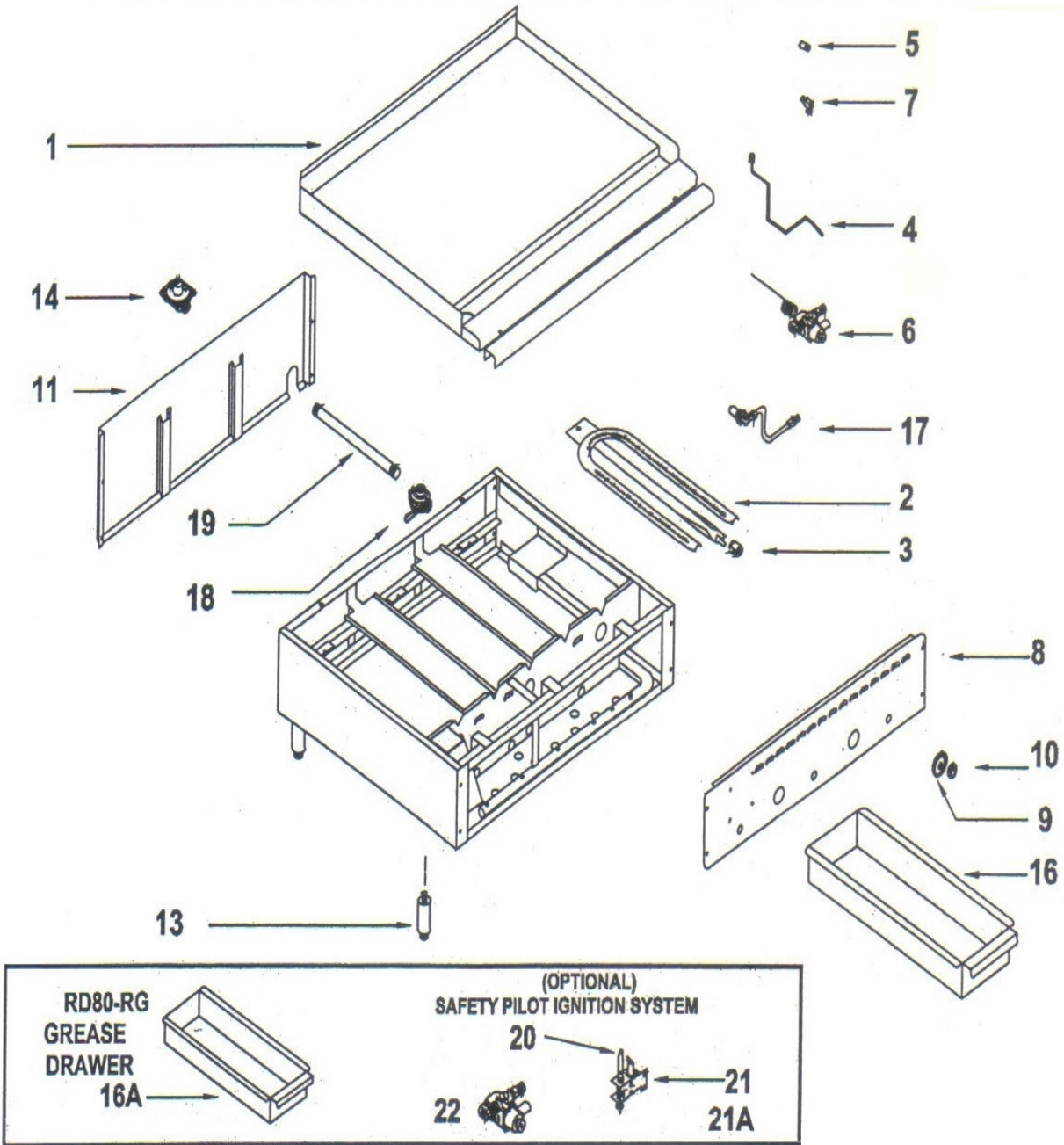


RANKIN-DELUX, INC. MODEL RD80 THERMOSTATIC CONTROL GRIDDLE



WHEN ORDERING PARTS, PLEASE PROVIDE THE FOLLOWING INFORMATION

A. MODEL NUMBER C. PART NUMBER
 B. SERIAL NUMBER D. TYPE OF GAS

ITEM	PART #	DESCRIPTION	LIST \$\$	ITEM	PART #	DESCRIPTION	LIST \$\$
1	RD80-01	GRIDDLE PLATE ASSEMBLY - (SPECIFY MODEL)		13	RD80-13	ADJUSTABLE LEG	
2	RD80-02	BURNER WITH AIR SHUTTER		14	RD80-14	GAS REGULATOR 3/4", NAT	
3	RD80-03	AIR SHUTTER ONLY		14	RD80-14A	GAS REGULATOR 3/4", LP	
4	RD80-04	PILOT TUBE W/ TIP - SPECIFY (RT/LT) (24K/32K BTU)		16	RD80-16	GREASE DRAWER / PAN (6" X 18")	
5	RD80-05	ORIFICE, NAT		16	RD80RG-16A	REAR GUTTER GREASE DRAWER/PAN (6" X 28")	
5	RD80-05A	ORIFICE, LP		17	RD80-17	ALUMINUM TUBE W/ FITTINGS	
6	RD80-06	BJWA THERMOSTAT		18	RD80-18	GAS SHUT OFF VALVE (REPLACEMENT PART ONLY)	
7	RD80-07	PILOT ADJUSTMENT VALVE - SINGLE ONLY		19	RD80-19	EXTENSION PIPE (3/4" X 13-1/2")	
8	RD80-08	FRONT PANEL (SPECIFY MODEL)		20	RD80-20	SAFETY THERMOCOUPLE	
9	RD80-09	BEZEL		21	RD80-21	SAFETY PILOT, NAT	
10	RD80-10	KNOB		21	RD80-21A	SAFETY PILOT, LP	
11	RD80-11	BACK PANEL (SPECIFY MODEL)		22	RD80-22	SAFETY VALVE - FOR TS11J SAFETY PILOT	