



coffeeing the World

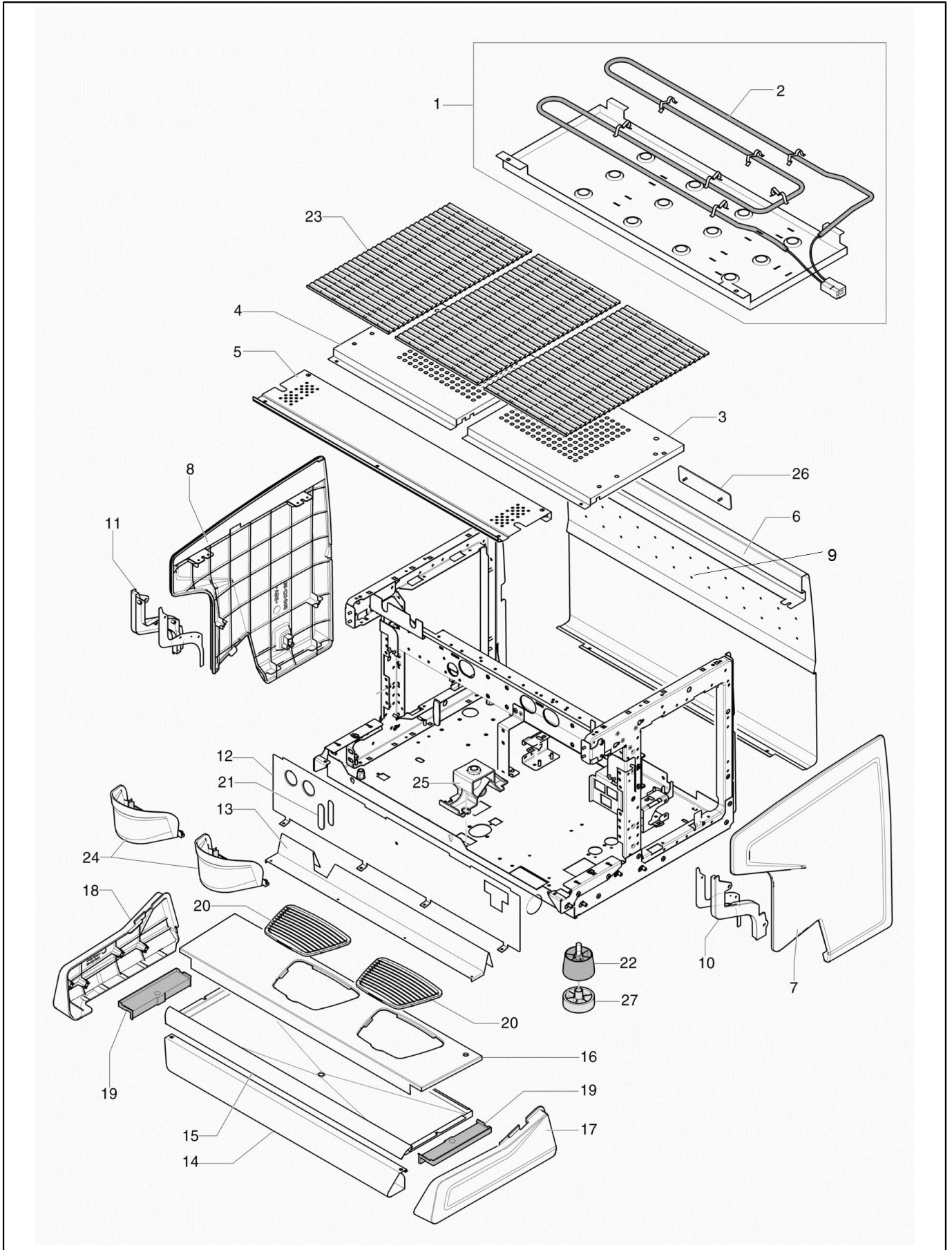
CLASSE 9 USB X-CELSIUS



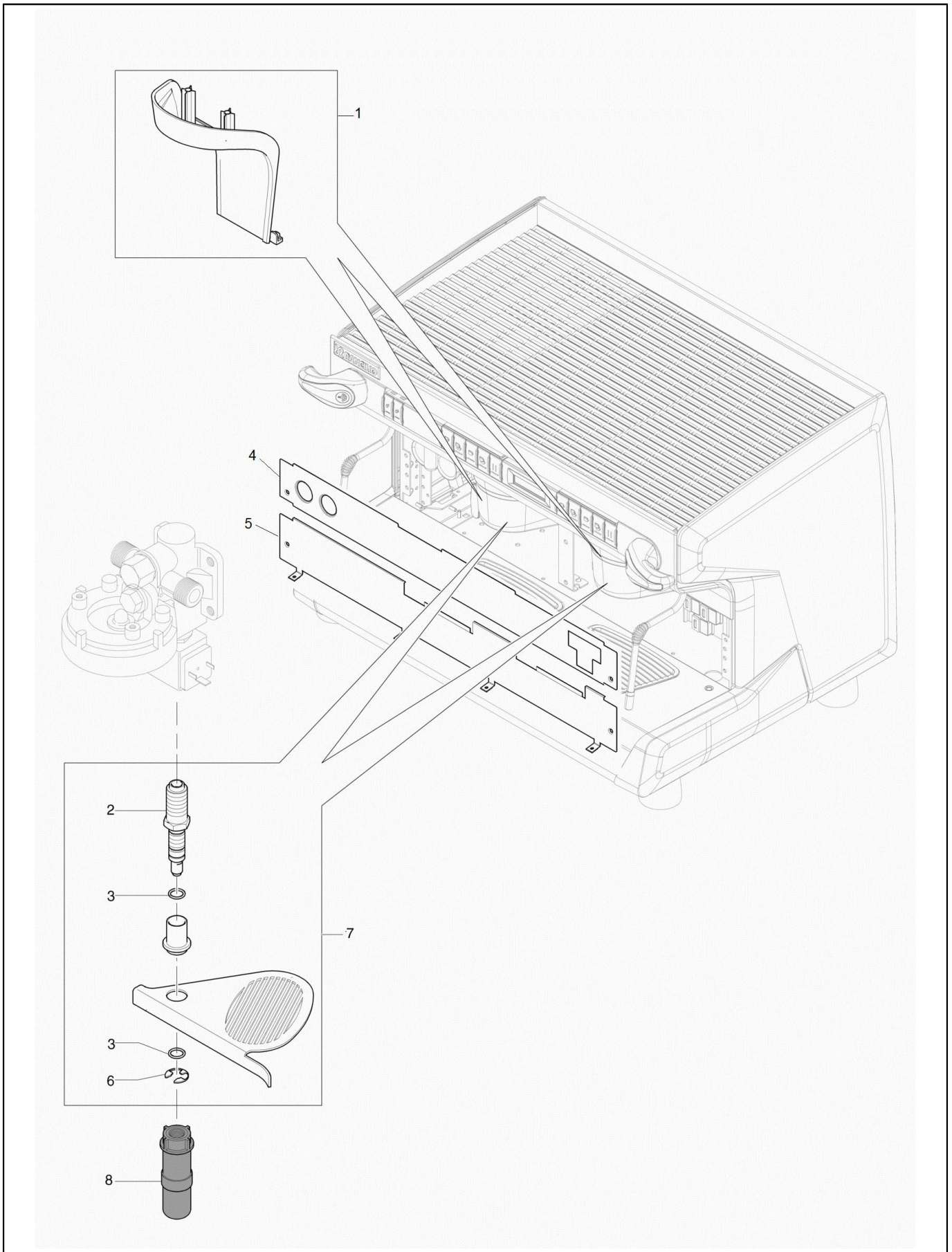
CLASSE 9

Index

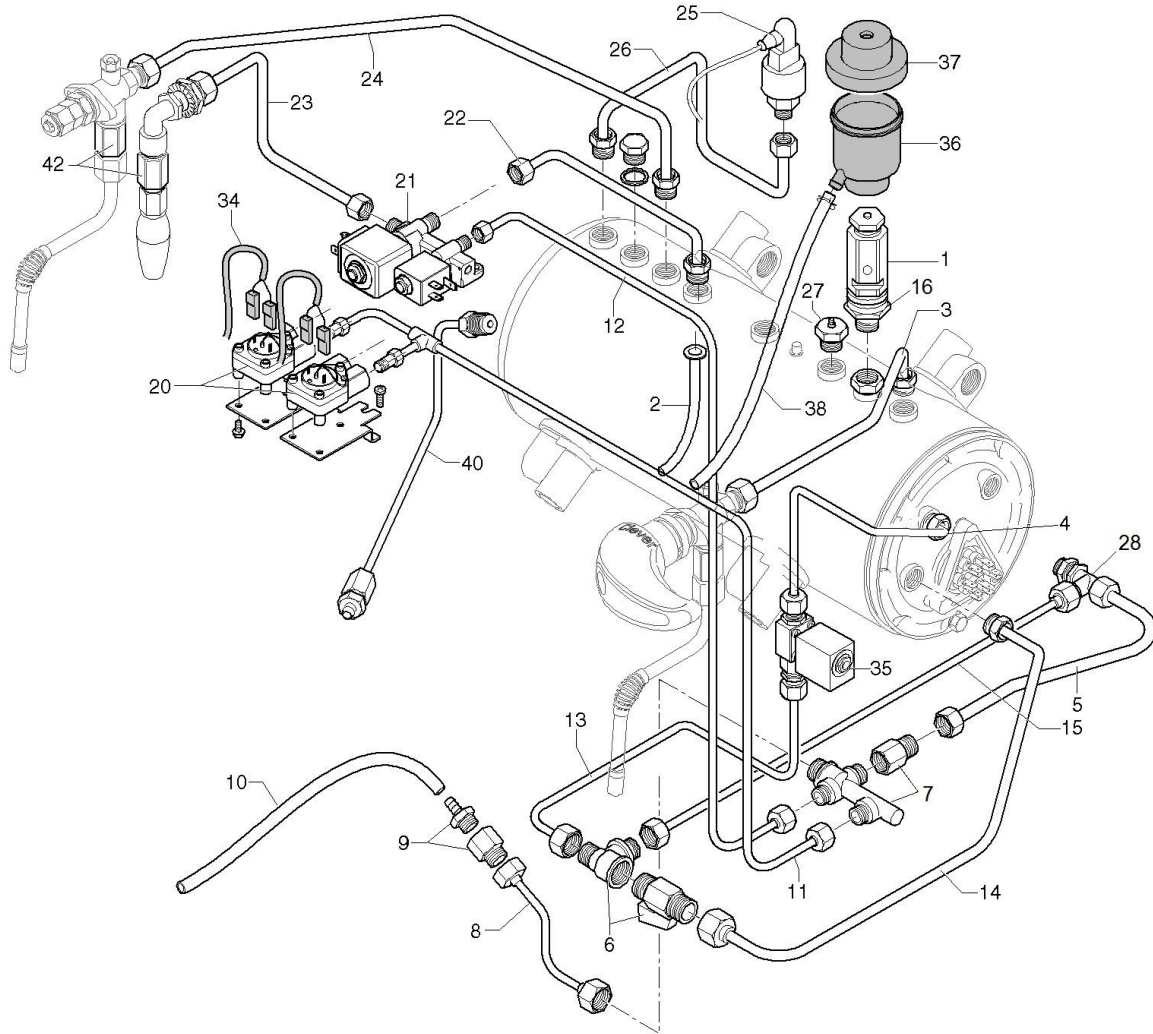
Table 1000 - Body.....	4
Table 1003 - HOUSING TALL.....	6
Table 2002 - HYDRAULIC CIRCUIT XCELSIUS.....	8
Table 2003 - HEATING ELEMENT/CHECK EXP. VALVE.....	10
Table 2006 - BREWING GROUP XCELSIUS.....	12
Table 2007 - Water spout	14
Table 2008 - Clever Steam Tap	16
Table 2009 - XCELSIUS SYSTEM.....	18
Table 2010 - LEVEL INDICATOR.....	20
Table 3002 - ELECTRIC/ELECTRONIC PARTS XCELSIUS.....	22
Table 4000 - ISTEAM CLASSE 9.....	24
Alphanumeric index.....	26



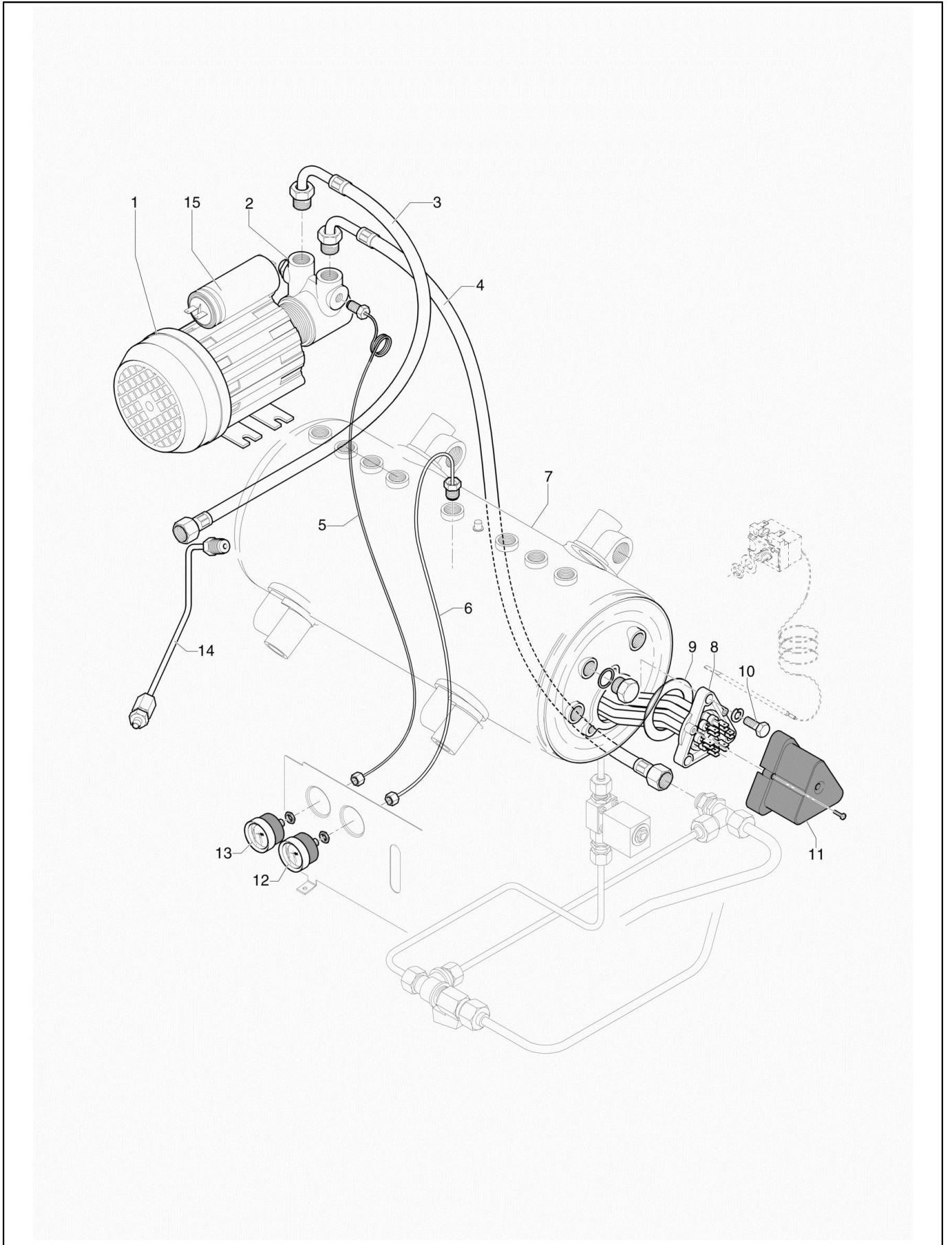
POS.	CODE	DESCRIPTION	QTY	START DATE	END DATE	NOTES
1	10700276	KIT CUPWARMER 2GR + SCREWS SET	1			
	10700277	KIT CUPWARMER 3GR + SCREWS SET	1			
	10700278	KIT CUPWARMER 4GR + SCREWS SET	1			
2	33122002	Cup-WARMER Resistanceance 230V 2GR	1			
	33122003	Cup-WARMER Resistanceance 230V 3GR	1			
	33122004	Cup-WARMER Resistanceance 230V 4GR	1			
3	32330971	Heating Cup grate DX	1			
4	32330972	Heating Cup grate SX	1			
5	32331726	UPPER GROUP BAND 2GR	1			
	32331727	UPPER GROUP BAND 3GR	1			
	32331728	UPPER GROUP BAND 4GR	1			
6	32331730	FRONTAL 2GR C9	1			
	32331731	FRONTAL 3GR C9	1			
	32331732	FRONTAL 4GR C9	1			
7	10905015	RIGHT SIDE PANEL C9	1			
8	10905016	LEFT SIDE PANEL C9	1			
9	45010240	STICKER XCELSIUS BACK PANEL	1			
10	10705696	LED BAR RIGHT XCELSIUS RED	1			
11	10705697	LED BAR LEFT XCELSIUS RED	1			
12	32331714	TemPlate 2GR	1			
	32331715	TEMPLATE 3GR	1			
	32331716	TemPlate 4GR.	1			
13	32331710	PROTECTION DRAIN TRAY C9	1			
	32331711	PROTECTION DESCHARGE C9 3GR	1			
	32331712	PROTECTION DESCHARGE C9 4GR	1			
14	32331702	LOWER DRAIN TRAY BAND 2GR	1			
	32331703	LOWER DRAIN TRAY BAND 3GR	1			
	32331704	LOWER DRAIN TRAY BAND 4GR	1			
15	32331706	DRAIN TRAY 2GR	1			
	32331707	DRAIN TRAY 3GR	1			
	32331708	DRAIN TRAY 4GR	1			
16	32331736	CUP TRAY 2GR C9	1			
	32331737	CUP TRAY 3GR C9	1			
	32331738	CUP TRAY 4GR C9	1			
17	38120501	RIGHT BASIN SIDE	1			
18	38120502	LEFT BASIN SIDE	1			
19	38120503	LATERAL GRATE SUPPORT C9	1			
20	38123666	CUP TRAY MC/07	1			
21	38123856	Level Watch Glass	1			
22	38123568	Coffee machine leg	1			
23	38123921	HEATING CUPS GRATE	1			
24	10700940	GROUP COVER WITH XCELSIUS LOGO	1			
25	38120511	DRAIN TRAIN CANALIZER	1			
26	42200123	Rancilio Plate MM.145	1			
27	38123852	Riser for coffee machine leg	1			
28	32330973	Heating Cup grate	1			
29	37030509	screw M5 x 10 tcb ph inox	1			side panel/back panel/top panel
30	37154212	SCREW 4,2X13	1			front panel



POS.	CODE	DESCRIPTION	QTY	START DATE	END DATE	NOTES
1	38120507	GROUP COVER C9 TALL	1			
2	23000042	DRAIN ELECTROV TALL	1			
3	36404026	Gasket OR 2043	1			
4	32331718	UPPER TEMPLATE 2GR. TALL C9	1			
	32331719	UPPER TEMPLATE 3GR. TALL C9	1			
	32331720	UPPER TEMPLATE 4GR. TALL C9	1			
5	32331722	LOWER TEMPLATE 2GR. TALL C9	1			
	32331723	LOWER TEMPLATE 3GR. TALL C9	1			
	32331724	LOWER TEMPLATE 4GR. TALL C9	1			
6	37521000	ELASTIC RING DIAM.10	1			
7	10781163	EXTRACTIBLE RISE	1			
8	10090002	THERM.GROUP JETBREAKER	1			
9	37154212	SCREW 4,2X13	1			
10	37030408	Screw M 4 X 8	1			

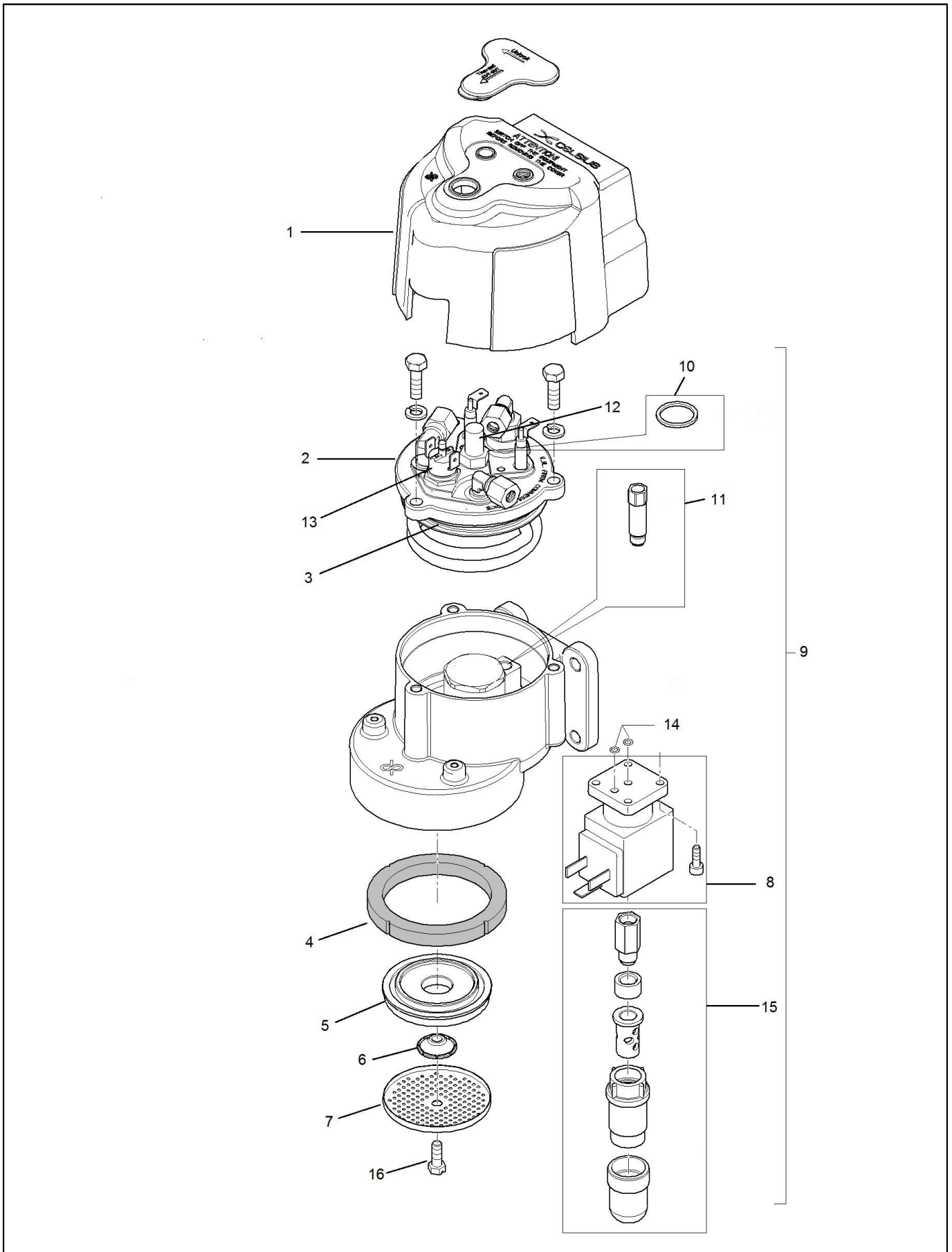


POS.	CODE	DESCRIPTION	QTY	START DATE	END DATE	NOTES
1	10060525	SAFETY VALVE 1,9 BAR 3/8"	1			
2	27120130	HOT WATER SUCTION PIPE	1			
3	10043044	Pipe 8 x 6 x mmL = 320 mm	1			
4	10042022	TUBE 6X4X230	1			
5	10043102	Pipe 8 x 6 x mmL = 130 mm	1			
6	10706083	MANUAL WATER CHARGE ASSY	1			
7	10706068	CHECK VALVE	1			
8	10042127	PIPE 6X4X180	1			
9	10060479	Expansion Valve	1			
10	38228002	Silicone hose D. 9 x 6mmL = 560 mm	1			
11	10046014	MAINFOLD FAN PIPE 2GR	1			
	10046029	FLOWMETER PIPE X-CELSIUS 3GR	1			
12	10042052	PIPE 6X4X690 F1/4	1			
	10042054	PIPE 6X4X1030 F1/4-FREE	1			
13	10042117	Pipe 6 x 4 x mmL = 220 mm	1			
14	10043046	Pipe 8 x 6 x mmL = 270 mm	1			
15	10043067	PIPE 8X6X210 F3/8-F3/8 2-3-4GR.	1			
16	23000163	EXTENSION SECURITY VALVE 3/8"-3/8"	1			
20	10705419	FLOWMETER ASSY. C9 X-CELSIUS	1			
21	10705933	Hot water valve	1			
22	10043033	PIPE 8X6X350	1			
23	10043036	PIPE 8X6X185	1			
24	10043028	Pipe 8 x 6 x mmL = 420 mm F3/8-M3/8	1			
25	34200288	Pressure sensor	1			
26	10043039	Pipe 8 x 6 x mmL = 350 mm	1			
27	10060059	Antivacuum Valve	1			
28	20123001	T JUNCTION	1			
34	10110402	Flowmeter Wiring 1/2GR.	1			
	10110445	Wiring FAN 2-3-4 GR.	1			
35	10060466	Electrovalve Charge+Return 24V	1			
36	38123947	DRAIN TANK SECURITY VALVE	1			
37	38123946	SECURITY VALVE TOP	1			
38	38228003	Silicone hose D. 9 x 6mmL = 480 mm	1			
40	10043007	BOILER DISCHARGE PIPE COMPL.	1			
42	23000158	EXTENSION TAP C9	1			

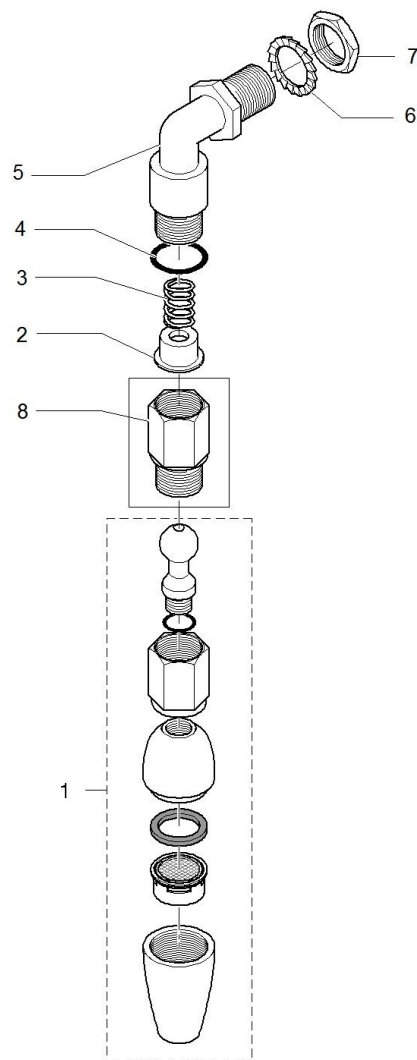


HEATING ELEMENT/CHECK EXP. VALVE

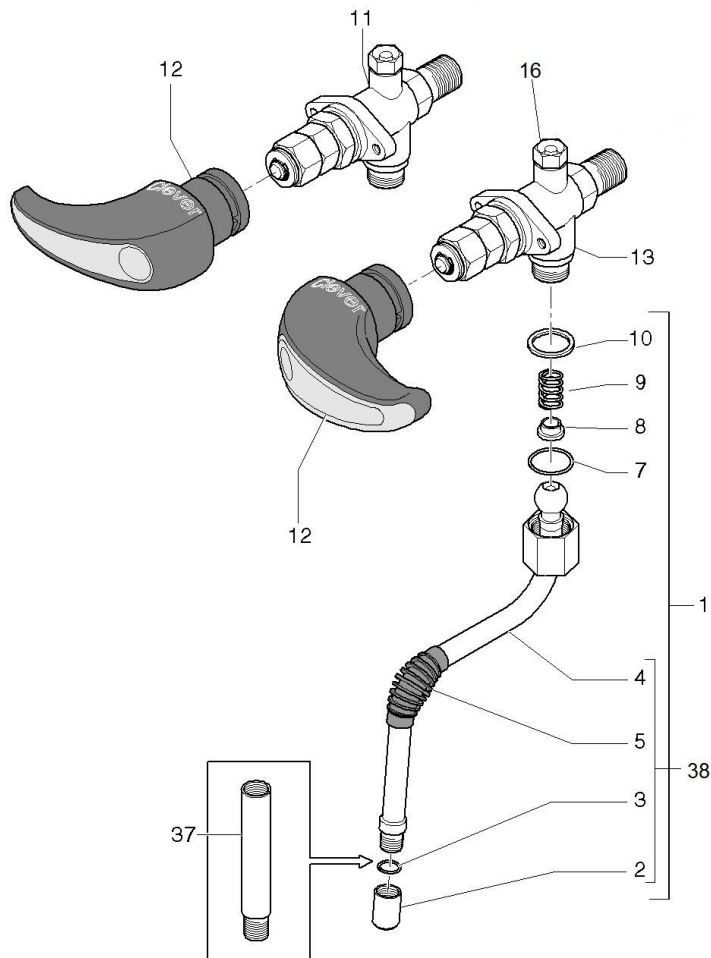
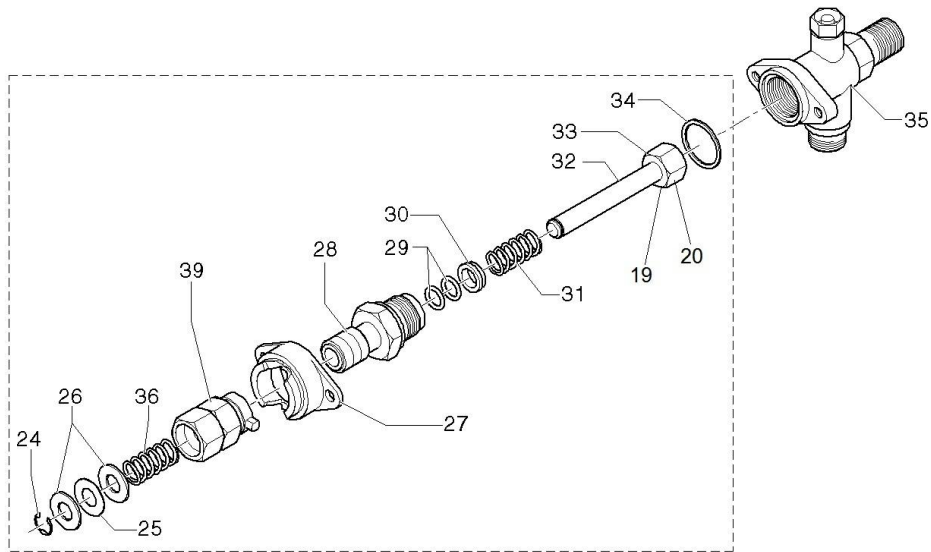
POS.	CODE	DESCRIPTION	QTY	START DATE	END DATE	NOTES
1	34011009	Motor 110 V CE / UL	1			
	34011102	VM MOTOR 230V	1			
2	10705960	KIT PUMPING ELEMENT	1			
	69000269	PUMP VM 200L/H RANCILIO	1			
3	69000734	FLEX PIPE MM1800 WITH ELBOW+CHECK VALVE	1			
	69000735	FLEX PIPE MM2300 WITH ELBOW+CHECK VALVE	1			
4	69000722	FLEX PIPE MM.500	1			
	69000724	FLEX PIPE MM.1200	1			
	69000725	PIPE FLEX MM.730	1			
5	69000243	PUMP MANOMETER PIPE	1			
6	10041042	Pipe 4 x 3 mmL = 600 mm	1			
7	10022320N	BOILER 2GR.	1			
	10022330N	BOILER 3GR PLATED	1			
8	33323430	Resistance + Kap V230/W4300	1			2GR VERS.
	33323540	HEATING ELEMENT+CAPIL 230V/5400W	1			2/3GR VERS.
9	36930012	heating element Gasket	1			
10	37040821	Screw M 8X22	1			
11	38123665	COVER HEATING ELEMENT	1			
12	35002508	BOILER MANOMETER	1			
13	35002509	PUMP MANOMETER	1			
14	10043007	BOILER DISCHARGE PIPE COMPL.	1			
15	34020020	CONDENSER 8 MF RPM	1			
16	36240002	LEVEL TAP GASKET	1			



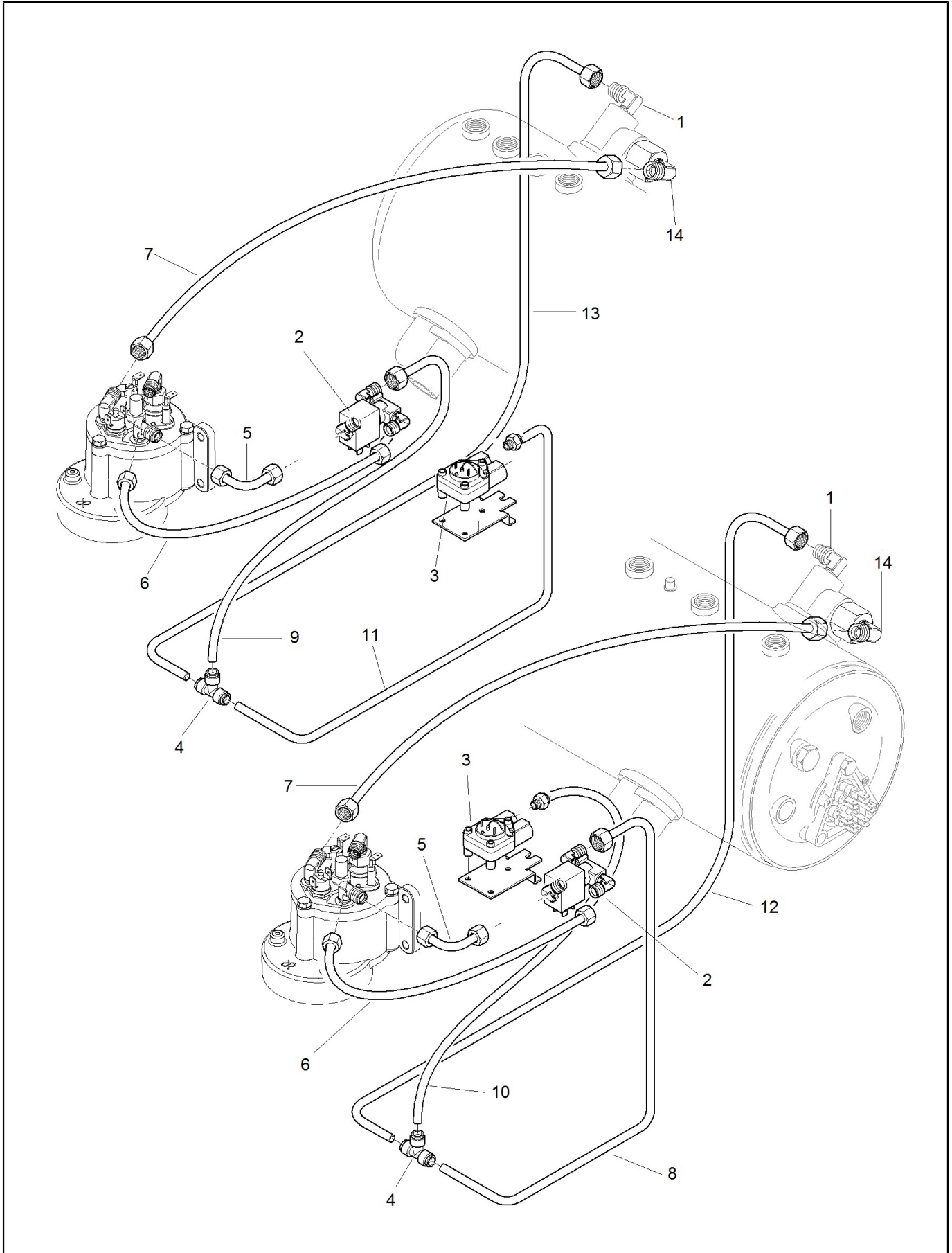
POS.	CODE	DESCRIPTION	QTY	START DATE	END DATE	NOTES
1	10705539	Group Head protection cover Xcelsius	1			
2	10700937	THERMOREG. GROUPHEAD COVER X-CELSIUS COMPLETE	1			
3	36404050	OR GASKET D71,44X3,53 EPDM	1			
4	36301034	GASKET GROUP PEROSSIDICA	1			
5	20200181N	SPACE GROUP NICKEL	1			
6	25139001	GROUP JETBREAKER	1			
7	40200005	SHOWER NET	1			
8	34040024	Electrovalve 3 Way 24V	1			
9	10051184	XCELSIUS GROUP HEAD	1			
10	36402003	GASKET OR 2037	1			
11	10060604	GROUP HEAD JET X-CELSIUS ASSY.	1			
12	34070078	TEMP. PROBE PT1000 1/8 GAS X-CELSIUS	1			
13	00100300.001	Temperature limiter 140 C	1			
14	36402005	EV GASKET	1			
15	10090002	THERM.GROUP JETBREAKER	1			
16	37030518	SHOWER SCREW	1			



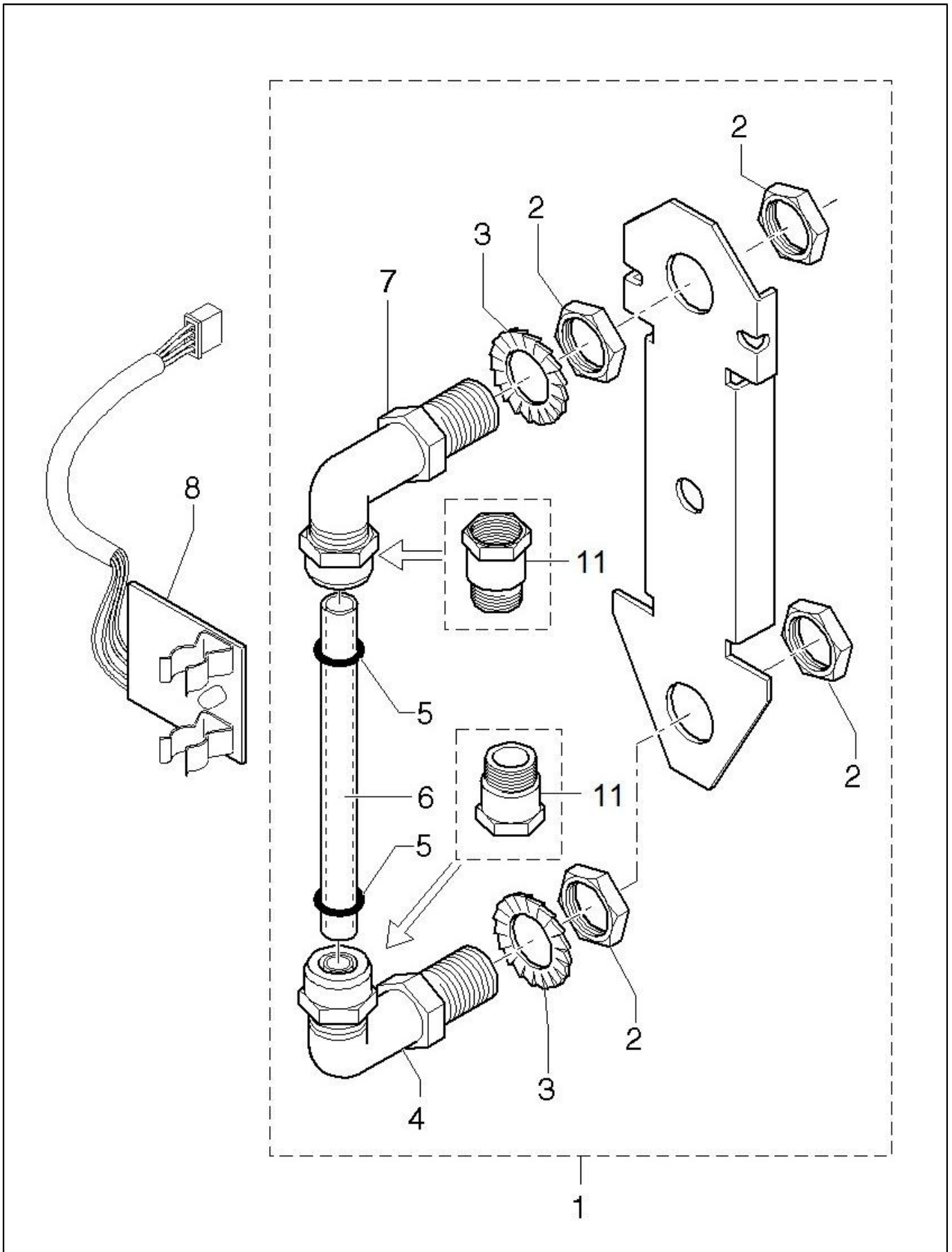
POS.	CODE	DESCRIPTION	QTY	START DATE	END DATE	NOTES
1	10049014	Neoperl mixing nozzle G 3/8	1			
2	36930016	GASKET	1			
3	39110038	Spring	1			
4	36220009	Joint	1			
5	20200112	Hot Water connector NSF	1			
6	37431600	OUTER TOOTHED Washer D16	1			
7	26220005	Flat Nut 3/8	1			
8	23000158	EXTENSION TAP C9	1			



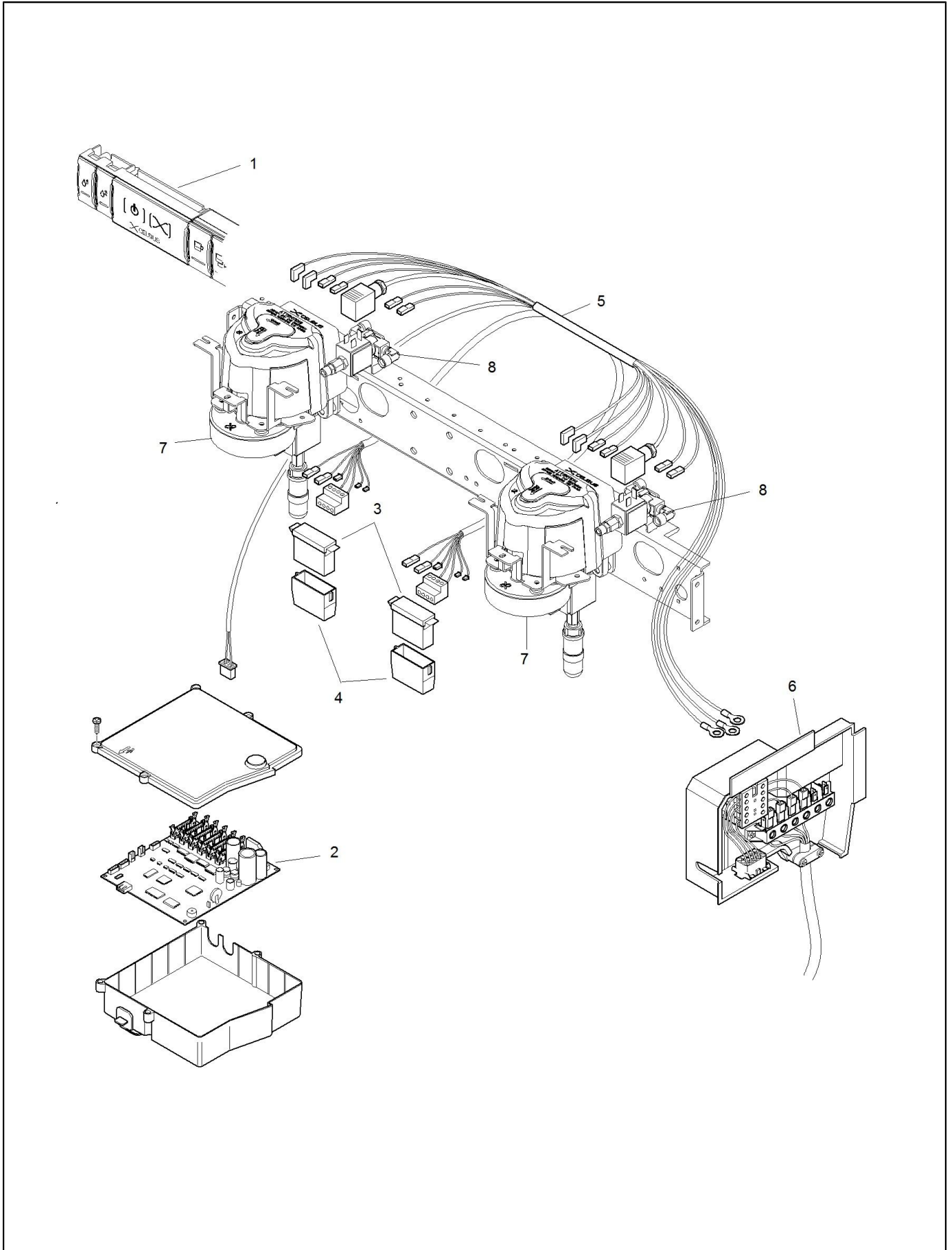
POS.	CODE	DESCRIPTION	QTY	START DATE	END DATE	NOTES
1	10706034	STEAM PIPE+JOINT LG.25 INOX	1			CLASSE 9
2	23000121	SPRAYER LG25 D1.1	1			
	25111006	Steam nozzle	1			
3	36404022	O-ring seal	1			
4	10049112	STEAM PIPE INOX LG 25	1			CLASSE 9
5	36990004	Rubber for Steam PIPES	1			
7	36930017	Joint	1			
8	36930016	GASKET	1			
9	39110038	Spring	1			
10	36220009	Joint	1			
11	10060104	FAST STEAM COCK SX + A.V.VALVE	1			
12	10060181	HANDLE CLEVER	1			
13	10060106	FAST STEAM COCK DX + A.V.VALVE	1			
16	10705180	KIT AV VALVE STEAM TAP	1			
19	36301105	STEAM COCK NUT GASKET	1			
20	23000003	DISK BLOC NUT GR. CL 10/RE	1			
24	37510700	ELASTIC RING D.7	1			
25	36230001	Teflon Washer	1			
26	32239044	NEW Steam COCK Washer	1			
27	20112601	CAMS SX STEAM COCK	1			
	20112603	CAMS DX STEAM COCK	1			
28	23000047	COCK ROD BUSH	1			
29	36402003	GASKET OR 2037	1			
30	25132003	Spring GUIDE for NEW COCK	1			
31	39110035	Water-Steam COCK Spring	1			
32	10060002	ROD+Nut AND Steam COCK GASKET	1			
33	10060001	NUT+STEAM COCK GASKET	1			
34	27400001	BUSH Gasket	1			
35	10705014	STEAM COCK BODY+VALVE A.VV	1			
36	39110036	SPRING STEAM COCK	1			
37	25128015	WAND EXTENTION INOX	1			
39	10060005	NUT STEAM COCK	1			



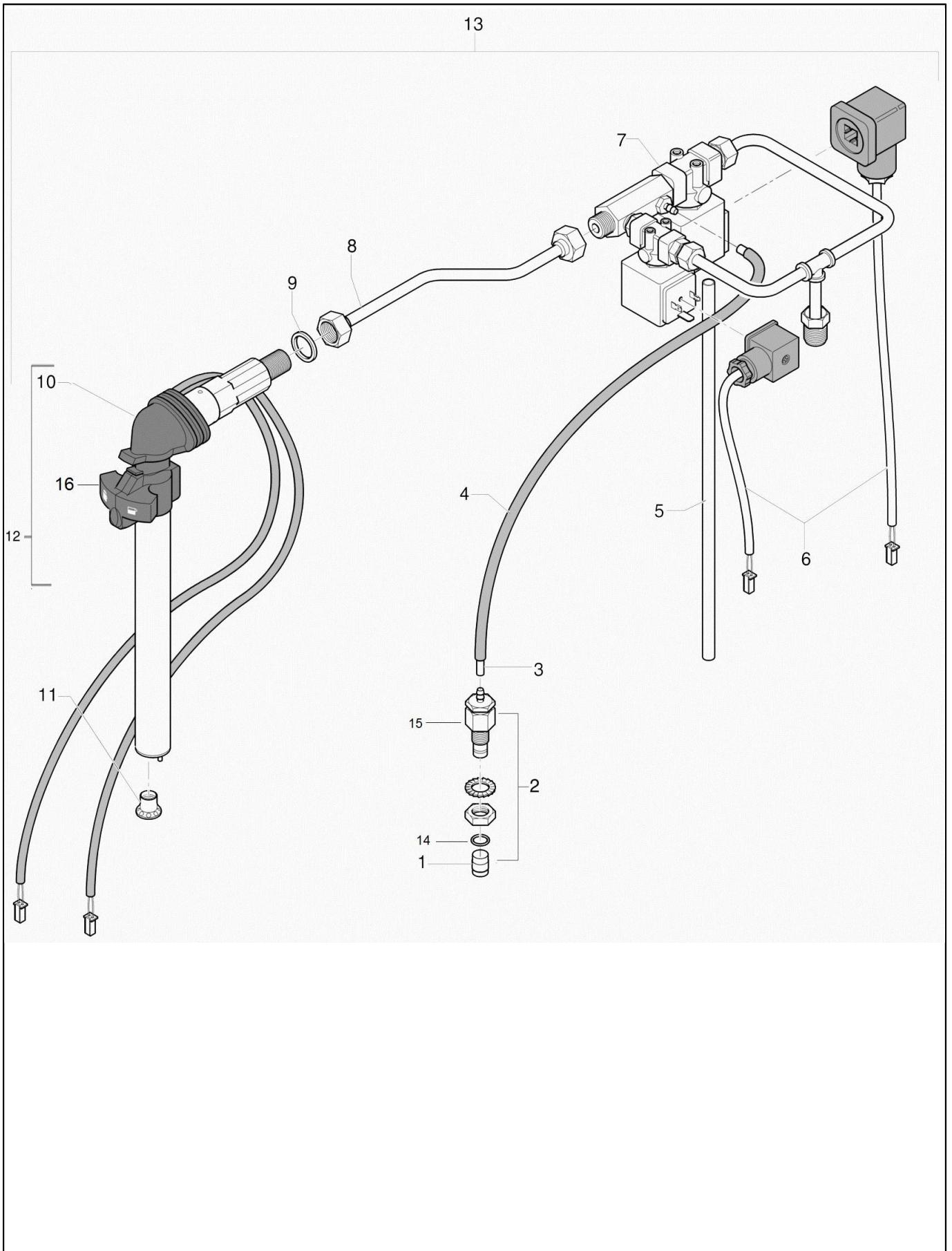
POS.	CODE	DESCRIPTION	QTY	START DATE	END DATE	NOTES
1	69200102	elbow connector g 1/8 pipe d. 8	1			
2	10705440	ELV PROFILING C9 X-CELS ASSY. L JOINT	1			
	10705444	ELV PROFILING C9 X-CELSIUS TALL ASSY. L JOINT	1			
3	10705419	FLOWMETER ASSY. C9 X-CELSIUS	1			
4	69200104	T connector 3 ways pipe d. 8	1			
5	10700285	pipe grouphead profiling xcelsius (Short)	1			
6	10700286	pipe grouphead profiling xcelsius (long)	1			
7	10700287	pipe grouphead heating exch. Xcelsius	1			
8	10700288	pipe profiling T right xcelsius	1			
	10700298	pipe profiling T right xcelsius tall	1			
9	10700289	pipe profiling T left xcelsius	1			
	10700297	pipe profiling T left xcelsius tall	1			
10	10700290	pipe T flowmeter right xcelsius	1			
	10700294	pipe T flowmeter right xcelsius tall	1			
11	10700291	pipe T flowmeter left xcelsius	1			
	10700295	pipe T flowmeter left xcelsius tall	1			
12	10700292	pipe T heating exch. Right xcelsius	1			
13	10700293	pipe T heating exch. left xcelsius	1			
14	69200103	GOMITO G1/8 PER TUBO D.6	1			



POS.	CODE	DESCRIPTION	QTY	START DATE	END DATE	NOTES
1	10060381	LEVEL INDICATOR C9	1			
2	26220005	Flat Nut 3/8	1			
3	37430600	Tooth lock Washer D. 6	1			
4	20121103	Junction for Level	1			
5	36402003	GASKET OR 2037	1			
6	38228066	TEFLON PIPE D.10X8X107,5	1			
7	23222035	LONG JUNCTION 3/8	1			
8	34070211	Level Board	1			



POS.	CODE	DESCRIPTION	QTY	START DATE	END DATE	NOTES
1	10705687	X-CELSIUS CONTROL BOTTON/WATER BOTTON	1			
2	10700983	KIT CPU BOARD C9 USB/X-CELSIUS	1			
3	10110383	ELECTRIC BOX GR. X-CELSIUS	1			
4	36990031	SPRAY PROTECTION COVER X-CELSIUS	1			
5	10110681	X-CELSIUS WIRING 2GR	1			
	10110682	X-CELSIUS WIRING 3GR	1			
6	10110359	ELECTRIC BOX 230V	1			
7	10051184	XCELSIUS GROUP HEAD	1			
8	10705440	ELV PROFILING C9 X-CELS ASSY. L JOINT	1			
	10705444	ELV PROFILING C9 X-CELSIUS TALL ASSY. L JOINT	1			



POS.	CODE	DESCRIPTION	QTY	START DATE	END DATE	NOTES
1	23000092	Flow limiter D. 0,25 mm	1			
	23000093	Flow limiter D. 0,35 mm	1			
	23000192	JET ISTEAM YOUSTEAM D. 0,15	1			
2	10705320	AIR INPUT VALVE	1			
3	38228016	SILICON PIPE D5X3	1			
4	34209124	SHEATH PLAITED POLIESTER UL94	1			
5	38228002	Silicone hose D. 9 x 6mmL = 560 mm	1			
6	10110420	Wiring GROUP/Water EV.	1			
7	10705575	ASSEMBLY ELETTR. -VENTURI ISTEAM	1			
8	10043067	PIPE 8X6X210 F3/8-F3/8 2-3-4GR.	1			
9	23000091	DISTANCE STEAM TAP BODY ISTEAM	1			
10	36990017	STEAM SHROUD ISTEAM	1			
11	23000098T	ISTEAM SPRAYER	1			
12	10705350	KIT ISTEAM LONG	1			
13	10705980	KIT ISTEAM CLASSE 9	1			
14	36404013	Gasket OR 2031	1			
15	36230017	Duckbill	1			
16	10705359	ISTEAM PANEL	1			

Code	No. table	Pos.
00100300.001	2006	13
10022320N	2003	7
10022330N	2003	7
10041042	2003	6
10042022	2002	4
10042052	2002	12
10042054	2002	12
10042117	2002	13
10042127	2002	8
10043007	2002	40
10043007	2003	14
10043028	2002	24
10043033	2002	22
10043036	2002	23
10043039	2002	26
10043044	2002	3
10043046	2002	14
10043067	2002	15
10043067	4000	8
10043102	2002	5
10046014	2002	11
10046029	2002	11
10049014	2007	1
10049112	2008	4
10051184	2006	9
10051184	3002	7
10060001	2008	33
10060002	2008	32
10060005	2008	39
10060059	2002	27
10060104	2008	11
10060106	2008	13
10060181	2008	12
10060381	2010	1
10060466	2002	35
10060479	2002	9
10060525	2002	1
10060604	2006	11
10090002	1003	8
10090002	2006	15
10110359	3002	6
10110383	3002	3
10110402	2002	34
10110420	4000	6
10110445	2002	34
10110681	3002	5
10110682	3002	5
10700276	1000	1
10700277	1000	1
10700278	1000	1
10700285	2009	5
10700286	2009	6
10700287	2009	7
10700288	2009	8
10700289	2009	9
10700290	2009	10
10700291	2009	11
10700292	2009	12
10700293	2009	13
10700294	2009	10
10700295	2009	11
10700297	2009	9
10700298	2009	8
10700937	2006	2
10700940	1000	24
10700983	3002	2
10705014	2008	35

Code	No. table	Pos.
10705180	2008	16
10705320	4000	2
10705350	4000	12
10705359	4000	16
10705419	2002	20
10705419	2009	3
10705440	2009	2
10705440	3002	8
10705444	2009	2
10705444	3002	8
10705539	2006	1
10705575	4000	7
10705687	3002	1
10705696	1000	10
10705697	1000	11
10705933	2002	21
10705960	2003	2
10705980	4000	13
10706034	2008	1
10706068	2002	7
10706083	2002	6
10781163	1003	7
10905015	1000	7
10905016	1000	8
20112601	2008	27
20112603	2008	27
20121103	2010	4
20123001	2002	28
20200112	2007	5
20200181N	2006	5
23000003	2008	20
23000042	1003	2
23000047	2008	28
23000091	4000	9
23000092	4000	1
23000093	4000	1
23000098T	4000	11
23000121	2008	2
23000158	2002	42
23000158	2007	8
23000163	2002	16
23000192	4000	1
23222035	2010	7
25111006	2008	2
25128015	2008	37
25132003	2008	30
25139001	2006	6
26220005	2007	7
26220005	2010	2
27120130	2002	2
27400001	2008	34
32239044	2008	26
32330971	1000	3
32330972	1000	4
32330973	1000	28
32331702	1000	14
32331703	1000	14
32331704	1000	14
32331706	1000	15
32331707	1000	15
32331708	1000	15
32331710	1000	13
32331711	1000	13
32331712	1000	13
32331714	1000	12
32331715	1000	12
32331716	1000	12

Code	No. table	Pos.
32331718	1003	4
32331719	1003	4
32331720	1003	4
32331722	1003	5
32331723	1003	5
32331724	1003	5
32331726	1000	5
32331727	1000	5
32331728	1000	5
32331730	1000	6
32331731	1000	6
32331732	1000	6
32331736	1000	16
32331737	1000	16
32331738	1000	16
33122002	1000	2
33122003	1000	2
33122004	1000	2
33323430	2003	8
33323540	2003	8
34011009	2003	1
34011102	2003	1
34020020	2003	15
34040024	2006	8
34070078	2006	12
34070211	2010	8
34200288	2002	25
34209124	4000	4
35002508	2003	12
35002509	2003	13
36220009	2007	4
36220009	2008	10
36230001	2008	25
36230017	4000	15
36240002	2003	16
36301034	2006	4
36301105	2008	19
36402003	2006	10
36402003	2008	29
36402003	2010	5
36402005	2006	14
36404013	4000	14
36404022	2008	3
36404026	1003	3
36404050	2006	3
36930012	2003	9
36930016	2007	2
36930016	2008	8
36930017	2008	7
36990004	2008	5
36990017	4000	10
36990031	3002	4
37030408	1003	10
37030509	1000	29
37030518	2006	16
37040821	2003	10
37154212	1000	30
37154212	1003	9
37430600	2010	3
37431600	2007	6
37510700	2008	24
37521000	1003	6
38120501	1000	17
38120502	1000	18
38120503	1000	19
38120507	1003	1
38120511	1000	25

Code	No. table	Pos.
38123568	1000	22
38123665	2003	11
38123666	1000	20
38123852	1000	27
38123856	1000	21
38123921	1000	23
38123946	2002	37
38123947	2002	36
38228002	2002	10
38228002	4000	5
38228003	2002	38
38228016	4000	3
38228066	2010	6
39110035	2008	31
39110036	2008	36
39110038	2007	3
39110038	2008	9
40200005	2006	7
42200123	1000	26
45010240	1000	9
69000243	2003	5
69000269	2003	2
69000722	2003	4
69000724	2003	4
69000725	2003	4
69000734	2003	3
69000735	2003	3
69200102	2009	1
69200103	2009	14
69200104	2009	4



Headquarters, Production Plant and R&D Centers Worldwide Branch Locations

Rancilio Group s.p.a.
Viale della Repubblica 40
20010 Villastanza di Parabiago
Milano Italy
Tel +39 0331 408200
Fax +39 0331 551437
www.ranciliogroup.com
info@ranciliogroup.com

Egro Suisse AG
Bahnhofstrasse 66
5605 Dottikon, Switzerland
Tel. +41 (0)56 616 95 95
Fax +41 (0)56 616 95 97
www.egrocoffee.com
info@egrocoffee.com

SPAIN

RancilioGroup Espana, s.a.
Gran Via de Carlos III, 84 3ª
Edificio Trade
08028 Barcelona Spain
Tel. +34 902 884 275
Tel. +34 934 923 414
Fax +34 93 496 57 01
www.ranciliogroup.com
info-es@ranciliogroup.com

PORTUGAL

Rancilio Group Portugal Lda
Estrada da Falagueira nº 68 E
2700-365 Amadora-Lisboa Portugal
Tel. +35 121 019 1091
Fax +35 121 019 1091
www.ranciliogroup.com
info-pt@ranciliogroup.com

GERMANY

Rancilio Group Deutschland GmbH
Talstrasse 27
D-97990 Weikersheim
Ph. +49 7934 99 29 30
Fax +49 7934 99 29 330
www.egro-deutschland.de
info-de@ranciliogroup.com

SWITZERLAND

Egro Suisse AG
Bahnhofstrasse 66
5605 Dottikon, Switzerland
Tel. +41 (0)56 616 95 95
Fax +41 (0)56 616 95 97
www.egrosuisse.ch
info@egrosuisse.ch

USA/CANADA

RancilioGroup North America Inc.
1340 Internationale Parkway / Suite 200
Woodridge, IL 60517 USA
Ph: +1 630 914-7900
Fax: +1 630 914 7901
Toll Free: +1 877 726 2454
www.ranciliogroup.com
info@ranciliogroupna.com

Sales Representative Office

ASIA

Asian Market Access HK Ltd
601 Tak Woo House
17-19 D'aguilar Street Central
Hong Kong
Ph. +852 2521 7839
Fax +852 2521 5787
www.ranciliogroup.com

