

## All Our Breaders Are Available With An Optional Back Splash!

Our new sifter basket has been redesigned for greater durability, easier cleaning, and quieter operation!



Shown With Optional Back Splash and Racks

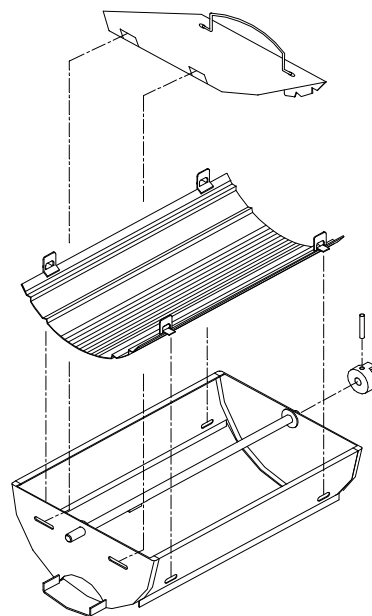


Shown With Optional Overshelf

### FEATURES:

- ➔ **Spring Loaded Sifter Screen Is Quickly and Easily Removed.**
- ➔ **Isolator Pads Between Cabinet and Table Reduce Vibration.**
- ➔ **Durable Stainless Steel Couplings.**
- ➔ **Patented Sifter Sifts 25 Pounds of Flour per Minute.**
- ➔ **Available Back Splash for Extra Storage and Convenience**

## New Three Year Warranty



#### ORDER FROM:

**Quality Industries**  
130 Jones Boulevard  
LaVergne, TN 37086

**Call: (615) 793-3000**  
(800) 745-8613  
**Fax: (615) 793-3381**



# Breaders

**OPTIONS:**

<u>Item Number</u>	<u>Item Description</u>		
202408	Improved Sifter Basket		
	Cube Size: 19"W x 25"L x 11"H	Cube Weight:	18 Lbs.
FMB00KITA	Breader Noise/Vibration Reduction Kit		
	Cube Size: 6"W x 9"L x 4"H	Cube Weight:	7 Lbs.
FMB00S	Replacement Sifter Cabinet 115V, 60 Hertz, 1/4 HP, 5.1 Amps <i>No Accessories</i>		
	Cube Size: 20"W x 48"L x 19"H	Cube Weight:	120 Lbs.
FMB48S	30"W x 48"L Table With Breading Lug on Left Side of Table With Sifter Cabinet 115V, 60 Hertz, 1/4 HP, 5.1 Amps <i>No Accessories</i>		
	Cube Size: 34"W x 48"L x 45"H	Cube Weight:	250 Lbs.
FMB48S112	230V, 50/60 Hertz, 1/3 HP, 3.2 Amps Version of the FMB48S <i>No Accessories</i>		
	Cube Size: 34"W x 48"L x 45"H	Cube Weight:	250 Lbs.
FMB48R	30"W x 48"L Table With Breading Lug on Right Side Of Table With Sifter Cabinet 115V, 60 Hertz, 1/4 HP, 5.1 Amps <i>No Accessories</i>		
	Cube Size: 34"W x 48"L x 45"H	Cube Weight:	250 Lbs.
FMB72S	30"W x 72"L Table With Undershelf, Breading Lug On Left Side of Table with Sifter Cabinet 115V, 60 Hertz, 1/4 HP, 5.1 Amps <i>No Accessories</i>		
	Cube Size: 34"W x 76"L x 45"H	Cube Weight:	260 Lbs.
FMBDBS	42"W x 60"L Table With Two Sifter Cabinets Wired Together Into One Plug 115V, 60 Hertz, 1/4 HP, 5.1 Amps (Per Cabinet, Total of 10.2 Amps) <i>No Accessories</i>		
	Cube Size: 46"W x 64"L x 45"H	Cube Weight:	450 Lbs.
FMB00D	Two Sifter Cabinets Wired Together Into One Plug As Replacement Cabinet for E30110801 115V, 60 Hertz, 1/4 HP, 5.1 Amps (Per Cabinet, Total of 10.2 Amps) <i>No Accessories</i>		
	Cube Size: 40"W x 48"L x 19"H	Cube Weight:	240 Lbs.

**ACCESSORIES:**

<u>Item Number</u>	<u>Description</u>	<u>Item Number</u>	<u>Description</u>
900226	Breeding Lug Cover	LUG201838	Breeding Lug with Center Hole
900227	Breeding Lug	LUG201839	Breeding Lug with Offset Hole
900229	Insert Cover	201035	Overshelf for Double Breader
900230	Stainless Steel Insert	202450-4800	Back Splash for 48" L Breader
900788	Rubber Plug		with Racks
910116	Dip Basket	202450-7200	Back Splash for 72" L Breader
			with Racks

**ORDER FROM:**

**Quality Industries**  
130 Jones Boulevard  
LaVergne, TN 37086

**Call: (615) 793-3000**  
(800) 745-8613  
Fax: (615) 793-3381