

# Despiece / Spare Parts

# FUTURMAT F3



**QUALITY ESPRESSO**  
*Capture the Essence*

La empresa se reserva a modificar el contenido de este despiece sin previo aviso.  
The manufacturer reserves the right to modify the content of this spare parts list without notice.

09/2019

# Listado de Máquinas

## Machine List

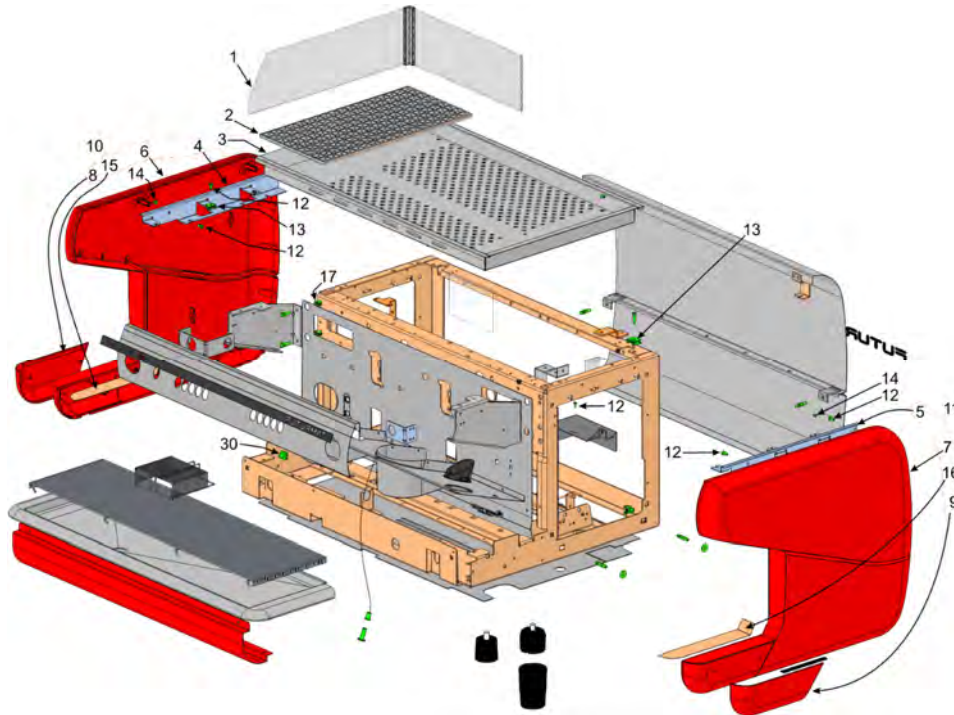
Este despiece se ha creado para las siguientes máquinas (orden alfabético):  
*This Spare Parts List is created for the following machines (alphabetical order):*

- MFS081
- MFS081N
- MFS082
- MFS082D
- MFS082HG
- MFS082I
- MFS082IC30
- MFS082IC35
- MFS082N
- MFS082NG
- MFS082NI
- MFS082R
- MFS082RI
- MFS082Y
- MFS082YG
- MFS082YI
- MFS083
- MFS083D
- MFS083HG
- MFS083I
- MFS083IC30
- MFS083IC35
- MFS083N
- MFS083NG
- MFS083NI
- MFS083NIC35
- MFS083R
- MFS083Y
- MFS083YG
- MFS083YI
- MFS084
- MFS084N
- MFS091
- MFS091D
- MFS091H
- MFS091N
- MFS091R
- MFS091Y
- MFS092
- MFS0926H
- MFS0926HF
- MFS0926HWT
- MFS0926N
- MFS0926NC65
- MFS0926NW
- MFS0926R
- MFS092C19
- MFS092C26
- MFS092C28
- MFS092C31
- MFS092C9
- MFS092C99
- MFS092D
- MFS092DW
- MFS092H
- MFS092HIF
- MFS092HT
- MFS092HTW
- MFS092HTWSC4
- MFS092HW
- MFS092HWC43
- MFS092HWI
- MFS092HWT
- MFS092I
- MFS092L
- MFS092N
- MFS092NC22
- MFS092NC28
- MFS092NF
- MFS092NI
- MFS092NIC35
- MFS092NQ
- MFS092NT
- MFS092NTW
- MFS092NTWSC4
- MFS092NTWT
- MFS092NW
- MFS092NWC22
- MFS092NWC70
- MFS092NWI
- MFS092NWIISC41
- MFS092NWSC41
- MFS092NWT
- MFS092R
- MFS092RC19
- MFS092RF
- MFS092RI
- MFS092RT
- MFS092RTW
- MFS092RTWS
- MFS092RTWST
- MFS092RTWT
- MFS092RTWTC41
- MFS092RTWTS
- MFS092RW
- MFS092RWI
- MFS092RWSC41
- MFS092RWT
- MFS092RWTS
- MFS092T
- MFS092VC71
- MFS092VC72
- MFS092W
- MFS092WC24
- MFS092WC28
- MFS092WC31
- MFS092WI
- MFS092WS
- MFS092WSC41
- MFS092WST
- MFS092WSTC41
- MFS092WT
- MFS092Y
- MFS092YC56
- MFS092YI
- MFS092YT
- MFS092YTC49
- MFS092YTFC49
- MFS092YTW
- MFS092YTC49
- MFS092YTFC49
- MFS092YTW
- MFS092YTWSC4
- MFS092YWI
- MFS092YWSC41
- MFS092YWT
- MFS093
- MFS093C19
- MFS093C26
- MFS093C28
- MFS093C28C
- MFS093C31
- MFS093C9
- MFS093C99
- MFS093D
- MFS093DW
- MFS093H
- MFS093HC74
- MFS093HI
- MFS093HTWSC4
- MFS093HTWTS
- MFS093HW
- MFS093HWSC41
- MFS093I
- MFS093L
- MFS093N
- MFS093NC28
- MFS093NC74
- MFS093NF
- MFS093NI
- MFS093NIC35
- MFS093NQ
- MFS093NTW
- MFS093NTWSC4
- MFS093NTWT
- MFS093NTWTS
- MFS093NW
- MFS093NWC70
- MFS093NWI
- MFS093NWSC71
- MFS093NWT
- MFS093R
- MFS093RC19
- MFS093RI
- MFS093RW
- MFS093RWSC41
- MFS093RWT
- MFS093RWTS
- MFS093T
- MFS093VC71
- MFS093VC72
- MFS093W
- MFS093WC24
- MFS093WC28
- MFS093WC31
- MFS093WIMFS093WS
- MFS093WSC41
- MFS093WST
- MFS093WSTC41
- MFS093WT
- MFS093WTS
- MFS093Y
- MFS093YC56
- MFS093YF
- MFS093YI
- MFS093YT
- MFS093YTW
- MFS093YW
- MFS093YWI
- MFS093YWSC41
- MFS094
- MFS094D
- MFS094N
- MFS094NWSC41
- MFS094R
- MFS094WSC41
- MFS094Y
- MFS094YWSC41
- MFS191
- MFS191Q
- MFS1912
- MFS1912NQ
- MFS291Q
- MFS292C33
- MFS292HWTQ
- MFS292NIQC35
- MFS292NQ
- MFS292NTQ
- MFS292NWC70
- MFS292NWSQC4
- MFS292NWTQ
- MFS292NWTSCQ
- MFS292Q
- MFS292RWQ
- MFS292RWQC78
- MFS292YQ
- MFS292YTWSCQ41
- MFS292YWC78
- MFS293C33
- MFS293HWTQ
- MFS293NIQC35
- MFS293NQ
- MFS293NTQ
- MFS293NWC70
- MFS293NWQ
- MFS293Q
- MFS293RQ
- MFS293RTWQ
- MFS293RWQ
- MFS293YQ
- MFS392C33
- MFS393C33

Para referencias de piezas personalizadas, contactar con el Servicio de Asistencia Técnica.  
*For personalized parts references please contact with Technical Service.*

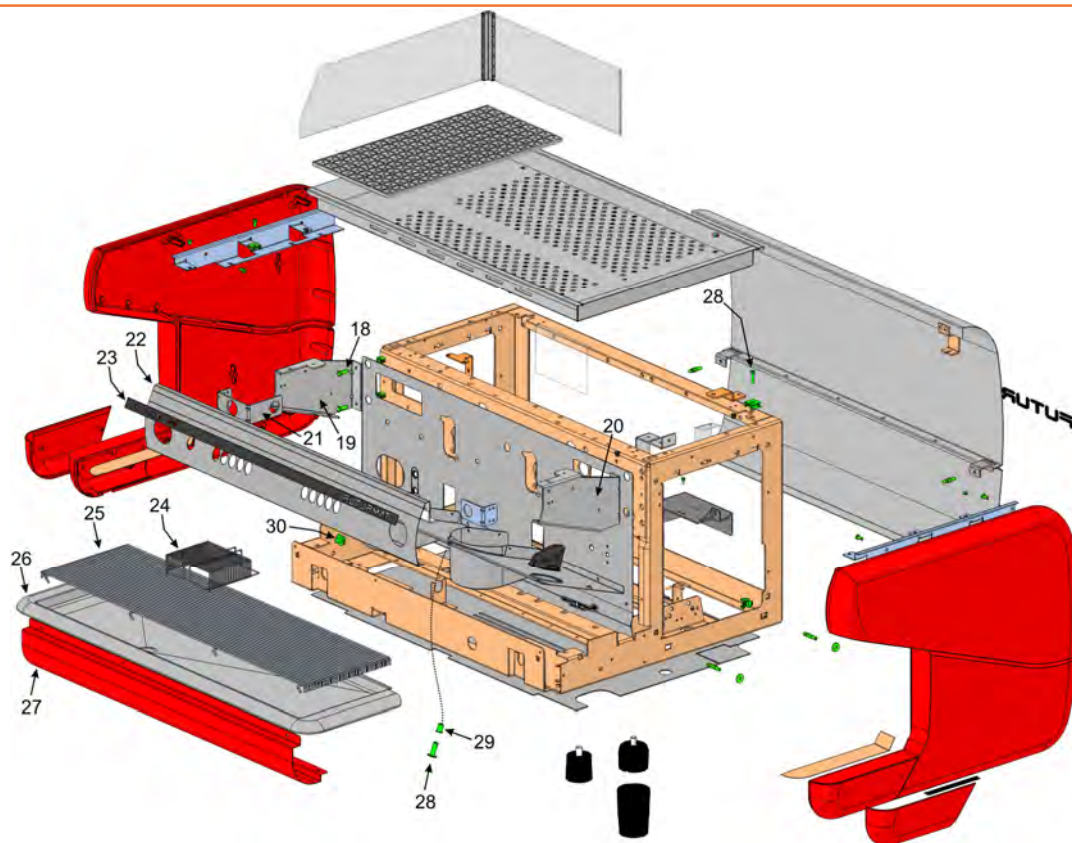
|         |  |
|---------|--|
| PAG. 4  | Carrocería (1/3)<br><i>Machine Bodywork (1/3)</i>                                      |
| PAG. 5  | Carrocería (2/3)<br><i>Machine Bodywork (2/3)</i>                                      |
| PAG. 6  | Carrocería (3/3)<br><i>Machine Bodywork (3/3)</i>                                      |
| PAG. 7  | Sistema Hidráulico (1/2)<br><i>Hydraulic System (1/2)</i>                              |
| PAG. 8  | Sistema Hidráulico (2/2)<br><i>Hydraulic System (2/2)</i>                              |
| PAG. 9  | Caldera y Bomba (1/2)<br><i>Boiler &amp; Pump (1/2)</i>                                |
| PAG. 10 | Caldera y Bomba (2/2)<br><i>Boiler &amp; Pump (2/2)</i>                                |
| PAG. 11 | Válvulas Expansión y Colector<br><i>Relief Valves &amp; Hydraulic Manifold</i>         |
| PAG. 12 | Bandeja Calientatazas (*SM)<br><i>Cup Heater Tray (*ATM)</i>                           |
| PAG. 13 | Grupo (1/2)<br><i>Group Head (1/2)</i>   |
| PAG. 14 | Grupo (2/2)<br><i>Group Head (2/2)</i>   |
| PAG. 15 | Grifería y Mezclador de Agua (*SM)<br><i>Water Tap &amp; Mixer (*ATM)</i>              |
| PAG. 16 | Grifería de Vapor (Sistema Leva)<br><i>Steam Taps (Pawl System)</i>                    |
| PAG. 17 | Grifería de Vapor (Sistema Antiguo)<br><i>Steam Taps (Old System)</i>                  |
| PAG. 18 | Cjto Sonda Vapor Automática (*SM)<br><i>Automatic Steam Tap (*ATM)</i>                 |
| PAG. 19 | Conjunto Gas (1/2) (*SM)<br><i>Gas Assembly (1/2) (*ATM)</i>                           |
| PAG. 20 | Conjunto Gas (2/2) (*SM)<br><i>Gas Assembly (2/2) (*ATM)</i>                           |
| PAG. 21 | Componentes Eléctricos (1/3)<br><i>Electric Components (1/3)</i>                       |
| PAG. 22 | Componentes Eléctricos (2/3)<br><i>Electric Components (2/3)</i>                       |
| PAG. 23 | Componentes Eléctricos (3/3)<br><i>Electric Components (3/3)</i>                       |
| PAG. 24 | Unidades Electrónicas y Cableado Eléctrico<br><i>Mainboards &amp; Electric Cabling</i> |
| PAG. 25 | Accesorios<br><i>Extre Kits</i>  |
| PAG. 26 | Dotaciones<br><i>Accesorios</i>  |

## Carrocería (1/3) Machine Bodywork (1/3)



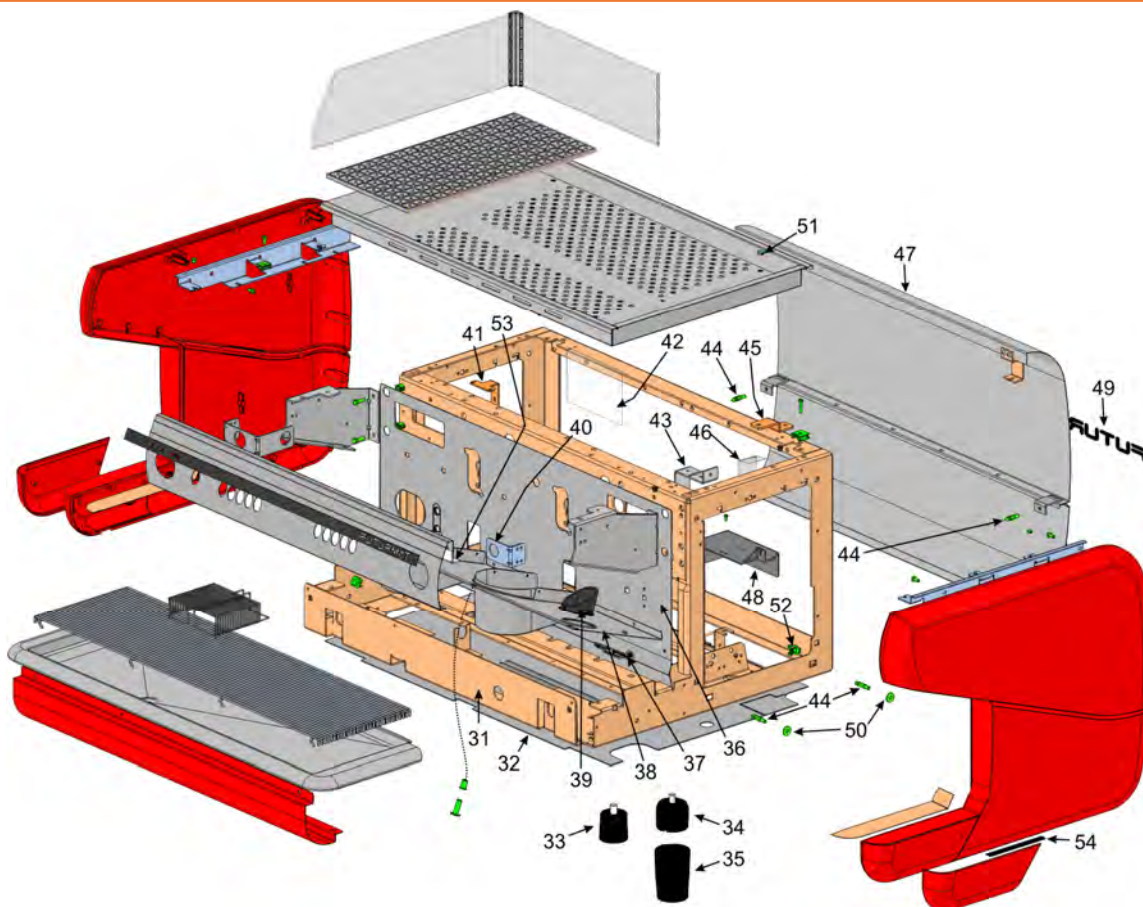
| Pos | DENOMINACION                         | DESCRIPTION                      | 1GR        | 2GR         | 3GR        | 4GR      |
|-----|--------------------------------------|----------------------------------|------------|-------------|------------|----------|
| 1   | Cjto Barandillas                     | Rail Assy                        | NT0021     | NT0018      | NT0019     | 08516500 |
| 2   | Rejilla Moplen 365 x 233 mm          | 365 x 233 mm Moplen Grating      | 2x08437700 | X           | X          | X        |
| 2   | Rejilla Moplen 365 x 315,5 mm        | 365 x 315,5 mm Moplen Grating    | X          |             | 2x08437800 |          |
| 2   | Rejilla Moplen 365 x 167 mm          | 365 x 167 mm Moplen Grating      | X          | X           | 08437900   | X        |
| 2   | Rejilla Moplen 365 x 101 mm          | 365 x 101 mm Moplen Grating      | X          | X           | X          | 08438000 |
| 3   | Bandeja Apoyatazas                   | Cup Tray                         | 08334000   | 08334100    | 08334200   | 08334300 |
| 3   | Bandeja Apoyatazas (UL)              | Cup Tray (UL)                    | 08334010   | 08334110    | 08334210   | 08334310 |
| 4   | Tirante Lateral Izquierdo            | Left Lateral Support             |            | 08339300    |            |          |
| 5   | Tirante Lateral Derecho              | Right Lateral Support            |            | 08339200    |            |          |
| 6   | Lateral Izquierdo Rojo               | Left Red Lateral                 |            | 08507410    |            |          |
| 6   | Lateral Izquierdo Negro              | Left Black Lateral               |            | 08507400    |            |          |
| 6   | Lateral Izquierdo Cava Brillante     | Left Shiny Golden Lateral        |            | 08507420    |            |          |
| 6   | Lateral Izquierdo Blanco             | Left White Lateral               |            | 08507430    |            |          |
| 6   | Lateral Izquierdo Dorado             | Left Golden Lateral              |            | 08326900    |            |          |
| 7   | Lateral Derecho Rojo                 | Right Red Lateral                |            | 08507310    |            |          |
| 7   | Lateral Derecho Negro                | Right Black Lateral              |            | 08507300    |            |          |
| 7   | Lateral Derecho Cava Brillante       | Right Shiny Golden Lateral       |            | 08507320    |            |          |
| 7   | Lateral Derecho Blanco               | Right White Lateral              |            | 08507330    |            |          |
| 7   | Lateral Derecho Dorado               | Right Golden Lateral             |            | 08326800    |            |          |
| 8   | Protector Lateral Izquierdo Rojo     | Left Red Lateral Protector       |            | 08505840    |            |          |
| 8   | Protector Lateral Izquierdo Negro    | Left Black Lateral Protector     |            | 08505850    |            |          |
| 8   | Protector Lateral Izquierdo Blanco   | Left White Lateral Protector     |            | 08505860    |            |          |
| 8   | Protector Lateral Izquierdo Dorado   | Left Golden Lateral Protector    |            | 08505800    |            |          |
| 9   | Protector Lateral Derecho Rojo       | Right Red Lateral Protector      |            | 08505740    |            |          |
| 9   | Protector Lateral Derecho Negro      | Right Black Lateral Protector    |            | 08505570    |            |          |
| 9   | Protector Lateral Derecho Blanco     | Right White Lateral Protector    |            | 08505760    |            |          |
| 9   | Protector Lateral Derecho Dorado     | Right Golden Lateral Protector   |            | 08505700    |            |          |
| 10  | Cjto Lateral Izquierdo Rojo          | Left Red Lateral Assy            |            | 08507010    |            |          |
| 10  | Cjto Lateral Izquierdo Negro         | Left Black Lateral Assy          |            | 08507000    |            |          |
| 10  | Cjto Lateral Izquierdo Blanco        | Left White Lateral Assy          |            | 08507030    |            |          |
| 10  | Cjto Lateral Izquierdo Dorado        | Left Golden Lateral Assy         |            | 08507020    |            |          |
| 11  | Cjto Lateral Derecho Rojo            | Right Red Lateral Assy           |            | 08506910    |            |          |
| 11  | Cjto Lateral Derecho Negro           | Right Black Lateral Assy         |            | 08506900    |            |          |
| 11  | Cjto Lateral Derecho Blanco          | Right White Lateral Assy         |            | 08506930    |            |          |
| 11  | Cjto Lateral Derecho Dorado          | Right Golden Lateral Assy        |            | 08506920    |            |          |
| 12  | Tornillo M4 DIN 7985                 | M4 DIN 7985 Screw                |            | 04591202    |            |          |
| 13  | Tuerca Rápida M4                     | M4 Nut                           |            | 05118500    |            |          |
| 14  | Tope Goma                            | Rubber Cap                       |            | 07509300    |            |          |
| 15  | Protector Interior Lateral Izquierdo | Left Lateral Interior Protector  |            | 08343700    |            |          |
| 16  | Protector Interior Lateral Derecho   | Right Lateral Interior Protector |            | 08343600    |            |          |
| 17  | Tuerca Enjaulada M5                  | M5 Nut                           |            | 0551/030136 |            |          |

## Carrocería (2/3) Machine Bodywork (2/3)



| Pos | DENOMINACION   | DESCRIPTION                                       | 1GR      | 2GR      | 3GR      | 4GR      |
|-----|--|---|----------|----------|----------|----------|
| 18  | Tornillo M5x15 DIN 933                               | M5x15 DIN 933 Screw                               |          |          | 04522405 |          |
| 19  | Soporte Lateral Grifos Izquierdo                     | Left Taps Lateral Support                         |          |          | 08332800 |          |
| 20  | Soporte Lateral Grifos Izquierdo                     | Left Taps Lateral Support                         |          |          | 08332900 |          |
| 21  | Soporte Grifos Izquierdo                             | Left Tap Support                                  |          |          | 08342010 |          |
| 22  | Perfil (Máquinas Electrónicas)                       | Front Control Panel (Electronic M.)               | 08330340 | 08330440 | 08330540 | 08330640 |
| 22  | Perfil (Máquina con Calientatazas)                   | Front Control Panel (with Cup Warmer)             | X        | 08330430 | 08330530 | X        |
| 22  | Perfil (Máq con Calientatazas) Brillante             | Shiny Front Control Panel (w/ Cup Warmer)         | X        | 08330460 | 08330560 | X        |
| 22  | Perfil (Máquina con Capuccino)                       | Front Control Panel (with Capuccino)              | X        | 08340420 | 08330520 | X        |
| 22  | Perfil (Máquina con Display)                         | Front Control Panel (with Display)                | X        | 08336600 | 08336700 | X        |
| 22  | Perfil (Máquina con Display) Brillante               | Shiny Front Control Panel (with Display)          | X        | 08336650 | 08336750 | X        |
| 22  | Perfil (Máquina con Sonda Vapor)                     | Front Control Panel (with Autosteam)              | X        | 08336680 | 08336780 | 08336880 |
| 22  | Perfil (Máq con Display y Calientatazas)pre 2017     | Front Control P.(w/Display & Cup Warmer) pre 2017 | X        | 08336630 | 08336730 | X        |
| 22  | Perfil (Máquina con Display y Capuccino)             | Front Control Panel (Display + Capuccino)         | X        | 08336620 | 08336720 | X        |
| 22  | Perfil (Máq con Display y Sonda Vapor)               | Front Control Panel (Display + Autosteam)         | X        | 08336640 | 08336740 | X        |
| 22  | Perfil (Máquina Semiautomática)                      | Front Control Panel (Semiautomatic M.)            | 08329300 | 08329400 | 08329500 | 08329600 |
| 22  | Perfil (Máquina Semiautomática) Brillante            | Shiny Front C.P. (Semiautomatic M.)               | 08329330 | 08329430 | 08329530 | 08329630 |
| 22  | Perfil (Máquina Semiaut. con Calientatazas pre 2017) | Front Control P. (Semiaut. + Cup Warmer) pre 2017 | X        | 08329420 | 08329520 | X        |
| 23  | Logotipo Perfil                                      | Front Control Panel Sticker                       | 08339800 | 08339900 | 08340000 | 08340100 |
| 23  | Logotipo Perfil (Máquinas Grouptronic®)              | Front C. P. Sticker (Grouptronic® M.)             | X        | 08339960 | 08340060 | X        |
| 24  | Suplemento Sobrebandeja (Máq. Altas)                 | Tray Cover Supplement (Tall Machines)             |          |          | 08439600 |          |
| 25  | Sobrebandeja   | Drain Tray Cover                                  | 08327700 | 08327800 | 08327900 | 08328000 |
| 26  | Bandeja Desagüe                                      | Drain Tray  | 08327000 | 08327100 | 08327200 | 08327300 |
| 27  | Faja Chasis Inox                                     | Front Inox Lower Panel                            | 08328500 | 08328600 | 08328700 | 08328800 |
| 27  | Faja Chasis Roja                                     | Front Red Lower Panel                             | 08328530 | 08328630 | 08328730 | 08328830 |
| 27  | Faja Chasis Negra                                    | Front Black Lower Panel                           | 08328520 | 08328620 | 08328720 | 08328820 |
| 27  | Faja Chasis Negra (Máquinas con Gas)                 | Front Black Lower Panel (Gas Machines)            | X        | 08614720 | 08614820 | X        |
| 27  | Faja Chasis Cava                                     | Front Golden Lower Panel                          | 08328540 | 08328640 | 08328740 | 08328840 |
| 27  | Faja Chasis Cava (Máquinas con Gas)                  | Front Golden Lower Panel (Gas Machines)           | X        | 08614700 | 08614800 | X        |
| 27  | Faja Chasis Blanca                                   | Front White Lower Panel                           | 08328550 | 08328650 | 08328750 | X        |
| 27  | Faja Chasis Blanca (Máquinas con Gas)                | Front White Lower Panel (Gas Machines)            | X        | 08614750 | 08614850 | X        |
| 28  | Tornillo M4x12                                       | M4x12 Screw                                       |          |          | 04596601 |          |
| 29  | Tuerca Nylon   | Nylon Nut   |          |          | 04595900 |          |
| 30  | Tope Carrocería                                      | Machine Bodywork Stop                             |          |          | 08334400 |          |

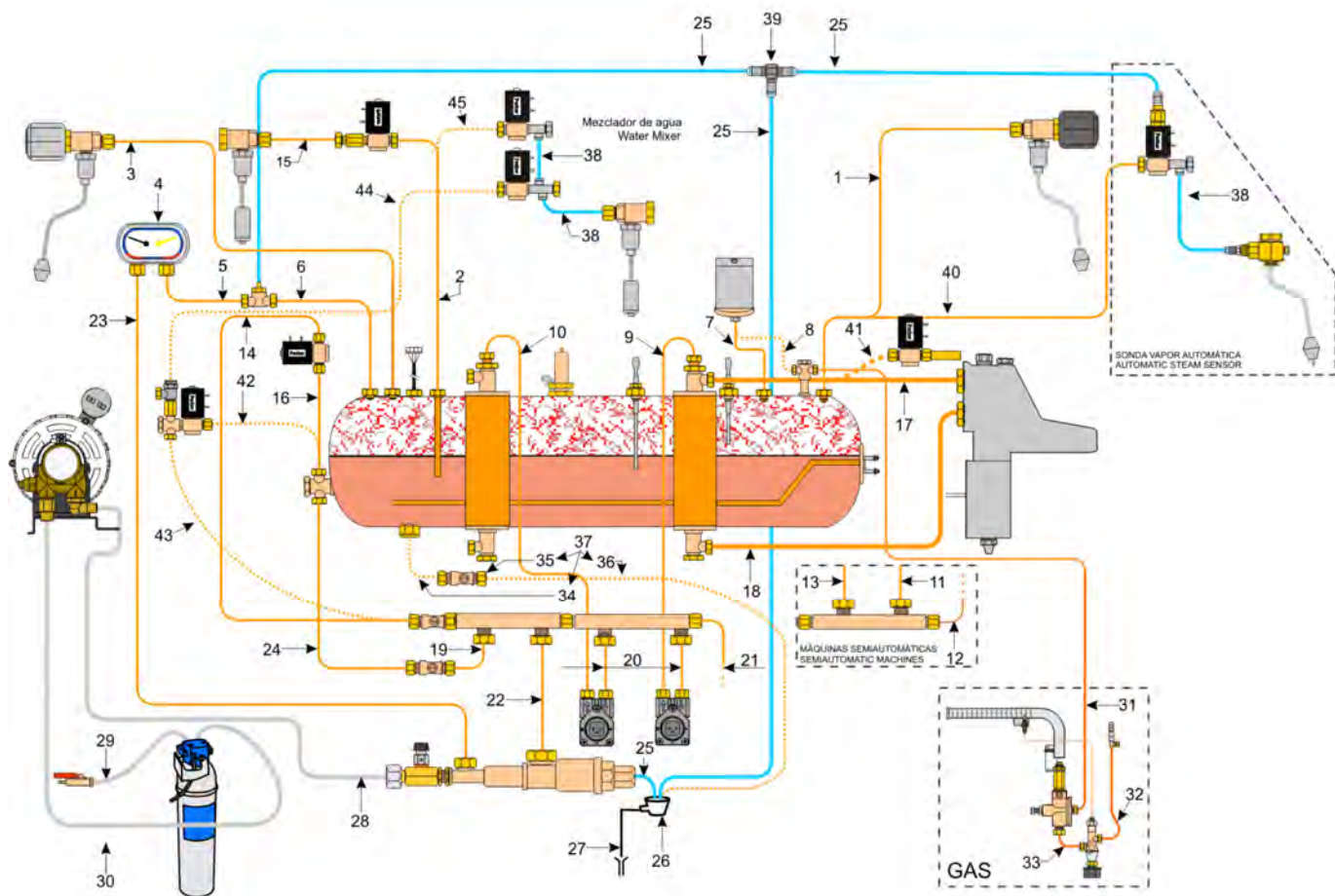
## Carrocería (3/3) Machine Bodywork (3/3)



| Pos | DENOMINACION                         | DESCRIPTION                             | 1GR      | 2GR      | 3GR      | 4GR      |
|-----|--------------------------------------|---|----------|----------|----------|----------|
| 31  | Chasis                               | Chassis                                 | 08300000 | 08300100 | 08300200 | 08300300 |
| 31  | Chasis (Máquinas Altas)              | Chassis (Tall Machines)                 | X        | 08460700 | 08460800 | 08460900 |
| 32  | Tapa Inferior (*SM)                  | Chassis Lower Cover (*ATM)              | 08606500 | 08606600 | 08606700 | X        |
| 32  | Tapa Inferior UL (*SM)               | Chassis Lower Cover UL (*SM)            | 08372700 | 08372800 | 08372900 | 08373000 |
| 33  | Pie de Apoyo                         | Machine Foot                            |          | 07468002 |          |          |
| 34  | Tapa Suplemento (*SM)                | Supplement Top (*ATM)                   |          | 08396300 |          |          |
| 35  | Pie Suplemento de 80 mm              | 80 mm Foot Supplement                   |          | 08396400 |          |          |
| 35  | Pie Suplemento de 105 mm             | 105 mm Foot Supplement                  |          | 08396500 |          |          |
| 36  | Panel                                | Front Panel                             | 08328140 | 08328240 | 08328340 | 08328440 |
| 36  | Panel (Máquinas Altas)               | Front Panel (Tall Machines)             | X        | 08328220 | 08328320 | X        |
| 36  | Panel Brillante (Máquinas Altas)     | Shiny Front Panel (Tall Machines)       |          | 08328250 | 08328350 | X        |
| 36  | Panel (Máquinas con Gas)             | Front Panel (Gas Machines)              | X        | 08619200 | 08619300 | X        |
| 37  | Adhesivo "Quality Espresso"          | "Quality Espresso" Sticker              |          | 08441900 |          |          |
| 38  | Cjto Protector Grupo                 | Group Head Protector                    | 08333220 | 08333320 | 08333420 | 08333520 |
| 38  | Cjto Protector Grupo (Máquina Alta)  | Group Head Protector (Tall Machines)    | X        | 08333330 | 08333430 | X        |
| 39  | Embellecedor Grifo                   | Taps Cover                              |          | 08358100 |          |          |
| 40  | Soporte Grifo Derecho                | Right Tap Support                       |          | 08342210 |          |          |
| 40  | Soporte Sonda Vapor Automática (*SM) | Autosteam Tap Support (*ATM)            |          | 08496600 |          |          |
| 41  | Soporte Manómetro                    | Pressure Gauge Support                  |          | 08339600 |          |          |
| 42  | Protector Antigoteo (*SM)            | Water Splatter Protector (*ATM)         |          | 08423500 |          |          |
| 43  | Soporte Termostato                   | Thermostat Support                      |          | 08196510 |          |          |
| 44  | Arpón L-27 (Lateral)                 | L-27 Spear (Lateral)                    |          | 08188230 |          |          |
| 44  | Arpón L-32 (Posterior)               | L-32 Spear (Back Bodywork)              |          | 08188220 |          |          |
| 45  | Soporte Bandeja                      | Upper Tray Support                      |          | 08388300 |          |          |
| 46  | Protector Antigoteo Lateral (*SM)    | Lateral Water Splatter Protector (*ATM) |          | 08388400 |          |          |
| 47  | Carrocería Trasera                   | Rear Machine Bodywork                   | 08334500 | 08334600 | 08334700 | 08334800 |
| 48  | Tapa Interruptor                     | Main Switch Cover                       |          | 08310300 |          |          |
| 49  | Adhesivo "Futurmat"                  | "Futurmat" Sticker                      |          | 08335300 |          |          |
| 50  | Arandela 5,3x15x1,4                  | 5,3x15x1,4 Washer                       |          | 07410012 |          |          |
| 51  | Tapón Bandeja                        | Upper Tray Cap                          |          | 08393100 |          |          |
| 52  | Clip Arpón                           | Spear Clamp                             |          | 08034310 |          |          |
| 53  | Soporte Perfil                       | Front Control Panel Support             |          | 08329700 |          |          |
| 54  | Adhesivo Lateral                     | Lateral Sticker                         |          | 08479300 |          |          |

# Sistema Hidráulico (1/2)

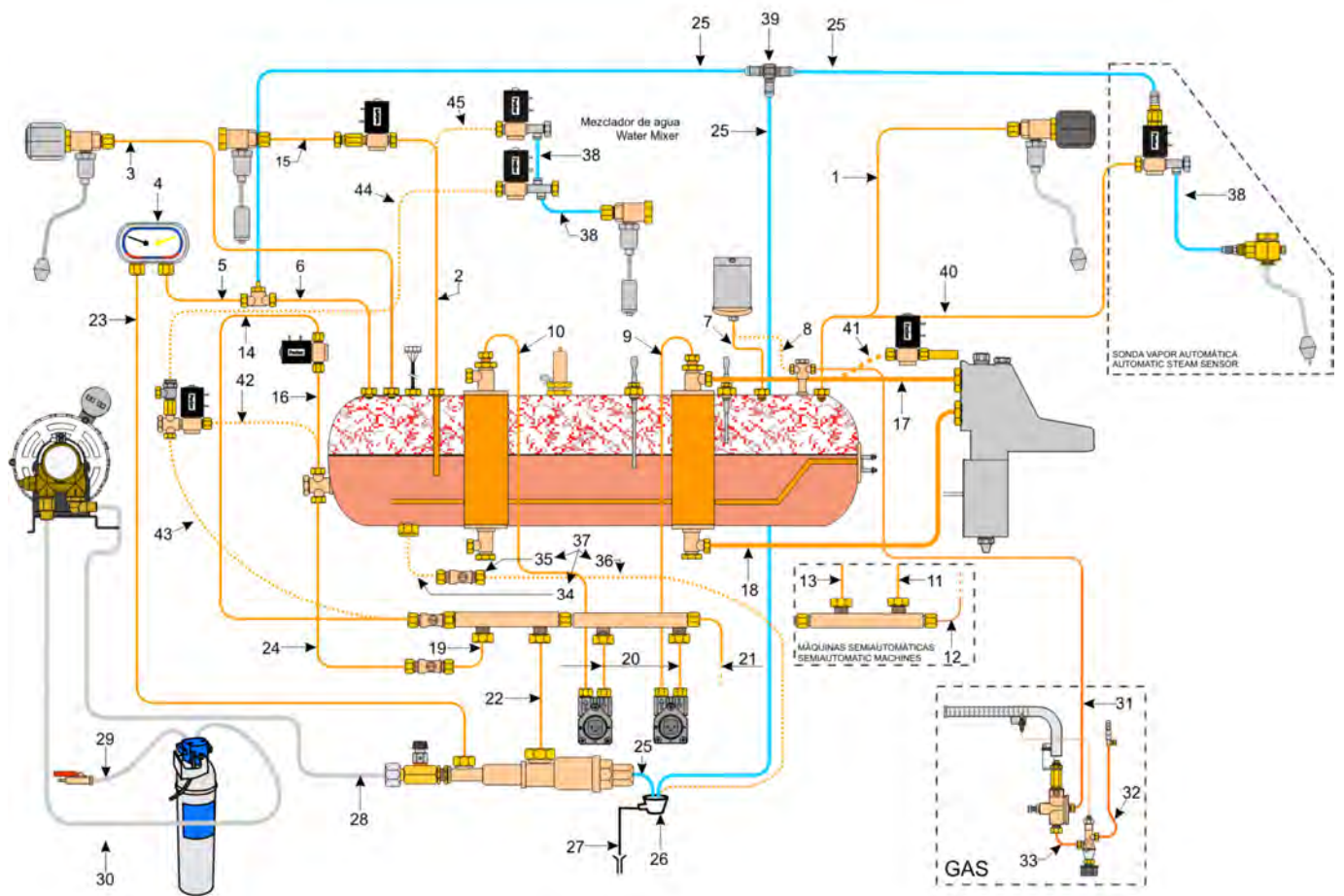
## Hydraulic System (1/2)



| Pos | DENOMINACION                                      | DESCRIPTION                                       | 1GR      | 2GR      | 3GR      | 4GR |
|-----|---|---|----------|----------|----------|-----|
| 1   | Tubo Grifo Vapor Derecho                          | Right Steam Tap Tube                              |          | 08347100 |          |     |
| 2   | Tubo Salida Agua Caliente                         | Hot Water Tap Tube                                | 08349500 | 08347300 |          |     |
| 3   | Tubo Grifo Vapor Izquierdo                        | Left Steam Tap Tube                               |          | 08347200 |          |     |
| 4   | Manómetro 2,5/16 bar                              | 2.5/16 bar Pressure Gauge                         |          | 08339500 |          |     |
| 5   | Tubo Manómetro a Valvula Compensación             | Pressure Gauge to Compensation Valve Tube         |          | 08384800 |          |     |
| 6   | Tubo Válvula Compensación a Caldera               | Compensation Valve to Boiler Tube                 |          | 08384700 |          |     |
| 7   | Tubo Presostato a Caldera                         | Pressure Switch to Boiler Tube                    |          | 08151607 |          |     |
| 8   | Tubo Presostato a Racord (Máq con Gas)            | Pressure Switch to Fitting (Gas Machines)         | X        | 08354700 |          | X   |
| 9   | Tubo Contador a Tubo Térmico (2o Gr)              | Flowmeter to Heat Exchanger Tube (2º G)           | X        | 08308300 |          |     |
| 9   | Tubo Contador a Tubo Térmico (3er Gr)             | Flowmeter to Heat Exchanger Tube (3rd G)          |          | X        | 08308400 |     |
| 9   | Tubo Contador a Tubo Térmico (4o Gr)              | Flowmeter to Heat Exchanger Tube (4th G)          |          | X        | 08308500 |     |
| 10  | Tubo Contador a Tubo Térmico (1er Gr)             | Flowmeter to Heat Exchanger Tube (1st G)          | 08347700 | 08308200 |          |     |
| 11  | Tubo Colector a TT 1er y 2o Gr (Semiautomáticas)  | H.Manifold to H.E. Tube (1st & 2nd G) (Semiaut.)  | X        | 08313900 |          |     |
| 11  | Tubo Colector a TT 4o Gr (Semiautomáticas)        | H.Manifold to H.E. Tube (4th G) (Semiaut.)        |          | X        | 08347800 |     |
| 12  | Tubo Colector a TT 1er y 3er Gr (Semiautomáticas) | H.Manifold to H.E. Tube (1st & 3rd G) (Semiaut.)  | 08346900 | X        | 08314000 | X   |
| 13  | Tubo Colector a TT 1er y 2o Gr (Semiautomáticas)  | H.Manifold to H.E. Tube (1st & 2nd G) (Semiaut.)  | X        | 08313900 |          |     |
| 13  | Tubo Colector a TT (3er Gr en Máq Semiaut.4Gr)    | H.Manifold to H.E. Tube (3rd G in 4G Semiaut. M.) |          | X        | 08347000 |     |
| 14  | Tubo Grifo a Electroválvula Nivel Agua            | Valve to Water Level Solenoid Valve Tube          |          | 08309600 |          |     |
| 15  | Tubo Electroválvula a Grifo Agua                  | Solenoid Valve to Hot Water Tap Tube              | 08349600 | 08347400 |          |     |
| 16  | Tubo Electroválvula Nivel a Caldera               | Water Level Solenoid Valve to Boiler Tube         |          | 08309700 |          |     |
| 17  | Tubo Entrada Grupo                                | Inlet Water Group Head Tube                       | 08346700 | 08511200 |          |     |
| 17  | Tubo Entrada Grupo (Máquinas Altas)               | Inlet Water Group Head Tube (Tall M.)             | X        | 08463500 |          | X   |
| 17  | Tubo Entrada 3er Grupo (Máquinas Altas)           | Inlet Water 3rd Group Head Tube (Tall M.)         |          | X        | 08463600 | X   |
| 18  | Tubo Retorno Grupo                                | Outlet Water Group Head Tube                      | 08346800 | 08511300 |          |     |
| 18  | Tubo Retorno Grupo (Máquinas Altas)               | Outlet Water Group Head Tube (Tall M.)            | X        | 08463300 |          | X   |
| 18  | Tubo Retorno 3er Grupo (Máquinas Altas)           | Outlet Water 3rd Group Head Tube (Tall M.)        |          | X        | 08463700 | X   |
| 19  | Tubo Colector a Grifo Agua                        | H. Manifold to Inlet Water Tap Tube               |          | 08309800 |          |     |
| 20  | Tubo Colector a Contador Volumétrico              | H. Manifold to Flowmeter Tube                     | X        | 08347600 |          |     |

# Sistema Hidráulico (2/2)

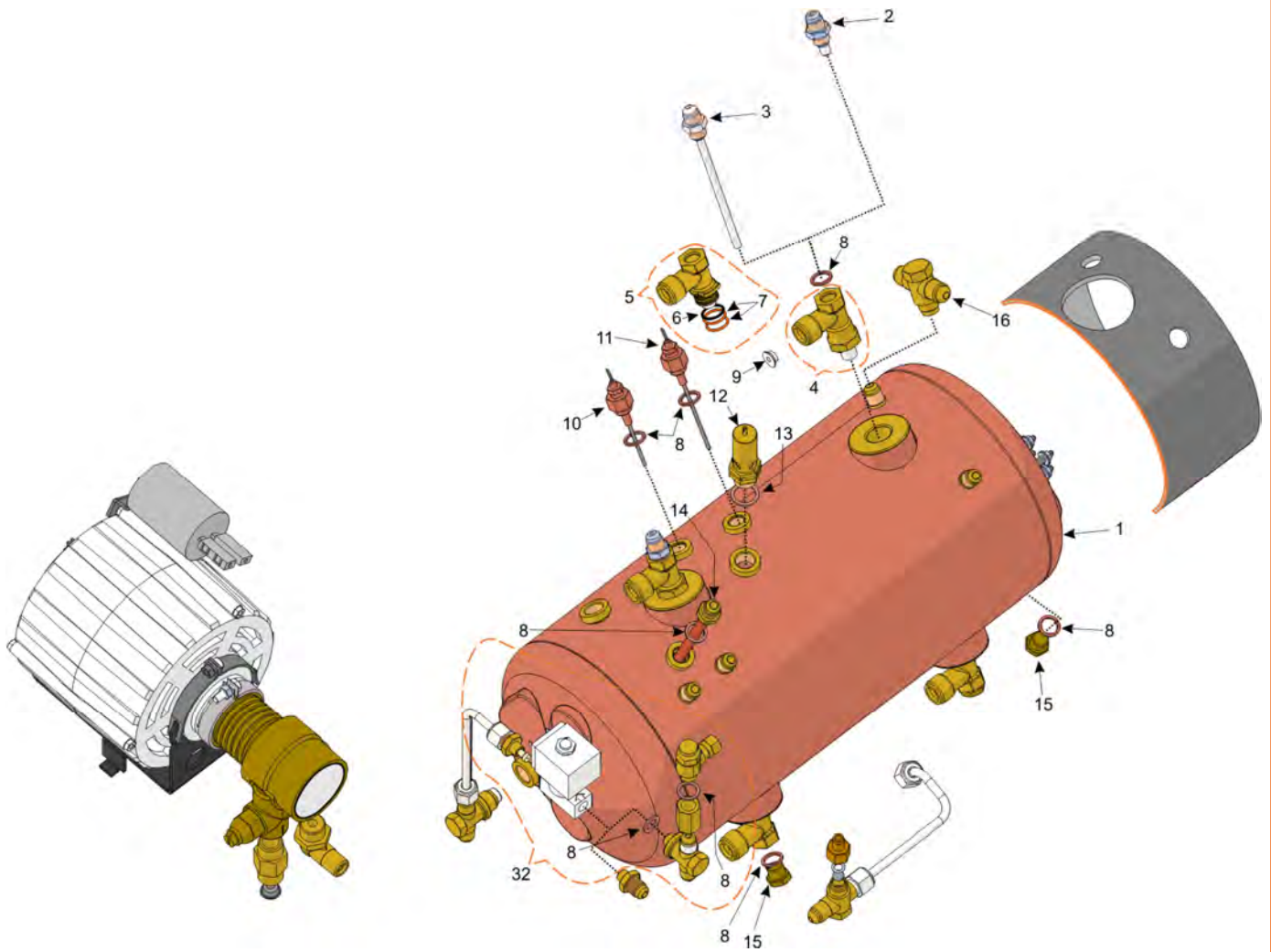
## Hydraulic System (2/2)



| Pos | DENOMINACION  | DESCRIPTION                                    | 1GR      | 2GR         | 3GR      | 4GR      |
|-----|---|--|----------|-------------|----------|----------|
| 21  | Tubo Colector a Contador (1er y 3er Gr)             | H. Manifold to Flowmeter Tube (1st & 3rd G)    | 08347500 | X           | 08347500 | X        |
| 21  | Tubo Colector a Contador (2018 -Compatible)         | H.Manifold to Flowmeter Tube (2018-Compatible) | 08347510 |             | X        |          |
| 22  | Tubo Válvulas a Colector                            | Valves to H.Manifold Tube                      |          | 08343900    |          |          |
| 23  | Tubo Válvulas a Manómetro                           | Valves to Pressure Gauge Tube                  |          | 08116510    |          |          |
| 24  | Tubo Grifo Entrada a Racord Caldera                 | Inlet Water Tap to Boiler Fitting Tube         |          | 08442200    |          |          |
| 25  | Tubo Silicona 6x9                                   | 6x9 Silicone Tube                              |          | 67613609063 |          |          |
| 26  | Cubeta Desagüe                                      | Drain Cup                                      |          | 08478700    |          |          |
| 27  | Tubo de Desagüe                                     | Drain Tube                                     |          | 08020703    |          |          |
| 28  | Tubo Salida Bomba                                   | Water Outlet Pump Tube                         |          | 08341600    |          |          |
| 29  | Tubo Entrada Agua Red                               | Water Inlet Tube                               |          | 0571/050108 |          |          |
| 30  | Tubo Entrada Bomba                                  | Water Inlet Pump Tube                          |          | 0551/050112 |          |          |
| 31  | Tubo Caldera a Automático Gas (*SM)                 | Boiler to Gas System Tube (*ATM)               | X        | 08357900    |          | X        |
| 32  | Tubo Entrada Gas (*SM)                              | Gas Inlet Tube (*ATM)                          | X        | 08653200    |          | X        |
| 33  | Tubo Grifo a Automático Gas (*SM)                   | Gas Tap to Automatic Regulator Tube (*ATM)     | X        | 08358000    |          | X        |
| 34  | Tubo Caldera a Válvula (*SM)                        | Boiler to Valve Tube (*ATM)                    |          | 08712100    |          |          |
| 35  | Válvula Manual (*SM)                                | Manual Valve (*ATM)                            |          | 08442100    |          |          |
| 36  | Tubo Válvula a Cubeta (*SM)                         | Valve to Drain Cup Tube (*ATM)                 |          | 08712200    |          |          |
| 37  | Kit Vaciado Caldera                                 | Boiler Drain Kit                               |          | NT0999      |          |          |
| 38  | Tubo Teflón 8x6 (*SM)                               | 8x6 Teflon Tube (*ATM)                         |          | 67615608060 |          |          |
| 39  | Conexión en "T"                                     | "T"-Shaped Connection                          |          | 09000318    |          |          |
| 40  | Tubo Salida Sonda Vapor Automática (*SM)            | Automatic Steam Tap Tube (*ATM)                | X        | 08456100    | 08464900 | 08465000 |
| 41  | Tubo TT a Electroválvula (Máq Grouptronic®)         | H.E to Solenoid Valve Tube (Grouptronic® M.)   | X        |             | 08463300 |          |
| 41  | Tubo TT Derecho a Electroválvula (Máq Grouptronic®) | Right H.E to Sol. Valve Tube (Grouptronic® M.) |          | X           | 08463400 |          |
| 42  | Tubo Grifo a Caldera (Máq Mezcla Agua)              | Water Valve to Boiler Tube (Water Mixer M.)    | X        |             | 08309700 |          |
| 43  | Tubo Válvulas a Grifo (Máq Mezcla Agua)             | Valves to Manual Valve Tube (Water Mixer M.)   | X        |             | 08420500 |          |
| 44  | Tubo Grifo a Mezclador (Máq Mezcla Agua)            | Valve to Mixer Tube (Water Mixer Machines)     | X        |             | 08420600 |          |
| 45  | Tubo Caldera a Mezclador (Máq Mezcla Agua)          | Boiler to Mixer Tube (Water Mixer Machines)    | X        |             | 08420700 |          |

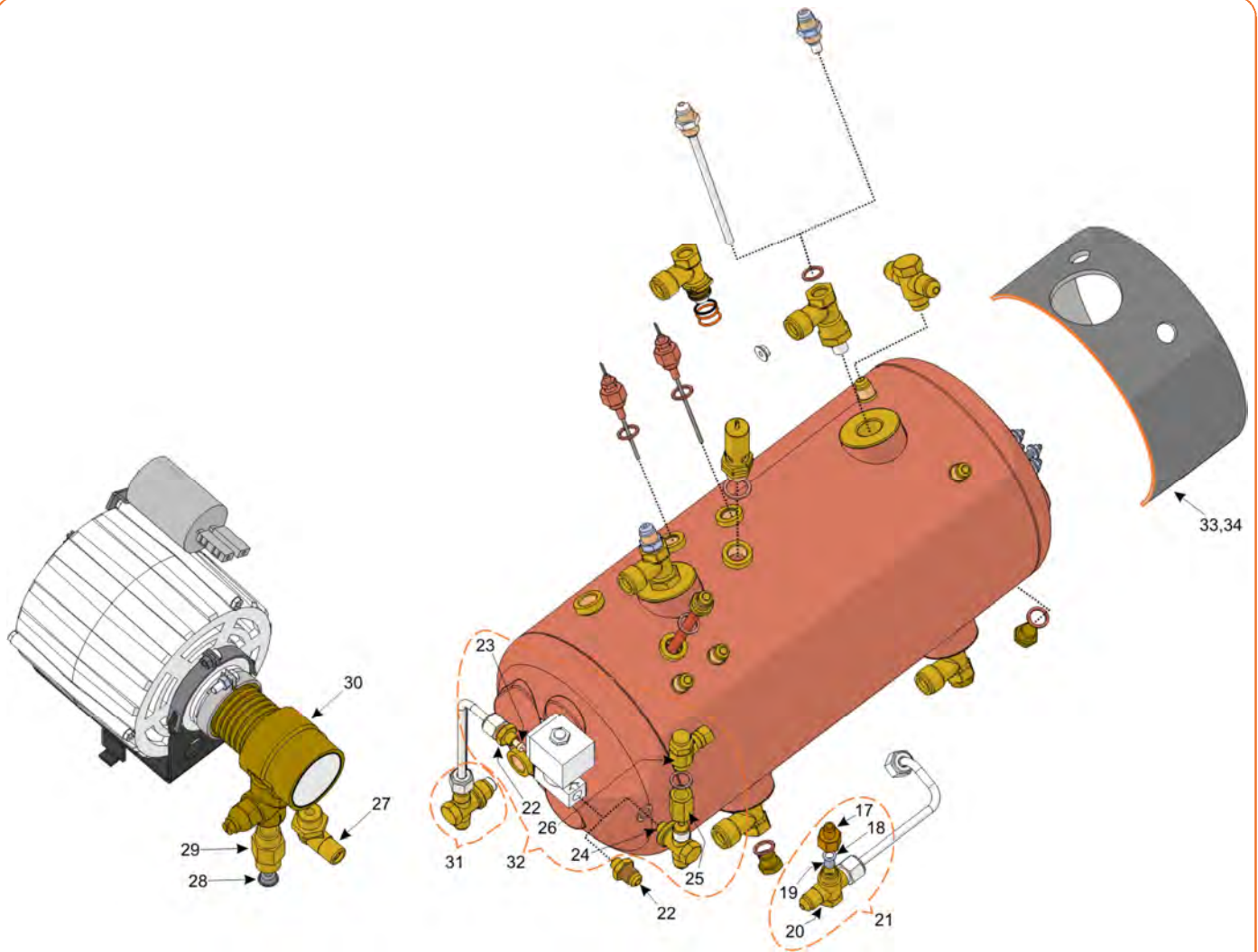
# Caldera y Bomba (1/2)

## Boiler & Pump (1/2)



| Pos | DENOMINACION                               | DESCRIPTION                                  | 1GR      | 2GR         | 3GR      | 4GR      |
|-----|--|--|----------|-------------|----------|----------|
| 1   | Caldera Decapada                           | Boiler                                       | 08700000 | 08700100    | 08700200 | 08700300 |
| 1   | Caldera Decapada Niquelada                 | Nickel Plated Boiler                         | 08700010 | 08700110    | 08700210 | 08700310 |
| 1   | Caldera Decapada (Máquinas Display)        | Pickel Boiler (Display Machines)             | X        | 08700400    | 08700500 | 08700600 |
| 1   | Caldera Decapada Niquelada (M. Display)    | Nickel Plated Boiler (Display M.)            | X        | 08700410    | 08700510 | X        |
| 2   | Cjto Inyector Tubo Térmico                 | Heat Exchanger Injector Fitting Assy         |          | 08355000    |          |          |
| 2   | Cjto Inyector Tubo Térmico Niquelado       | Nickel Plated H.E. Injector Fitting Assy     |          | 08355010    |          |          |
| 3   | Cjto Inyector TT (Máquinas Grouptronic®)   | H.E. Injector Fitting Assy (Grouptronic® M.) |          | 08362100    |          |          |
| 4   | Cjto Racord Tubo Térmico Roscado           | Heat Exchanger Fitting Assy                  |          | 08660200    |          |          |
| 4   | Cjto Racord TT Roscado Niquelado           | Nickel Plated H.E. Fitting Assy              |          | 08660210    |          |          |
| 5   | Cjto Racord Tubo Térmico (Sistema Antiguo) | Heat Exchanger Fitting Assy (Old System)     |          | 08469900    |          |          |
| 5   | Cjto Racord TT (Sistema Antiguo) Niquelado | Nickel Plated H.E. Fitting Assy (Old System) |          | 08469910    |          |          |
| 6   | Junta Tórica 14x1,5                        | 14x1,5 O-Ring                                |          | 08494710    |          |          |
| 7   | Junta Tórica                               | O-Ring                                       |          | 08603500    |          |          |
| 8   | Arandela Cobre 13,5x17,5x1,5               | 13,5x17,5x1,5 Copper Washer                  |          | 01626804    |          |          |
| 9   | Inyector Ø4,5 mm                           | Ø4.5 mm Injector                             |          | 08426700    |          |          |
| 9   | Inyector Ø2,5 mm (*SM)                     | Ø2.5 mm Injector (*ATM)                      |          | 08426720    |          |          |
| 9   | Inyector Ø2 mm (*SM)                       | Ø2 mm Injector (*ATM)                        |          | 08426710    |          |          |
| 10  | Cjto Sonda Nivel Seguridad (*SM)           | Safety Water Upper Level Probe Assy (*ATM)   |          | 0441/091016 |          |          |
| 11  | Cjto Sonda Nivel                           | Safety Water Lower Level Probe Assy          |          | 0441/090816 |          |          |
| 12  | Cjto Válvula Seguridad                     | Pressure Relief Valve Assy                   |          | 08074701    |          |          |
| 13  | Arandela Cobre 17x22x1,5                   | 17x22x1,5 Copper Washer                      |          | 07412208    |          |          |
| 14  | Cjto Racord Pesca                          | Outlet Water Assy                            |          | 07695604    |          |          |
| 14  | Cjto Racord Pesca Niquelado                | Nickel Plated Outlet Water Assy              |          | 07695612    |          |          |
| 15  | Tapón 1/4" G                               | 1/4" G Plug                                  |          | 00225805    |          |          |
| 15  | Tapón 1/4" G Niquelado                     | Nickel Plated 1/4" G Plug                    |          | 00225813    |          |          |
| 16  | Racord 3 Vías (Máquinas Gas)               | 3-Way Fitting (Gas Machines)                 |          | 08304500    |          |          |

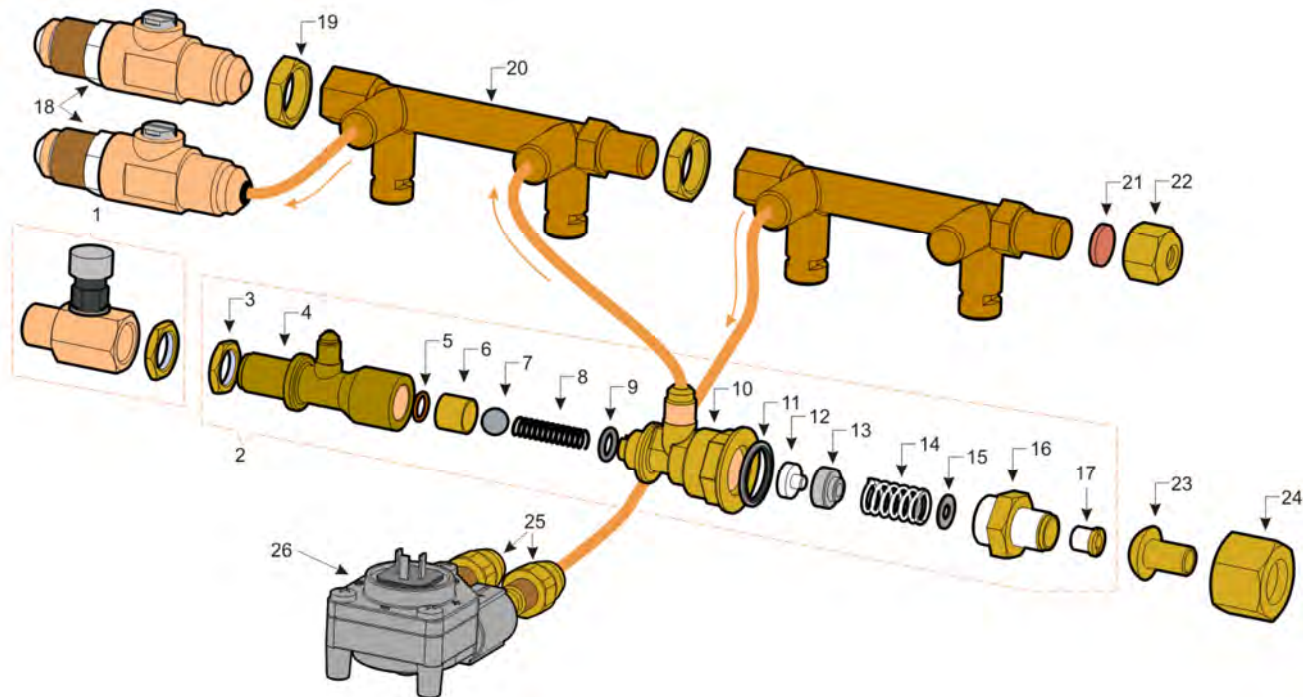
## Caldera y Bomba (2/2) Boiler & Pump (2/2)



| Pos | DENOMINACION                             | DESCRIPTION                                   | 1GR | 2GR         | 3GR | 4GR |
|-----|--|---|-----|-------------|-----|-----|
| 17  | Tapón Válvula Compensación               | Compensation Valve Plug                       |     | 08179004    |     |     |
| 17  | Tapón Válvula Compensación Niquelado     | Nickel Plated Compensation Valve Plug         |     | 08179012    |     |     |
| 18  | Junta Tórica 6,07 EPDM                   | 6,07 EPDM O-Ring                              |     | 08179103    |     |     |
| 19  | Esfera Ø8 mm                             | Ø8 mm Sphere                                  |     | 01720507    |     |     |
| 20  | Cuerpo Válvula Compensación              | Compensation Valve Main Body                  |     | 08381000    |     |     |
| 20  | Cuerpo Válvula Compensación Niquelado    | Nickel Plated Compensation Valve Main Body    |     | 08381010    |     |     |
| 21  | Cjto Válvula Compensación                | Compensation Valve Assy                       |     | 08514600    |     |     |
| 22  | Racord Entrada Agua                      | Inlet Water Fitting                           |     | 07466501    |     |     |
| 22  | Racord Entrada Agua Niquelado            | Nickel Plated Inlet Water Fitting             |     | 07466519    |     |     |
| 23  | Reductor Entrada Agua                    | Inlet Water Pressure Reducer                  |     | 08391200    |     |     |
| 24  | Racord 1/4"GA - 1/8"G - 1/4"GA           | 1/4"GA - 1/8"G - 1/4"GA Fitting               |     | 08341200    |     |     |
| 24  | Racord 1/4"GA - 1/8"G - 1/4"GA Niquelado | Nickel Plated 1/4"GA - 1/8"G - 1/4"GA Fitting |     | 08341210    |     |     |
| 25  | Racord 1/4"G                             | 1/4" G Fitting                                |     | 08416600    |     |     |
| 25  | Racord 1/4"G Niquelado                   | Nickel Plated 1/4" G Fitting                  |     | 08416600    |     |     |
| 26  | Grifo Regulador                          | Regulating Tap                                |     | 08416500    |     |     |
| 27  | Racord Salida Bomba                      | Pump Outlet Fitting                           |     | 08004418    |     |     |
| 27  | Racord Salida Bomba Niquelado            | Nickel Plated Pump Outlet Fitting             |     | 08004426    |     |     |
| 28  | Filtro                                   | Filter  |     | 08297900    |     |     |
| 29  | Racord                                   | Fitting                                       |     | 0371/110103 |     |     |
| 29  | Racord Niquelado                         | Nickel Plated Fitting                         |     | 0371/110203 |     |     |
| 30  | Bomba "Fluid-o-tech"                     | "Fluid-o-tech" Pump                           |     | 07822109    |     |     |
| 30  | Bomba "Procon"                           | "Procon" Pump                                 |     | 07822109-S  |     |     |
| 31  | Cjto Racord 3 Vías                       | 3-Way Fitting Assy                            |     | 08355300    |     |     |
| 31  | Cjto Racord 3 Vías Niquelado             | Nickel Plated 3-Way Fitting Assy              |     | 08355310    |     |     |
| 32  | Cjto Electroválvula Entrada Agua (*SM)   | Inlet Water Solenoid Valve Assy (*ATM)        |     | 08416400    |     |     |
| 33  | Aislante Térmico (*SM)                   | Thermal Insulator (*ATM)                      | X   | 08551700    | X   | X   |
| 34  | Brida Aislante (*SM)                     | Thermal Insulator Fastener (*ATM)             | X   | 08551800    | X   | X   |

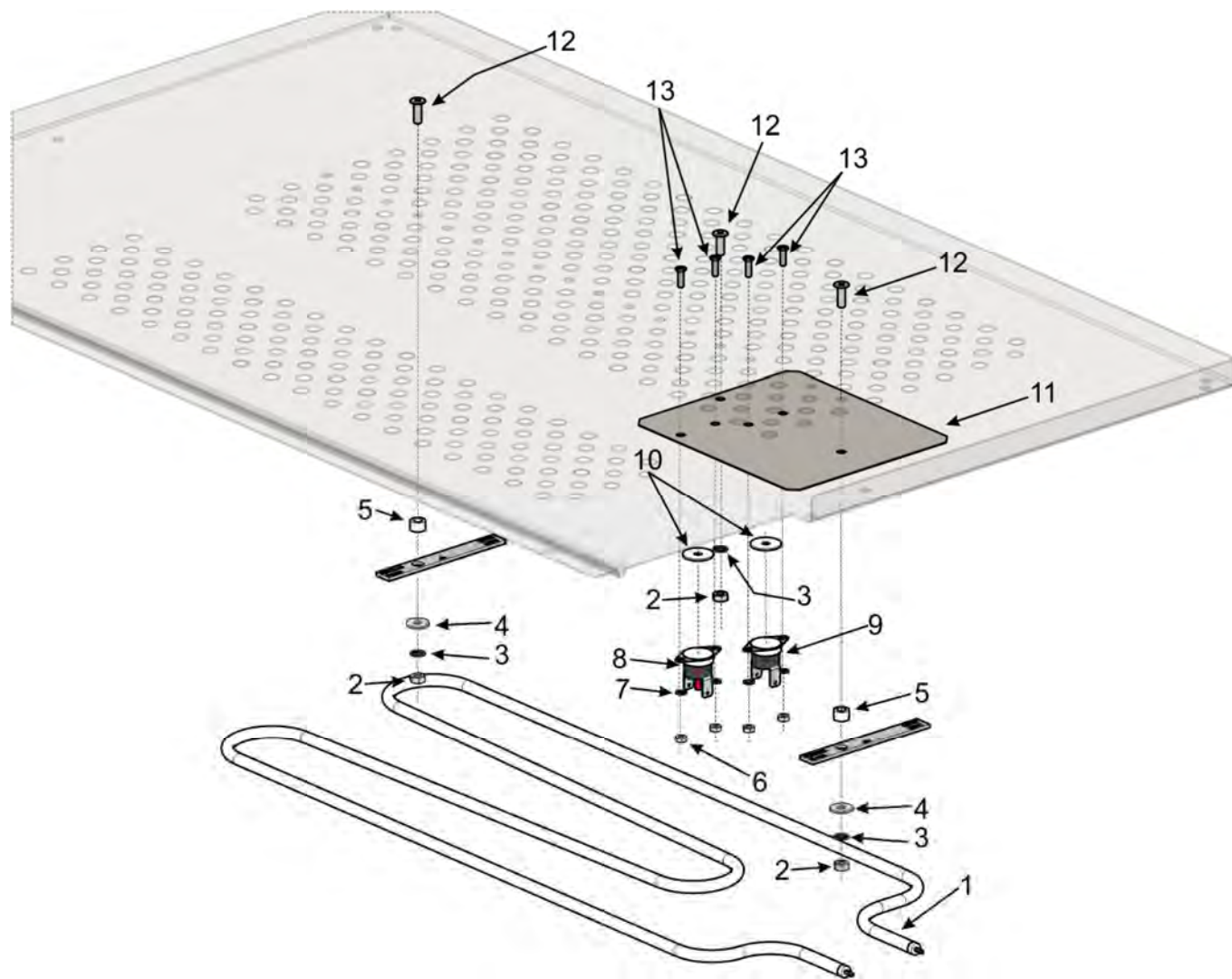
# Válvulas Expansión y Colector

## Relief Valves & Hydraulic Manifold



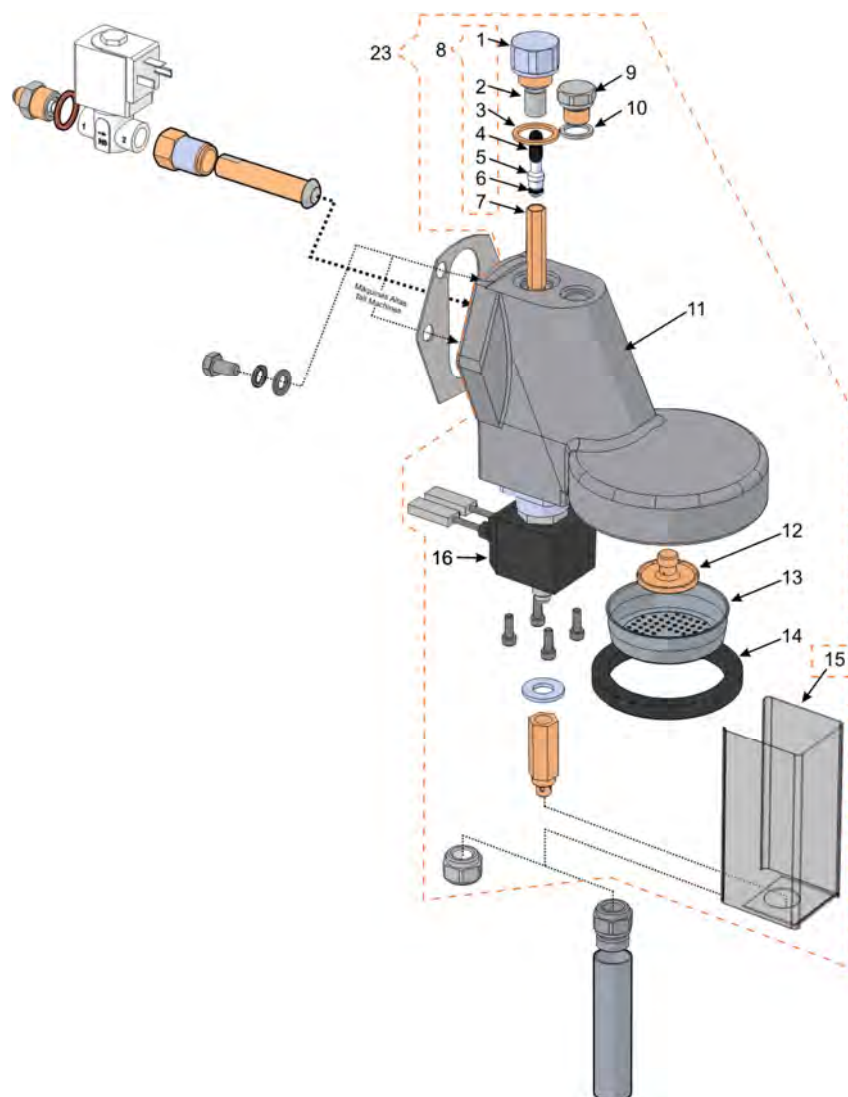
| Pos | DENOMINACION                                 | DESCRIPTION                             | REF.                     |
|-----|--|---|--------------------------|
| 1   | Kit Purgador (Opcional)                      | Purge Kit (Optional)                    | 08447700                 |
| 2   | Cjto Válvula Retención/Expansión             | Check / Relief Valve Assy               | 07843808                 |
| 2   | Cjto Válvula Retención/Expansión Niquelado   | Nickel Plated Check / Relief Valve Assy | 07843816                 |
| 3   | Tuerca 3/8" Gas                              | 3/8" Nut                                | 04531505                 |
| 4   | Cuerpo Válvula Retención                     | Check Valve Main Body                   | 07922701                 |
| 4   | Cuerpo Válvula Retención Niquelado           | Nickel Plated Check Valve Main Body     | 07922719                 |
| 5   | Junta Tórica                                 | O-Ring                                  | 07851900                 |
| 6   | Casquillo                                    | Cap                                     | 07851801                 |
| 6   | Casquillo Niquelado                          | Nickel Plated Cap                       | 07851819                 |
| 7   | Esfera Ø11,11                                | Ø11,11 Sphere                           | 01832005                 |
| 8   | Muelle Válvula                               | Valve Spring                            | 01720606                 |
| 9   | Junta Tórica                                 | O-Ring                                  | 07763204                 |
| 10  | Cuerpo Válvula Expansión                     | Relief Valve Main Body                  | 07851603                 |
| 10  | Cuerpo Válvula Expansión Niquelado           | Nickel Plated Relief Valve Main Body    | 07851611                 |
| 11  | Arandela Válvula Expansión                   | Relief Valve Washer                     | 08506530                 |
| 12  | Junta Cierre                                 | Closing Gasket                          | 01853704                 |
| 13  | Casquillo                                    | Cap                                     | 01853803                 |
| 13  | Casquillo Niquelado                          | Nickel Plated Cap                       | 01853811                 |
| 14  | Muelle                                       | Spring                                  | 00109108                 |
| 15  | Arandela 6,5x14,3x1                          | 6,5x14,3x1 Washer                       | 04711701                 |
| 16  | Racord                                       | Fitting                                 | 07468101                 |
| 16  | Racord Niquelado                             | Nickel Plated Fitting                   | 07468119                 |
| 17  | Regulador Muelle                             | Spring Regulator                        | 07468408                 |
| 17  | Regulador Muelle Niquelado                   | Nickel Plated Fitting                   | 07468416                 |
| 18  | Válvula 1/4"                                 | 1/4" Valve                              | 08442100                 |
| 19  | Tuerca 1/4" Gas                              | 1/4" Nut                                | 04530600                 |
| 20  | Colector                                     | Manifold                                | 08283509                 |
| 20  | Colector Niquelado                           | Nickel Plated Manifold                  | 08283510                 |
| 21  | Disco 10,2x1,5 Cobre                         | 10,2x1,5 Washer Disc                    | 07412703                 |
| 22  | Tuerca 1/4" G Abocardada                     | 1/4" Flared Nut                         | 05051701                 |
| 23  | Niple Especial                               | Nipple                                  | 08058901                 |
| 24  | Tuerca Niple 3/8"                            | 3/8" Nipple Nut                         | 00011502                 |
| 25  | Racord 1/8" a 1/4" Abocardado                | 1/8" to 1/4" Fitting                    | 02800704                 |
| 25  | Racord 1/8" a 1/4" Abocardado Niquelado      | Nickel Plated 1/8" to 1/4" Fitting      | 02800712                 |
| 26  | Contador Volumétrico (Máquinas Electrónicas) | Flowmeter (Electronic Machines)         | Ver Pág 20 / See Page 20 |

# Bandeja Calientatazas (\*SM) Cup Heater Tray (\*ATM)



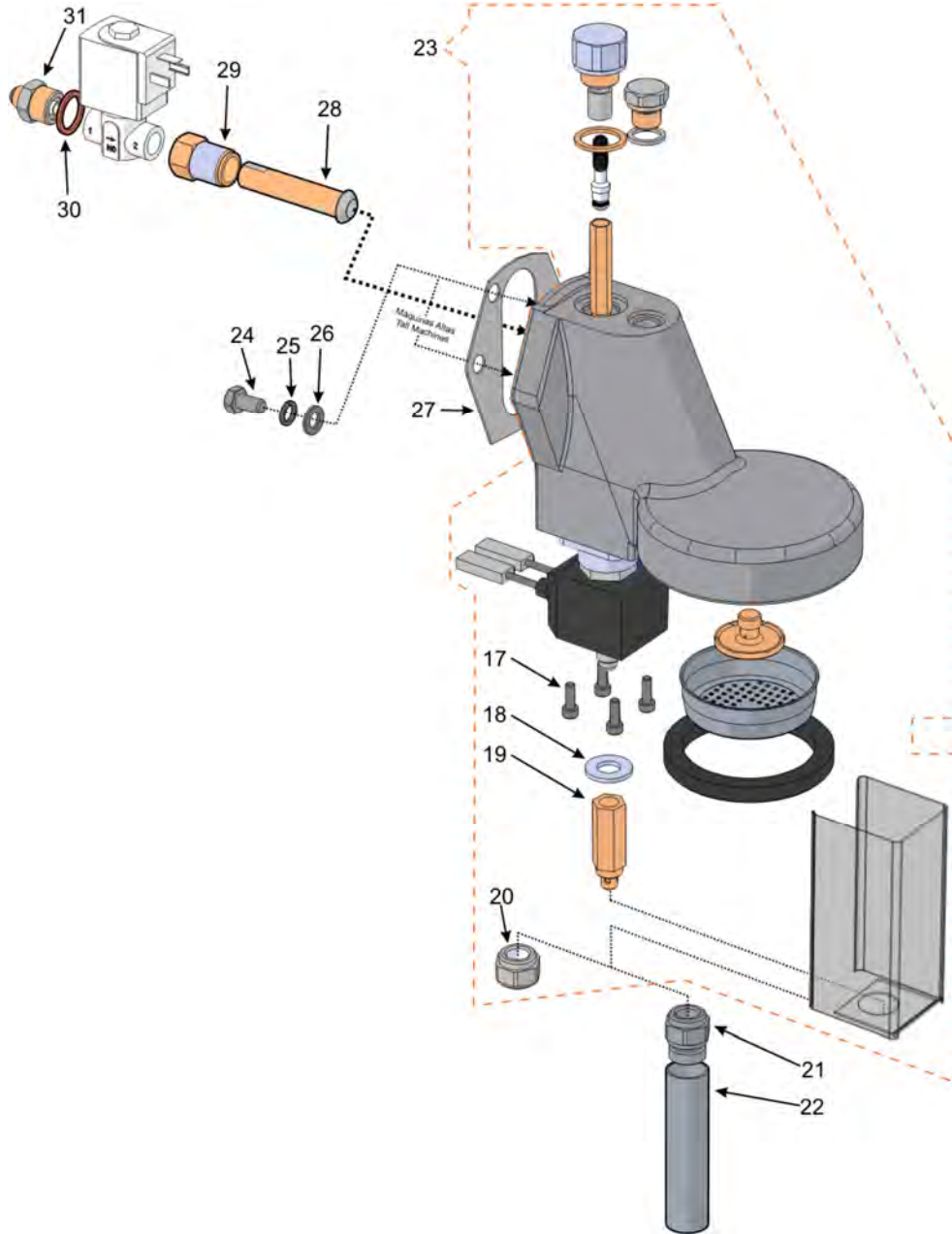
| Pos | DENOMINACION                              | DESCRIPTION                       | REF.     |
|-----|---|-----------------------------------|----------|
| 1   | Resistencia Calientatazas (Máquinas 2 Gr) | Cup Warmer Heater (2 Gr Machines) | 08420300 |
| 1   | Resistencia Calientatazas (Máquinas 3 Gr) | Cup Warmer Heater (3 Gr Machines) | 08420400 |
| 2   | Tuerca M4 DIN 934                         | M4 DIN 934 Nut                    | 05126602 |
| 3   | Arandela Dentada M4 DIN 6798              | M4 DIN 6798 Toothed Washer        | 04982100 |
| 4   | Arandela M4 DIN 9021                      | M4 DIN 9021 Washer                | 05162400 |
| 5   | Separador Resistencia                     | Heater Separating                 | 08350900 |
| 6   | Tuerca M3 DIN 934                         | M3 DIN 934 Nut                    | 05126503 |
| 7   | Arandela Dentada M3 DIN 6798              | M3 DIN 6798 Toothed Washer        | 04982000 |
| 8   | Termostato 95° + Rearme                   | 95° + Rearm Thermostat            | 08368410 |
| 9   | Termostato 80°                            | 80° Thermostat                    | 08368400 |
| 10  | Conductor de calor                        | Heat Conductive                   | 08478900 |
| 11  | SopORTE Termostatos                       | Thermostats Support               | 08519700 |
| 12  | Tornillo Cabeza Plana M4x12               | M4x12 Plain Headed Screw          | 04596601 |
| 13  | Tornillo M3                               | M3 Screw                          | 05161600 |

## Grupo (1/2) Group Head (1/2)



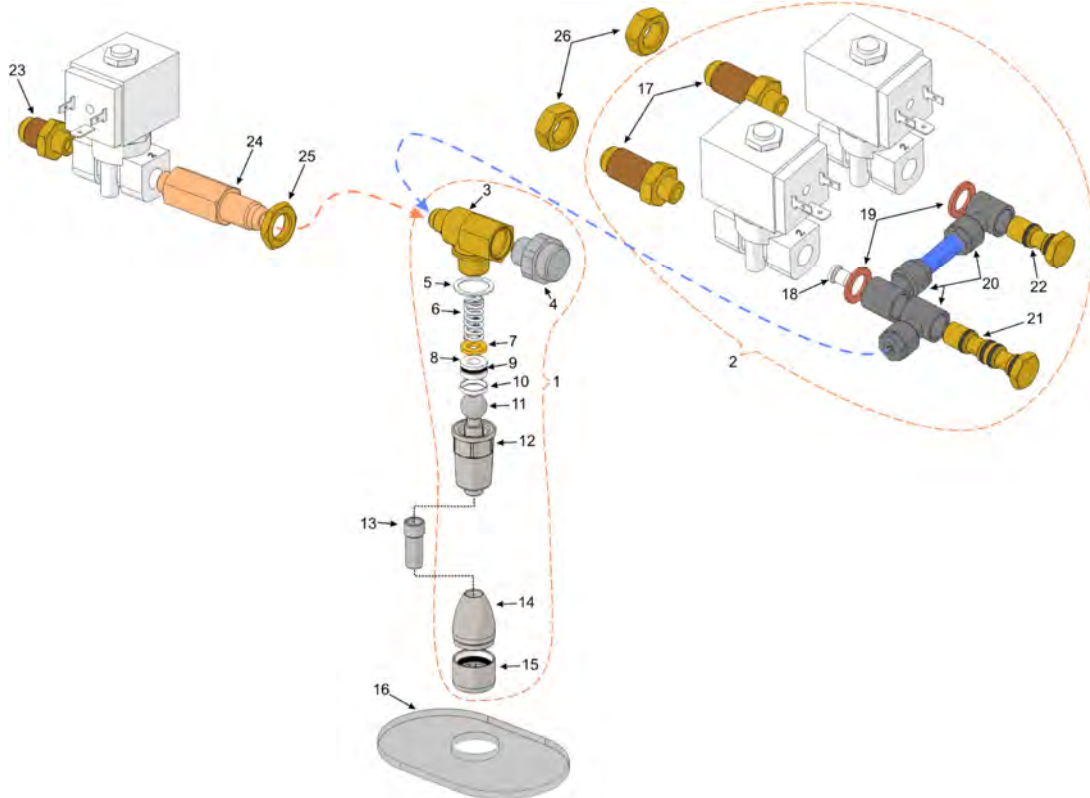
| Pos | DENOMINACION                              | DESCRIPTION                                  | REF.                     |
|-----|---|--|--------------------------|
| 1   | Tapón Guía Muelle                         | Spring Guide Cap                             | 07557200                 |
| 2   | Tubo Teflón 8x10x12                       | 8x10x12 Teflon Tube                          | 67615610080              |
| 3   | Arandela 12,1x15,8x1,5                    | 12,1x15,8x1,5 Copper Washer                  | 07412208                 |
| 4   | Filtro                                    | Filter                                       | 08298700                 |
| 5   | Inyector                                  | Injector                                     | 08298800                 |
| 6   | Junta Tórica                              | O-Ring                                       | 0371/040103              |
| 7   | Columna Inyector                          | Injector Columnn                             | 08299000                 |
| 7   | Columna Inyector Niquelada                | Nickel Plated Injector Kit Columnn           | 08299010                 |
| 8   | Kit Filtro Grupo                          | Group Head Filter Kit                        | NT0029                   |
| 9   | Tapón Grupo                               | Group Head Cap                               | 02736403                 |
| 10  | Arandela 12,1x15,8x1,5                    | 12,1x15,8x1,5 Washer                         | 07411507                 |
| 11  | Cuerpo Grupo                              | Group Head Main Body                         | 08430920                 |
| 11  | Cuerpo Grupo (Máquinas Altas)             | Group Head Main Body (Tall Machines)         | 08430970                 |
| 11  | Cuerpo Grupo (Máquinas Grouptronic®)      | Group Head Main Body (Grouptronic® Machines) | 08430930                 |
| 11  | Cuerpo Grupo (Máq Altas con Grouptronic®) | Group Head Main Body (Tall + Grouptronic M.) | 08430980                 |
| 12  | Rociador de Agua                          | Water Sprayer                                | 02012904                 |
| 12  | Rociador de Agua Niquelado (*SM)          | Nickel Plated Water Sprayer (*ATM)           | 02012912                 |
| 12  | Rociador de Agua (Monodosis) (*SM)        | Water Sprayer (Monodose) (*ATM)              | 02012920                 |
| 13  | Ducha Grupo                               | Group Head Shower                            | 02610004                 |
| 13  | Ducha Grupo (Monodosis) (*SM)             | Group Head Shower (Monodose) (*ATM)          | 02610020                 |
| 14  | Junta Porta Filtro 8 mm                   | 8 mm Filter Holder Gasket                    | 01652809                 |
| 14  | Junta Porta Filtro 9 mm (*SM)             | 9 mm Filter Holder Gasket (*SM)              | 01160400                 |
| 14  | Suplemento Junta Porta Filtro 1 mm (*SM)  | 1 mm Filter Holder Gasket Supplement (*ATM)  | 07158009                 |
| 15  | Tapa Electroválvula                       | Solenoid Valve Cover                         | 08426600                 |
| 16  | Electroválvula Grupo                      | Group Head Solenoid Valve                    | Ver pág 21 / See page 21 |

## Grupo (2/2) Group Head (2/2)



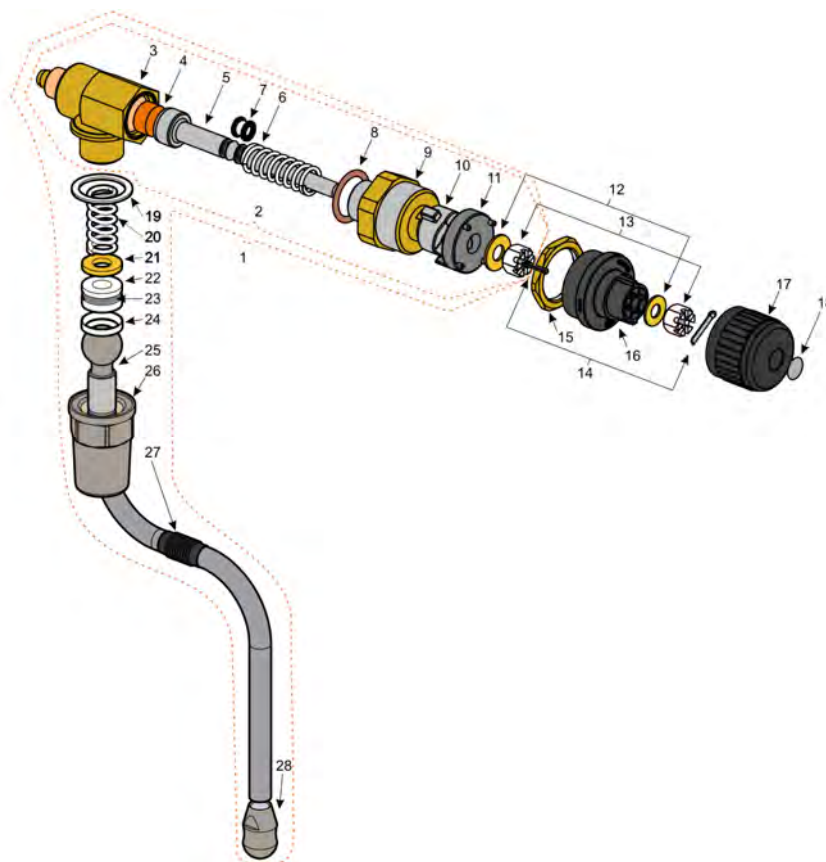
| Pos | DENOMINACION                                    | DESCRIPTION                               | REF.     |
|-----|---|---|----------|
| 17  | Tornillo M4 DIN912                              | M4 DIN912 Screw                           | 05194402 |
| 18  | Arandela 10,5x21x2 (Sólo Electroválvula Parker) | 10,5x21x2 Washer (Parker Sol. Valve Only) | 08395300 |
| 19  | Columna Descarga                                | Discharge Column                          | 08426400 |
| 20  | Tuerca Tapa Electroválvula                      | Solenoid Valve Cover Nut                  | 08426500 |
| 21  | Tuerca Tapa Electroválvula (Máquinas Altas)     | Solenoid Valve Cover Nut (Tall Machines)  | 08439700 |
| 22  | Tubo Descarga Grupo (Máquinas Altas)            | Discharge Tube (Tall Machines)            | 08433410 |
| 23  | Cjto Grupo                                      | Group Head Assy                           | 08430700 |
| 23  | Cjto Grupo (Máquinas con Grouptronic®)          | Group Head Assy (Grouptronic® Machines)   | 08430800 |
| 23  | Cjto Grupo (Máquinas Altas)                     | Group Head Assy (Tall Machines)           | 08496500 |
| 23  | Cjto Grupo (Máquinas Altas con Grouptronic®)    | Group Head Assy (Tall + Grouptronic® M.)  | 08496510 |
| 24  | Tornillo M8x15                                  | M8x15 Screw                               | 04106217 |
| 25  | Arandela Grower DIN7980                         | DIN7980 Grower Washer                     | 04316412 |
| 26  | Arandela DIN125                                 | DIN125 Washer                             | 04333613 |
| 27  | Junta Grupo                                     | Group Gasket                              | 08150203 |
| 28  | Racord Nipple (Máquinas Grouptronic®)           | Nipple Fitting (Grouptronic® Machines)    | 08415500 |
| 29  | Tuerca Nipple                                   | Nipple Nut                                | 08432200 |
| 30  | Arandela 13,5x17,5x1                            | 13,5x17,5x1 Washer                        | 01626804 |
| 31  | Racord 1/2"-1/4" Gas                            | 1/2"-1/4" Gas Fitting                     | 08424200 |

# Grifería y Mezclador de Agua (\*SM) Water Tap & Mixer (\*ATM)



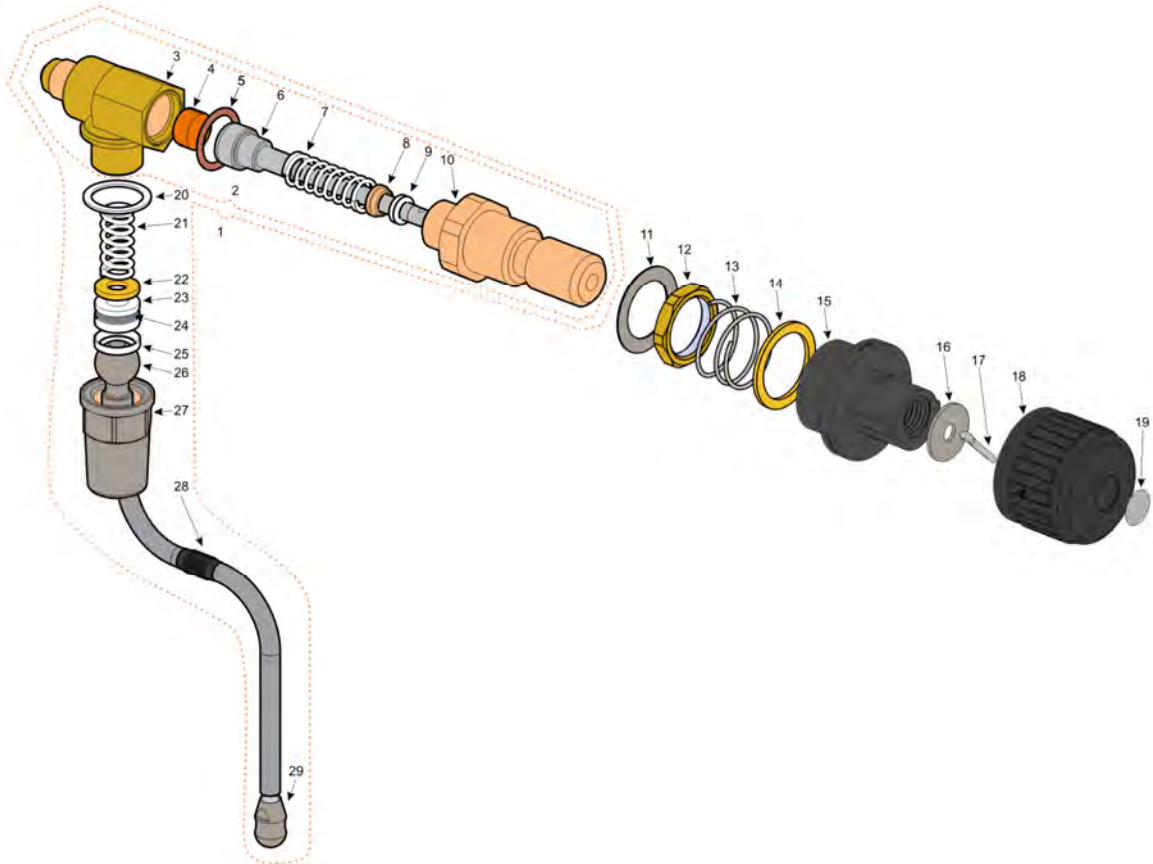
| Pos | DENOMINACION  | DESCRIPTION   | REF.     |
|-----|---|---|----------|
| 1   | Cjto Grifo Agua Caliente                              | Hot Water Tap Assy                                      | 08340400 |
| 1   | Cjto Grifo Agua Caliente Niquelado                    | Nickel Plated Hot Water Tap Assy                        | 08340420 |
| 1   | Cjto Grifo Agua Caliente (Máq con Mezclador Agua)     | Hot Water Tap Assy (Water Mixer Machines)               | 08508800 |
| 1   | Cjto Grifo Agua C. Niquelado (Máq con Mezclador Agua) | Nickel Plated Hot Water Tap Assy (Water Mixer Machines) | 08508520 |
| 2   | Cjto Mezclador de Agua (*SM)                          | Water Mixer Assy (*ATM)                                 | 08415600 |
| 2   | Cjto Mezclador de Agua Niquelado (*SM)                | Nickel Plated Water Mixer Assy (*ATM)                   | 08415610 |
| 3   | Cuerpo Grifo  | Tap Main Body   | 08165003 |
| 3   | Cuerpo Grifo Niquelado                                | Nickel Plated Tap Main Body                             | 08165011 |
| 3   | Cuerpo Grifo (con Entrada Teflón)                     | Tap Main Body (with Teflon Tube Inlet)                  | 08493100 |
| 3   | Cuerpo Grifo Niquelado (con Entrada Teflón)           | Nickel Plated Tap Main Body (with Teflon Tube Inlet)    | 08493110 |
| 4   | Racord Cuerpo Grifo                                   | Tap Main Body Fitting                                   | 08340600 |
| 4   | Racord Cuerpo Grifo Niquelado                         | Nickel Plated Tap Main Body Fitting                     | 08340610 |
| 5   | Arandela Teflón 17x22x1                               | 17x22x1 Teflon Washer                                   | 05132808 |
| 6   | Muelle Rótula   | Ball Joint Spring                                       | 08165300 |
| 7   | Arandela 7x14,5x2                                     | 7x14,5x2 Washer   | 08165508 |
| 8   | Tope Rótula   | Ball Joint Stop   | 08397800 |
| 9   | Junta Tórica  | O-Ring  | 07763204 |
| 10  | Inserto Tuerca Rótula                                 | Ball Joint Nut Insert                                   | 08479900 |
| 11  | Rótula Salida Agua Caliente M10                       | M10 Hot Outlet Water Ball Joint                         | 08340500 |
| 12  | Tuerca Rótula   | Ball Joint Nut  | 08165130 |
| 13  | Suplemento Rótula Agua Caliente (Opcional)            | Hot Outlet Water Joint Supplement                       | 08424000 |
| 14  | Cuerpo Ducha  | Shower Main Body  | 09415200 |
| 15  | Cjto Malla Salida Agua                                | Outlet Water Mesh Assy                                  | 09000325 |
| 16  | Tapa Embellecedor                                     | Bezel Cover   | 08395600 |
| 17  | Racord 1/4"-1/8" Gas                                  | 1/4"-1/8" Gas Fitting                                   | 08415700 |
| 17  | Racord 1/4"-1/8" Gas Niquelado                        | Nickel Plated 1/4"-1/8" Gas Fitting                     | 08415710 |
| 18  | Reductor Electroválvula                               | Solenoid Valve Inlet Water Reducer                      | 08505500 |
| 19  | Arandela Cobre 10,2x16x1,5                            | 10,2x16x1,5 Copper Washer                               | 07411600 |
| 20  | Anillo Orientable 1500 8/6"-1/8"                      | 8/6"-1/8" 1500 Adjustable Ring                          | 08416000 |
| 21  | Tornillo Giratorio Doble 1/8"                         | 1/8" Double Rotating Screw                              | 08504410 |
| 22  | Tornillo Giratorio 1/8"                               | 1/8" Rotating Screw                                     | 08504400 |
| 23  | Racord Electroválvula Agua                            | Water Solenoid Valve Fitting                            | 07466501 |
| 23  | Racord Electroválvula Agua Niquelado                  | Nickel Plated Water Solenoid Valve Fitting              | 07466519 |
| 24  | Racord 1/8" x 1/4" G                                  | 1/8" x 1/4" G Fitting                                   | 08341100 |
| 24  | Racord 1/8" x 1/4" G Niquelado                        | Nickel Plated 1/8" x 1/4" G Fitting                     | 08341110 |
| 25  | Tuerca 1/4" G   | 1/4" G Nut  | 04530600 |
| 26  | Tuerca EX 1/4"G                                       | EX 1/4"G Nut  | 04530804 |

## Grifería de Vapor (Sistema Leva) Steam Taps (Pawl System)



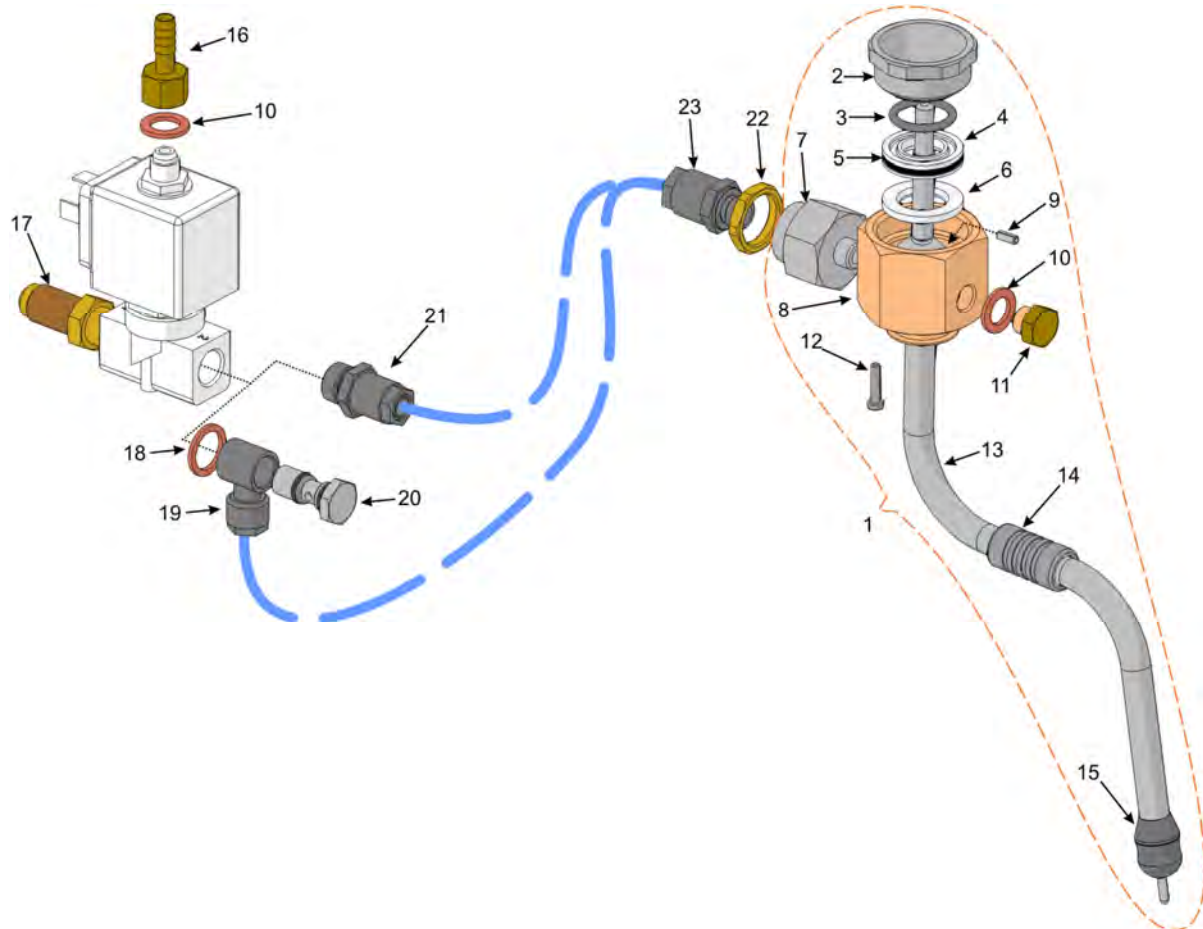
| Pos | DENOMINACION                          | DESCRIPTION                                | REF.        |
|-----|---------------------------------------|--|-------------|
| 1   | Cjto Grifo Vapor                      | Steam Tap Assy                             | 08448400    |
| 1   | Cjto Grifo Vapor Niquelado            | Nickel Plated Steam Tap Assy               | 08448410    |
| 2   | Cjto Grifo Común Agua Vapor           | Hot Water & Steam Common Tap               | 08512000    |
| 2   | Cjto Grifo Común Agua Vapor Niquelado | Nickel Plated Hot Water & Steam Common Tap | 08512100    |
| 3   | Cuerpo Grifo                          | Tap Body                                   | 08165003    |
| 3   | Cuerpo Grifo Niquelado                | Nickel Plated Tap Body                     | 08165011    |
| 4   | Taco Goma Cierre Grifo                | Rubber Tap Closer Cue                      | 11181302    |
| 5   | Cjto Eje Grifo                        | Tap Shaft Assy                             | 08389200    |
| 6   | Muelle Eje Grifo                      | Tap Shaft Spring                           | 08389900    |
| 7   | Junta Tórica                          | O-Ring                                     | 03070802    |
| 8   | Junta Metaloplástica                  | Metal-plastic Joint                        | 02455103    |
| 9   | Racord Cuerpo Grifo                   | Tap Body Fitting                           | 08389400    |
| 9   | Racord Cuerpo Grifo Niquelado         | Nickel Plated Tap Body Fitting             | 08389410    |
| 10  | Leva Fija                             | Fixed Pawl                                 | 08389500    |
| 11  | Leva Móvil                            | Mobile Pawl                                | 08389600    |
| 12  | Arandela                              | Washer                                     | 04711701    |
| 13  | Tuerca M6                             | M6 Nut                                     | 08389800    |
| 14  | Pasador Inox                          | Inox Pin                                   | 09000277    |
| 15  | Tuerca 1/2" Gas                       | 1/2" Gas Nut                               | 0591/030109 |
| 16  | Casquillo Pomo                        | Knob Cap                                   | 08389710    |
| 17  | Pomo Grifo Negro                      | Black Tap                                  | 08335400    |
| 18  | Pegatina Vapor                        | Steam Sticker                              | 08147804    |
| 19  | Arandela Teflón                       | Teflon Washer                              | 05132808    |
| 20  | Muelle Rótula                         | Ball Joint Spring                          | 08165300    |
| 21  | Arandela                              | Washer                                     | 08165508    |
| 22  | Tope de Rótula                        | Ball Joint Top                             | 08397800    |
| 23  | Junta tórica                          | O-Ring                                     | 07763204    |
| 24  | Inserto Tuerca Rótula                 | Ball Joint Nut Insert                      | 08479900    |
| 25  | Tubo Salida Vapor (L-64)              | L-64 Outlet Steam Tube                     | 08340300    |
| 25  | Tubo Salida Vapor (L-94) (*SM)        | L-94 Outlet Steam Tube (*ATM)              | 08340320    |
| 25  | Tubo Salida Vapor (L-120) (M8) (*SM)  | L-120 Outlet Steam Tube (M8) (*ATM)        | 08654100    |
| 26  | Tuerca Rótula                         | Ball Joint Nut                             | 08165130    |
| 27  | Protector Tubo Vapor                  | Steam Tube Protector                       | 09000586    |
| 28  | Ducha Vapor M10                       | M10 Steam Shower                           | 08391900    |

## Grifería de Vapor (Sistema Antiguo) Steam Taps (Old System)



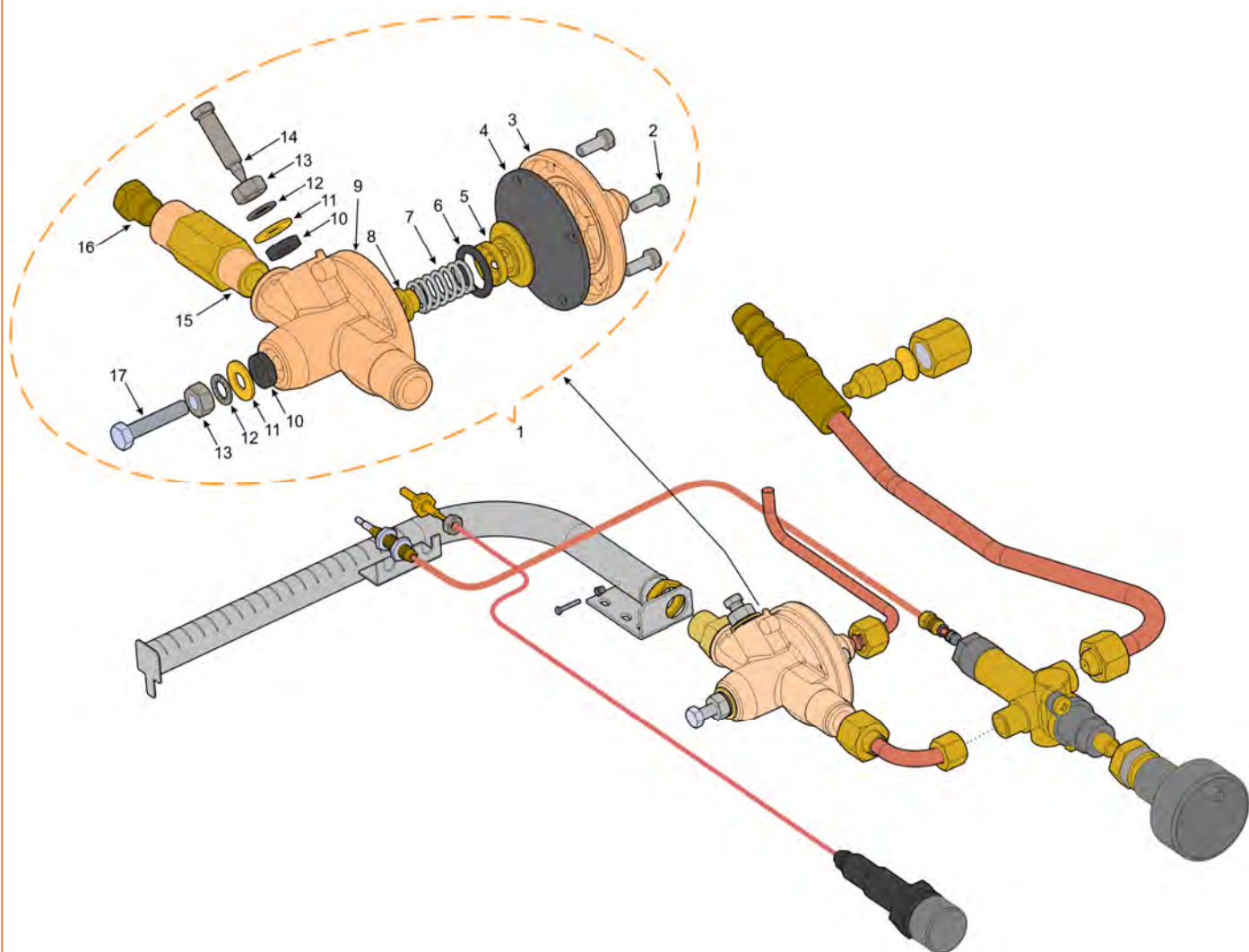
| Pos | DENOMINACION                  | DESCRIPTION                    | REF.     |
|-----|-------------------------------|--------------------------------|----------|
| 1   | Cjto Grifo Vapor              | Steam Tap Assy                 | 08340200 |
| 1   | Cjto Grifo Vapor Niquelado    | Nickel Plated Steam Tap Assy   | 08340220 |
| 2   | Cjto Grifo Común Agua Vapor   | Hot Water & Steam Common Tap   | 08204802 |
| 3   | Cuerpo Grifo                  | Tap Body                       | 08165003 |
| 3   | Cuerpo Grifo Niquelado        | Nickel Plated Tap Body         | 08165011 |
| 4   | Taco Goma Cierre Grifo        | Rubber Tap Closer Cue          | 11181302 |
| 5   | Junta Metaloplástica          | Metal-plastic Joint            | 02455103 |
| 6   | Cjto Eje Grifo                | Tap Shaft Assy                 | 11156502 |
| 6   | Cjto Eje Grifo Inox           | Inox Tap Shaft Assy            | 11156530 |
| 7   | Muelle Eje Grifo              | Tap Shaft Spring               | 08389900 |
| 8   | Casquillo Eje Grifo           | Tap Shaft Cap                  | 03001500 |
| 8   | Casquillo Eje Grifo Niquelado | Nickel Plated Tap Shaft Shaft  | 03001518 |
| 9   | Junta Tórica                  | O-Ring                         | 02476703 |
| 10  | Racord Cuerpo Grifo           | Tap Body Fitting               | 07358609 |
| 10  | Racord Cuerpo Grifo Niquelado | Nickel Plated Tap Body Fitting | 07358617 |
| 11  | Arandela                      | Washer                         | 07412509 |
| 12  | Tuerca 1/2" G                 | 1/2" G Nut                     | 05060600 |
| 13  | Muelle Pomo                   | Knob Spring                    | 08018707 |
| 14  | Arandela 22,5x29x1,5 Latón    | Brass 22,5x29x1,5 Washer       | 07413107 |
| 15  | Casquillo Pomo                | Knob Cap                       | 08185804 |
| 16  | Arandela 21,5x32x0,5 Inox     | Inox 21,5x32x0 Washer          | 07414501 |
| 17  | Pasador 2x12 DIN 94           | DIN 94 2x12 Pin                | 05160007 |
| 18  | Pomo Grifo Negro              | Black Tap                      | 08335400 |
| 19  | Pegatina Vapor                | Steam Sticker                  | 08147804 |
| 20  | Arandela Teflón               | Teflon Washer                  | 05132808 |
| 21  | Muelle Rótula                 | Ball Joint Spring              | 08165300 |
| 22  | Arandela                      | Washer                         | 08165508 |
| 23  | Tope Rótula                   | Ball Joint Top                 | 08397800 |
| 24  | Junta Tórica                  | O-Ring                         | 07763204 |
| 25  | Inserto Tuerca Rótula         | Ball Joint Nut Insert          | 08479900 |
| 26  | Tubo Salida Vapor             | Outlet Steam Tube              | 08340300 |
| 27  | Tuerca Rótula                 | Ball Joint Nut                 | 08165130 |
| 28  | Protector Tubo Vapor          | Steam Tube Protector           | 09000586 |
| 29  | Ducha Vapor M10               | M10 Steam Shower               | 08391900 |

# Cjto Sonda Vapor Automática (\*SM) Automatic Steam Tap (\*ATM)



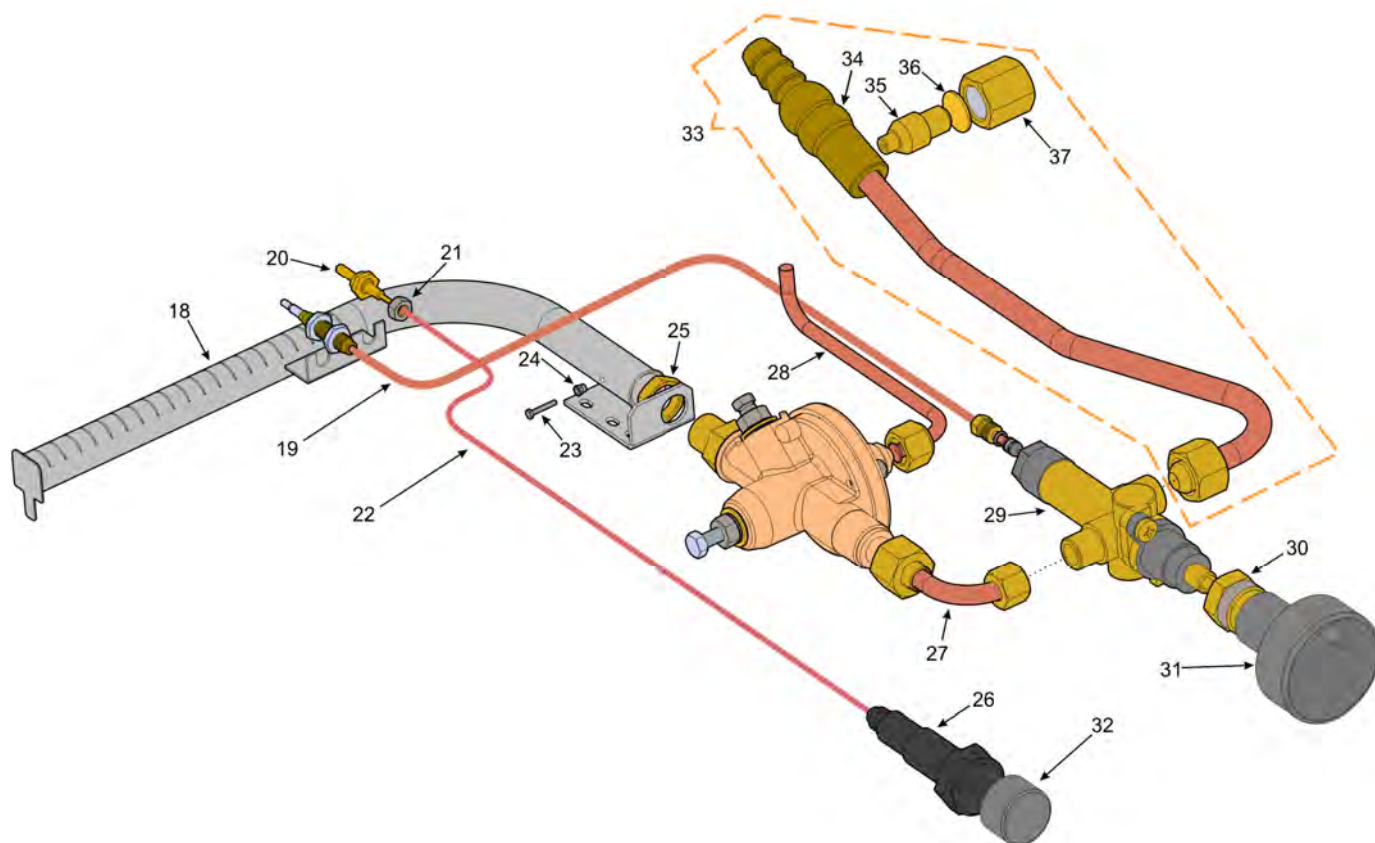
| Pos | DENOMINACION   | DESCRIPTION   | REF.     |
|-----|--|---|----------|
| 1   | Cjto Sonda Vapor Automática (Máq 1 o 2 Gr)           | Automatic Steam Tap (1 or 2 Gr Machine)               | 08448540 |
| 1   | Cjto Sonda Vapor Automática Niquelado (Máq 1 o 2 Gr) | Nickel Plated Automatic Steam Tap (1 or 2 Gr Machine) | 08448580 |
| 1   | Cjto Sonda Vapor Automática (Máq 3 o 4 Gr)           | Automatic Steam Tap (3 or 4 Gr Machine)               | 08448550 |
| 1   | Cjto Sonda Vapor Automática Niquelado (Máq 3 o 4 Gr) | Nickel Plated Automatic Steam Tap (3 or 4 Gr Machine) | 08448590 |
| 2   | Tuerca Prensa  | Press Nut   | 08449200 |
| 3   | Junta Tórica 17,2x2,62                               | 17,2x2,62 O-Ring                                      | 07581408 |
| 4   | Arandela Prensa                                      | Press Washer  | 08449000 |
| 5   | Junta Tórica 23,52x1,78                              | 23,52x1,78 O-Ring                                     | 08449300 |
| 6   | Arandela Apoyo                                       | Support washer  | 08448900 |
| 7   | Racord Sonda Vapor                                   | Automatic Steam Tap Fitting                           | 08462400 |
| 7   | Racord Sonda Vapor Niquelado                         | Nickel Plated Automatic Steam Tap Fitting             | 08462410 |
| 8   | Cuerpo Sonda Vapor                                   | Automatic Steam Tap Main Body                         | 08448600 |
| 8   | Cuerpo Sonda Vapor Niquelado                         | Nickel Plated Automatic Steam Tap Main Body           | 08448610 |
| 9   | Pasador Inox   | Inox Pin  | 05005500 |
| 10  | Arandela 10,2x16x1,5                                 | 10,2x16x1,5 Washer                                    | 07411600 |
| 11  | Tapón 1/8"   | 1/8" Tap  | 08457600 |
| 11  | Tápón 1/8" Niquelado                                 | Nickel Plated 1/8" Tap                                | 08457610 |
| 12  | Tornillo M3x14                                       | M3x14 Screw   | 04550600 |
| 13  | Tubo Sonda Vapor (Máquinas 1 o 2 Gr)                 | Automatic Steam Tap Tube (1 or 2 Gr Machines)         | 08449100 |
| 13  | Tubo Sonda Vapor Niquelado (Máquinas 1 o 2 Gr)       | Nickel Plated Automatic Steam Tap Tube (1 or 2 Gr M)  | 08448580 |
| 13  | Tubo Sonda Vapor (Máquinas 3 o 4 Gr)                 | Automatic Steam Tap Tube (3 or 4 Gr Machines)         | 08449110 |
| 13  | Tubo Sonda Vapor Niquelado (Máquinas 3 o 4 Gr)       | Nickel Plated Automatic Steam Tap Tube (3 or 4 Gr M)  | 08448590 |
| 14  | Protector Tubo Vapor M10                             | M10 Steam Tube Protector                              | 09000586 |
| 15  | Cjto Ducha Vapor M10                                 | M10 Steam Sensor Shower Assy                          | 08391910 |
| 16  | Espiga Hembra 1/8"G                                  | 1/8" G Spigot   | 08498600 |
| 17  | Racord 1/4"  | 1/4" Fitting  | 08416300 |
| 18  | Arandela de Cobre 13,5x17,5x1,5 (Máquinas 3 Gr)      | 13,5x17,5x1,5 Copper Washer (3 Gr Machines)           | 01626804 |
| 19  | Anillo Orientable 1500 8/6"-1/8" (Máquinas 3 Gr)     | 8/6"-1/8" 1500 Adjustable Ring (3 Gr Machines)        | 08416000 |
| 20  | Tornillo Giratorio 1/8" (Máquinas 3 Gr)              | 1/8" Rotating Screw (3 Gr Machines)                   | 08504400 |
| 21  | Racord 8/6" - 1/4" (Máquinas 2 Gr)                   | 8/6" - 1/4" Fitting (2 Gr Machines)                   | 08488700 |
| 22  | Tuerca 1/2" G  | 1/2" G Nut  | 05060600 |
| 23  | Racord 8/6" - 1/8"                                   | 8/6"-1/8" Fitting                                     | 08463000 |

## Conjunto Gas (1/2) (\*SM) Gas Assembly (1/2) (\*ATM)



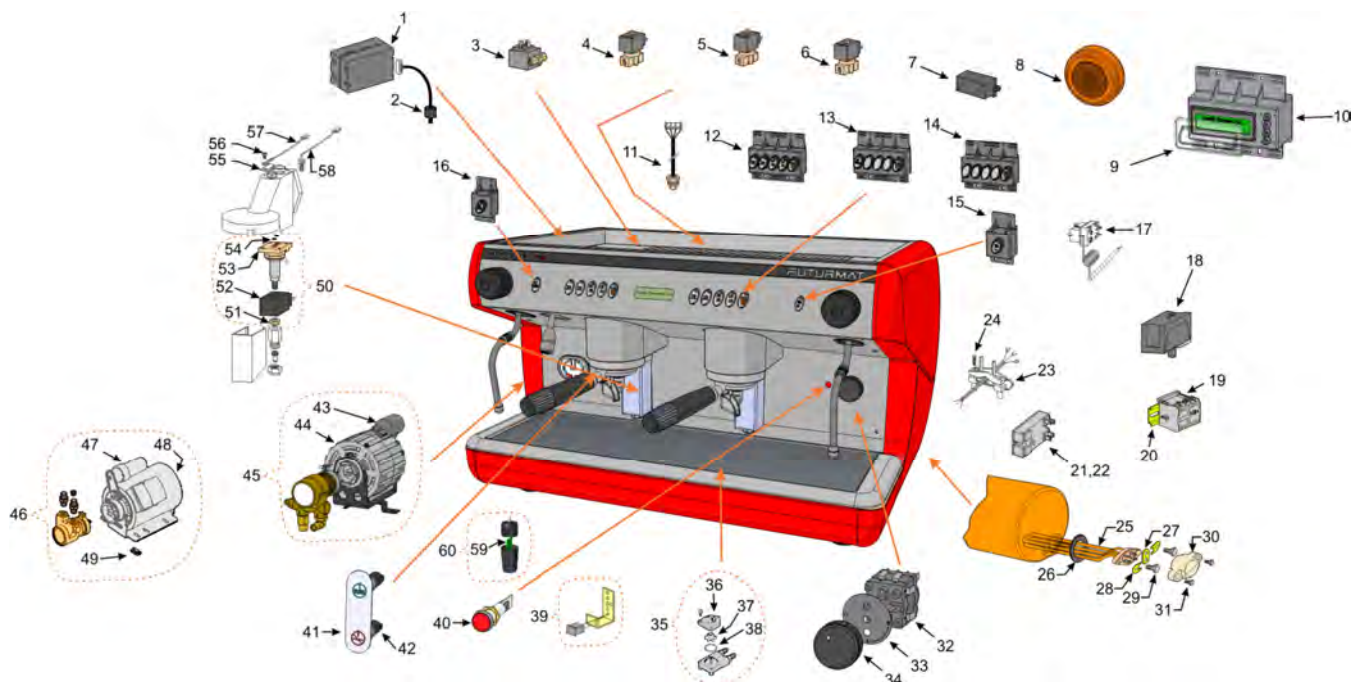
| Pos | DENOMINACION                             | DESCRIPTION                               | REF.     |
|-----|--|---|----------|
| 1   | Cjto Automático Gas                      | Automatic Gas Assembly                    | 08654700 |
| 2   | Tornillo M4x10                           | M4x10 Screw                               | 04134912 |
| 3   | Tapa Automático Gas                      | Automatic Gas Assembly Cover              | 01742717 |
| 4   | Membrana                                 | Membrane                                  | 00290601 |
| 5   | Cuerpo Cierre                            | Closing Body                              | 00290304 |
| 6   | Junta Tórica                             | O-Ring                                    | 01826502 |
| 7   | Muelle                                   | Spring                                    | 00290403 |
| 8   | Guía del Muelle                          | Spring Guide                              | 00290502 |
| 9   | Cuerpo Automático Gas                    | Automatic Gas Main Body                   | 01742618 |
| 10  | Arandela Junta                           | Gasket Washer                             | 02662104 |
| 11  | Arandela 6,5x10,5 Latón                  | 6,5x10,5 Brass Washer                     | 04715801 |
| 12  | Arandela Dentada                         | Toothed Washer                            | 04318309 |
| 13  | Tuerca DIN 934 M6                        | DIN 934 M6 Nut                            | 04127817 |
| 14  | Tornillo de Regulación                   | Regulation Screw                          | 02509909 |
| 15  | Racord Conexión Gas                      | Gas Connection Fitting                    | 08653400 |
| 16  | Inyector Gas Propano-Butano Ø0,75 (2 Gr) | Propane-Butane Ø0,75 Gas Injector (3 Gr)  | 08047805 |
| 16  | Inyector Gas Propano-Butano Ø0,85 (3 Gr) | Propane-Butane Ø0,85 Gas Injector (3 Gr)  | 08047904 |
| 16  | Inyector Gas Natural Ø 1,2 (3 Grupos)    | Natural Gas Ø1,2 Gas Injector (3 Groups)  | 08048308 |
| 16  | Inyector Gas Natural Ø 1,15 (2 Grupos)   | Natural Gas Ø1,15 Gas Injector (2 Groups) | 08048209 |
| 17  | Tornillo DIN 933 M6x10                   | DIN 933 M6x10 Screw                       | 04104816 |

## Conjunto Gas (2/2) (\*SM) Gas Assembly (2/2) (\*ATM)



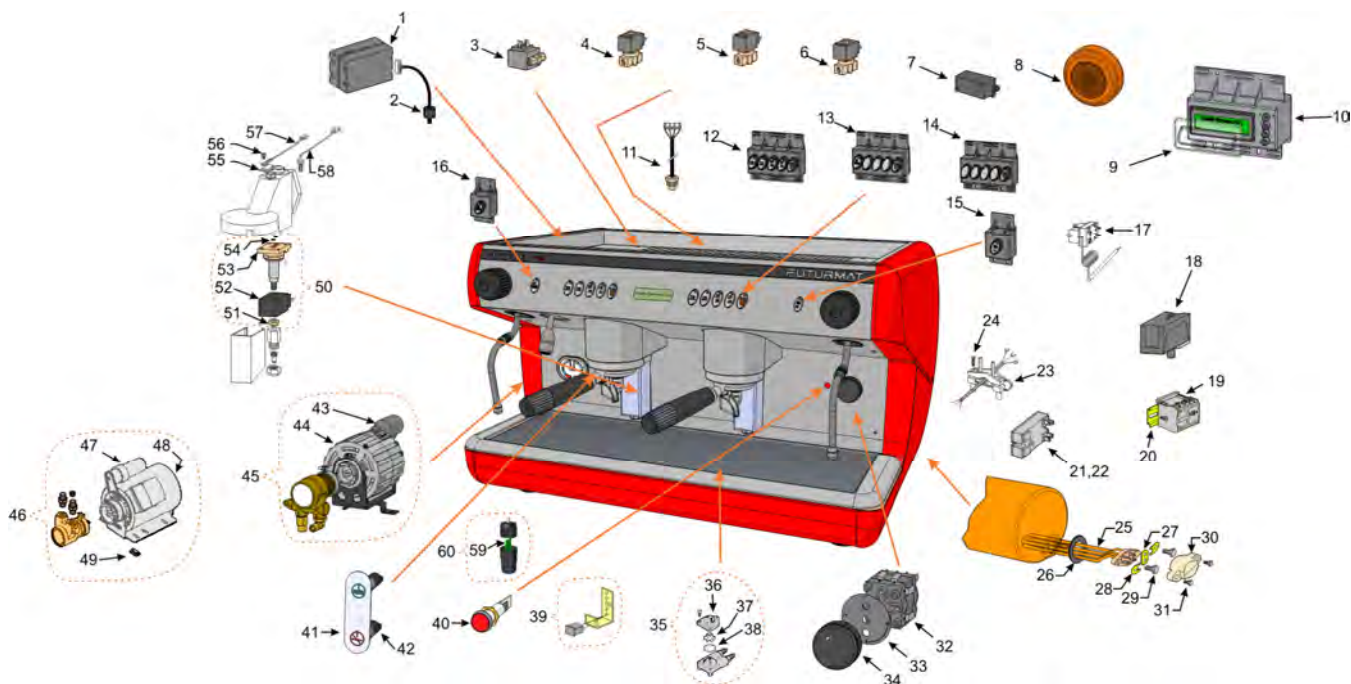
| Pos | DENOMINACION                   | DESCRIPTION                       | REF.        |
|-----|--------------------------------|-----------------------------------|-------------|
| 18  | Quemador 2 Gr                  | 2 Gr Machine Gas Burner           | 07850712    |
| 18  | Quemador 3 Gr                  | 3 Gr Machine Gas Burner           | 07850820    |
| 19  | Termopar                       | Thermocouple                      | 07824105    |
| 20  | Bujía                          | Spark Plug                        | 0561/060103 |
| 21  | Tuerca M8x0,75                 | M8x0,75 Nut                       | 04339412    |
| 22  | Cable Bujía                    | Spark Plug Cable                  | 07859903    |
| 23  | Tornillo M4                    | M4 Screw                          | 04101217    |
| 24  | Tuerca M4                      | M4 Nut                            | 04127619    |
| 25  | Tuerca 3/8" Gas                | 3/8" Gas Nut                      | 04531505    |
| 26  | Encendedor                     | Gas Lighter                       | 07858400    |
| 27  | Tubo Grifo Automático Gas 1 Gr | 2 Gr Machine Automatic Gas Tube   | 08358000    |
| 28  | Tubo Caldera a Automático Gas  | Boiler to Automatic Gas Assy Tube | 08357900    |
| 29  | Grifo Gas                      | Gas Tap                           | 07451610    |
| 30  | Tuerca Grifo Gas               | Gas Tap Nut                       | 08099300    |
| 31  | Embellecedor Pomo              | Knob Trim                         | 08614500    |
| 32  | Pomo Encendedor                | Lighter Knob                      | 08614400    |
| 33  | Tubo Entrada Gas               | Gas Inlet Tube                    | 08653200    |
| 34  | Boquilla Gas                   | Gas Suction Nozzle                | 08653300    |
| 35  | Inyector Toma Presión          | Gas Inlet Injector                | 08653100    |
| 36  | Disco de Cierre                | Closing Disk                      | 07412703    |
| 37  | Tuerca de Cierre               | Closing Nut                       | 08665300    |

## Componentes Eléctricos (1/3) Electric Components (1/3)



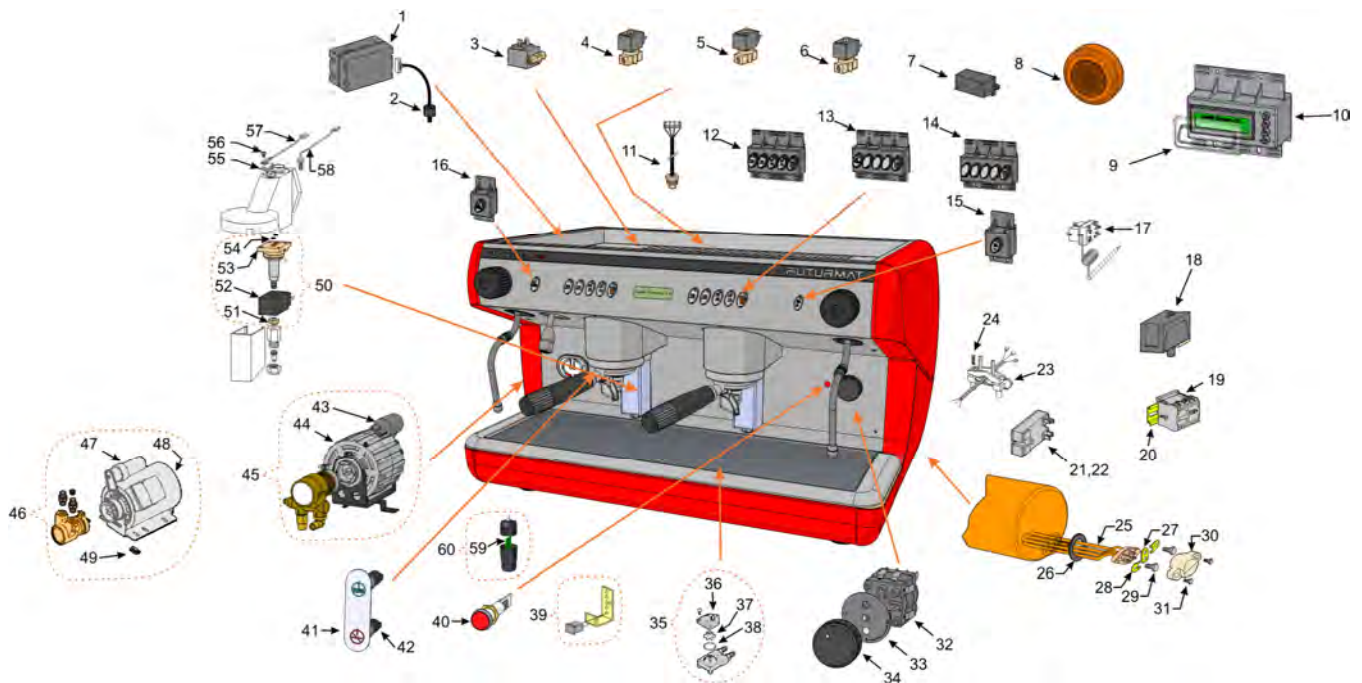
| Pos | DENOMINACION                                 | DESCRIPTION                                       | 1GR | 2GR                         | 3GR      | 4GR |
|-----|--|---|-----|-----------------------------|----------|-----|
| 1   | Centralita                                   | Mainboard   |     | Ver página 23 / See Page 23 |          |     |
| 2   | Filtro Antiparasitario                       | Noise Filter                                      | X   | 08297200                    | 08297300 | X   |
| 3   | Electroválvula Nivel Agua 230 V              | 230 V Water Level Solenoid Valve                  |     |                             | 08368500 |     |
| 3   | Electroválvula Nivel Agua 230 V UL (*SM)     | UL 230 V Water Level Solenoid Valve (*ATM)        |     |                             | 08239105 |     |
| 3   | Electroválvula Nivel Agua 115 V (*SM)        | 115 V Water Level Solenoid Valve (*ATM)           |     |                             | 08368510 |     |
| 3   | Electroválvula Nivel Agua 115 V UL (*SM)     | UL 115 V Water Level Solenoid Valve (*ATM)        |     |                             | 08239204 |     |
| 4   | Electroválvula Salida Agua 230 V             | 230 V Outlet Water Solenoid Valve                 |     | 0611/060113                 |          |     |
| 4   | Electroválvula Salida Agua 230 V UL (*SM)    | UL 230 V Outlet Water Solenoid Valve (*ATM)       |     | 0611/062113                 |          |     |
| 4   | Electroválvula Salida Agua 115 V (*SM)       | 115 V Outlet Water Solenoid Valve (*ATM)          |     | 0611/060213                 |          |     |
| 4   | Electroválvula Salida Agua 115 V UL (*SM)    | UL 115 V Outlet Water Solenoid Valve (*ATM)       |     | 0611/061213                 |          |     |
| 5   | Electroválvula 24 V (Máquinas Groupronic®)   | 24 V Solenoid Valve (Groupronic® M.)              |     | 08415300                    |          |     |
| 6   | Electroválvula Salida Vapor 230 V (*SM)      | 230 V Steam Tap Solenoid Valve (*ATM)             |     | 08481300                    |          |     |
| 7   | Centralita (Máquinas Groupronic®)            | Mainboard (Groupronic® Machines)                  |     | 08414500                    |          |     |
| 8   | Transformador (Máquinas Groupronic®)         | Transformer (Groupronic® Machines)                |     | 08414800                    |          |     |
| 9   | Protector Display (*SM)                      | Display Protector (*ATM)                          |     | 08331610                    |          |     |
| 10  | Display Azul (*SM)                           | Blue Display (*ATM)                               |     | 08372020                    |          |     |
| 10  | Display Verde (Máquinas sin Nivel Óptico)    | Green Display (Machines w/o Optical Level)        |     | 08372010                    |          |     |
| 10  | Display Verde (Máquinas con Nivel Óptico)    | Green Display (Machines with Optical Level)       |     | 08372000                    |          |     |
| 11  | Cjto Sonda Temperatura (*SM)                 | Boiler Temperature Sensor Assy (*ATM)             |     | 08370510                    |          |     |
| 11  | Cjto Sonda Temperatura (Máq Nivel Óptico)    | Boiler Temp Sensor Assy (M. with Optical Level)   |     | 08370500                    |          |     |
| 12  | Botonera LEDs Blancos                        | White LEDs Push Button Assy                       |     | 08330710                    |          |     |
| 12  | Botonera LEDs Rojos                          | Red LEDs Push Button Assy                         |     | 08330700                    |          |     |
| 12  | Kit Botones                                  | Buttons Kit                                       |     | 08330900                    |          |     |
| 13  | Botonera Grupo Izq LEDs Blancos (M. Semiaut) | L Group White LEDs Push Button Assy (Semiaut. M)  |     | 08336910                    |          |     |
| 13  | Botonera Grupo Izq LEDs Rojos (M. Semiaut)   | Left Group Red LEDs Push Button Assy (Semiaut. M) |     | 08336900                    |          |     |
| 14  | Botonera LEDs Blancos (M. Semiautomática)    | White LEDs Push Button Assy (Semiaut. M.)         |     | 08337000                    |          |     |
| 14  | Botonera LEDs Rojos (M. Semiautomática)      | Red LEDs Push Button Assy (Semiaut. M.)           |     | 08337010                    |          |     |
| 15  | Botonera Sonda Vapor Automática (*SM)        | Automatic Steam Sensor P.Button Assy (*ATM)       |     | 08373110                    |          |     |
| 15  | Botonera Calientatazas LED Blanco (*SM)      | White LED Cups Warmer P.Button Assy (*ATM)        |     | 08332610                    |          |     |
| 15  | Botonera Calientatazas LED Rojo (*SM)        | Red LED Cups Warmer P.Button Assy (*ATM)          |     | 08332600                    |          |     |
| 15  | Botonera Calientat.+Display LED Blanco       | White LED C.Warmer+Display P.Button Assy          |     | 08332620                    |          |     |
| 15  | Botonera Calientat.+Display LED Rojo         | Red LED C.Warmer+Display P.Button Assy            |     | 08373100                    |          |     |
| 16  | Cjto Pulsador Agua Caliente LED Blanco       | White LED Hot Water Push Button Assy              |     | 08331910                    |          |     |
| 16  | Cjto Pulsador Agua Caliente LED Rojo         | Red LED Hot Water Push Button Assy                |     | 08331900                    |          |     |
| 17  | Termostato                                   | Thermostat  |     | 07476906                    |          |     |
| 17  | Termostato (Máquinas UL)                     | Thermostat (UL Machines)                          |     | 08324600                    |          |     |
| 18  | Presostato                                   | Pressure Switch                                   |     | 07935703                    |          |     |
| 19  | Contactador 230 V 50/60 Hz                   | 230 V 50/60 Hz Contactor                          |     | 0651/060119                 |          |     |
| 19  | Contactador 115 V 60 Hz                      | 115 V 60 Hz Contactor                             |     | 08251001                    |          |     |
| 20  | Soporte Contactador                          | Contactador Support                               |     | 08220808                    |          |     |

## Componentes Eléctricos (2/3) Electric Components (2/3)



| Pos | DENOMINACION                                  | DESCRIPTION                                   | 1GR                       | 2GR                       | 3GR                       | 4GR                       |
|-----|---|---|---------------------------|---------------------------|---------------------------|---------------------------|
| 21  | Relé Estático                                 | Static Relay                                  |                           | 08371300                  |                           |                           |
| 22  | Conductor de Calor Relé                       | Static Relay Heat Conductive                  |                           | 08485100                  |                           |                           |
| 23  | Brida Cable Red                               | Cable Clamp                                   |                           | 07824305                  |                           |                           |
| 24  | Tornillo 3,5x25 DIN 7971                      | DIN 7971 3,5x25 Screw                         |                           | 04789913                  |                           |                           |
| 25  | Resistencia 230 V                             | 230 V Heating Element                         | 08024804 <sup>3000W</sup> | 08148002 <sup>3500W</sup> | 08335100 <sup>4600W</sup> | 02212637 <sup>5000W</sup> |
| 25  | Resistencia 230 V (*SM)                       | 230 V Heating Element (*ATM)                  |                           | X                         | 08480200 <sup>5500W</sup> | X                         |
| 25  | Resistencia 115 V                             | 115 V Heating Element                         | 08217606 <sup>1500W</sup> | 07949902 <sup>2600W</sup> |                           | X                         |
| 26  | Junta Resistencia                             | Heating Element Gasket                        |                           | 00165209                  |                           |                           |
| 26  | Junta Resistencia (UL)                        | Heating Element Gasket (UL)                   |                           | 08194608                  |                           |                           |
| 27  | Puente Resistencia                            | Heating Element Terminal                      |                           | 01407212                  |                           |                           |
| 28  | Arandela Protector                            | Protector Gasket                              |                           | 08205502                  |                           |                           |
| 29  | Tornillo 3/8" G                               | 3/8" G Screw                                  |                           | 04122115                  |                           |                           |
| 30  | Protector Resistencia                         | Heating Element Protector                     |                           | 0551/060121               |                           |                           |
| 31  | Tornillo Autorroscante                        | Self-Tapping Screw                            |                           | 04821906                  |                           |                           |
| 32  | Interruptor General                           | Main Switch                                   |                           | 07847908                  |                           |                           |
| 32  | Interruptor General (Máq con Calientatazas)   | Main Switch (Machines with Cup Warmer)        |                           | 07847910                  |                           |                           |
| 33  | Adhesivo Interruptor General                  | Main Switch Sticker                           |                           | 08283202                  |                           |                           |
| 34  | Pomo Interruptor General                      | Main Switch Knob                              |                           | 08336100                  |                           |                           |
| 35  | Contador Volumétrico                          | Flowmeter                                     |                           | 08307500                  |                           |                           |
| 35  | Contador Volumétrico Digimesa                 | Digimesa Flowmeter                            |                           | 08307500D                 |                           |                           |
| 36  | Tapa Contador Volumétrico                     | Flowmeter Lid                                 |                           | 08307500A                 |                           |                           |
| 36  | Tapa Contador Volumétrico Digimesa            | Digimesa Flowmeter Lid                        |                           | 08307500DA                |                           |                           |
| 37  | Aspa Contador Volumétrico                     | Flowmeter Reel                                |                           | 0571/050126A              |                           |                           |
| 38  | Junta Tórica                                  | O-Ring  |                           | 0571/050131               |                           |                           |
| 39  | Contador Cafés Mecánico (Opcional)            | Mechanical Coffee Counter (Optional)          |                           | NT0913                    |                           |                           |
| 40  | Piloto  | Light   |                           | 08329800                  |                           |                           |
| 41  | Etiqueta Nivel                                | Water Level Sticker                           |                           | 08456700                  |                           |                           |
| 42  | Cjto LED Nivel                                | Water Level LED Assy                          |                           | 08456900                  |                           |                           |
| 43  | Condensador 4 mf 400/500 V                    | 4 mf 400/500 V Capacitor                      |                           | 01123000                  |                           |                           |
| 43  | Condensador 16 mf 115 V                       | 16 mf 115 V Capacitor                         |                           | 01123100                  |                           |                           |
| 44  | Motor Bomba 230 V                             | 230 V Water Pump Engine                       |                           | 08354900                  |                           |                           |
| 44  | Motor Bomba 230 V UL                          | 230 V UL Water Pump Engine                    |                           | 08354930                  |                           |                           |
| 44  | Motor Bomba 115 V 60 Hz                       | 115 V 60 Hz Water Pump Engine                 |                           | 08354940                  |                           |                           |
| 45  | Cjto Motor Bomba 230 V Inox (Incl.Tubo L-220) | 230 V Inox Water Pump Assy (L-220 Tube Incl.) |                           | 08654500                  |                           |                           |
| 45  | Cjto Motor Bomba 230 V (Incl.Tubo L-220)      | 230 V Water Pump Assy (L-220 Tube Incl.)      |                           | 08341500                  |                           |                           |
| 45  | Cjto Motor Bomba 230 V UL (Incl.Tubo L-220)   | 230 V UL Water Pump Assy (L-220 Tube Incl.)   |                           | 08341540                  |                           |                           |
| 45  | Cjto Motor Bomba 115 V (Incl.Tubo L-220)      | 115 V Water Pump Assy (L-220 Tube Incl.)      |                           | 08341520                  |                           |                           |
| 45  | Cjto Motor Bomba 115 V UL (Incl.Tubo L-220)   | 115 V UL Water Pump Assy (L-220 Tube Incl.)   |                           | 08341550                  |                           |                           |

## Componentes Eléctricos (3/3) Electric Components (3/3)



| Pos | DENOMINACION                                 | DESCRIPTION                                | 1GR | 2GR      | 3GR         | 4GR |
|-----|--|--|-----|----------|-------------|-----|
| 46  | Cj Electrobomba Exterior 230 V 50 Hz         | 230 V 50 Hz Exterior Water Pump Assy       |     |          | NT0001      |     |
| 46  | Cj Electrobomba Exterior 230 V 60 Hz         | 230 V 60 Hz Exterior Water Pump Assy       |     |          | NT0201      |     |
| 46  | Cj Electrobomba Exterior 115 V               | 115 V Exterior Water Pump Assy             |     |          | NT0101      |     |
| 47  | Condensador 8 mf 230 V                       | 8 mf 230 V Capacitor                       |     |          | 08127200    |     |
| 47  | Condensador 25 mf 115 V                      | 25 mf 115 V Capacitor                      |     |          | 08127300    |     |
| 48  | Motor 230 V 50 Hz                            | 230 V 50 Hz Engine                         |     |          | 08080308    |     |
| 48  | Motor 230 V 60 Hz                            | 230 V 60 Hz Engine                         |     |          | 08083107    |     |
| 48  | Motor 115 V 60 Hz                            | 115 V 60 Hz Engine                         |     |          | 08082802    |     |
| 49  | Pie Electrobomba Exterior                    | External Water Pump Foot                   |     |          | 08083206    |     |
| 50  | Electroválvula 230 V Parker                  | 230 V Parker Solenoid Valve                |     |          | 07976608    |     |
| 50  | Electroválvula 230 V ODE                     | 230 V ODE Solenoid Valve                   |     |          | 07976608-S  |     |
| 50  | Electroválvula 230 V (UL)                    | 230 V (UL) Solenoid Valve                  |     |          | 08194814    |     |
| 50  | Electroválvula 115 V Parker                  | 115 V Parker Solenoid Valve                |     |          | 07976509    |     |
| 50  | Electroválvula 115 V (UL)                    | 115 V (UL) Solenoid Valve                  |     |          | 08194806    |     |
| 51  | Tuerca Sujeción Electroválvula               | Solenoid Valve Support Nut                 |     |          | 04725106    |     |
| 52  | Bobina 230 V Parker                          | 230 V Parker Coil                          |     |          | 01181008    |     |
| 52  | Bobina 230 V ODE                             | 230 V ODE Coil                             |     |          | 01182609    |     |
| 52  | Bobina 115 V Parker                          | 115 V Parker Coil                          |     |          | 08124300    |     |
| 52  | Bobina 115 V ODE                             | 115 V ODE Coil                             |     |          | 01182807    |     |
| 53  | Electroválvula sin Bobina Parker             | Parker Solenoid Valve without Coil         |     |          | 01182302    |     |
| 53  | Electroválvula sin Bobina ODE                | ODE Solenoid Valve without Coil            |     |          | 01182500    |     |
| 54  | Junta Tórica                                 | O-Ring                                     |     |          | 03061009    |     |
| 55  | Conductor de Calor (Máquinas Grouptronic®)   | Heat Conductive (Grouptronic® Machines)    |     |          | 08485000    |     |
| 56  | Tornillo M4x10 (Máquinas Grouptronic®)       | M4x10 Screw (Grouptronic® Machines)        |     |          | 0561/030109 |     |
| 57  | Cable Temperatura Actual (M. Grouptronic®)   | Actual Temperature Cable (Grouptronic® M.) | X   | 08635400 | 08635500    | X   |
| 58  | Cable Temperatura Anterior (M. Grouptronic®) | Old Temperature Cable (Grouptronic® M.)    | X   | 08417900 | 08418000    | X   |
| 59  | Antena + Cable M2M (*SM)                     | M2M Antenna + Cable (*ATM)                 |     |          | 08668800    |     |
| 60  | Cjto Pie M2M (*SM)                           | M2M Foot Assy (*ATM)                       |     |          | 08668900    |     |

# Cableado Eléctrico

## Electric Cabling

| DENOMINACION   | DESCRIPTION  | 1GR      | 2GR      | 3GR         | 4GR      |
|--|--|----------|----------|-------------|----------|
| Cjto Instalación   | Installation Cable                                   |          |          | 08306700    |          |
| Cjto Instalación (Máqs con Calientatazas)                | Installation Cable (Cup Warmer M.)                   |          |          | 08306750    |          |
| Cjto Instalación UL                                      | UL Installation Cable                                |          |          | 08306710    |          |
| Cjto Instalación 115 V                                   | 115 V Installation Cable                             |          |          | 08306770    |          |
| Cjto Instalación (Máq Display/Grouptronic®)              | Installation Cable (Display/Grouptronic® M.)         |          |          | 08418900    |          |
| Cjto Instalación UL (M. Display/Grouptronic®)            | UL Installation Cable (Display/Grouptronic® M.)      |          |          | 08453100    |          |
| Cjto Instalación (Máq Display + Calientatazas) 2017      | Installation Cable (Display + Cups Warmer M.) 2017   |          |          | 08585500    |          |
| Cjto Instalación UL (Máq con Calientatazas)              | Installation Cable UL (Cup Warmer M.)                |          |          | 08666100    |          |
| Cable General (Máquinas Electrónicas)                    | General Cable (Electronic Machines)                  | 08445400 | 08445500 | 08445600    | 08445700 |
| Cable General UL   | UL General Cable                                     | 08451500 | 80424400 |             | X        |
| Cable General (M. Electrónicas + Calientatazas) pre 2017 | General Cable (Electronic + Cups Warmer M.)pre 2017  | X        | 08445800 | 08445900    | X        |
| Cable General (M Electrónicas + Display)                 | General Cable (Electronic + Display M)               | X        | 08370800 | 08370900    | X        |
| Cable General (M Electrónicas + Display) ETL             | ETL General Cable (Electronic + Display M)           | X        | 08619000 | 08611900    | X        |
| Cable General (M Display + Grouptronic®)                 | General Cable (Display + Grouptronic® M.)            | X        | 08418200 | 08418300    | X        |
| Cable General (M Display + Grouptronic®) ETL             | ETL General Cable (Display + Grouptronic® M.)        | X        | 08559400 | 08600000    | X        |
| Cable General (M. Display + Calientatazas)pre 2017       | General Cable (Display + Cups Warmer M.)pre 2017     | X        | 08379900 | 08380000    | X        |
| Cable General (M. Display + Grouptronic®+ Sonda Vap.)    | G.Cable (Display + Grouptronic® + Aut. S.Tap)        | X        | 08463900 | 08464000    | X        |
| Cable General (Display + Grouptronic®+ Sonda Vap.) ETL   | G.Cable (Display + Grouptronic® + Aut. S.Tap) ETL    | X        | 08463910 | 08464010    | X        |
| Cable General (M. Sonda Vapor Automática)                | General Cable (Automatic Steam Tap M.)               | X        | 08497700 | 08497800    | 08497900 |
| Cable General UL   | UL General Cable                                     | X        | 08453800 | 08610000    |          |
| Cable General Grouptronic® (*SM)                         | Grouptronic® General Cable (*ATM)                    | X        | 08453500 | 08453600    | X        |
| Cable General (Máquinas Semiautomáticas)                 | General Cable (Semiautomatic Machines)               | 08444800 | 08444900 | 08445000    | 08445100 |
| Cable General (M Semiautom. + Calientatazas) pre 2017    | General Cable (Semiautom. + Cups Warm M.) pre 2017   | X        | 08445200 | 08445300    | X        |
| Cable Botonera (Máq Electrónicas)                        | Push Button Cable (Electronic Machines)              | 08348300 | 08348400 | 08348500    | 08348600 |
| Cable Botonera (Máq Electrónica Display)                 | Push Button Cable (Electronic + Display M.)          | X        | 08348700 | 08348800    | X        |
| Cable Botonera (M. Electrónica + Calientatazas)          | Push Button Cable (Elec. + Cups Warmer M.)           | X        | 08364200 | 08364300    | X        |
| Cable Botonera (Máquinas Grouptronic®)                   | Push Button Cable (Grouptronic® Machines)            | X        | 08348710 | 08348810    | X        |
| Cable Botonera (M. Display + Grouptronic®+ Sonda Vap.)   | P.Button Cable (Display + Grouptronic® + Aut. S.Tap) | X        | 08610700 | 08610800    | X        |
| Cable Botonera (M. Display + Sonda Vap./Calientatazas)   | P.Button Cable (Display + Aut.S.Tap/Cups W.)         | X        | 08380100 | 08380200    | 08509200 |
| Cable Botonera (Máquinas Semiautomáticas)                | Push Button Cable (Semiautomatic M.)                 | 08351000 | 08351100 | 08351200    | 08351300 |
| Cable Botonera (M Semiautomáticas + Calientatazas)       | Push Button Cable (Semiaut. + Cups Warm M.)          | X        | 08364000 | 08364100    | X        |
| Cable Electroválvulas Grouptronic®                       | Grouptronic® Solenoid Valves Cable                   | X        | 08418600 | 08418700    | X        |
| Cable Termostato Calientatazas (*SM)                     | Cups Warmer Thermostat Cable (*ATM)                  |          |          | 08368310    |          |
| Cable Termostato Calientatazas ETL (*SM)                 | ETL Cups Warmer Thermostat Cable (*ATM)              |          |          | 08453710    |          |
| Cable Contactor Termostato                               | Thermostat Contactor Cable                           |          |          | 08453710    |          |
| Cable Contador a Display (*SM)                           | Flowmeter to Display Cable (*ATM)                    | X        | 08371000 | 08371100    | 08465700 |
| Cable Contador a Display ETL (*SM)                       | ETL Flowmeter to Display Cable (*ATM)                |          | X        | 08600100    | X        |
| Cable Contador / Presostato / Resistencia UL             | Flowmeter/Pressure Switch/Heating Element UL Cable   |          |          | 08316900    |          |
| Cable Entrada Red 230 V ETL (*SM)                        | 230 V ETL Electricity Inlet Cable (*ATM)             |          |          | 0651/060117 |          |
| Cable Entrada Red 115 (*SM)                              | 115 V Electricity Inlet Cable (*ATM)                 |          |          | 08559200    |          |
| Cable Entrada Red 115 V UL (*SM)                         | 115 V UL Electricity Inlet Cable (*ATM)              |          |          | 08606300    |          |
| Cable Termostato - Relé - Resistencia                    | Thermostat - Relay - Heating Element Cable           |          |          | 08370700    |          |
| Cable Contactor - Relé - Resist (M Display UL)           | UL Contactor - Relay - H.Element Cable (Display M.)  | X        |          | 08453200    | X        |
| Cable Puente Piloto (Máquinas Calientatazas)             | Light Cable Terminal (Cups Warm M.)                  | X        |          | 08505400    | X        |
| Cable Bujía (Máquinas Gas)                               | Lighter Cable (Gas Machines)                         | X        |          | 07859903    | X        |
| Clip Moss  | Moss Clip  |          |          | 08368600    |          |
| Brida Cable 2225-1                                       | 2225-1 Cable Fastener                                |          |          | 07896301    |          |
| Abrazadera   | Cable Clamp  |          |          | 08212904    |          |
| Abrazadera Cable Sonda                                   | Cable Clamp  |          |          | 04401800    |          |
| Regleta 115 V (*SM)                                      | 115 V Terminal (*ATM)                                |          |          | 09000265    |          |

## Centralitas y Accesorios Mainboards & Extra Kits



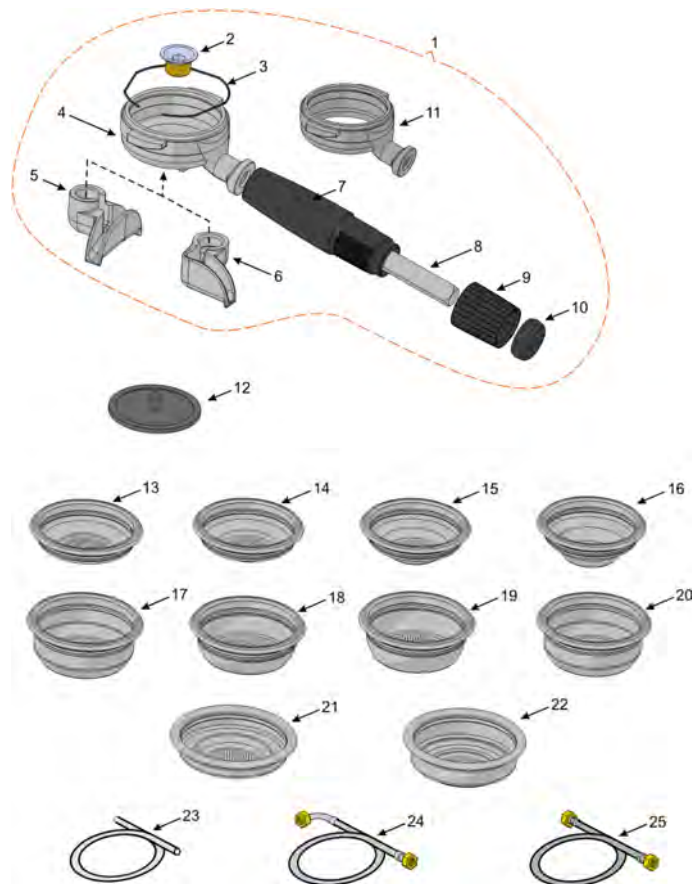
**QUALITY ESPRESSO**  
Capture the Essence

| TIPO DE MÁQUINA                                  | MACHINE TYPE                                 | REF.     |          |          |
|--|--|----------|----------|----------|
|  |  | 115 V    | 230 V    | 200V     |
| Electrónica                                      | Electronic                                   | 08289605 | 08280307 | 08524900 |
| Electrónica + Calientatazas pre 2017             | Electronic ( with Cup Warmer) pre 2017       | X        | 08363900 | X        |
| Electrónica Iluminada                            | Illuminated Electronic                       | X        | 08646000 | X        |
| Electrónica ETL                                  | ETL Electronic                               | 08524810 | 08524610 | X        |
| Display (Nivel Electrónico)                      | Display (with Electronic Water Level)        | X        | 08455700 | X        |
| Display + Calientatazas (Nivel Electrónico)      | Display (with Electronic Water Level)        |          |          |          |
| Display (Nivel Óptico)                           | Display + Cups W. (with Optical Water Level) | X        | 08371720 | X        |
| Display + Calientatazas (Nivel Óptico)           | Display + Cups W. (with Optical Water Level) |          |          |          |
| Cualquier Semiautomática (con Nivel Electrónico) | Any Semiautomatic (with Electronic W Level)  | 08386810 | 08386800 | X        |
| Semiautomática (con Nivel Óptico)                | Semiautomatic (with Optical W Level)         | X        | 08351500 | -        |
| Semiautomática (con Calientatazas) pre 2017      | Semiautomatic (with Cup Warmer)pre 2017      | X        | 08363800 | X        |
| Cualquiera (con Contador Café)                   | Any (with Coffee Counter)                    | -        | 08228900 | -        |
| Cualquiera (con tecnología M2M)                  | Any (with M2M technology)                    | -        | 08668700 | -        |
| MFS292RWQC78                                     | MFS292RWQC78                                 |          | 08765600 |          |

| DENOMINACION           | DESCRIPTION             | REF.     |
|------------------------|-------------------------|----------|
| Kit Contador Cafés     | Coffee Counter Kit      | NT0913   |
| Kit M2M                | M2M Kit                 | NT0989   |
| Kit Vaciado Caldera    | Boiler Emptying Kit     | NT0999   |
| Kit Purgado            | Purge Kit               | 08447700 |
| Pack Purity C-50       | Purity C-50 Pack        | NT0960   |
| Cartucho Purity C-50   | Purity C-50 Cartridge   | NT0961   |
| Pack Purity C-150      | Purity C-150 Pack       | NT0931   |
| Cartucho Purity C-150  | Purity C-150 Cartridge  | NT0932   |
| Pack Purity C-300      | Purity C-300 Pack       | NT0922   |
| Cartucho Purity C-300  | Purity C-300 Cartridge  | NT0923   |
| Pack Purity C-500      | Purity C-500 Pack       | NT0981   |
| Cartucho Purity C-500  | Purity C-500 Cartridge  | NT0982   |
| Pack Purity C-1100     | Purity C-1100 Pack      | NT0998   |
| Cartucho Purity C-1100 | Purity C-1100 Cartridge | NT0997   |
| Cabezal Purity         | Purity Head             | NT0933   |



## Dotaciones Accesorios



| Pos | DENOMINACION                              | DESCRIPTION                                | REF.        |
|-----|---|--|-------------|
| 1   | Cjto Porta Filtros 1 Café                 | 1 Coffee Filter Holder Assy                | 08485800    |
| 1   | Cjto Porta Filtros 1 Café ETL             | ETL 1 Coffee Filter Holder Assy            | 08508900    |
| 1   | Cjto Porta Filtros 2 Cafés                | 2 Coffee Filter Holder Assy                | 08485900    |
| 1   | Cjto Porta Filtros Sin Salida             | No Dispense Nozzle Filter Holder Assy      | 08486700    |
| 1   | Cjto Porta Filtros Perforado              | Drilled Filter Holder Assy                 | 08490000    |
| 2   | Tornillo de Salida                        | Dispense Nozzle Screw                      | 08480100    |
| 3   | Muelle                                    | Spring                                     | 11214301    |
| 4   | Cuerpo Porta Filtros                      | Filter Holder Main Body                    | 08480050    |
| 4   | Cuerpo Porta Filtros ETL                  | ETL Filter Holder Main Body                | 08509000    |
| 4   | Cuerpo Porta Filtros sin Salida           | No Dispense Nozzle Filter Holder Main Body | 08480080    |
| 4   | Cuerpo Porta Filtros Perforado            | Drilled Filter Holder Main Body            | 08480090    |
| 5   | Salida 2 Vías                             | 2 Coffee Dispense Nozzle                   | 08366750    |
| 5   | Salida 2 Vías (Mini)                      | 2 Coffee Mini Dispense Nozzle              | 08559500    |
| 6   | Salida 1 Vía                              | 1 Coffee Dispense Nozzle                   | 08366650    |
| 6   | Salida 1 Vía (Mini)                       | 1 Coffee Mini Dispense Nozzle              | 08571300    |
| 7   | Mango Porta Filtros                       | Filter Holder Handle                       | 08335700    |
| 8   | Eje Mando Porta Filtros                   | Filter Holder Shaft                        | 08335800    |
| 9   | Goma Mando Porta Filtros                  | Filter Holder Handle Protector             | 08335900    |
| 10  | Tapa Mango Porta Filtros                  | Filter Holder Cover                        | 08336000    |
| 11  | Porta Filtros Perforado                   | Naked Filter Holder                        | 08480090    |
| 12  | Tapa Cacillo Limpieza Grupo               | Filter Cleaning Cover                      | 08599500    |
| 13  | Filtro 1 Café Pequeño 6-8 gr              | 1 Coffee Small 6-8 gr Filter               | 08672300    |
| 14  | Filtro 1 Café Pequeño 7-10 gr             | 1 Coffee Small 7-10 gr Filter              | 08672100    |
| 15  | Filtro 1 Café Pequeño 8-12 gr (Estándar)  | 1 Coffee Small 8-12 gr Filter (Standard)   | 08672000    |
| 16  | Filtro 1 Café Grande 10-14 gr             | 1 Coffee Big 10-14 gr Filter               | 08672200    |
| 17  | Filtro 2 Cafés Pequeño 12-14 gr           | 2 Coffee Small 12-14 gr Filter             | 08672400    |
| 18  | Filtro 2 Cafés Mediano 14-16 gr           | 2 Coffee Medium 12-14 gr Filter            | 08672600    |
| 19  | Filtro 2 Cafés Grande 16-20 gr (Estándar) | 2 Coffee Big 16-20 gr Filter (Standard)    | 08672500    |
| 20  | Filtro 2 Cafés Grande 20-25 gr            | 2 Coffee Big 20-25 gr Filter               | 08672700    |
| 21  | Filtro Monodosis 1 Café                   | 1 Coffee Filter Pod                        | 08365000    |
| 22  | Filtro Monodosis 2 Cafés                  | 2 Coffee Filter Pod                        | 08365100    |
| 23  | Tubo Desagüe                              | Water Outlet Tube                          | 08020703    |
| 24  | Tubo Entrada 1600 mm                      | 1600 mm Water Inlet Tube                   | 0551/050112 |
| 25  | Tubo Flexible 710 mm                      | 710 Flexible Water Inlet Tube              | 0571/050108 |



# FUTURMAT

**QUALITY ESPRESSO S.A.**  
Motors, 1 - 9 • 08040 Barcelona, Spain  
**T** +34 932 231 200  
**Export T** +34 933 946 305  
**E** info@qualityespresso.net  
[www.qualityespresso.net](http://www.qualityespresso.net)



**QUALITY ESPRESSO**  
*Capture the Essence*

La empresa se reserva a modificar el contenido de este despiece sin previo aviso.  
The manufacturer reserves the right to modify the content of this spare parts list without notice.