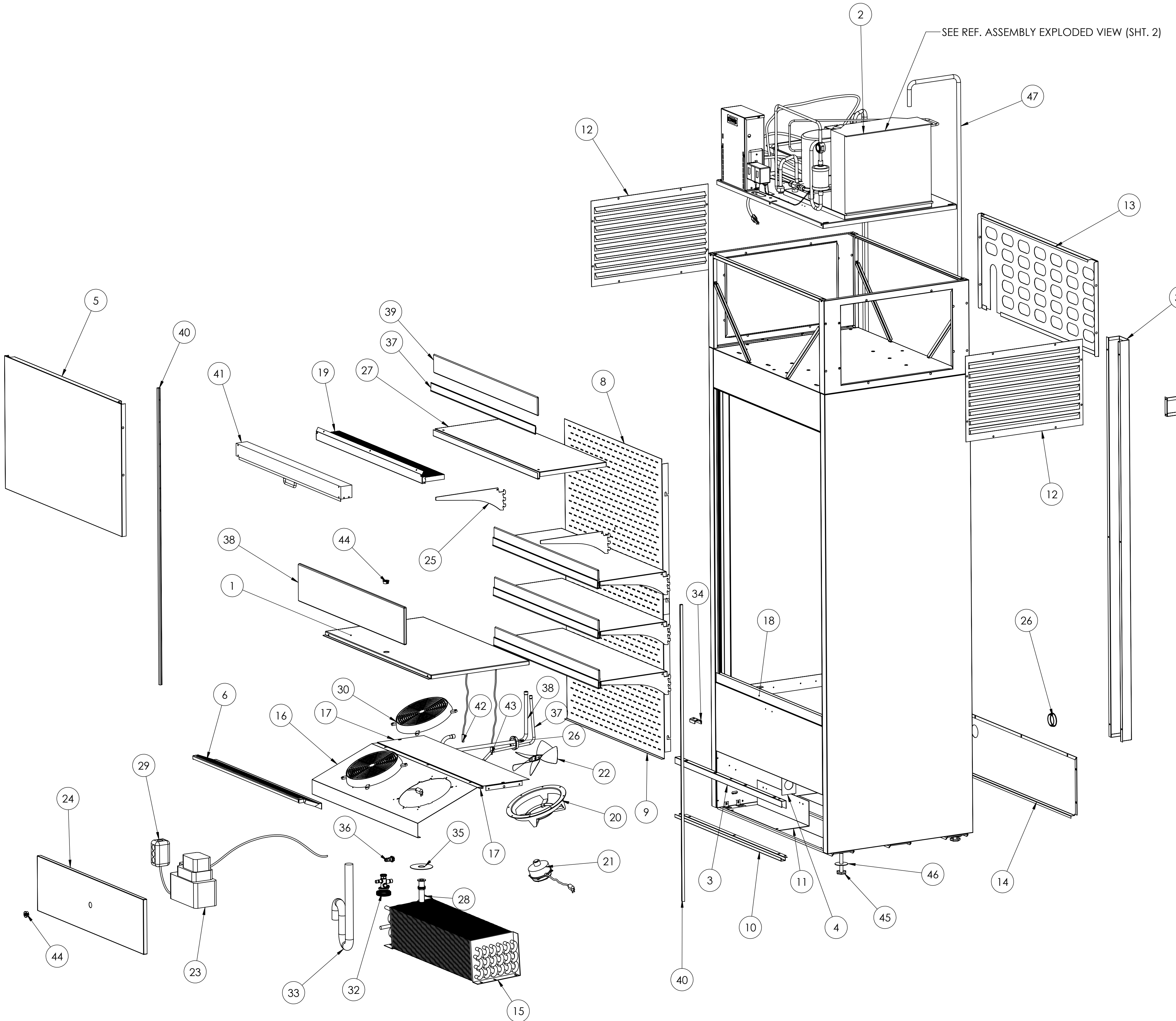




# QBD COOLING SYSTEMS INC

31 BRAMSTEELE ROAD  
BRAMPTON, ONTARIO, CANADA, L6W 2K6  
TEL : (905) 459-0709 FAX : (905) 459-1478

## EXPLODED VIEW, WC3689 SOLID SIDES BLACK



| ITEM NO. | PART NUMBER | DESCRIPTION   |
|----------|-------------|---|
| 1        | 470035526   | PAN, WC3689 BASE  |
| 2        | 470011524   | COMMON REFRIG. WC3689   |
| 3        | 470035539   | SUPPORT, WC3689 GRILL UPPER   |
| 4        | 470033654   | BRACKET, WC DRAIN HOSE  |
| 5        | 470035549   | PANEL, WC3689 TOP SIGN  |
| 6        | 470035139   | GRILL, WC3681 INLET   |
| 7        | 470035556   | BRACKET, WC3689 STAND OFF   |
| 8        | 470035535   | AIR DUCT, WC3689 UPPER  |
| 9        | 470035326   | AIR DUCT, WC3689 LOWER  |
| 10       | 470035371   | SUPPORT, WC3681 LOWER GRILL   |
| 11       | 470035545   | SUPPORT, WC3689 PUMP PLATE  |
| 12       | 470035548   | GRILL, WC3689 SIDE  |
| 13       | 470035602   | TOP SIGN, WC3689 REAR   |
| 14       | 470035603   | GRILL, WC3689 REAR  |
| 15       | 470530468   | COIL, EVAP 29" CLASS M-1CKT   |
| 16       | 470035342   | SHROUD, WC3681 EVAP   |
| 17       | 470035343   | COVER, WC3681 EVAP  |
| 18       | 470035552   | SUPPORT, WC3689 FRONT GLASS   |
| 19       | 470130761   | HONEY COMB, WC3681  |
| 20       | 740120031   | 8" FR50 BASKET(1MS100099), WHITE INCLUDED 4 SETS #8-32 KEPS NUT (ZPL) & #8 EXT. LOCKWASHER                                |
| 21       | 740410001   | EVAP. FAN MOTOR (ECR01B0133), 230V, 50-60Hz 20W, 1550RPM IP55, 7NDW INSERTS, 2PIN 90DEG. PLUG, CCW ROTATION PER WD5784 13 |

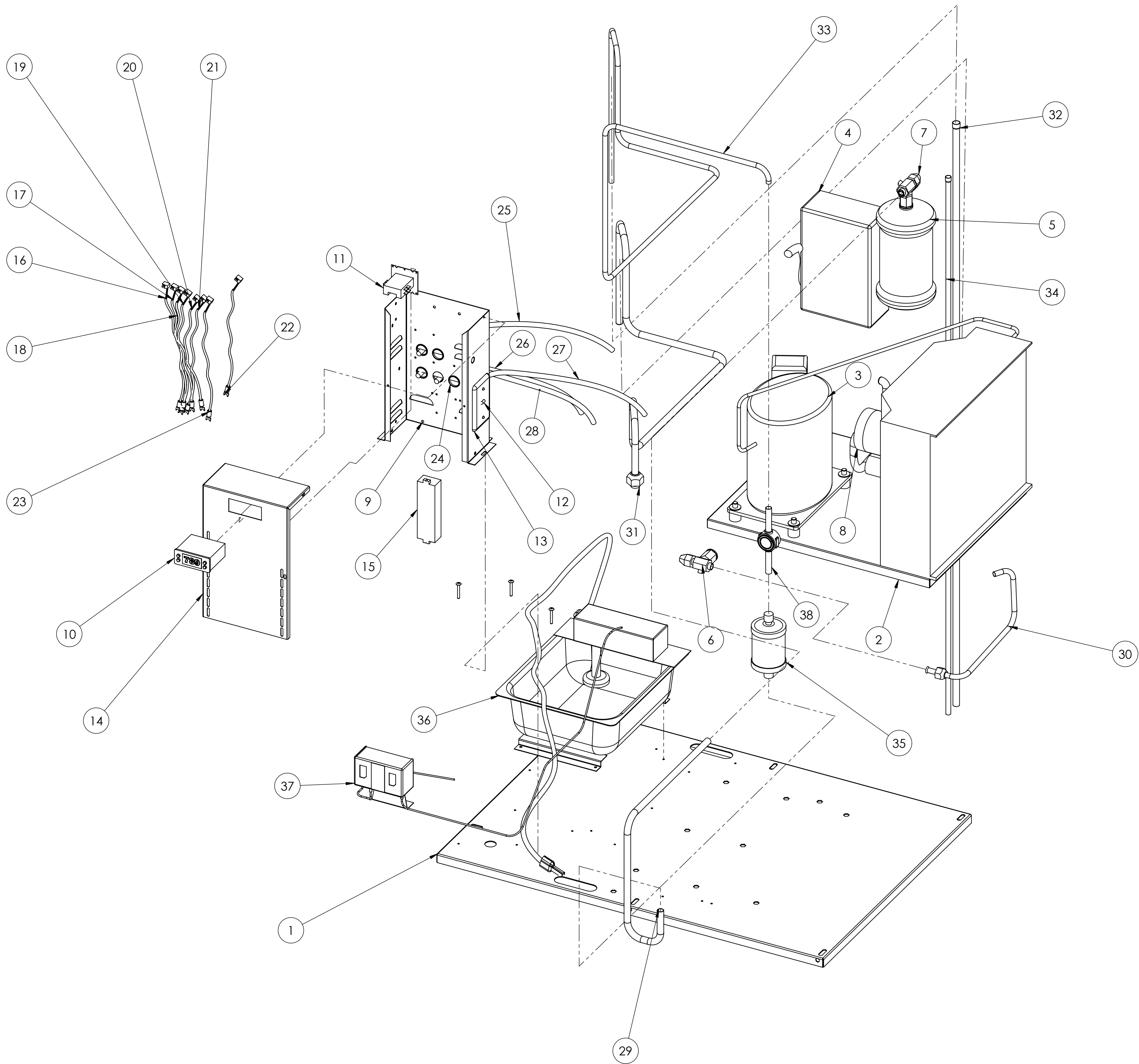
| ITEM NO. | PART NUMBER | DESCRIPTION                        |
|----------|-------------|------------------------------------|
| 22       | 470530541   | BLADE FAN OP OU7737-5 CW           |
| 23       | 740530709   | PUMP, WATER-LITTLE GIANT #554401   |
| 24       | 470035529   | GRILL, WC3689 FRONT                |
| 25       | 479215039   | BRACKET, 12" SHELF PAINTED         |
| 26       | 470120074   | BUSHING, SNAP 2 DIA"               |
| 27       | 479202039   | SHELF, WC3681 PAINT BLK            |
| 28       | 470530487   | DRAIN, BRASS 1/2 IPS x 3.5" LG     |
| 29       | 740530001   | UTILITY BOX 2.4 X 4 X 1.875 #1110  |
| 30       | 470120095   | GUARD FAN -ET3000-9 90DEG TABS     |
| 31       | 470035541   | CHANNEL, WC3689 BACK COVER         |
| 32       | 740530237   | VALVE, THERM. EXPANSION TUA        |
| 33       | 740530121   | HOSE DRAIN, 3/4" ID -1" OD WHT FLX |
| 34       | 470035584   | BRACKET, NIGHT CURTAIN W/LOCK      |
| 35       | 740030035   | WASHER, WC26HK DRAIN TUBE          |
| 36       | 740530103   | ORIFICE SIZE 02                    |
| 37       | 470130766   | HOLDER, WC3681 PRICE TAG-FLAP      |
| 38       | 747400070   | TMP CLEAR, WC3689 FRONT GLASS      |
| 39       | 477400063   | TMP CLEAR, WC3681 SHELF GLASS      |
| 40       | 470530672   | LED, 47.5" L11-47.5 SERIES         |
| 41       | 470530710   | CURTAIN, WC3689 NIGHT              |
| 42       | 470430229   | PROBE, DANFOSS AC48 3 METER        |
| 43       | 470430230   | PROBE, DANFOSS AC48 3 METER        |
| 44       | 470120062   | BUSHING SNAP .875 OD SB-875-8      |
| 45       | 470530089   | LEVEL LEG. 0.500X3.00X1.375 AF     |
| 46       | 470460007   | WASHER .063THX.531"X2.0" ZINC      |
| 47       | 113375000   | TUBE BEER CLR VINYL 3/8 X 5/8      |



# QBD COOLING SYSTEMS INC

31 BRAMSTEELE ROAD  
BRAMPTON, ONTARIO, CANADA, L6W 2K6  
TEL : (905) 459-0709 FAX : (905) 459-1478

## EXPLODED VIEW, WC3689 SOLID SIDES BLACK



| ITEM NO. | PART NUMBER | DESCRIPTION   |
|----------|-------------|---|
| 1        | 470035588   | PLATFORM, WC3689 REFRIG.                              |
| 2        | 740530220   | COND UNIT UNT6226GKV 1HP                              |
| 3        | 740530310   | COMPRESSOR, INCL. GROMMET AND ELECT. HARDWARE         |
| 4        | 740430015   | BOX, CSR UNT6226                                      |
| 5        | 740430016   | FUSSIBLE PLUG UL 1/4" NPT                             |
| 6        | 740530309   | BASE SERVICE VALVE, 1/2" SUCTION                      |
| 7        | 740530311   | BASE SERVICE VALVE, 1/2" DISCHARGE                    |
| 8        | 740430017   | KIT, 34W FAN MOTOR UNT6226                            |
| 9        | 470035403   | BOX, CONTROL 11 5/8" RH                               |
| 10       | 470430228   | ERC 112C. CONTROL, DANFOSS                            |
| 11       | 740430004   | 1 POLE CONTACTOR SCHNEIDER, 208/240                   |
| 12       | 740430007   | DOUBLE POLE TOGGLE SWITCH, 20A, 120/277V, AC, 1222-2W |
| 13       | 740530188   | COVER, UTILITY SWITCH BOX SD-11                       |
| 14       | 470035404   | COVER, MODULAR CONTROL 11 5/8" BOX                    |
| 15       | 470440087   | DRIVER, LED 20W                                       |
| 16       | 470450301   | WIRE, 8" WHT FORK TERM-1/2 TERM                       |
| 17       | 470450302   | WIRE, 8" GRN FORK TERM-RING TER                       |
| 18       | 470450300   | WIRE, 14" WHT 1/4 - FORK TERM                         |

| ITEM NO. | PART NUMBER | DESCRIPTION                            |
|----------|-------------|--|
| 19       | 470450299   | WIRE, 14" WHT 1/4 - 1/4 FEM TER        |
| 20       | 470450298   | WIRE, 6" WHT 1/4 - 1/4 FEM TER         |
| 21       | 470450297   | WIRE, 12" BLK 1/4 - 1/4 FEM TER        |
| 22       | 470450296   | WIRE, 8" BLK 1/2 BARE-FORK TERM        |
| 23       | 470450295   | WIRE, 10" BLK, 1/4 FEMALE- FORK        |
| 24       | 470530445   | NON-METAL SHEATHED CABLE CONNECTOR     |
| 25       | 470450331   | HARNESS, WC3689 COMPRESSOR             |
| 26       | 470450332   | HARNESS, WC3689 FAN MOTOR              |
| 27       | 470450333   | HARNESS, WC3689 PRESSURE SWITCH        |
| 28       | 470450258   | CORD POWER 3 WIRE, 230V-15A 10'        |
| 29       | 470100335   | RECEIVER TO FILLER TUBE, WC3689        |
| 30       | 470100359   | TUBE WITH NUT , WC3689, DRIER CYLINDER |
| 31       | 470100360   | TUBE WITH NUT , WC3689, SUCTION LIN    |
| 32       | 470100363   | TUBE, WC3689 SUCTION EXTENSION         |
| 33       | 470100364   | TUBE, WC3689 LIQUID LINE COND UNIT     |
| 34       | 470100365   | TUBE, WC3689 LIQUID LINE EXTENSION     |
| 35       | 740530127   | DRIER, EK-053S 3/8 ODF SOLDER          |
| 36       | 470530550   | CONDENSATE PAN, 1000W, 208V, 810214    |
| 37       | 740530160   | PRESSURE CONTROL DUAL TYPE DNS         |
| 38       | 740530037   | SIGHT GLASS 3/8 SOLDER                 |