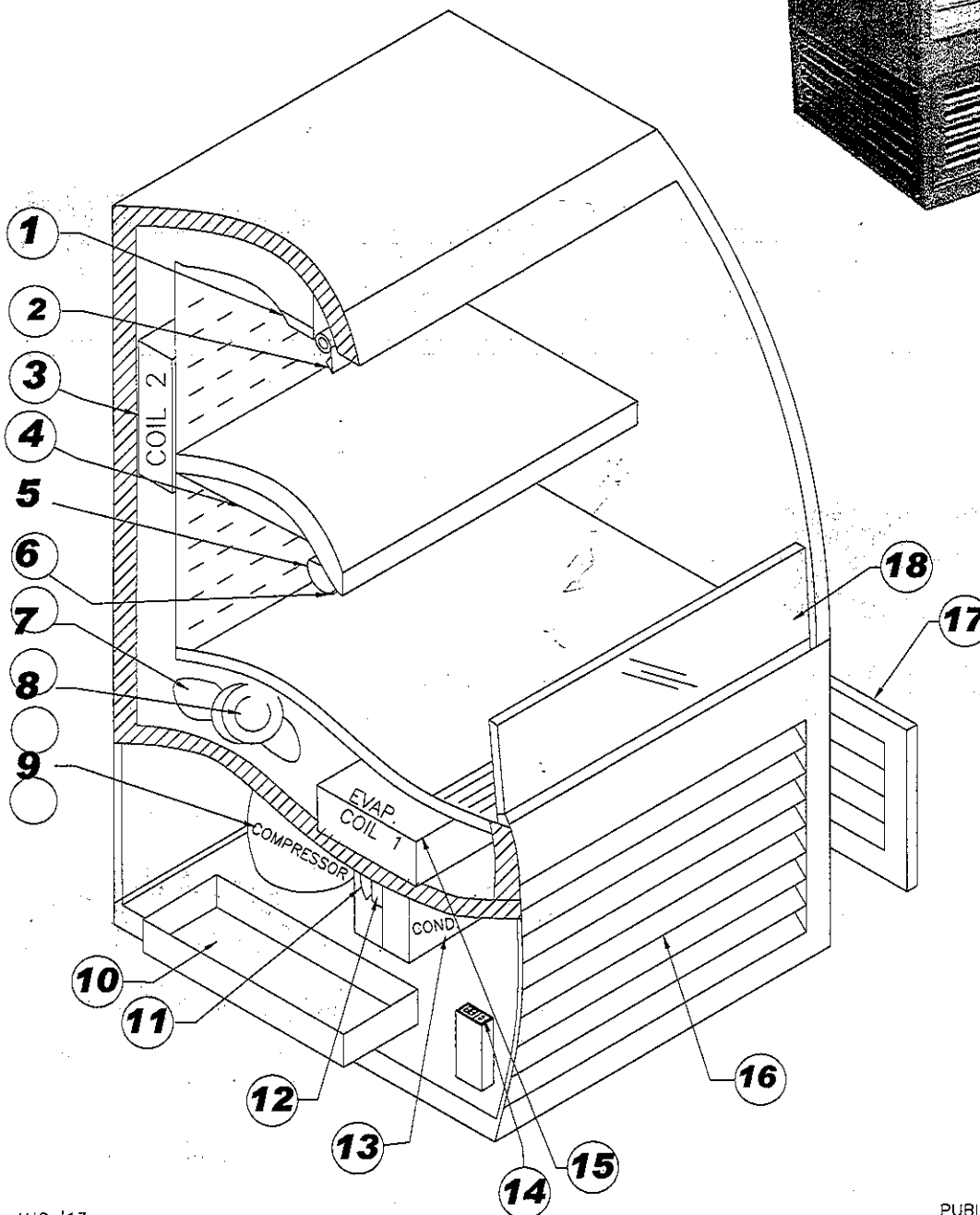
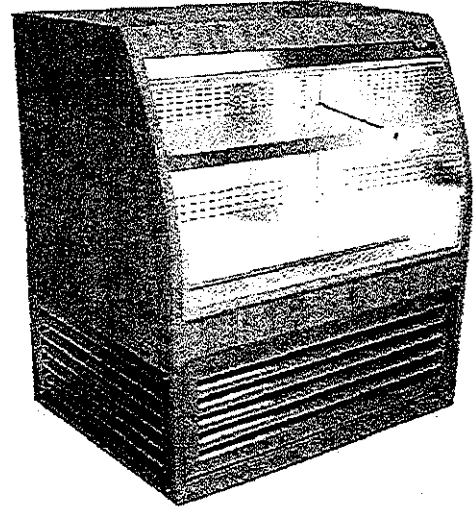


QBD[®] MODULAR SYSTEMS INC.

31 Bramsteele Road, Brampton, Ontario, Canada L6W 3K6
TEL: (905) 459-0709 FAX: (905) 459-1478
WWW.QBD.COM

MODEL: WC3034

WC3034 ASSEMBLY



TIM HOTON
WC 3034 REPLACEMENT PARTS BRAKEDOWN
2013 PRICE LIST

ITEM NO.	QBD PART NO.	TDL PART NO.	DESCRIPTION	PRICE	
1	740130268		HONEYCOMB	26	
2	470530554		AIR CURTAIN-26.5" LONG	190	
3	470530534		EVAP COIL - #2	325	
4	470033562		SHELF BRACKET 10"	14	
5	470530569		LED LIGHT FIXTURE	80	EACH
6	740130057		LAMP REFLECTOR	9	
7	470530541		BLADE FAN OP OU7737-5 CW	15.2	
8	470410037		EVAP. MUFFIN FAN MOTOR HIGH SPEED	31.58	
9	470530126		COMPRESSOR AEA440YXA	256.17	
10	470035073		CONDENSATE PAN	80	
11	470410028		CONDENSER FAN MOTOR	82	
12	470530541		BLADE FAN OP OU7737-5 CW	15.2	
13	470530549		CONDENSER COIL	110.6	
14	470430146		TLY 25 & SENSOR	166.5	
15	470530534		EVAP. COIL - #1	325	
16	470035075		FRONT GRILL	110	
17	470035076		SIDE GRILL	80	
18	747400013		FRONT TEMPERED REMOVABLE GLASS	160	