

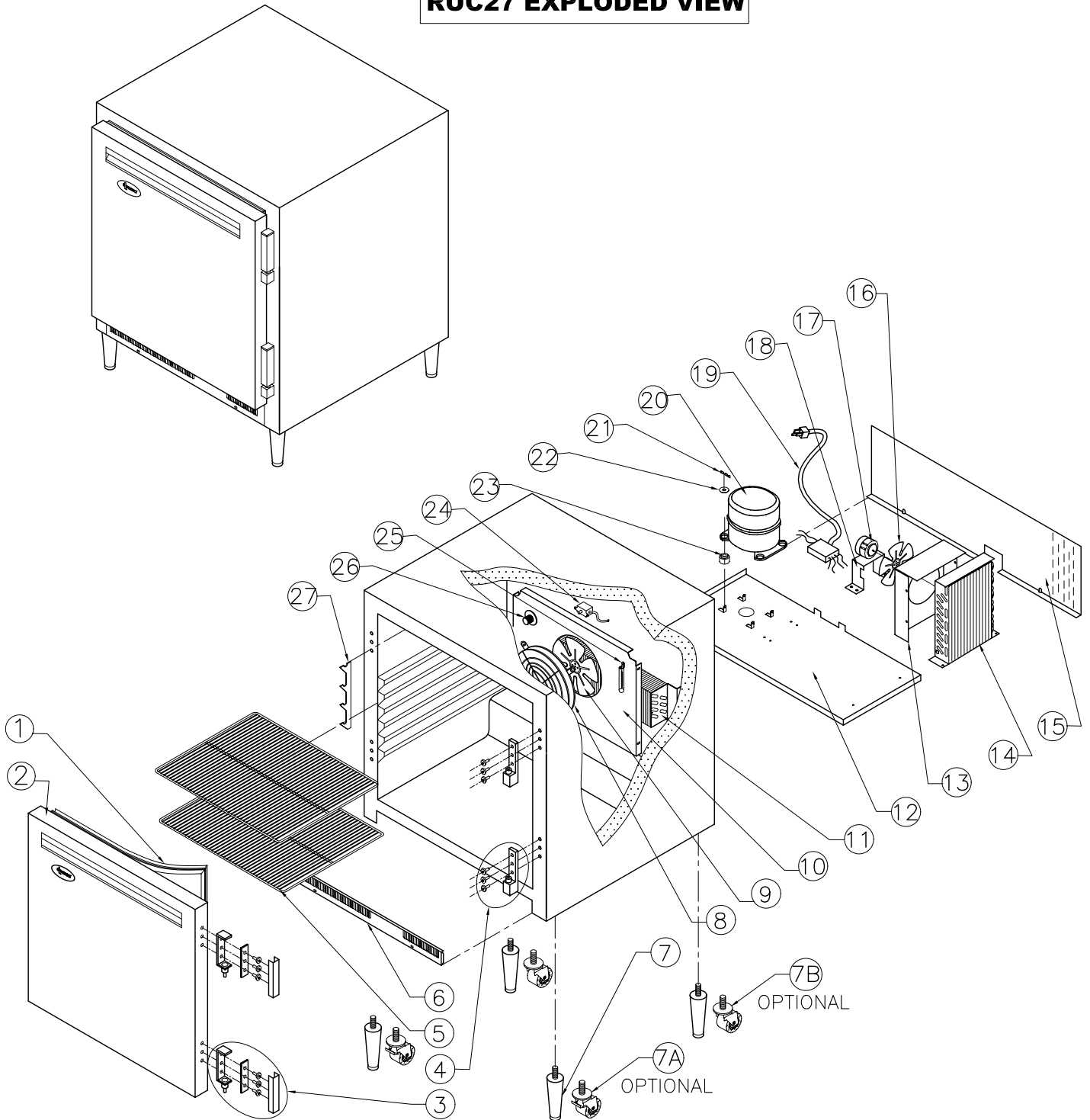


QBD[®] MODULAR SYSTEMS INC.

31 Bramstele Road, Brampton, Ontario, Canada L6W 3K6
TEL: (905) 459-0709 FAX: (905) 459-1478
WWW.QBD.COM

MODEL: RUC27

RUC27 EXPLODED VIEW





QBD® MODULAR SYSTEMS INC.

31 Bramsteele Road, Brampton, Ontario, Canada L6W 3K6

TEL: (905) 459-0709 FAX: (905) 459-1478

WWW.QBD.COM

MODEL: RUC27

RUC27 REPLACEMENT PART LIST

<u>Item No.</u>	<u>Part No.</u>	<u>Description</u>
1	47-0140-101	GASKET, RUC27 DOOR MAG.
2	47-0010-521	DOOR ASSEMBLY RUC S.S.
3	47-0530-242	HINGE CAM CUSTOMIZED DOOR SIDE
4	47-0530-242	HINGE CAM CUSTOMIZED CABINET SIDE
5	47-0200-120	SHELF RUC27
6	47-0031-548	GRILL FRONT RUC27
7	47-0530-081	6" LEG(NSF)
7A	47-0530-251	CASTOR SWIVEL 3" DIA. WHEEL/LOCK
7B	47-0530-244	CASTOR SWIVEL 3" DIA. WHEEL
8	47-0120-061	FAN GUARD EVAP.-BLACK
9	53-0341-028	FAN BLADE
10	47-0031-693	PANEL EVAP FRONT RUC27
11	47-0530-228	EVAP. COIL RUC27
12	47-0031-540	BASE REFRIGERATION RUC27
13	47-0031-750	SHROUD CONDENSER RUC
14	47-0530-229	COND. COIL RUC27
15	47-0031-554	GRILL EXT. BACK RUC27
16	47-0120-060	FAN BLADE 6" DIA.
17	47-0410-022	MOTOR COND. FAN 5W
18	47-0031-541	BRACKET COND. MOTOR RUC
19	47-0450-116	HARNESS WIRE RUC
20	47-0530-532	COMPRESSOR
21	47-0370-001	CLIP, COMP. MTG.
22	18-6147-000	WASHER, 3/8ID x13/16OD SAE Flat ZC
23	18-9723-000	GROMET-COMP. FOOT
24	47-0430-023	COLD CONTROL SUPER 42"
25	47-0530-240	THERMOMETER 4" HANGING
26	47-0120-142	KNOB, COLD CONTROL
27	47-0032-011	SHELF RETAINER RUC27

→ (IS ORDERED AS A SET)

NOTE: TO ORDER THE PARTS PLEASE NOTE DOWN THE MODEL NO. AND SERIAL NO. OF THE UNIT.

:MODEL NO.:

:SERIAL NO.: