

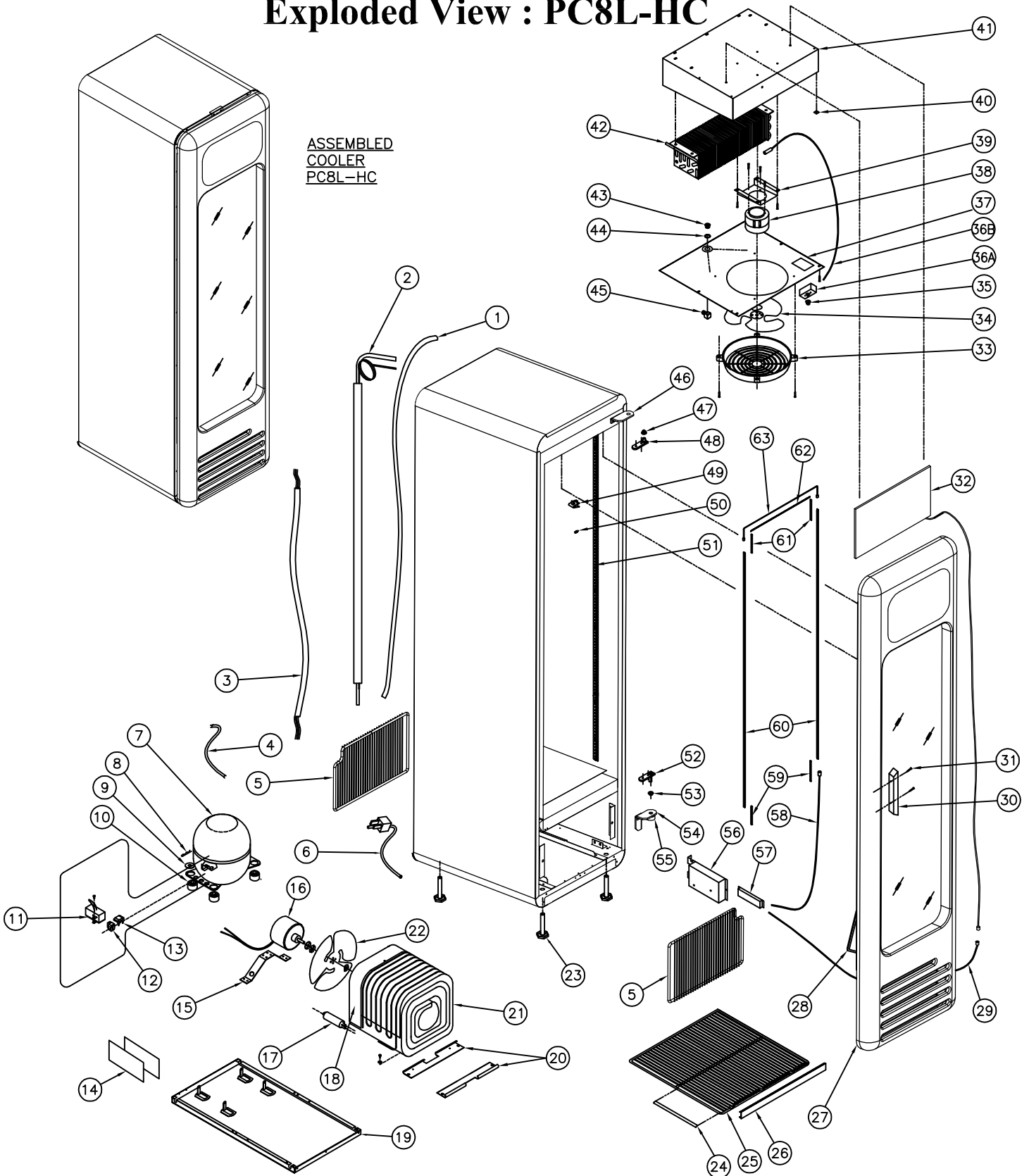
31 BRAMSTEELE ROAD  
BRAMPTON, ONTARIO  
L6W 3K6

QBD® Cooling Systems Inc.

TEL: (905) 459-0709  
FAX: (905) 459-1478

COOLER : PC8L-HC  
84-6809-XXX 120V, 60Hz

## Exploded View : PC8L-HC





**Cooling Systems Inc.**

31 Bramstele Rd  
 Brampton, Ontario, Canada  
 L6W 3K6  
 Telephone: (905) 459-0709  
 Toll Free: (800) 663-3005  
 FAX: (905) 459-1478  
[info@qbd.com](mailto:info@qbd.com)  
[www.qbd.com](http://www.qbd.com)

# PC8L-HC Cooler

(84-6809-XXX) 120V, 60 Hz.

Item No.	Part No.	Pepsi Part No.	Description	Item No.	Part No.	Pepsi Part No.	Description
1	11-3375-000		Drain Tube Clear Vinyl	33	47-0120-095	69699	Guard Fan Evap
2	47-0020-623		Suction Line Assy PC8-HC	34	47-0530-531		Fan Blade Evaporator
3	47-0450-324		Harness, PC8L-HC Refrigeration	35	47-0430-208		Knob, Hand Black
4	47-0450-325		Harness, PC8L-HC Compressor	36a	47-0430-206		Control, ETC 1H1
5	47-0200-235		Grill, PC8 Wire	36b	47-0430-207		Sensor, NTC Temp.
6	18-7218-001	1007217	Cord, Power 14/3 SJTW-A 12'	37	47-0034-787		Drip Tray PC8
7	47-0530-691		Compressor, 1/8 HP EMI50UER Embraco	38	47-0410-071		Motor Fan UNADA-FM
8	47-0370-001		Clip, Compressor Mounting	39	47-0031-527	81038	Bracket DC12 7.75 Evap Motor
9	18-6147-000		Washer 3/8 SAE Flat ZC WFS-37	40	18-7240-000		Nut 6-32 Speed J-Type
10	47-0530-664		Grommet (Compressor Foot)	41	47-0035-507		Housing, PC8L-HC Evap Shroud
11	47-0430-250		Capacitor, EMI50UER Embraco	42	47-0530-590		Evaporator Coil PC8L
12	47-0430-249		Relay, EMI50UER Embraco	43	31-4213-000	151668	Connector Drain 1/2 - 20
13	47-0430-251		Overload, EMI50UER Embraco	44	47-0460-005	69695	Washer Drain Poly 1/2 ID x .687 OD
14	47-0060-110		Condensate Soakers (2 required)	45	31-4214-000	1003788	Drain Adapter
15	47-0035-475		Bracket, HC 1/4 HP Cond. Motor	46	47-0090-084		Hinge, PC8 Top Black
16	47-0410-071		Motor Fan UNADA-FM	47	47-0080-011		Insert Bronze 5/8 OD x 1/4"
17	47-0011-316		Drier Assy 1/4" Straight	48	47-0090-081	1009576	Pin Pivot Top
18	47-0034-272		Shroud, Condenser SL10/DC10PT	49	53-0377-032	510362	Bracket (clip) Shelf Support
19	47-0020-611		Welded, PC8 Comp. Platform	50	47-0400-007	510282	SCW Pilaster Stip "Custom"
20	47-0035-022		Support 1/4 HP Cond.	51	47-0034-864		Pilaster Strip 44"
21	47-0530-692		Cond. Coil 1/4 HP, 3/16" OD Lint FREE	52	47-0090-082	1009577	Pin, Pivot Bottom
22	47-0530-541	57910	Fan Blade, Condenser	53	47-0080-011		Insert Bronze 5/8 OD x 1/4"
23	47-0530-089	510204	Level Leg 1/2 x 3 x 1 3/4 AF	54	47-0090-085		Hinge, PC8 Bottom Black
24	47-7993-033	81318	Clip, Shelf Stopper	55	53-0149-069	510108	Spring Door
25	47-0200-232	1022766	Shelf, PC8 Flat	56	47-0035-520		Box Power, PC8I-HC
26	47-0130-657		Price Holder PC8 13 1/2" Black	57	47-0440-087		Driver, LED 20W
27	47-7688-XXX		Door Assembly (need door colour)	58	47-0450-283		Connector, 12" Wire Lead
28	47-0140-031		Gasket Door PC8	59	47-0130-748		Cap, CD26-HC Side LED Snap 2.75
29	47-0450-318		Connector Female Wire Lead PC8L	60	47-0530-672	1027018	LED, 47.5" L11 - 47.5 Series
30	47-0120-186		Handle, PC8 Door	61	47-0130-843		Cap, PC8-HC Side LED Snap 6.50
31	47-0400-024	510518	SCW ST 8 - 32 x 1/2 FT HD BK QUAD	62	47-0130-844		Cap, PC8-HC Top LED Snap 16.25
32	47-0530-689		Panel, PC8 LED Door	63	47-0450-289		Connector, 24" Butt

**Decals / Lens:**

47-9243-XXX	Lens, PC8L
47-9070-XXX	Decal, PC8 RH Side Decal
47-9071-XXX	Decal, PC8 LH Side Decal

**Plastic Door Only:**

47-0011-469	Door, PC8L Grey, Plastic Shell Only
47-0011-470	Door, PC8L Blue, Plastic Shell Only
47-0011-471	Door, PC8L Burgundy, Plastic Shell Only
47-0011-472	Door, PC8L Green, Plastic Shell Only
47-0011-473	Door, PC8L Yellow, Plastic Shell Only
47-0011-474	Door, PC8L Orange, Plastic Shell Only
47-0011-475	Door, PC8L Red, Plastic Shell Only
47-0011-476	Door, PC8L Black, Plastic Shell Only
47-0011-477	Door, PC8L Pearl White, Plastic Shell Only
47-0011-510	Door, PC8L Cherry Red, Plastic Shell Only

**Accessories:**

47-0034-128	61726	Key, Door T-Handle
47-0520-254		Kit, PC8 Lock Hasp Door