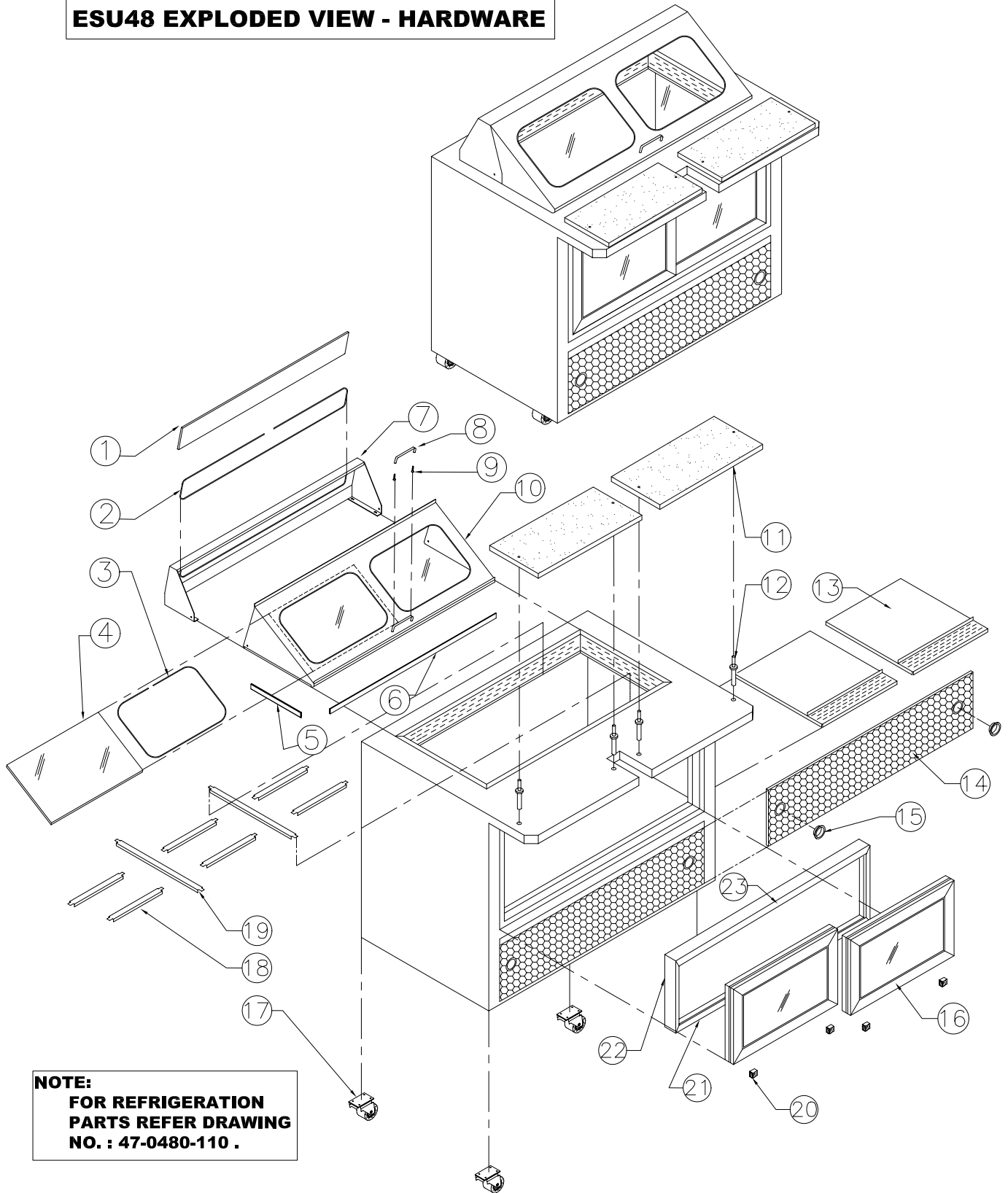




ESU48 EXPLODED VIEW - HARDWARE



NOTE:
FOR REFRIGERATION
PARTS REFER DRAWING
NO. : 47-0480-110 .



QBD[®] MODULAR SYSTEMS INC.

31 Bramsteele Road, Brampton, Ontario, Canada L6W 3K6

TEL: (905) 459-0709 FAX: (905) 459-1478

WWW.QBD.COM

MODEL: ESU48

ESU48 REPLACEMENT PART LIST(HARDWARE)

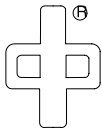
Item No.	Part No.	Description
1	74-0120-007	PLEXY REAR GLASS ESU48
2	74-0130-074	GASKET REAR PLEXY COVER
3	74-0130-075	TOP LID GASKET FOR PLEXY
4	74-0120-008	PLEXY FRONT GLASS ESU48
5	74-0130-071	PLASTIC EXTRUSION LID CAP-SIDE
6	74-0130-072	PLASTIC EXTRUSION LID CAP-FRONT
7	74-0010-112	FIXED REAR LID COVER ASSEMBLY
8	74-0530-049	TOP LID HANDLE
9	47-0247-010	8-32X1/2" SCREW
10	74-0010-111	OPERABLE TOP LID ASSEMBLY
11	74-0130-076	3/4" THK. WHITE CUTTING BOARD
12	74-0530-051	PIN FOR CUTTING BOARD
13	74-0030-086	S.S. BOTTOM PAN
14	74-0031-024	REAR GRILL ESU48
15	74-0130-078	2" PLASTIC SNAPPER FOR GRILL
16	74-0010-113	REAR SLIDING DOOR ASSEMBLY ESU48
17	74-0530-043	3" SWIVEL CASTER
18	74-0030-493	PAN SUPPORT - SMALL
19	74-0030-333	PAN SUPPORT - LARGE
20	74-0130-102	WHEEL FOR SLIDING DOOR
21	74-0130-103	BOTTOM DOOR TRACK
22	74-0130-100	SIDE DOOR TRACK
23	74-0130-104	TOP DOOR TRACK

NOTE:

TO ORDER THE PARTS PLEASE NOTE DOWN THE MODEL NO. AND SERIAL NO. OF THE UNIT.

:MODEL NO.:

:SERIAL NO.:

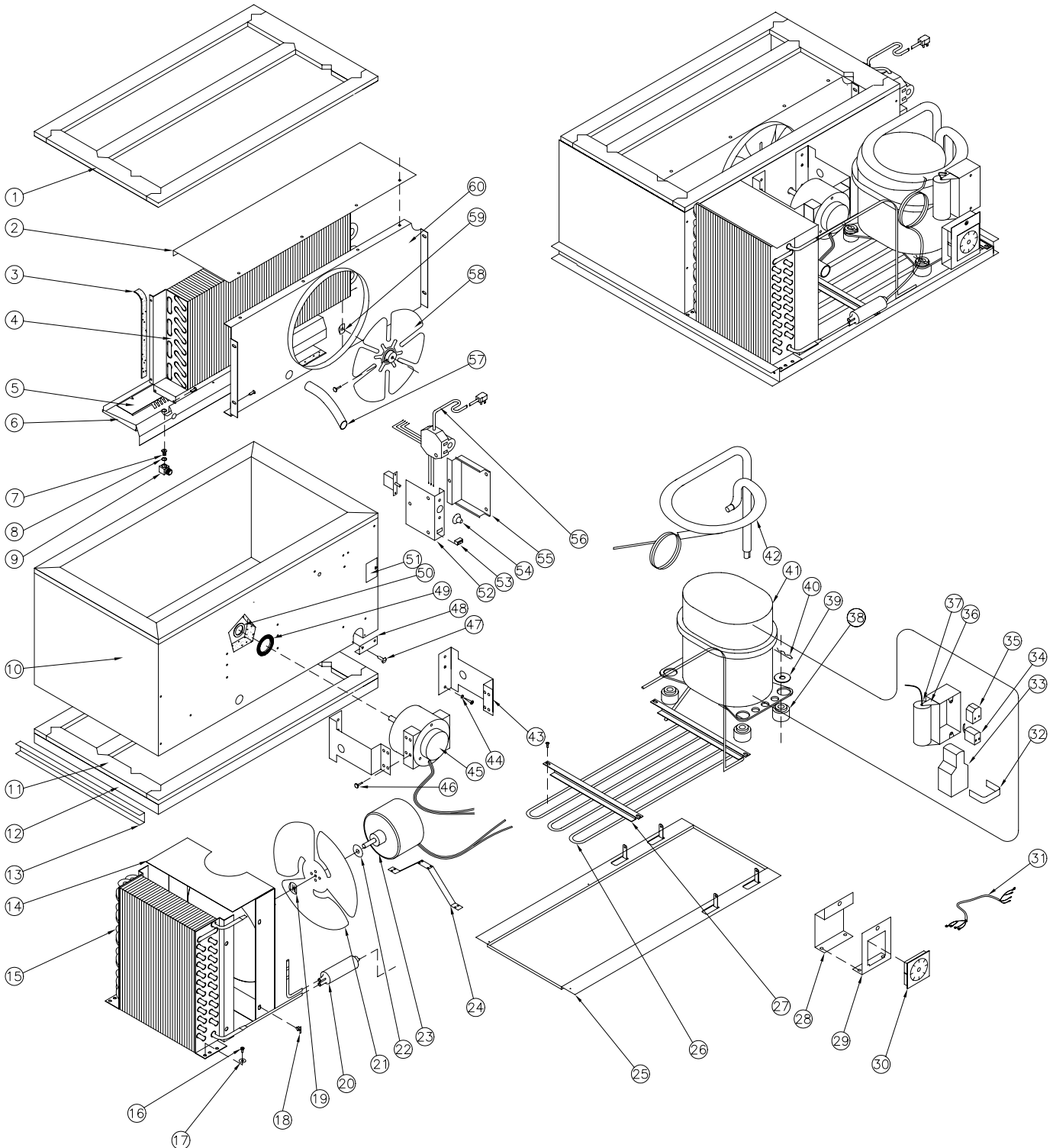


31 BRAMSTEELE ROAD
BRAMPTON, ONTARIO
L6W 3K6

QBD[®] Cooling Systems Inc.

TEL: (905) 459-0709 REF. CHASSIS 1/2HP, R-134a
FAX: (905) 459-1478 47-0010-198 120V, 60Hz

ESU REFRIGERATION EXPLODED VIEW



Refrigeration Chassis 1/2 Hp (R-134a)
(34-0010-198) 120V, 60Hz

Item No.	Part No.	Description	Item No.	Part No.	Description
1	47-0060-086	Gasket, Seal	31	47-0450-152	Harness, Defrost
2	47-0030-688	Baffle Air Evap.	32	47-0530-056	Strap bale ½ HP compressor
3	47-0060-041	Tape foam .375X1.250"	33	47-0530-055	Cover terminal ½ HP compressor
4	47-0530-120	Evaporator ½ HP	34	47-0430-052	Overload ½ HP compressor
5	47-0030-754	Baffle air evaporator	35	47-0430-170	Relay ½ HP compressor
6	47-7151-033	Tray drip inner evaporator	36	47-0530-174	Bracket, Capacitor
7	31-4213-000	Connector drain inner tray	37	47-0430-051	Capacitor ½ HP compressor
8	47-0460-005	Washer drain inner drip tray	38	18-9723-000	Grommet rubber compressor mount
9	31-4214-000	Adaptor drain 90" elbow	39	18-6147-000	Wshr, 3/8Idx13/16OD SAE Flat ZC
10	47-0010-312	Box refrigeration assy.	40	47-0370-001	Clip compressor mounting
11	47-0060-050	Gasket, seal	41	47-0530-147	Compressor (INC. 49 to 53)
12	47-0010-313	Cap bottom	42	47-0020-255	Suction Line Ass'y 1/3HP
13	47-0030-687	Channel tie 1/2 HP	43	47-0030-697	Bracket evaporator motor
14	47-0030-705	Shroud condenser ½HP metal	44	53-0138-012	Washer lock #10 ext. tooth
15	47-0530-060	Condenser ½ HP	45	13-4350-000	Motor evaporator fan 50 watts
16	53-0260-024	SCW ST 8-32x.500 PH PAN HD	46	18-6154-000	SCW MA 8.36x.375 PH RD HD SEMS
17	53-0248-014	Washer flat .219 ID	47	53-0301-021	SCW SM#8x.500 PH TR HD
18	33-2415-000	Clip shroud condenser	48	47-0030-634	Retainer insulation
19	18-6097-000	Nut speed ¼-20 condenser fan	49	47-0060-049	Gasket evaporator motor
20	53-0172-013	Drier refrigerant	50	47-0010-203	Washer air tunnel
21	53-0341-022	Blade fan condenser axial 10"	51	47-0040-142	Decal temperature setting
22	18-7394-000	Silencer condenser motor	52	47-0031-283	Bracket, Cold Ctl/Switch
23	13-4346-000	Motor condenser 16 watts	53	47-0430-103	Switch On/Off Rocker
24	47-0030-511	Bracket condenser motor mounting	54	53-0169-013	Cold Ctl Super 1/3HP
25	47-7150-039	Base refrigeration ½ HP	55	47-0031-309	Cover, Cold CTL/Switch
26	53-0167-352	Coil inter cool	56	47-0450-080	Harness Refrig Long PWR Cord
27	47-0030-512	Retainer coil drip tray	57	11-4177-000	Tube drain .375 ID
28	47-0032-500	Bracket, Timer	58	53-0341-021	Blade evaporator fan 9.6-6 mix
29	47-0032-505	Cover, Timer	59	47-0530-086	Screw set ¼-28x.312 Allen.
30	47-0430-111	Defrost Timer	60	47-0030-686	Shroud evaporator fan