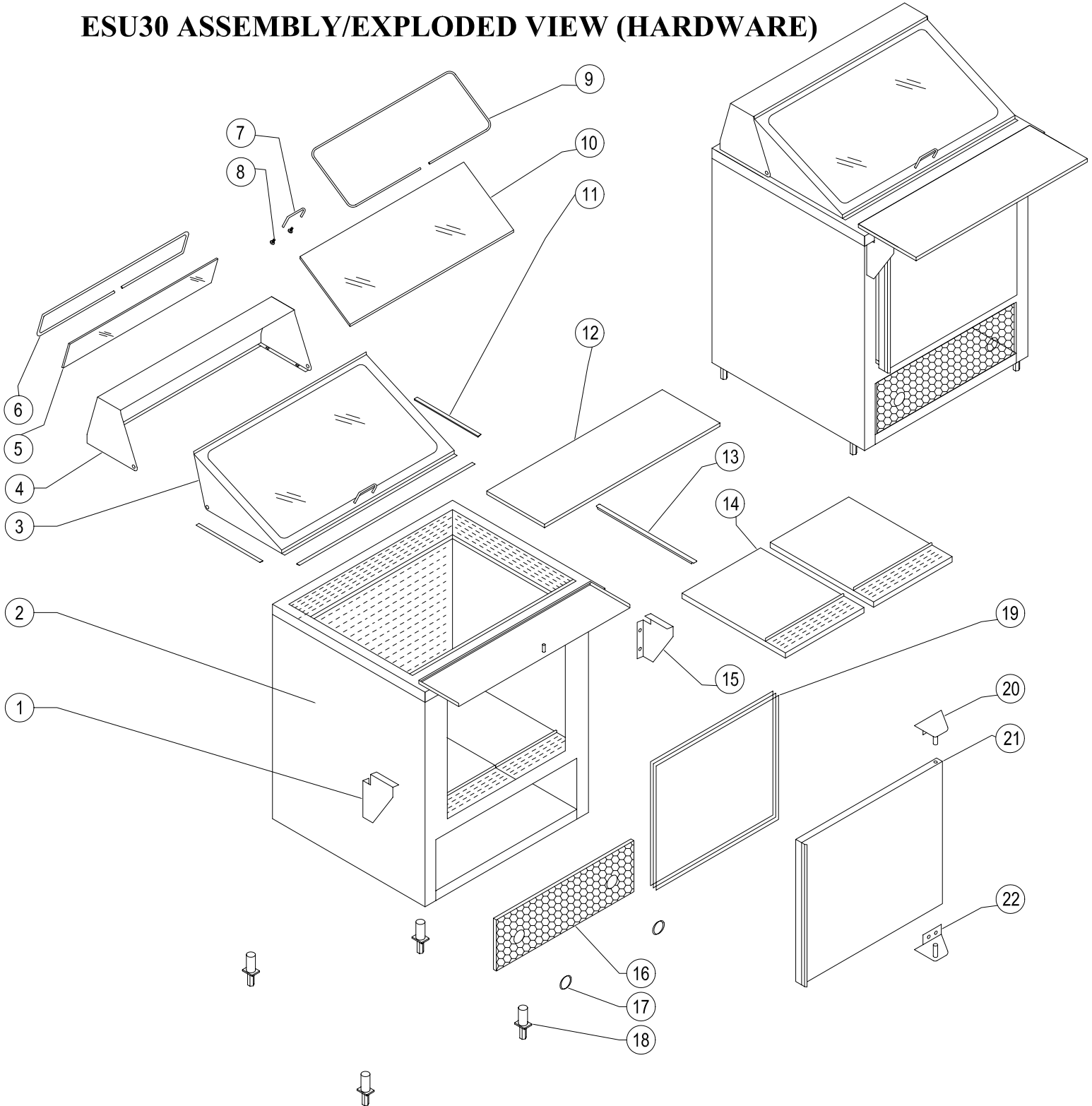




### ESU30 ASSEMBLY/EXPLODED VIEW (HARDWARE)



**NOTE: FOR REFRIGERATION PARTS REFER DRAWING NO. 47-0480-152-1A.**



# QBD® MODULAR SYSTEMS INC.

31 Bramsteele Road, Brampton, Ontario, Canada L6W 3K6

TEL: (905) 459-0709 FAX: (905) 459-1478

WWW.QBD.COM

MODEL: ESU30

## ESU30 REPLACEMENT PARTS LIST (HARDWARE)

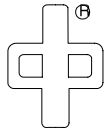
Item No.	PART No.	DESCRIPTION
1.	74-0031-029	SUPPORT LH, CUTTING BOARD
2.	74-XXXX-XXX	MAIN CABINET ESU30
3.	74-0010-117	TOP OPERABLE LID ASSY.
4.	74-0010-118	FIXED REAR LID ASSY.
5.	74-0120-011	PLEXI COVER REAR LID
6.	74-0130-084	GASKET REAR LID
7.	74-0530-049	HANDLE, TOP LID
8.	47-0247-000	½"SCREW 8-32
9.	74-0130-085	GASKET TOP LID
10.	74-0120-012	PLEXI COVER TOP LID
11.	74-0130-086	PLASTIC EXTRU. LID CAP
12.	74-0130-087	¾"THK WHITE CUTTING BOARD
13.	74-0030-333	PAN SUPPORT
14.	74-0031-030	BOTTOM PAN
15.	74-0031-031	SUPPORT RH, CUTTING BOARD
16.	74-0031-023	REAR GRILL
17.	74-0130-078	2"PLASTIC SNAPPER FOR GRILL
18.	74-0530-052	1"ADJUSTABLE LEG
19.	74-0130-077	GASKET DOOR ESU24/ESU30
20.	74-0031-032	TOP DOOR HINGE ESU30
21.	74-0031-025	DOOR ESU24/ESU30
22.	74-0031-033	BOTTOM DOOR HINGE ESU30

### NOTE:

TO ORDER THE PARTS PLEASE NOTE DOWN THE MODEL NO. AND SERIAL NO. OF THE UNIT.

:MODEL NO.:

:SERIAL NO.:



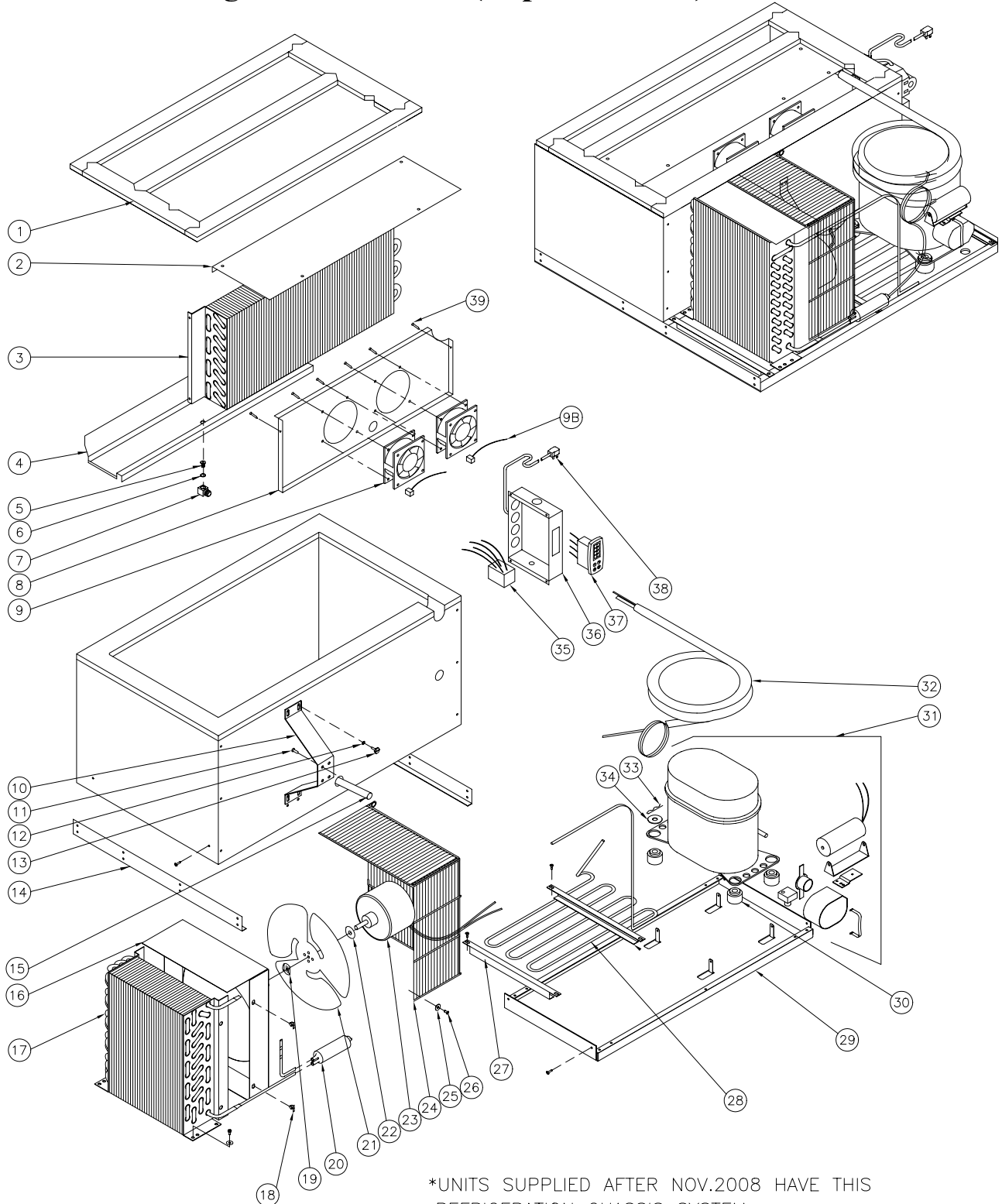
31 BRAMSTEELE ROAD  
BRAMPTON, ONTARIO  
L6W 3K6

TEL: (905) 459-0709  
FAX: (905) 459-1478

REF. CHASSIS 1/3HP, R-134A THD-TLY  
47-0010-750-SS 120V, 60Hz

QBD<sup>®</sup> Cooling Systems Inc.

## ESU30 Refrigeration Chassis (Exploded view)



# Refrigeration Chassis 1/3HP (R134a)

## (47-0010-750-SS)120V, 60Hz.

Item No.	Part No.	Description	Item No.	Part No.	Description
1	47-0060-140	GASKET SEAL REFR&CAB THD	33	47-0370-001	CLIP COMP. MTG.
2	47-0032-497	BAFFLE, EVAP AIR	34	18-6147-000	WASHER 3/8IDX13/16OD SAE FLAT ZC
3	47-0530-380	EVAP., COIL THD/CD	35	74-0420-001	RELAY OMRON, G7L-2A-TUBJ-CB
4	47-0032-495	DRIPTRAY, EVAPORATOR	36	47-0033-848	CONTROL BOX, MINIME24
5	31-4213-000	CONNECTOR DRAIN 1/2-20	37	47-0430-146	CONTROLLER, ELECTRONIC, TLY-25
6	47-0460-005	WASHER DRAIN POLY 0.500IDX.6870	38	47-0450-129	CORD POWER 3WIRE 48"LG
7	31-4214-000	DRAIN ADAPTER	39	47-0400-022	SCW TR 10-32X.750 IND HEX HD
8	47-0032-498	SHROUD, EVAP.			
9	47-0410-037	MOTOR FAN MUFFIN SP101A			
9B	47-0450-153	LEAD,AC AXIAL FAN 24"LG			
10	47-0031-008	MTG BRKT, COND. FAN MOTOR			
11	20-0470-002	SCW ST 8-32X.312"PH PAN HD 'F'			
12	47-0460-016	WASHER INT. TOOTH			
13	47-0400-022	SCW TR 10-32X.750 IND HEX HD			
14	47-0032-496	TIE, CHANNEL			
15	11-3375-000	TUBE BEER CLR VINYL 3/8X5/8"			
16	47-0031-009	SHROUD CONDENSER FAN			
17	47-0530-137	COND, 1/4HP			
18	33-2415-000	CLIP SHROUD			
19	18-6097-000	SPEED NUT			
20	53-0172-013	DRYER DOUBLE INLET 3/4 R134A			
21	33-2420-001	FAN BLADE 8.75DIA. 3BD CW			
22	18-7394-000	SLIENCER			
23	47-0410-027	MOTOR, FAN 9WATT			
24	47-0200-161	GUARD 1/3 HP 134A FAN THD			
25	53-0248-014	WASH FLAT 10 .218X.500X.625 ZINC			
26	20-0470-002	SCW ST 8-32X.312"PH PAN HD 'F'			
27	47-0031-055	BRACKET HOT GAS COIL HOLD DOWN			
28	47-0100-160	COIL INT.1/3 HP REFRI.			
29	47-0034-421	PLATEFORM,COMPRESSOR,THD-750			
30	18-9723-000	GROMET-COMP. FOOT			
31	47-0530-126	COMPRESSOR 1/3HP			
32	47-0020-296	SUCTIONLINE ASSY 1/3HP R134A			