

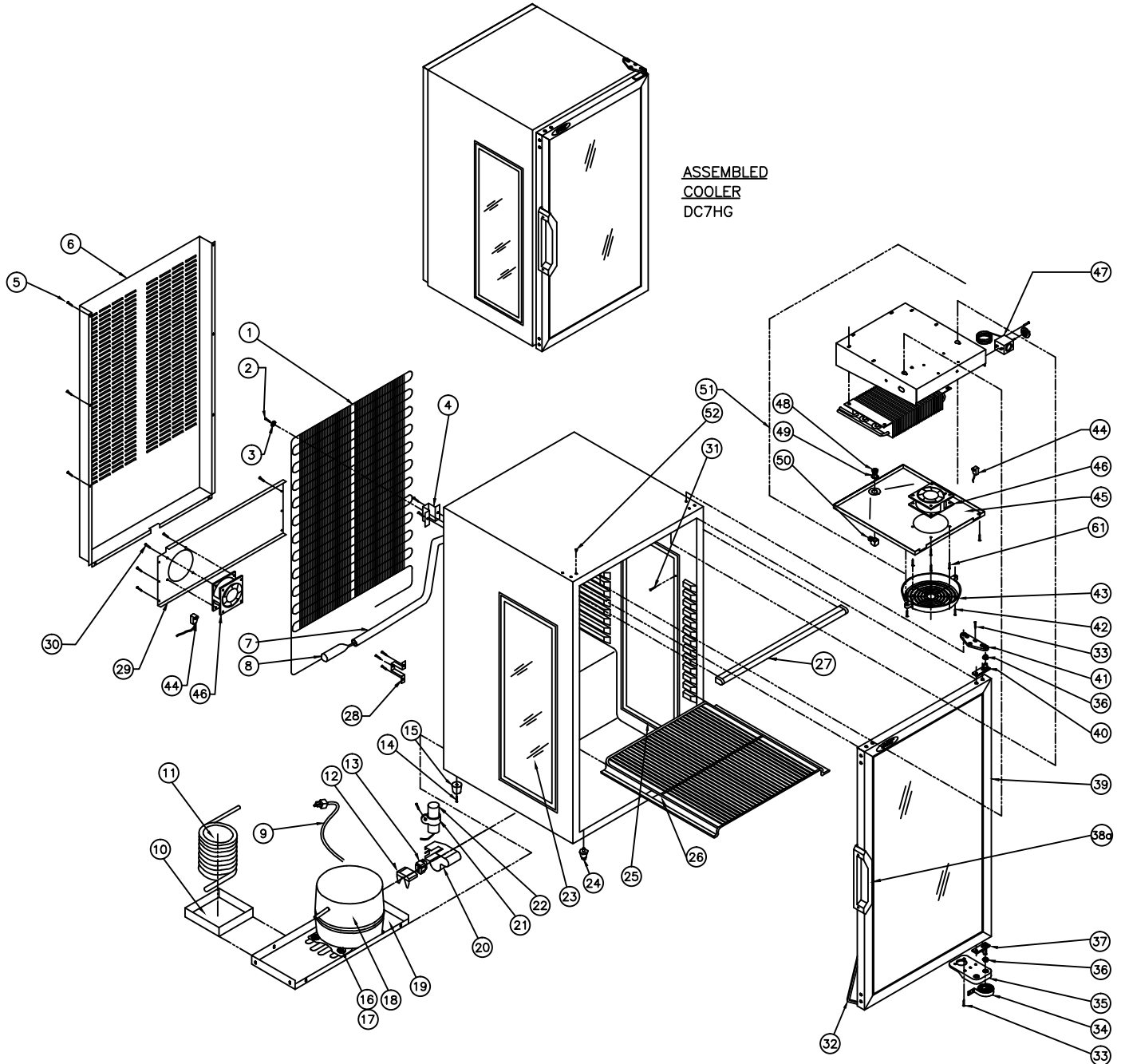
31 BRAMSTEELE ROAD
BRAMPTON, ONTARIO
L6W 3K6

QBD[®] Cooling Systems Inc.

TEL: (905) 459-0709
FAX: (905) 459-1478

COOLERS:

DC7H 34-9539-XXXA 120V, 60Hz
DC7HG 34-9540-XXXA 120V, 60Hz





Cooling Systems Inc.

31 Bramsteede Rd
Brampton, Ontario, Canada
L6W 3K6

Telephone: (905) 459-0709
Toll Free: (800) 633-3005
FAX: (905) 459-1478
info@qbd.com
www.qbd.com

DC7H/HG Cooler

DC7H (34-9539-XXA) 120V, 60 Hz.
DC7HG (34-9540-XXA) 120V, 60 Hz.

Item No.	Part No.	Pepsi Part No.	Description	Item No.	Part No.	Pepsi Part No.	Description
1	47-0530-183		Condenser, DC-7	26	47-0200-154	510438	Shelf, DC-7
2	20-0468-012		SCW SM #8 x ¾ PH TR HD	27	47-0530-569	1005655	LED Lamp 6 Watt
3	47-0460-015		Washer, #8 - .187 ID ¾ OD	28	47-0033-273		Bracket Back Cover
4	47-0031-411		Standoff, DC-7 Cond. Coil	29	47-0033-269		Plate DC-7 Cond Fan
5	53-0301-021		SCW SM #8 x ½ 'AB' PH TR HD	30	47-0400-022		SCW SM 10 x ¾" HEX HD
6	47-8469-039	84117	Cover, DC-7 Back Black	31	47-0297-001		SCW #6 X 1¼ 'A' PH FT
7	47-0020-512		Suction Line	32	47-0140-007	510434	Gasket, DC-7 Door Magnetic
8	53-0172-013	1009844	Drier	33	47-0400-024	510518	SCW ST 8 - 32 x ½ PH FT HD BLK
9	47-0180-002	1009845	Power Cord	34	53-0149-069	510108	Spring, DC-5/7/12/22 Door
10	47-0033-305	1022174	Tray, DC-6 Cond. Drip	35	47-0530-188	510498	Hinge, DC-7 Bottom Bracket
11	47-0100-238	1009843	Hot Gas DC-6 Spiral	36	47-0080-006	510044	Insert, Bronze
12a	47-0430-128	62189	Overload THA1358YXA Tecumseh	37	47-0090-082	1009577	Pin, Pivot Bottom
12b	47-0430-233		Overload EM2Y50HLT Embraco	38a	47-0010-615	59359	Handle Assy.
13a	47-0430-129	62110	Relay THA1358YXA Tecumseh	38b	47-0120-166	1002413	Handle Recess Dr Charcoal Gray
13b	47-0430-234		Relay EM2Y50HLT Embraco	39	47-7618-401	1000690	Door DC-7 w/o Gas, Handle
14	53-0303-130		SCW MA ¼ -20 x 1½ PH PAN HD	40	47-0090-081	1009576	Pin, Pivot Top
15	47-0530-196	510456	Leg, DC-7 (1" Non-Adjustable)	41	47-0530-187	58186	Hinge, DC-7 Top Bracket
16	18-9723-000		Grommet (Comp. Foot)	42	47-0400-021		SCW SM #10 x ¾ 'B' Hex HD
17	47-0370-001		Clip, Compressor	43	47-0120-061	510188	Guard Fan Evap. Black
18a	47-0530-418	320672	Compressor, THA1358YXA Tecumseh	44	47-0450-153	1022057	Lead, AC Axial Fan 24" LG
18b	47-0530-659		Compressor, EM2Y50HLT Embraco	45	47-0033-275	80281	Tray, DC-7 Shroud Drip
19	47-0031-414		Base, DC-7 Refrigeration	46	47-0410-037	96777	Motor, Fan Muffin AA 128 1UX
20	47-0430-076	510506	Cover, Elect.	47	47-0430-023	510440	Cold Control DC-7
21	47-0120-157		P Clip	48	31-4213-000	151668	Connector Drain ½ - 20
22a	47-0430-130	62080	Capacitor THA1358YXA Tecumseh	49	47-0460-005	69695	Washer Drain
22b	47-0430-235		Capacitor EM2Y50HLT Embraco	50	31-4214-000	1003788	Drain Adapter
23	47-7605-300	510466	Glass, DC-7 Side	51	47-0010-415	83001	Shroud Assy. DC-7
24	47-0530-203	510458	Leg, DC-7 (1" Adjustable)	52	47-0120-055	510516	Button, Belly Black
25	47-0010-484	63703	Window, Frame Kit, DC-7	53a	47-0530-185	69259	Evap Coil DC6
				53b	47-0530-464		Evap Coil DC7 New
					47-0520-266		Kit, Electrics for THA1358YXA
					47-0520-269		Kit, Electrics for EM2Y50HLT

**Note: DC-7 Embraco Compressor went into production on 06-AUG-15
Starting Serial # 1BV150804311679**

**Note: DC-7HG Embraco Compressor went into production on 13-AUG-15
Starting Serial # 1BW150804312830**

Accessories:

47-0034-128	61726	Key, Door T-Handle
47-0520-185	1000383	Door Lock, DC6/7/10/12
47-0520-195		Kit, Cold Control 023 w/Knob
47-0520-238	1007159	Kit, DC6/7 LED Conversion
47-7866-039	510488	Stand, DC7 Black
47-8469-039	84117	Cover, DC7 Back Cond Black