

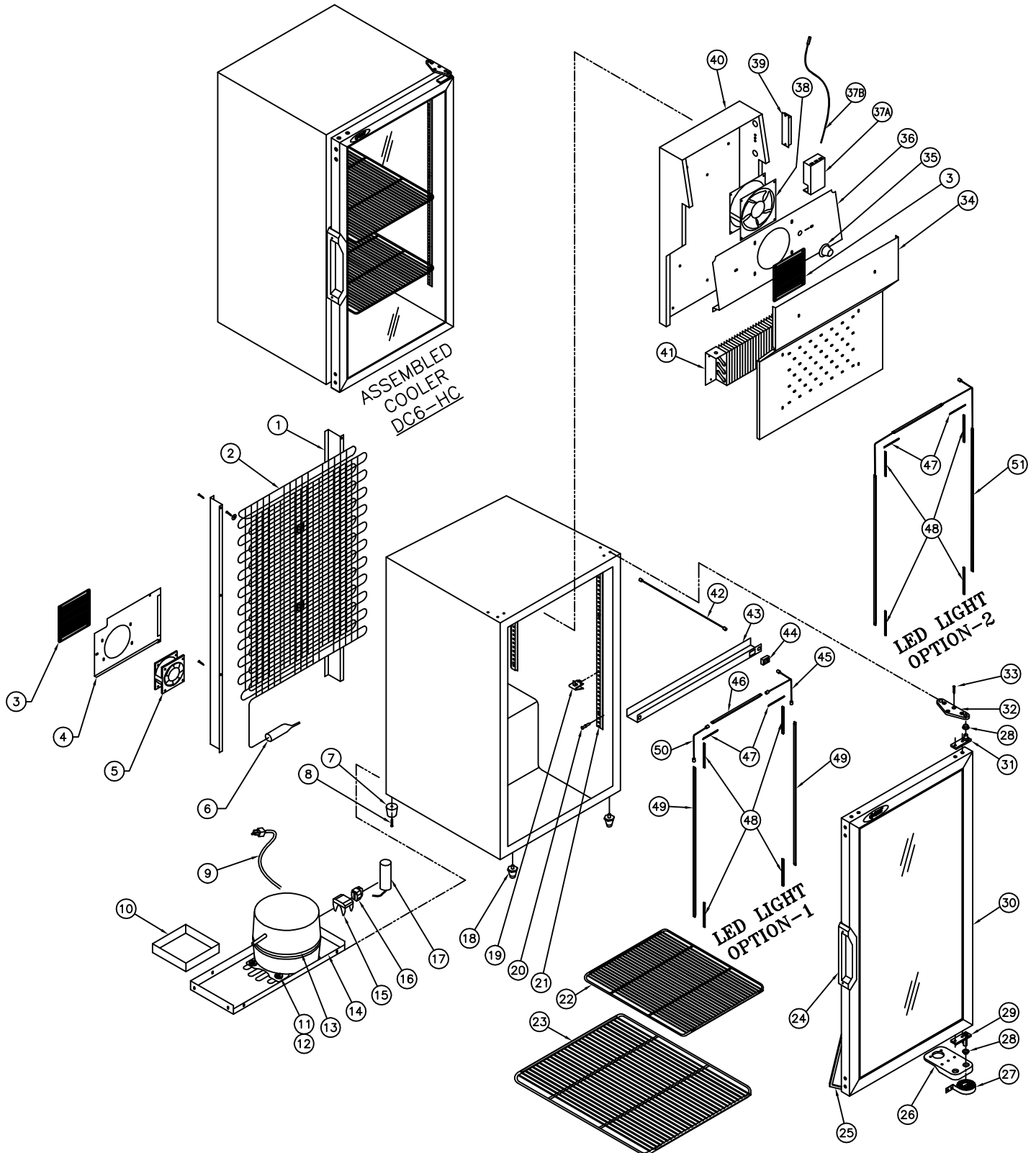
31 BRAMSTEELE ROAD
BRAMPTON, ONTARIO
L6W 3K6

QBD® Cooling Systems Inc.

TEL: (905) 459-0709
FAX: (905) 459-1478

COOLER : DC6-HC
84-9506-XXX 120V, 60Hz

Exploded View : DC6-HC





Cooling Systems Inc.

31 Bramstele Rd
Brampton, Ontario, Canada
L6W 3K6

Telephone: (905) 459-0709
Toll Free: (800) 663-3005
FAX: (905) 459-1478
info@qbd.com
www.qbd.com

DC6-HC Cooler

(84-9506-XXX) 120V, 60 Hz.

Item No.	Part No.	Pepsi Part No.	Description	Item No.	Part No.	Pepsi Part No.	Description
1	47-9115-039		Channel Back DC6	27	53-0149-069	510108	Spring Door
2	47-0530-702		Condenser Coil Static Common	28	47-0080-006	510044	Insert Bronze
3	47-0200-160		Grill, Evap/Cond Fan	29	47-0090-082	1009577	Pivot Pin Bottom - Steel
4	47-0035-032		Plate, DC6 Cond. Fan	30	47-7630-739	1006933	Door Assy DC6
5	47-0410-067		Motor Fan Muffin EBM EMC	31	47-0090-081	1009576	Pivot Pin Top - Steel
6	47-0011-317		Drier Assy, 1/4" Swagged	32	47-0530-187	58186	Hinge, DC7/12 Top Bracket
7	47-0530-196	510456	Leg, Non Adjustable	33	47-0400-024	510518	SCW, ST 8 - 32 x 1/2 FT HD BK QUA
8	47-0301-012		SCW SM 10 X 2" PH PAN HD UNICH	34	47-0034-999		Cover, DC6 Lower Shroud
9	47-0180-002	1009845	Power Cord 18G 8'	35	47-0430-208		Knob Hand Black
10	47-0033-305	1022174	Drip Tray, DC6/7 Cond.	36	47-0035-479		Cover, DC6-HC Upper Shroud
11	18-9723-000		Grommet (Comp. Foot)	37a	47-0430-206		Control, ETC 1H1
12	47-0370-001		Clip, Compressor Mounting	37b	47-0430-207		Sensor, NTC Temp
13	47-0530-691		Compressor, 1/6 HP EMI50UER Embraco	38	47-0410-067		Motor Fan Muffin EBM EMC
14	47-0035-033		Base, DC6 Refrigeration	39	47-0440-088		Driver, LED 10W IP-66
15	47-0430-251		Overload EMI50UER Embraco	40	47-0035-476		Shroud, DC6-HC
16	47-0430-249		Relay EMI50UER Embraco	41	47-0530-185	69259	Evap Coil DC6
17	47-0430-250		Capacitor EMI50UER Embraco	42	47-0450-320		Harness, DC6/7-HC LED Switch
18	47-0530-203	510458	Leg, Adjustable	43	47-0035-477		Channel, DC6/LP-HC LED Switch
19	53-0377-032	510362	Bracket (clip) Shelf Support	44	47-0430-252		Switch Rocker 10A
20	47-0400-007	510282	SCW Pilaster Strip "Custom"	45	47-0450-319		Connector, DC6/7-HC Wire Lead
21	47-0033-310		Pilaster Strip DC6	46	47-0530-669	1027015	LED, 11.5" L11 - 11.5 Series
22	47-0200-252		Shelf DC6 Lower	47	47-0130-748		Cap, CD26-HC Side LED Snap 2.75
23	47-0200-174	1002393	Shelf DC6	48	47-0130-785		Cap, CD45-HC Top LED
24	47-0120-166	1002413	Handle, Recess DR Charcoal Gray	49	47-0530-670	1027015	LED, 23.5" L11 - 23.5 Series
25	47-0140-016	1001429	Gasket, DC6 Door Mac. M-218	50	47-0450-287		Connector, 4" Butt
26	47-0530-188	510498	Hinge, DC7/12 Bottom Bracket	51	47-0530-706		LED, Daisy Chain 2' - 1' - 2'

Optional Back Cover:

47-8475-039		Cover, DC6 Cond New Style
47-8468-039	1008529	Cover, DC6 Cond Back Black

Decals / Lens:

47-8470-XXX		Decal Door DC6
47-8471-XXX		Decal, DC6 RH Side Decal
47-8472-XXX		Decal, DC6 LH Side Decal

Accessories:

47-0011-494		Shroud Assy, DC6-HC
47-0034-128	61726	Key, Door T-Handle
47-0520-185	1000383	Kit, Lock Door DC6/7/10/12
47-0520-209	1009774	Kit, DC6 Leg Lift 1 1/4" Max
47-0520-210		Kit, DC6 Cond. Cover Opening
47-0520-253	1009773	Kit, DC6 SS Cover Top
47-0530-499		Leg, DC6 1 1/4" Adjustable
47-0530-637		Leg, DC6 Adjustable