

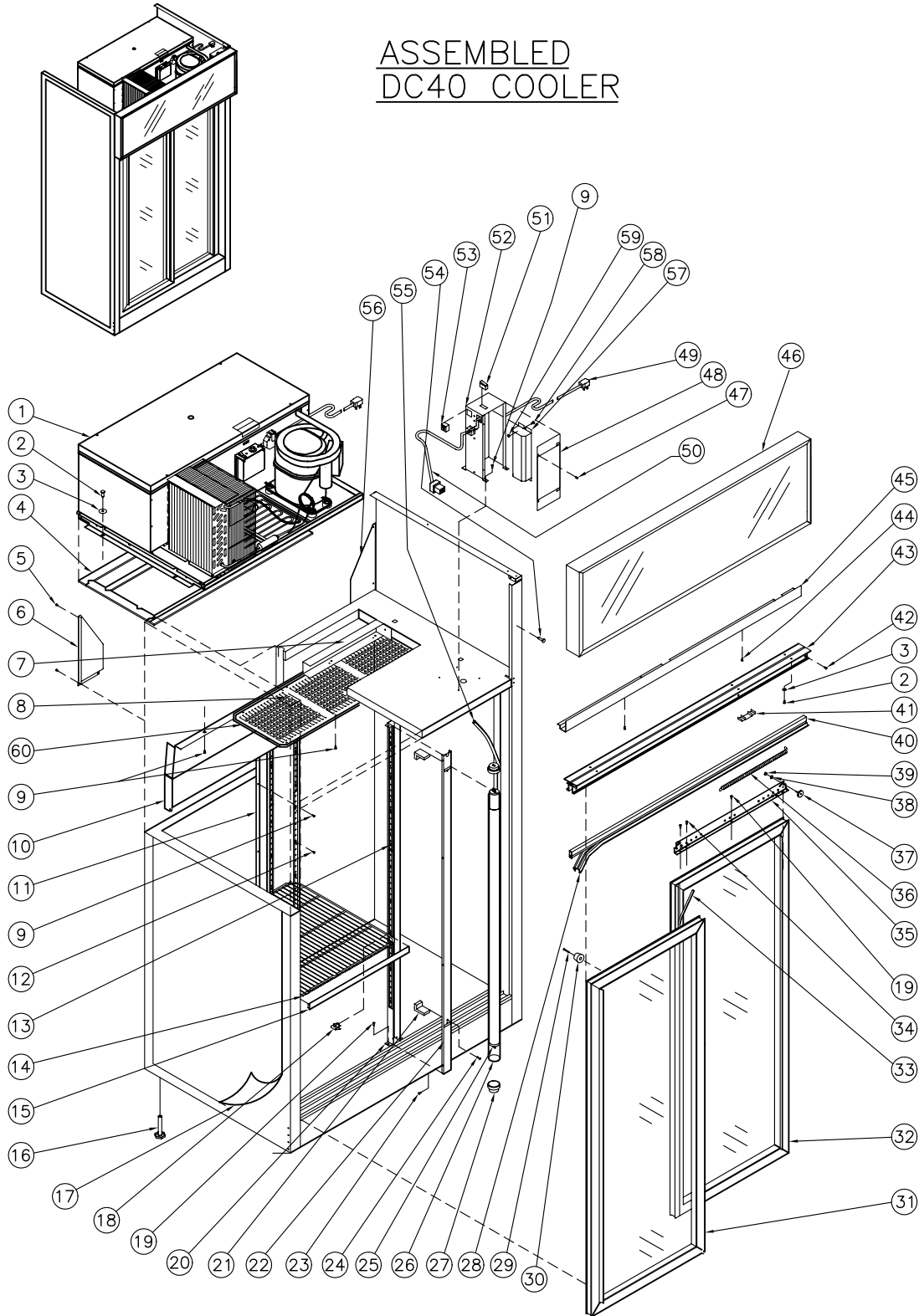
QBD® Cooling Systems Inc.

31 BRAMSTEELE ROAD
BRAMPTON, ONTARIO
L6W 3K6

TEL: (905) 459-0709
FAX: (905) 459-1478

COOLER:
DC40 34-9508-XXX 120V, 60Hz.

ASSEMBLED DC40 COOLER





Cooling Systems Inc.

31 Bramstele Rd
 Brampton, Ontario, Canada
 L6W 3K6
 Telephone: (905) 459-0709
 Toll Free: (800) 633-3005
 FAX: (905) 459-1478
info@qbd.com
www.qbd.com

DC40 Cooler

(34-9508-XXX) 120V, 60 Hz.

Item No.	Part No.	Pepsi Part No.	Description	Item No.	Part No.	Pepsi Part No.	Description
1	47-0010-370	1004717	Refr Chassis Super ½ HP	31	47-7526-739		Door Assy Complete DC40 LH
2	47-0264-308	83973	Scw, MA ¼ - 20 x ¾ PH Pan HD	32	47-7527-739	83977	Door Assy Complete DC40 RH
3	53-0267-006	83974	Washer ¼" Split Lock	33	47-7361-039	69563	Seal Foam Door Vert 5" Long
4	47-0060-083	1006865	Seal Gasket Ref & Cab 40/60 Kit	34	47-0400-019		Scw TR 8-32 x ½ Slot Hex HD
5	20-1141-001		Scw, SD 8 x ½ PH Pan HD	35	47-7532-039	69710	Bracket Door Mtg P DC40 21½"
6	47-0030-630		Gusset Corner Rear LH	36	53-0149-076	1024322	Spring Door DC40
7	47-0030-875		Divider Evap Air DC40 & DC60	37	47-0530-088	69715	Wheel Sliding Door 1" Dia ¼ - 20
8	47-0031-290		Mesh, Inlet DC40/49/60	38	53-0138-013	1006114	Washer, ¼" Int/Ext 'A'
9	53-0301-021		Scw SM 8 x ½ 'AB' PH TR HD	39	47-0360-036	1006115	Nut, ¼ - 20 HX 2 Way Lock ZC
10	47-0030-855		Baffle Air Discharge DC40S	40	47-7393-239	1008150	Seal Holder Door DC40
11	47-0030-801		Pilaster Support Center Rear	41	47-7386-039	67589	Extrusion Track Filler .875
12	47-0400-007	510282	Scw SM 8-18x.65 A Space Hex HD	42	20-0468-004		Scw SM #6 x ½ 'A' PH TR HD
13	53-0377-031	80230	Pilaster Strip	43	47-0031-570		Track Door 43" Long DC40 /98
14	47-0200-025	81742	Shelf DC40/DC60 Standard	44	20-0468-012		Scw SM 8 x ¾ 'AB' PH TR HD
15	47-7389-139		Price Tag Holder 22" LG	45	47-0030-846	69712	Xover Wireway Horiz Top DC40S
16	47-0530-089	510204	Level Leg ½ x 3 x 1.375 AF	46	47-0010-654	1003080	Sign Assy DC40/SL40 Black
17	47-7046-xxx		Decal (Side)	47	47-0400-012		Scw, SM 8x.375 'B' Ind Hex HD
18	53-0377-032	510362	Bracket (Clip) Shelf Support	48	47-0030-800		Cover Power Box
19	47-0400-021		Scw SM 10 x ¾ "B" Ind SL HX HD	49	18-7218-001	1007217	Cord Service 16/3 SJTW-A 12' Long
20	47-0030-779		Post Center Front Stucco Alum	50	47-0450-138	1000256	Harness, 68" 9 Pos
21	47-0440-076	81809	Lampholder Euro-Type Shunted	51	47-0520-257		Kit, Switch Replacement
22	47-7515-033	69705	Cover Center Lightpost Front	52	47-0032-023		Box Power L1
23	47-0400-012		Scw SM #8x.375 "B" Ind Hex HD	53	47-0440-007	1003097	Outlet 3 Wire 115V C/W Term
24	20-0469-016		Scw MA 6-32x.312 PH TR HD	54	47-0400-004	1003078	Scw. MA 8-32 X ½ PH TR HD
25	47-0530-257		Lamp Fluorescent Nom. 48"	55	47-7379-039	69690	Gasket Foam Vert. C-Fold 60" LG
26	47-0120-115		Protector Lamp Tube	56	47-0030-631		Gusset Corner Rear RH
27	47-0120-114	1020840	Cap, T8 Lamp Protector End	57	47-0530-264	60490	Ballast, Electronic 2 lamp.
28	47-7359-039	69706	Seal Foam Door Horiz (135½" L)	58	47-0254-005		Scw. MA 10-32 X .375
29	20-0468-012		Scw SM 8 x ¾ PH TR HD	59	20-0498-005		Nut 10-32 Keps
30	18-8950-000	69707	Rubber Feet / Door Stop	60	47-0130-153		Channel, Extrusion
					47-0520-206		Kit, Electrics for AKA4476YXA

Accessories:

47-0430-051	1003401	Capacitor AKA4476YXA Tecumseh
47-0430-052	83979	Overload AKA4476YXA Tecumseh
47-0430-170	1003032	Relay AKA4476YXA Tecumseh
47-0520-077	81272	Lock & Key Assy Sliding Door
47-0520-171	81506	Kit, DC40 Door Track / Sweep
47-0520-183		Kit, DC40/49 Lamp Conversion
47-0520-216	1001844	Caster Kit – Swivel Type
47-0520-245	1001883	Kit, Casters Transfer - No Wheels
47-7353-139		Trim, DC40/49/60 Door Handle
47-7355-239		Door Track Bottom DC40