

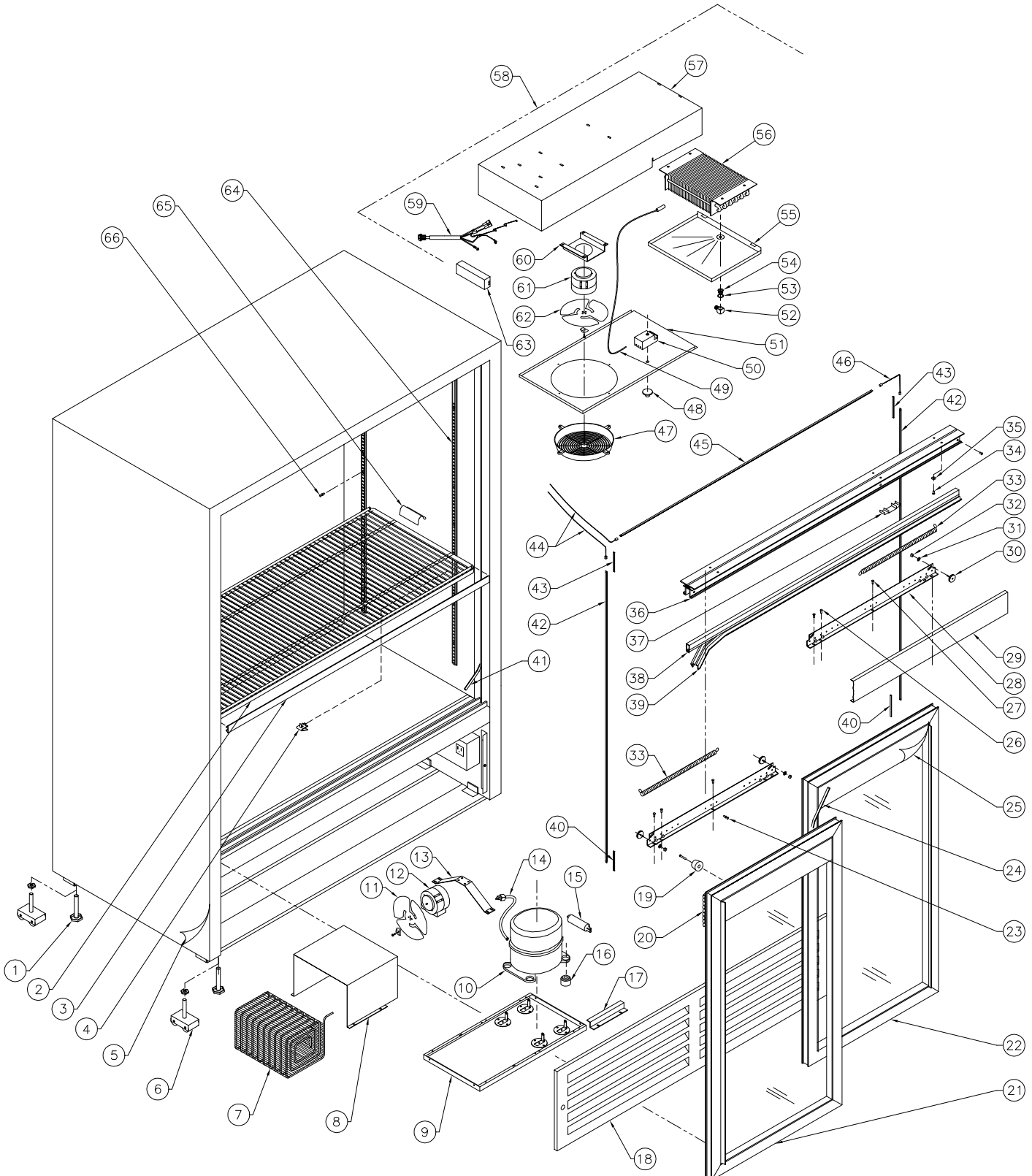
31 BRAMSTEELE ROAD
BRAMPTON, ONTARIO
L6W 3K6

QBD[®] Cooling Systems Inc.

TEL: (905) 459-0709
FAX: (905) 459-1478

COOLER : DC3356SSL-HC
84-6890-XXX 120V, 60Hz

Exploded View : DC3356SSL-HC





Cooling Systems Inc.

31 Bramsteele Rd
Brampton, Ontario, Canada
L6W 3K6

Telephone: (905) 459-0709
Toll Free: (800) 663-3005
FAX: (905) 459-1478
info@qbd.com
www.qbd.com

DC3356SSL-HC Cooler

(84-6890-XXX) 120V, 60 Hz.

Item No.	Part No.	Pepsi Part No.	Description	Item No.	Part No.	Pepsi Part No.	Description
1	47-0530-089	510204	Level Leg ½ x 3 x 1.375 AF	34	47-0264-308	83973	SCW MA ¼ - 20 x ¾ PH PAN HD
2	47-0200-246		Shelf Standard DC3354SSL	35	53-0267-006		Washer ¼ Split – Lock Zinc
3a	47-0130-577		Price Holder 30" Black CD14	36	47-0034-953		Track Door DC3354SSL
3b	47-0130-545		Price Holder 30" Blue CD14	37	47-7386-039	67589	Extrusion Track Filler .875
4	53-0377-032	510362	Bracket (clip) Shelf Support	38	47-7393-239	1008150	Seal Holder Door
5	47-9265-932		Decal Side DC3356SSL Pepsi	39	47-7359-039	1006617	Seal Foam Door Horiz 135½"
6	47-0520-265		Kit Caster Dual Wheel CD3055	40	47-0130-749		Cap Side LED Snap 4.5 CD4160
7	47-0530-679		Condenser Coil Tube/Wire	41	47-7379-139	1008528	Gasket Foam Vert. Cabinet 53" LG
8	47-0035-396		Shroud, Condenser DC3356SSL-HC	42	47-0530-671	1027017	LED 35.5" L11-35.5 Series
9	47-0035-393		Platform, Compressor DC3356SSL-HC	43	47-0130-785		Cap Top LED CD45-HC
10	47-0530-688		Compressor EM2X3121U ¼+ HP	44	47-0450-283		Connector Wire Lead 12"
11	47-0120-060		Fan Blade 6" Dia.	45	47-0530-670	1027016	LED 23.5" L11-23.5 Series
12	47-0410-071		Motor Fan UNADA-FM115609	46	47-0450-288		Connector Butt 12"
13	47-0035-394		Bracket Cond. Motor DC3356SSL-HC	47	47-0120-095		Guard Fan
14	18-7218-001		Cord Power 14/3 SJTW-A 12' LG	48	47-0430-208		Knob Cold Control
15	47-0011-316		Drier Assy ¼ Straight	49	47-0430-207		Sensor NTC Temp
16	18-9723-000		Grommet (Comp Foot)	50	47-0430-206		Control ETC 1H1
17	47-0035-395		Bracket Hold Down DC3356SSL-HC	51	47-0034-937		Cover Shroud DC3354SSL-HC
18	47-9230-039		Grill, Front Black DC3356SSL-HC	52	31-4214-000	1003788	Drain Adapter
19	47-0120-075	1024709	Bumper, Rubber Stopper #RB-186	53	47-0460-005	69695	Washer Drain Poly ½ ID x .687 OD
20	47-0010-182		Chain Door Hook Up	54	31-4213-000	151668	Connector Drain ½ - 20
21	47-9301-739	1022776	Door Assy. DC3356SSL-HC LH	55	47-0034-939		Drip Tray Evap DC3354SSL
22	47-9300-739		Door Assy. DC3356SSL-HC RH	56	47-0530-613		Coil, Evap DC3354SSL
23	47-0400-007	510282	SCW, Pilaster Strip "Custom"	57	47-0034-940		Shroud, Evap. DC3354SSL-HC
24	47-7361-039	69563	Seal Foam Door Vert (5 Ft. Req'd)	58	47-0011-421		Evap Shroud Assy. DC3356SSL-HC
25	47-9130-932		Decal Header DC3354SSL Pepsi	59	47-0450-324		Harness, PC8L-HC Refrigeration
26	47-0400-019		SCW TR 8 - 32 x ½ Slot Hex HD	60	47-0030-889		Bracket Evap Motor Bent Mounting
27	20-0468-012		SCW SM 8 X ¾ PH TR HD	61	47-0410-071		Motor Fan UNADA-FM115609
28	47-0034-929		Bracket Door Mounting DC3354SSL	62	47-0530-541		Fan Blade OP OU7737
29	47-9082-039	1006317	Cover Wheel Black DC3354SSL	63	47-0440-087	1029550	Driver, LED 20W
30	53-0530-088	69715	Wheel Sliding Door 1" Dia ¼ - 20	64	47-0033-989		Pilaster Strip 34¾"
31	53-0138-013	1006114	Washer ¼ Int - Ext 'A'	65	47-0033-885		Clip, Shelf Stopper DC4154SL
32	47-0360-036	1006115	Nut ¼ - 20 Hex 2 Way Lock Zinc	66	47-0400-007	510282	SCW, Pilaster Strip "Custom"
33	53-0149-076	1024322	Spring Door DC40/49				

Decals / Lens:

47-9130-XXX	Decal Door DC3354-56SSL
47-9265-XXX	Decal Side DC3356SSL RH
47--XXX	Decal Side DC3356SSL LH

Accessories:

47-0011-226	1005043	Shelf, CD4154/56/60 600ml Gravity
47-0130-591		Shelf Glides, CD4154/56/60 Blue
47-0430-246		Relay EM2X3121U ¼+ HP
47-0430-247		Overload EM2X3121U ¼+ HP
47-0430-248		Capacitor EM2X3121U ¼+ HP
47-0520-279		Kit, Electrics for EM2X3121U ¼+ HP
47-0520-077	81272	Kit, Lock for Sliding Door
47-0520-216	1001844	Caster Kit – Swivel Type
47-0520-245	1001883	Kit, Casters Transfer - No Wheels
47-0130-777		Trim Door Handle DC3355SSL
47-0130-666		Door Track Bottom DC3354SSL