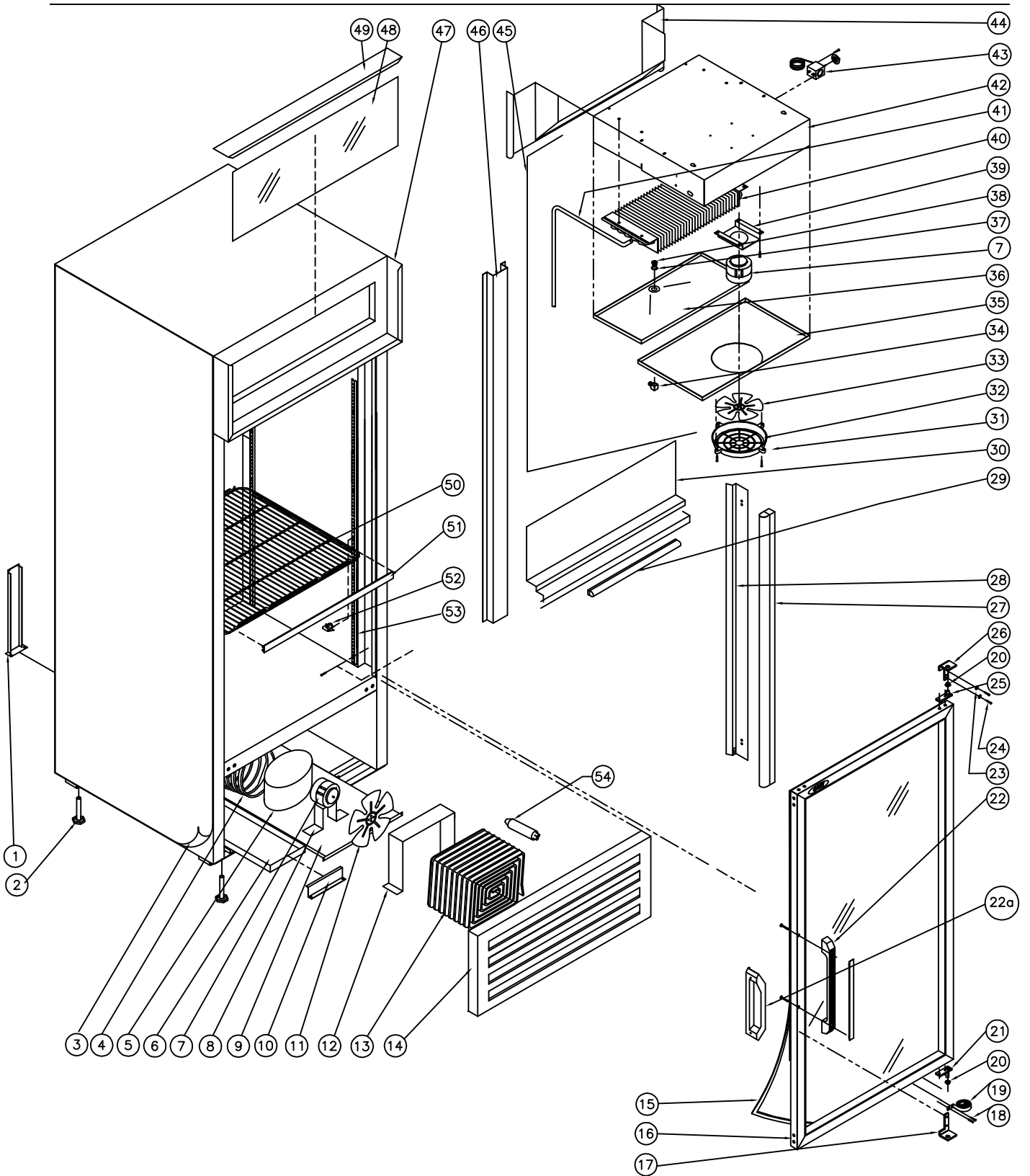


QBD[®] Cooling Systems Inc.

31 BRAMSTEELE ROAD
BRAMPTON, ONTARIO
L6W 3K6

TEL: (905) 459-0709
FAX: (905) 459-1478

COOLER:
DC26-34-6826





Cooling Systems Inc.

31 Bramstele Rd
Brampton, Ontario, Canada
L6W 3K6

Telephone: (905) 459-0709
Toll Free: (800) 633-3005
FAX: (905) 459-1478
info@qbd.com
www.qbd.com

DC26 Cooler

(34-6826-XXX) 120V, 60 Hz.

| Item No. | Part No. | Pepsi Part No. | Description | Item No. | Part No. | Pepsi Part No. | Description |
|----------|-----------------------------|----------------|------------------------------------|----------|-----------------------------|----------------|--------------------------------|
| 1 | 47-0031-869 | | Support DC26 Brace | 29 | 47-0530-569 | 1005655 | LED Lamp 6 Watts |
| 2 | 47-0530-089 | 510204 | Level Leg .500X3.000X1.375 AF | 30 | 47-8037-033 | | Reflector DC26 Top Sign |
| 3 | 47-7046-932 | | Decal, DC40 Pepsi 2014 Side | 31 | 47-0400-021 | | SCW SM #10 x ¼ 'B'P HEX HD |
| 4 | 47-0100-121 | | Suction Line DC26 Spiral | 32 | 47-0120-095 | 69699 | Guard Fan |
| 5 | 47-0530-126 | 560906 | Compressor, AEA4440YXA 1/3 HP | 33 | 47-0530-531 | | Fan Blade Evaporator 7.75 Dia. |
| 6 | 47-0032-161 | 1001289 | Drip Tray DC26 Condenser | 34 | 31-4214-000 | 1003788 | Drain Adapter |
| 7 | 47-0410-027 | 510098 | Motor, Fan 9 Watt | 35 | 47-0031-971 | | Cover, Air Tunnel DC26 |
| 8 | 47-0031-801 | | Bracket, Cond. Motor | 36 | 47-0031-972 | 1023409 | Drip Tray, DC26 Evap |
| 9 | 47-0031-804 | | Platform DC26 Compressor | 37 | 47-0460-005 | 69695 | Washer Drain Poly |
| 10 | 47-0031-973 | | Hold Down, DC26 Cond Drip Tray | 38 | 31-4213-000 | 151668 | Connector, Drain |
| 11 | 33-2420-001 | 1003098 | Fan Blade Condenser 8.75 Dia. | 39 | 47-0031-011 | | Mounting Bracket, Evap Motor |
| 12 | 47-0031-799 | | Shroud Condenser DC26 | 40 | 47-0530-245 | 1007193 | Evap. Coil DC26 |
| 13 | 47-0530-259 | 1004639 | Condenser Lint Forgiving Coil | 41 | 47-0100-123 | | Suction Line DC26 Interior |
| 14 | 47-0120-182 | 1004989 | Grill, DC/CD26 Plastic Front Black | 42 | 47-0032-062 | | Shroud, DC26 Evap. |
| 15 | 47-0140-011 | 68756 | Gasket DC/CD26 Door Mac. M-218 | 43 | 47-0430-093 | 83987 | Cold Control |
| 16 | 47-7622-739 | 1002054 | Door Assy DC/CD26 | 44 | 47-0010-589 | | Discharge Panel Assy. DC26 |
| 17 | 47-0090-013 | 80977 | Hinge RH Bottom Door | 45 | 47-0010-587 | | Shroud Assy DC-26 |
| 18 | 20-0470-002 | 81343 | SCW ST 8-32x.312"PH Pan HD 'F' | 46 | 47-0031-797 | 1002022 | Channel Cover DC26 |
| 19 | 53-0149-069 | 510108 | Spring Door | 47 | 47-8036-039 | 83855 | Frame, Top Sign DC/CD26 |
| 20 | 47-0080-006 | 510044 | Insert Bronze | 48a | 47-8045-633 | | Lens, CD26 Top Sign White |
| 21 | 47-0090-082 | 1009577 | Pin, Pivot Bottom | 48b | 47-8045-932 | 83856 | Lens, CD26 Top Sign Pepsi |
| 22a | 47-0120-166 | 1002413 | Handle Recess Dr Charcoal Gray | 49 | 47-8968-039 | | Cover, DC/CD26 Top Sign Black |
| 22b | 47-0010-615 | 59359 | Handle Assy. Kit | 50 | 47-0200-123 | 80840 | Shelf, Standard DC/CD26 |
| 23 | 53-0267-006 | 83974 | Washer ¼ Split Lock Zinc | 51a | 47-0130-254 | 58739 | Price Holder DC/CD26 Blue |
| 24 | 47-0264-308 | 83973 | SCW MA ¼-20x.750 PH Pan HD | 51b | 47-0130-255 | | Price Holder DC/CD26 Black |
| 25 | 47-0090-081 | 1009576 | Pin Pivot Top | 52 | 53-0377-032 | 510362 | Bracket (clip) Shelf Support |
| 26 | 47-0090-012 | 81559 | Hinge RH Top Door | 53 | 53-0377-031 | 80230 | Pilaster Strip 52" Aluminium |
| 27 | 47-0530-571 | 1005656 | LED Lamp 16 Watts | 54 | 47-0011-317 | | Drier Assy, ¼ Swagged |
| 28 | 47-8034-033 | 1003943 | Reflector, DC26/DC47 Lamp | | | | |

[47-0520-205](#)

Kit, Electrics for AEA4440YXA

Left Hand Hinge Parts:

| | | |
|-----------------------------|---------|-----------------------|
| 47-0090-015 | 1001724 | Hinge, LH Bottom Door |
| 47-0090-014 | 1001725 | Hinge, LH Top Door |

Accessories:

| | | |
|-----------------------------|---------|-----------------------------------|
| 47-0010-620 | 1004687 | Shelf, DC26 600ml Gravity |
| 47-0034-128 | 61726 | Key, Door T-Handle |
| 47-0520-198 | | Kit, Cold Control 093 w/Knob |
| 47-0520-215 | 1001418 | Kit, Lock Hasp Single Door |
| 47-0520-216 | 1001844 | Caster Kit – Swivel Type |
| 47-0520-240 | 1020801 | Kit, DC26 LED Conversion |
| 47-0520-245 | 1001883 | Kit, Casters Transfer - No Wheels |
| 47-0430-053 | | Relay AEA4440YXA |
| 47-0430-055 | | Overload AEA4440YXA |
| 47-0430-060 | | Capacitor AEA4440YXA |