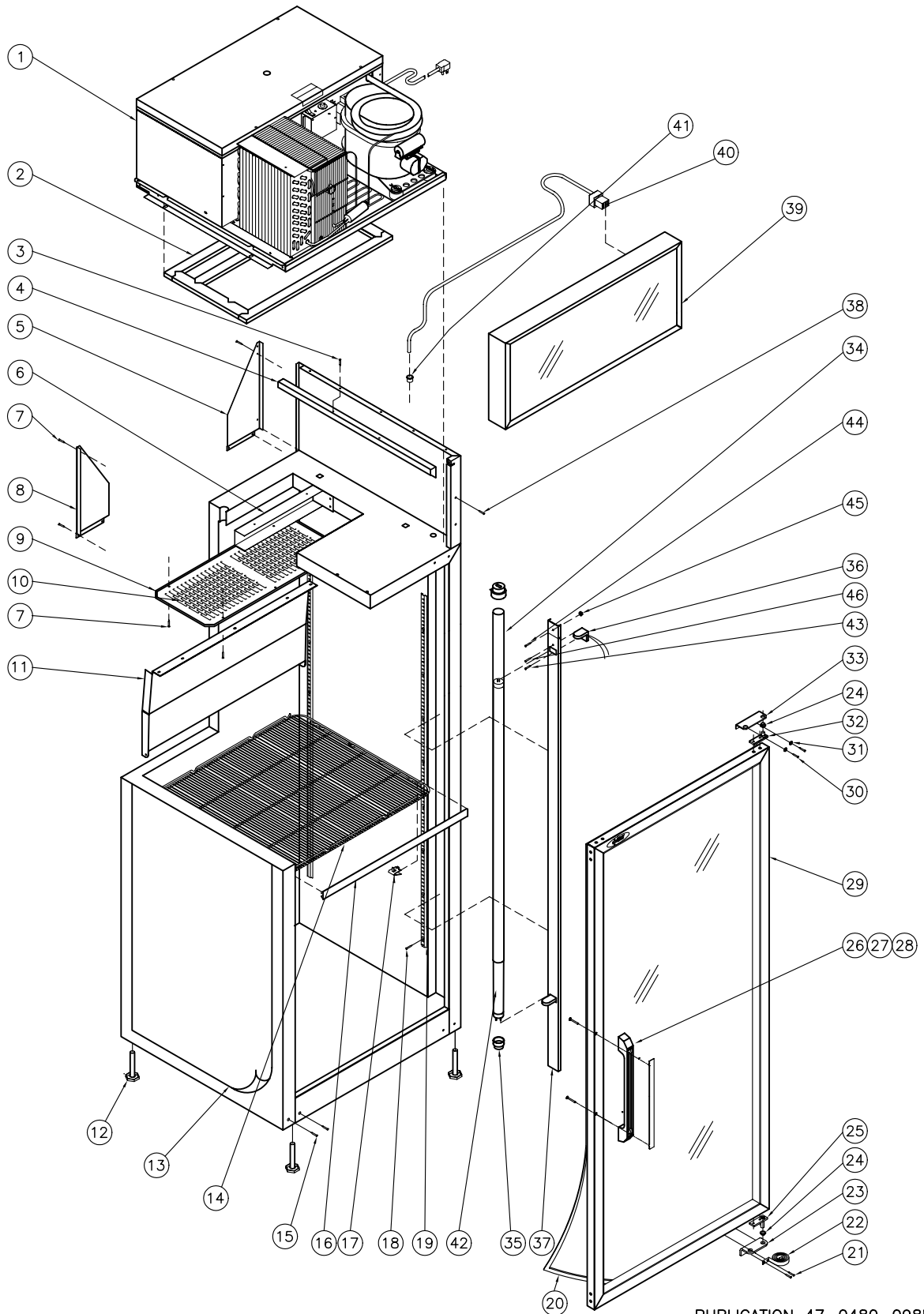


31 BRAMSTEELE ROAD
BRAMPTON, ONTARIO
L6W 3K6

QBD[®] Cooling Systems Inc.

TEL: (905) 459-0709
FAX: (905) 459-1478

COOLERS:
DC22 34-9501-XXX 120V, 60Hz.





Cooling Systems Inc.

31 Bramsteede Rd
Brampton, Ontario, Canada
L6W 3K6

Telephone: (905) 459-0709
Toll Free: (800) 633-3005
FAX: (905) 459-1478
info@qbd.com
www.qbd.com

DC22 Cooler

(34-9501-XXX) 120V, 60 Hz.

(34-9401-XXX) 120V, 60 Hz.

(38-9501-XXX) 220V, 50 Hz.

(39-9501-XXX) 230V, 60 Hz.

Item No.	Part No.	Pepsi Part No.	Description	Item No.	Part No.	Pepsi Part No.	Description
1	47-0010-366		Refrig. Chassis 1/3 HP	24	47-0080-006	510044	Bronze Insert 3/8 ID x 1/2 OD
2	47-0060-086	1003063	Gasket Seal Refr & Cab	25	47-7140-001	510024	Pivot Pin, Bottom Assy Door
3	53-0301-021		SCW ST 8 x 1/2 PH TR HD	26	47-7159-000		Handle Door DC5/7/22
4	47-0030-671		Stiffener, Top Side DC22	27	47-0247-811		SCW MA 8-32 x 1 1/4 SL RD HD
5	47-0030-631		Gusset Corner, Rear RH	28	47-0010-615	59359	Handle Assy, Kit
6	47-0031-351		Divider, Evap Air DC22	29	47-7668-739	68863	Door Assy DC22 Complete
7	20-1141-001		SCW SD 8 x 1/2 PH Pan HD	30	47-0264-308	83973	SCW MA 1/4 - 20 x 3/4 PH Pan HD
8	47-0030-630		Gusset Corner, Rear LH	31	53-0243-006		Washer, Lock # 8 'A'
9	47-0130-153		Channel, Extrusion	32	47-7140-002	58187	Pivot Pin, Top Assy Door
10	47-0031-305		Air Inlet, Mesh DC22	33	47-7138-001	63252	Hinge Plate, Top DC22
11	47-0031-116		Panel Air Discharge	34	47-0120-115		Protector Lamp Tube
12	47-0530-089	510204	Level Leg	35	47-0120-114	1020840	Cap, T8 Lamp Protector End.
13	47-7055-932		Decal, Side Panel Pepsi	36	47-0440-076	81809	Lamp Holder Euro-Type Shunted
14	47-0200-064	69074	Shelf, DC22/49 Standard	37	47-7131-133		Lamp Holder DC12/DC22
15	47-0120-063		Belly Button Black	38	47-0400-004	1003078	SCW MA 8 - 32 x 1/2 PH TR HD
16a	47-7366-339		Xrice Holder 22"	39	47-0010-651	1003403	Sign Assembly DC22 Blk
16b	47-7389-139		Price Tag Holder 22" LG	40	47-0450-138	1000256	Harness, 68" - 9 Pos.
17	53-0377-032	510362	Bracket, (Clip) Shelf Support	41	33-1303-000	69703	Bushing, Electrical Snap .406 ID
18	47-0400-007	510282	SCW Pilaster Strip "Custom"	42	47-0530-257		Lamp Fluorescent Nom 48"
19	53-0377-031	80230	Pilaster Strip	43	20-0469-016		SCW MA 6-32 x .312
20	47-0140-002	65669	Gasket, Door Magnet DC22	44	32-0770-000		SCW MA 8-32 x .375
21	20-0470-002	81343	SCW ST 8-32x.312 Pan HD Sem	45	20-0498-003		Keps Nut 8-32
22	53-0149-069	510108	Spring, Door	46	20-0468-012		SCW SM #8 x 3/4
23	47-7137-001	63251	Hinge Plate, Bottom DC22				

Accessories:

47-0034-128	61726	Key, Door T-Handle
47-0130-247	1008788	Price Holder Blue DC22
47-0430-053	1003038	Relay, AEA440YXA
47-0430-055	510366	Overload, AEA4440YXA
47-0430-060	320002	Capacitor, AEA4440YXA
47-0520-094		Kit, Handle Door DC22 Retrofit
47-0520-182		Kit, DC22 Lamp Conversion
47-0520-205		Kit, Electrics for AEA4440YXA 1/2 HP
47-0520-215	1001418	Kit, Lock Hasp Single Door
47-0520-216	1001844	Caster Kit - Swivel Type
47-0520-245	1001883	Kit, Casters Transfer - No Wheels