



QBD

QBD MODULAR SYSTEMS INC.

31 BRAMSTEELE ROAD, BRAMPTON, ONTARIO, CANADA L6W 3K6

WWW.QBD.COM

1-800-663-3005

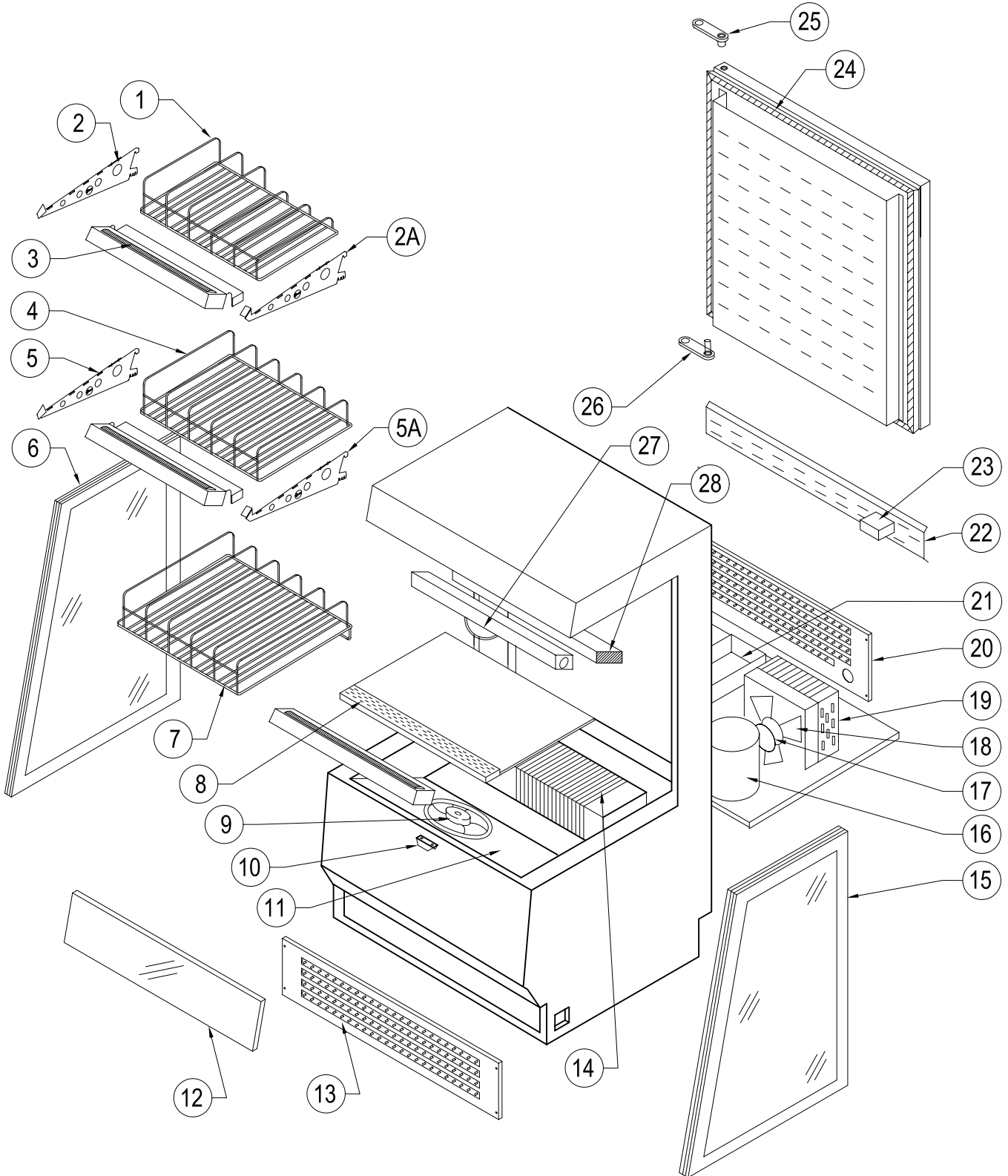
TEL: (905) 459-0709

FAX: (905) 459-1478

info@qbd.com

MODEL: CTR2952SSR

CTR2952SSR - PARTS EXPLODED VIEW





QBD

QBD MODULAR SYSTEMS INC.

31 BRAMSTEELE ROAD, BRAMPTON, ONTARIO, CANADA L6W 3K6

WWW.QBD.COM

1-800-663-3005

TEL: (905) 459-0709

FAX: (905) 459-1478

info@qbd.com

MODEL: CTR2952SSR

CTR2952SSR REPLACEMENT PARTS LIST

Item No.	PART No.	DESCRIPTION	Item No.	PART No.	DESCRIPTION
1	74-0200-209	TOP WIRE SHELF 10.25" D	21	74-0031-910	DRIP TRAY EVAPORATOR
2	74-0032-058	BRACKET TOP SHELF L.H.	22	74-0031-939	COVER CONTROL CTR2952SSR
2A	74-0032-059	BRACKET TOP SHELF R.H.	23	74-0430-005	CAROL CONTROL PJEZS00100
3	74-0530-086	LED LIGHT 20", 6W WARM WHITE	24	74-0140-007	GASKET, THERMAL DOOR
4	74-0200-210	MIDDLE WIRE SHELF, 14.375" D	25	74-0530-190	PIN PIVOT TOP
5	74-0032-060	BRACKET MID SHELF L.H.	26	74-0530-192	PIN PIVOT BOTTOM
5A	74-0032-061	BRACKET MID SHELF R.H.	27	74-0530-111	RAMI AIR CURTAIN,26.437"L
6	74-7400-069	THERMOPANE SIDE GLASS L.H.	28	74-0130-268	HONEYCOMB, CTR2952SSR
7	74-0200-211	BOTTOM WIRE SHELF, 18.00" D			
8	74-0031-906	PANEL FRONT VENT			
9	47-0410-047	9W EVAP. FAN MOTOR			
10	74-0032-381	BRACKET, NIGHT CURTAIN LOCK			
11	74-0031-908	SHROUD, EVAP. FAN			
12	74-0130-259	PLEXI FRONT, CTR2952SSR			
13	74-0030-567	GRILL FRONT S.S.			
14	74-0530-041	EVAPORATOR COIL,25.5"S-1CKT			
15	74-7400-070	THERMOPANE SIDE GLASS R.H.			
16	47-0530-147	AKA4476 COMPRESSOR			
17	47-0410-029	CONDENSER FAN MOTOR 16W			
18	53-0341-022	CONDENSER FAN BLADE			
19	74-0530-100	CONDENSER COIL			
20	74-0031-941	GRILL REAR S.S.			

NOTE:

TO ORDER THE PARTS PLEASE NOTE DOWN THE MODEL NO. AND SERIAL NO. OF THE UNIT.