

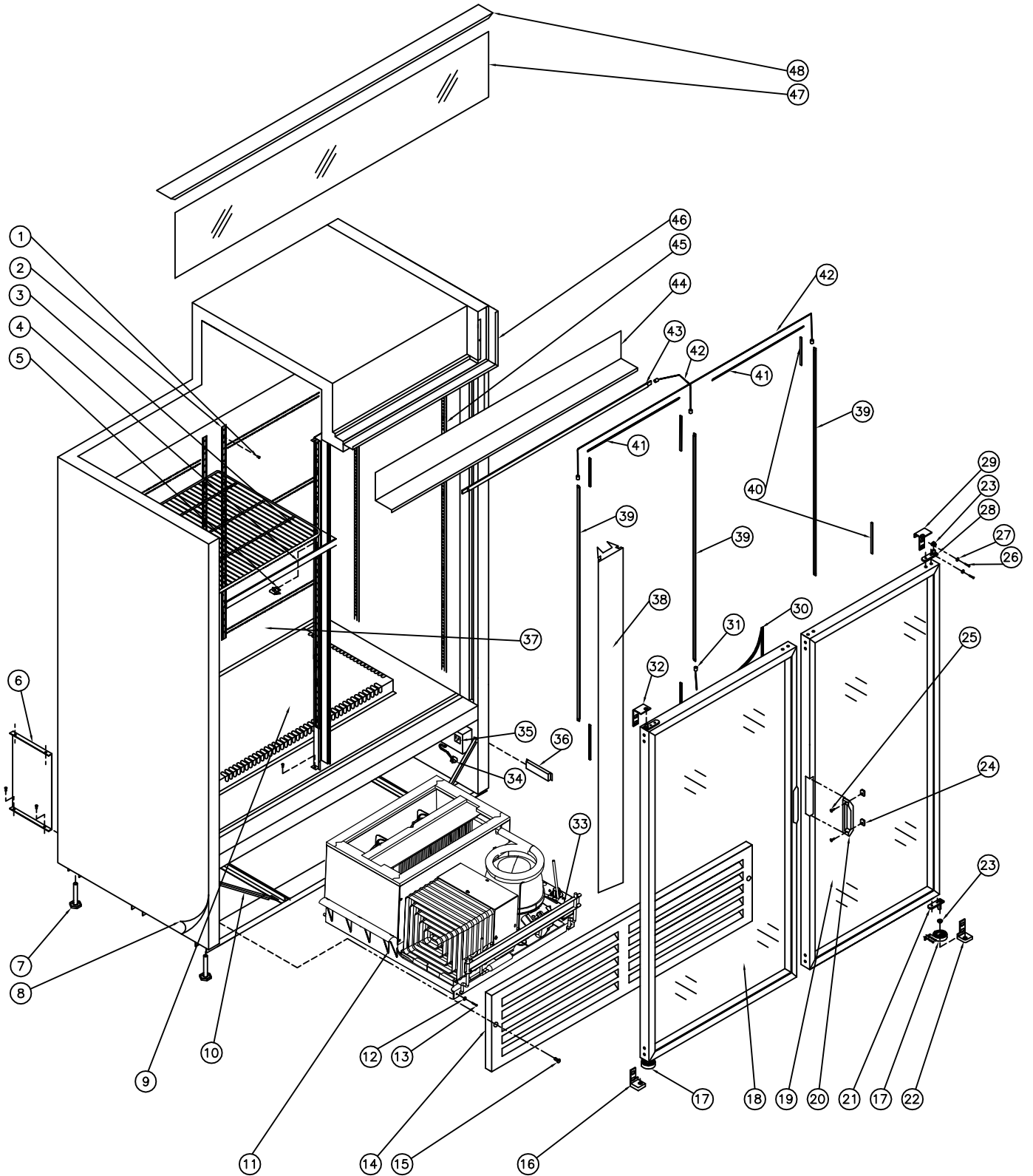
QBD® Cooling Systems

31 BRAMSTEELE ROAD
BRAMPTON, ONTARIO
L6W 3K6

TEL: (905) 459-0709
FAX: (905) 459-1478

COOLER : CD47-HC
84-7047-XXX

Exploded View : CD47-HC



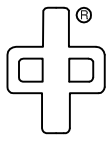
CD47-HC Cooler

(84-7047-XXX) 120V, 60 Hz.

| Item No. | Part No. | Pepsi Part No. | Description | Item No. | Part No. | Pepsi Part No. | Description |
|----------|-------------|----------------|---------------------------------------|----------|-------------|----------------|--|
| 1 | 47-0400-007 | 510282 | SCW Pilaster Strip "Custom" | 25 | 47-0400-038 | | SCW ST 8 - 32 x 7/8 FT HD BK QUAD |
| 2 | 47-0034-420 | | Pilaster Strip, 51" | 26 | 47-0264-308 | 83973 | SCW MA 1/4 - 20 x 3/4 PAN HD QUAD |
| 3 | 47-0200-131 | 1000382 | Shelf Standard DC45/47 | 27 | 53-0267-006 | 83974 | Washer 1/4 Split - Lock Zinc |
| 4a | 47-0130-248 | | Price Holder DC22/49 22 1/4 Black | 28 | 47-0090-081 | 1009576 | Pin Pivot Top |
| 4b | 47-0130-247 | 1008788 | Price Holder DC22/49 22 1/4 Blue | 29 | 47-0090-012 | 81559 | Hinge, DC/CD RH Top Door |
| 5 | 53-0377-032 | 510362 | Bracket (clip) Shelf Support | 30 | 47-0140-020 | 1009338 | Gasket, CD47 Door Mag. M-218 |
| 6 | 47-0034-415 | | Support CD Brace | 31 | 47-0450-285 | | Connector, 36" Wire Lead |
| 7 | 47-0530-089 | 510204 | Level Leg 1/2 x 3 x 1.375 AF | 32 | 47-0090-014 | 1001725 | Hinge, DC/CD LH Top Door |
| 8 | 47-7045-932 | | Decal, Side DC26/47 Pepsi | 33 | 47-0033-410 | 1007047 | Bracket, CD 1/2 - 1/2 HP Lift Rod Lock |
| 9 | 47-0035-103 | 1022158 | Duct, CD Large Air | 34 | 18-7218-001 | 1007217 | Cord, Power 14/3 SJTW-A 12' |
| 10 | 47-0035-091 | | Gusset, CD45 Front Beam | 35 | 47-0440-007 | 1003097 | Outlet, 3 Wire |
| 11 | 80-0011-207 | 1027022 | Ref. Chassis 1/2 HP CD HC R290 | 36 | 47-0440-087 | | Driver, LED 20W |
| 12 | 18-6147-002 | | Washer 5/16 Bolt Size 7/8" OD | 37 | 47-0034-504 | | Panel, CD45/47 Back Discharge |
| 13 | 20-0468-012 | | SCW SM #8 x 3/4 PH TR HD | 38 | 47-0011-073 | 1020460 | Mullion, CD Hinged Assy |
| 14 | 47-8110-039 | 1000660 | Grill, DC47 Front Black | 39 | 47-0530-672 | 1027018 | LED, 47.5" L11 47.5 Series |
| 15 | 47-0254-007 | | SCW MA 10 - 32 x 3/4 PH PAN HD | 40 | 47-0130-748 | | Cap, CD26-HC Side LED Snap 2.75 |
| 16 | 47-0090-015 | 1001724 | Hinge, DC/CD LH Bottom Door | 41 | 47-0130-751 | | Cap, CD47-HC Top LED Snap 22.56 |
| 17 | 53-0149-069 | 510108 | Spring DC Hinged Door | 42 | 47-0450-312 | | Connector, CD45/47 Wire Lead |
| 18 | 47-7648-739 | 1009355 | Door Assy, CD47 LH | 43 | 47-0530-672 | 1027018 | LED, 47.5" L11 47.5 Series |
| 19 | 47-7647-739 | 1009354 | Door Assy, CD47 RH | 44 | 47-0035-442 | | Reflector, CD47-HC Top Sign |
| 20 | 47-0120-166 | 1002413 | Handle, Recess Dr Charcoal Gray | 45 | 53-0377-031 | 80230 | Pilaster Strip, 52" |
| 21 | 47-0090-082 | 1009577 | Pin Pivot Bottom | 46 | 47-8105-039 | 1000659 | Frame, DC47 Top Sign |
| 22 | 47-0090-013 | 80977 | Hinge, DC/CD RH Bottom Door | 47a | 47-8096-633 | | Lens DC45 White |
| 23 | 47-0080-011 | 1005559 | Insert Bronze 5/8 OD x 1/4" | 47b | 47-8096-932 | 69848 | Lens DC45 Pepsi |
| 24 | 47-0090-072 | | Insert Door Handle | 48 | 47-8104-039 | 1000658 | Cover DC47 Top Sign |

Accessories:

| | | |
|--------------|---------|-----------------------------------|
| 47-0011-029 | 1004696 | Shelf, CD45/47 600ml Gravity |
| 47-0034-128 | 61726 | Key, Door T-Handle |
| 47-0060-178 | | Gasket Seal UL Ref CD 1/2 HP |
| 47-0130-441 | | Shelf Glide CD45 Blue |
| W47-0130-441 | | Shelf Glide CD45 White |
| 47-0520-216 | 1001844 | Caster Kit - Swivel Type |
| 47-0520-218 | 1005838 | Kit, CD Double Hinged Door Lock |
| 47-0520-245 | 1001883 | Kit, Casters Transfer - No Wheels |
| 47-0520-273 | | Kit, Electrics for TPA2414UDS |



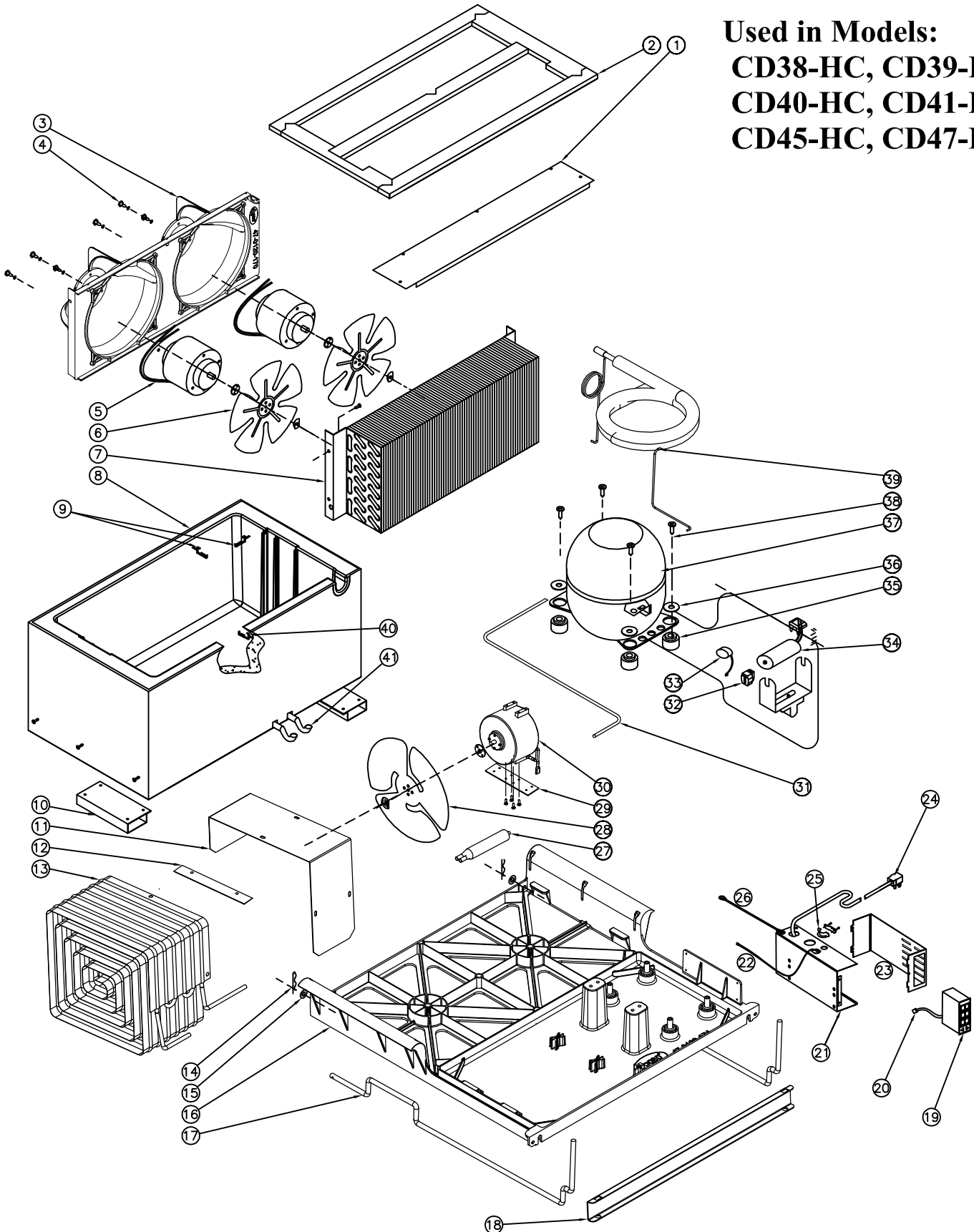
QBD[®] Cooling Systems Inc.

31 BRAMSTEELE ROAD
BRAMPTON, ONTARIO
L6W 3K6

TEL: (905) 459-0709
FAX: (905) 459-1478

REF. CHASSIS 1/2HP PLASTIC BASE
WITH DUAL EVAPORATOR FAN
80-0011-207 120V, 60Hz

**Used in Models:
CD38-HC, CD39-HC,
CD40-HC, CD41-HC,
CD45-HC, CD47-HC**





Cooling Systems Inc.

31 Bramsteele Rd
Brampton, Ontario, Canada
L6W 3K6

Telephone: (905) 459-0709
Toll Free: (800) 663-3005
FAX: (905) 459-1478
info@qbd.com
www.qbd.com

Refrigeration Chassis 1/2 HP

80-0011-207 HC R290

120V, 60 Hz.

| Item No. | Part No. | Pepsi Part No. | Description | Item No. | Part No. | Pepsi Part No. | Description |
|----------|-------------|----------------|---------------------------------------|-------------|-------------|----------------|------------------------------------|
| 1 | 47-0034-410 | | Baffle, CD 1/3 - 1/2 HP Evap Air | 22 | 47-0450-281 | | Harness, CD Compressor |
| 2 | 47-0060-178 | | Gasket Seal UL Ref CD 1/2 HP | 23 | 47-0035-463 | | Cover, HC Chassis Control |
| 3 | 47-0120-170 | 1007551 | Shroud, 1/2 HP CD, Evap, Plastic | 24 | 47-0450-261 | | Cord Power 3 Wire 1/4 CD 24" |
| 4 | 20-0470-002 | 81343 | SCW,ST 8-32x.312" PH PAN HD "F" | 25 | 47-0530-445 | | Non Metal Sheathed Cable Connector |
| 5a | 47-0410-068 | | Motor, 13W "ECM2" - Electric | 26 | 47-0450-143 | | Wire, 12" Green #10 Ring - #8 Ring |
| 5b | 47-0410-070 | | Motor, Fan WG-ECM7112 | 27 | 47-0011-317 | | Drier Assy 1/4" Swagged |
| 6 | 47-0530-541 | 57910 | Fan Blade OP OU7737-5 CW | 28 | 33-2420-001 | 1003098 | Fan Blade 8 3/4 Dia. 3BD CW |
| 7 | 47-0530-558 | 1007073 | Evap, Coil CD 1/2 HP | 29 | 47-0035-306 | | Bracket, NR Chassis Condenser Fan |
| 8 | 47-0011-205 | | Evap. Box Assy CD 1/2 HP | 30a | 47-0410-068 | | Motor, 13W "ECM2" - Electric |
| 9 | 47-0530-690 | | Clip Wire | 30b | 47-0410-070 | | Motor, Fan WG-ECM7112 |
| 10 | 47-0033-392 | | Support, CD Rod Rest. | 31 | 47-0100-301 | | Tube, CD 1/2 - 1/2 HP Discharge |
| 11 | 47-0034-406 | | Shroud 1/3 - 1/2 HP CD Condenser | 32 | 47-0430-197 | | Relay, TPA2414UDS |
| 12 | 47-0034-360 | | Bracket, Cond Hold Down | 33 | 47-0430-196 | | Overload, TPA2414UDS |
| 13 | 47-0530-547 | 1006903 | Condenser Coil Lint Forgiven | 34 | 47-0430-198 | | Capacitor, TPA2414UDS |
| 14 | 47-0530-533 | | Cotter Pin 3/32" Dia x 1" LG | 35 | 18-9723-000 | | Grommet (Compressor Foot) 70711 |
| 15 | 18-6147-000 | | Washer SAE Flat ZC WFS-37 | 36 | 18-6147-002 | | Washer 5/16 Bolt Size - 7/8" OD |
| 16 | 47-0120-209 | | Platform, 1/2 HP CD, Comp, Plas Green | 37 | 47-0530-584 | | Compressor 1/2 HP TPA2414UDS |
| 17 | 47-0035-285 | | Rod, CD 1/2 - 1/2 HP Lift - Green | 38 | 47-0400-043 | | SCW SM #14 - 1/4" L AB PH PAN HD |
| 18 | 47-0033-410 | 1007047 | Bracket, CD 1/2 HP Lift Rod Lock | 39 | 47-0020-613 | | Suction Line Assy CD R290 |
| 19 | 47-0430-202 | | Control, CAREL | 40 | 47-0120-187 | 640774 | Clip, CD Probe |
| 20 | 47-0430-204 | | Probe, CAREL | 41 | 47-0120-194 | | "P" Trap CD Plastic |
| 21 | 47-0035-462 | | Box, HC Chassis Control | | | | |
| | | | | 47-0520-255 | 1020990 | | Kit, CAREL Cold Control |
| | | | | 47-0520-273 | | | Kit, Electrics for TPA2414UDS |