

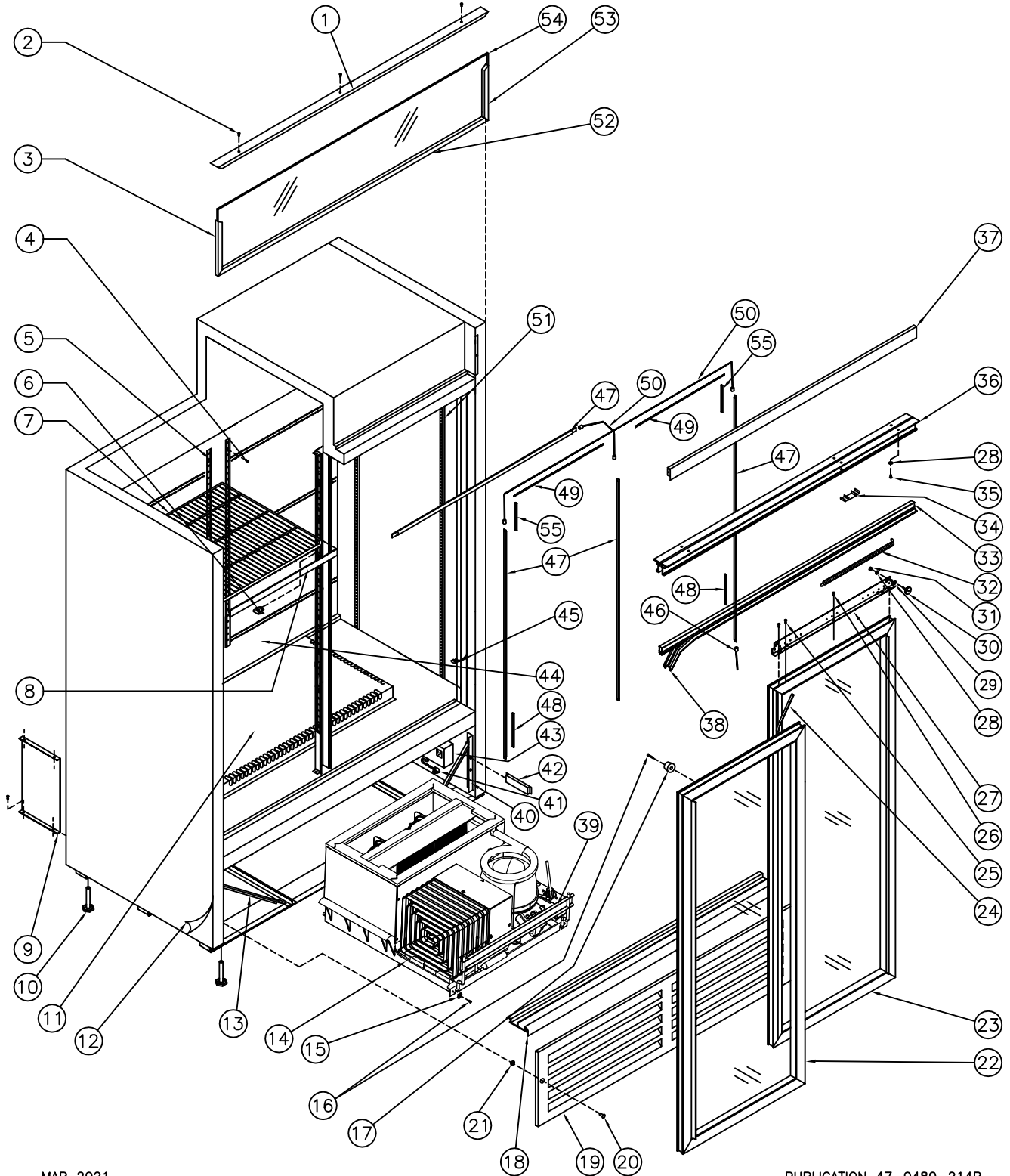
QBD® Cooling Systems

31 BRAMSTEELE ROAD
BRAMPTON, ONTARIO
L6W 3K6

TEL: (905) 459-0709
FAX: (905) 459-1478

COOLER : CD45-HC
84-7045-XXX

Exploded View : CD45-HC



CD45-HC Cooler

(84-7045-XXX) 120V, 60 Hz.

Item No.	Part No.	Pepsi Part No.	Description	Item No.	Part No.	Pepsi Part No.	Description
1	47-8098-039	1000864	Cover, DC45 Top Sign	27	47-0032-107	1006921	Bracket CD45 Door Hanging
2	53-0301-023		Screw SM #8 x 1/2 A QUADTR HD/RIB	28	53-0267-006	83974	Washer 1/4 Split – Lock Zinc
3	47-8607-039	1001716	Frame, DC45 LH Top Sign	29	53-0138-013	1006114	Washer 1/4 Int-Ext A
4	47-0400-007	510282	Screw Pilaster Strip "Custom"	30	47-0530-088	69715	Wheel Sliding Door 1" Dia 1/4 - 20
5	47-0034-420	1029234	Pilaster Strip 51" Aluminum	31	47-0360-036	1006115	Nut 1/4 - 20 Hex 2 Way Lock Zinc
6	53-0377-032	510362	Bracket (clip) Shelf Support	32	53-0149-076	1024322	Spring Door DC40/49
7	47-0200-131	1000382	Shelf Standard DC/CD45/47	33	47-7393-439	1004669	Seal Holder Door DC45 47.5
8a	47-0130-248		Price Holder 22 1/4 Black	34	47-7386-039	67589	Extrusion Track Filler .875
8b	47-0130-247	58740	Price Holder 22 1/4 Blue	35	47-0264-308	83973	Screw MA 1/4 - 20 x 3/4 PAN HD Quad
9	47-0034-415	1032516	Support CD Brace	36	47-0032-157	1006656	Track Door 47.5" LG CD45
10	47-0530-089	510204	Level Leg 1/2 x 3 x 1.375 AF	37	47-8076-039	1003279	Cover, DC/CD45 Wheel Black
11	47-0035-103	1022158	Duct, CD Large Air	38	47-7359-139	1006617	Seal Foam Door Horiz 96"
12	47-8148-932	1001787	Decal, DC45 Side Pepsi	39	47-0033-410	1007047	Bracket, CD 1/2 - 1/2 HP Lift Rod Lock
13	47-0035-091		Gusset, CD45 Front Beam	40	47-0034-093	1008884	Support CD Grill
14a	80-0011-207	1027022	Ref. Chassis 1/2 HP CD HC R290	41	18-7218-001	1007217	Cord, Power 14/3 SJTW-A 12'
14b	80-0011-500	1027022	Ref. Chassis 1/2 HP CD HC R290 Dual Fan	42	47-0440-007	1003097	Outlet, 3 Wire
14c	80-0011-502	1051261	Ref. Chassis 1/2 HP CD HC R290 Single Fan	43	47-0440-087	1029550	Driver, LED 20W
14d	80-0011-510	1051262	Ref. Chassis 1/3 HP CD HC R290 Single Fan	44	47-0035-782		Panel CD 34/35 Common Discharge
15	18-6147-002		Washer 5/16 Bolt Size 7/8" OD	45	47-7379-139	1008528	Gasket Foam Vert. Cabinet 53" LG
16	20-0468-012		Screw SM 8 X 3/4 PH TR HD	46	47-0450-283	1032170	Connector, 12" Wire Lead
17	47-0120-075	1024709	Bumper, Rubber Stopper #RB-186	47	47-0530-672	1027018	LED 47 1/2" 6500K - 7000K
18	47-8093-139	1003399	Bottom, DC45 Guide (Not Saleable)	48	47-0130-786	1030398	Cap, CD45-HC Bottom LED Breaker
19	47-0120-256	1002210	Grill, CD45 Plastic Front Black	49	47-0130-784	1032171	Channel, CD45-HC Wireway Cover
20	47-0254-007	570904	Screw MA 10 x 32 x 3/4 PH PAN HD	50	47-0450-312	1030649	Connector, CD45/47 Wire Lead
21	47-0530-639	154198	Nut, Push Faster	51	53-0377-031	80230	Pilaster Strip 52" Aluminum
22	47-7625-739	1008498	Door Assy. DC/CD45 LH	52	47-8095-039	1000885	Frame, DC45 Bottom Top Sign
23	47-7624-739	1008189	Door Assy. DC/CD45 RH	53	47-8606-039	1002297	Frame, DC45 RH Top Sign
24	47-7361-039	69563	Seal Foam Door Vert (5 Ft. Req'd)	54a	47-8096-633	1022820	Lens, DC45 White
25	47-0400-019	173342	Screw TR 8 - 32 x 1/2 Slot Hex HD	54b	47-8096-932	69848	Lens, DC45 Pepsi
26	53-0301-023		Screw SM #8 x 1/2 A QUADTR HD/RIB	55	47-0130-785	1030397	Cap, CD45-HC Top LED Breaker

Decals / Lens:

47-8096-XXX	Lens CD45/47
47-8148-XXX	Decal Side CD45 RH
47-8942-XXX	Decal Side CD45 LH

Accessories:

47-0011-029	1004696	Shelf, CD45/47 600ml Gravity
47-0060-178	1030114	Gasket Seal UL Ref CD 1/2 HP
47-0130-441		Shelf Glide CD45 Blue
47-0520-077	81272	Lock & Key Assy Sliding Door
47-0520-216	1001844	Caster Kit – Swivel Type
47-0520-225	1006904	Kit, CD/DC 45 Door Track / Sweep
47-0520-245	1001883	Kit, Casters Transfer - No Wheels
47-0520-273	1029404	Kit, Electrics for TPA2414UDS 207 & 500
47-0520-308		Kit, Electrics for FFI160UAX
47-0520-316		Kit, Electrics for NUJ90NRB
47-0530-240		Thermometer 4"
47-7353-539	1028432	Trim, CD/DC Door Handle
47-8092-139	1026253	Door Track Bottom CD45 (Saleable)