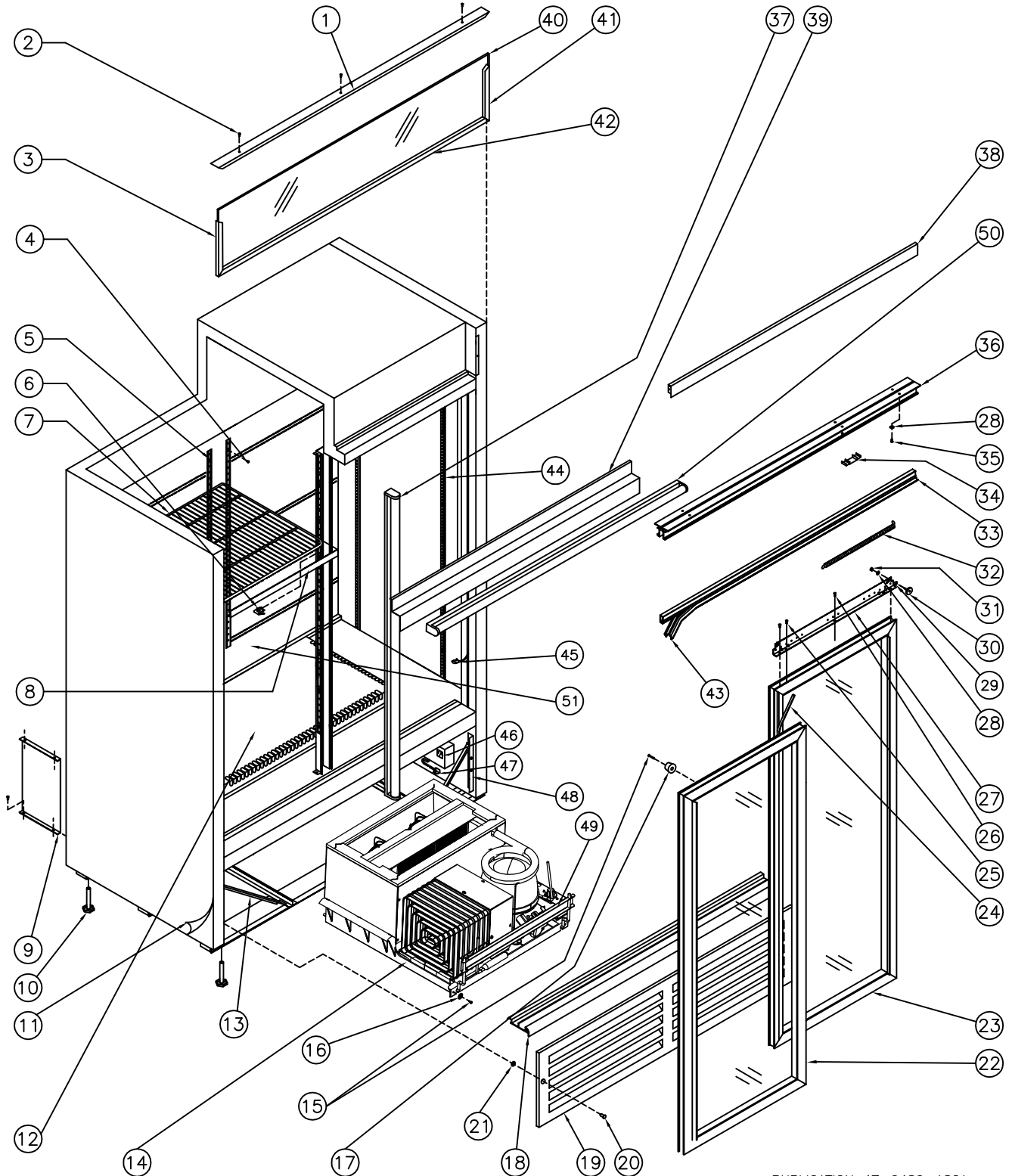


QBD[®] Cooling Systems

31 BRAMSTEELE ROAD
BRAMPTON, ONTARIO
L6W 3K6

TEL: (905) 459-0709
FAX: (905) 459-1478

COOLER: CD34
34-7034 120V, 60Hz





Cooling Systems Inc.

31 Bramstele Rd
Brampton, Ontario, Canada
L6W 3K6

Telephone: (905) 459-0709
Toll Free: (800) 633-3005
FAX: (905) 459-1478
info@qbd.com
www.qbd.com

CD34 Cooler

(34-7034-XXX) 120V, 60 Hz.

Item No.	Part No.	Pepsi Part No.	Description	Item No.	Part No.	Pepsi Part No.	Description
1	47-8974-039		Cover, CD34 Top Sign	26	53-0301-021		SCW SM 8 x .500 'AB' PH TR HD
2	53-0301-021		SCW SM 8x0.500 AB PH TR HD	27	47-0034-620		Bracket CD34 Door Hanging
3	47-8607-039	1001716	Frame, DC45 LH Top Sign	28	53-0267-006	83974	Washer ¼ Split – Lock Zinc
4	47-0400-007	510282	SCW, Pilaster Strip "Custom"	29	53-0138-013	1006114	Washer ¼ Int-Ext A
5	47-0034-420		Pilaster Strip 51" Aluminum	30	47-0530-088	69715	Wheel Sliding Door 1"Dia ¼ - 20
6	53-0377-032	510362	Bracket (clip) Shelf Support	31	47-0360-036	1006115	Nut ¼ - 20 Hex 2 Way Lock Zinc
7	47-0200-222	1009130	Shelf Standard CD34	32	53-0149-076	82310	Spring Door DC40/49
8a	47-0130-607		Price Holder CD34/35 15½" Black	33	47-7393-739		Seal Holder Door CD34
8b	47-0130-608		Price Holder CD34/35 15½" Blue	34	47-7386-039	67589	Extrusion Track Filler .875
9	47-0034-415		Support CD Brace	35	47-0264-308	83973	SCW MA ¼ - 20x.750 PAN HD Quad
10	47-0530-089	510204	Level Leg 0.500x3.000x1.375 AF	36	47-0034-605		Track Door 35.875" LG CD34
11	47-8148-932	1001787	Decal, DC/CD45 Side Pepsi	37	47-0530-571	1005656	LED Lamp 16 Watts
12	47-0035-103	1022158	Duct, CD Large Air	38	47-8973-039		Cover, CD34 Wheel Black
13	-----		Not Applicable on CD34	39	47-0034-607		Reflector, CD34 Top Sign
14a	47-0011-207	1004668	Ref. Chassis ½ HP CD Tecumseh	40a	47-8922-633		Lens, CD34/35 White
14b	47-0011-377		Ref. Chassis ½ HP CD Embraco	40b	47-8922-932		Lens, CD34/35 Pepsi
15	20-0468-012		SCW SM 8X0.750 PH TR HD	41	47-8606-039	1002297	Frame, CD34 RH Top Sign
16	18-6147-002		Washer 5/16 Bolt Size 7/8" OD	42	47-8095-339		Frame, CD34 Bottom Top Sign
17	47-0120-075	1024709	Bumper, Rubber Stopper #RB-186	43	47-7359-139	1006617	Seal Foam Door Horiz 96"
18	47-8093-439		Bottom, CD34 Guide	44	53-0377-031	80230	Pilaster Strip 52" Aluminum
19	47-8977-039	1008945	Grill, CD34 Front Black	45	47-7379-139	1008528	Gasket Foam Vert. Cabinet 53LG"
20	47-0254-007		SCW MA 10x32x0.750 PH PAN HD	46	47-0440-007	1003097	Outlet, 3 Wire
21	47-0530-639		Nut, Push Faster	47	18-7218-001	1007217	Cord, Power 14/3 SJTW-A 12' LG
22	47-7683-739	1009101	Door Assy. CD34 LH	48	47-0034-093	1008884	Support CD Grill
23	47-7684-739		Door Assy. CD34 RH	49	47-0033-410	1007047	Bracket, CD 1/3 HP Lift Rod Lock
24	47-7361-039	69563	Seal Foam Door Vert (5 Ft. Req'd)	50	47-0530-570	1006403	LED Lamp 13 Watts
25	47-0400-019		SCW TR 8-32x0.500 Slot Hex HD	51	47-0034-623		Panel, CD34/35 Back Discharge
				47-0520-252	1008770		Kit, Electrics for TPB9423YAA
				47-0520-271			Kit, Electrics for FFU130HAX

**Note: Embraco Chassis went into production on 09-DEC-15
Starting Serial # 1EK151204328536**

Accessories:

47-0011-309		Shelf, CD34 600ml Gravity
47-0060-168	1005324	Gasket, Seal Refer & Cab CD 1/2 HP
47-0130-441		Shelf Glide CD45 Blue
W47-0130-441		Shelf Glide CD45 White
47-0520-077	81272	Lock & Key Assy Sliding Door
47-0520-216	1001844	Caster Kit – Swivel Type
47-0520-245	1001883	Kit, Casters Transfer - No Wheels
47-7353-539		Trim, CD/DC Door Handle
47-8092-439		Door Track Bottom CD34