

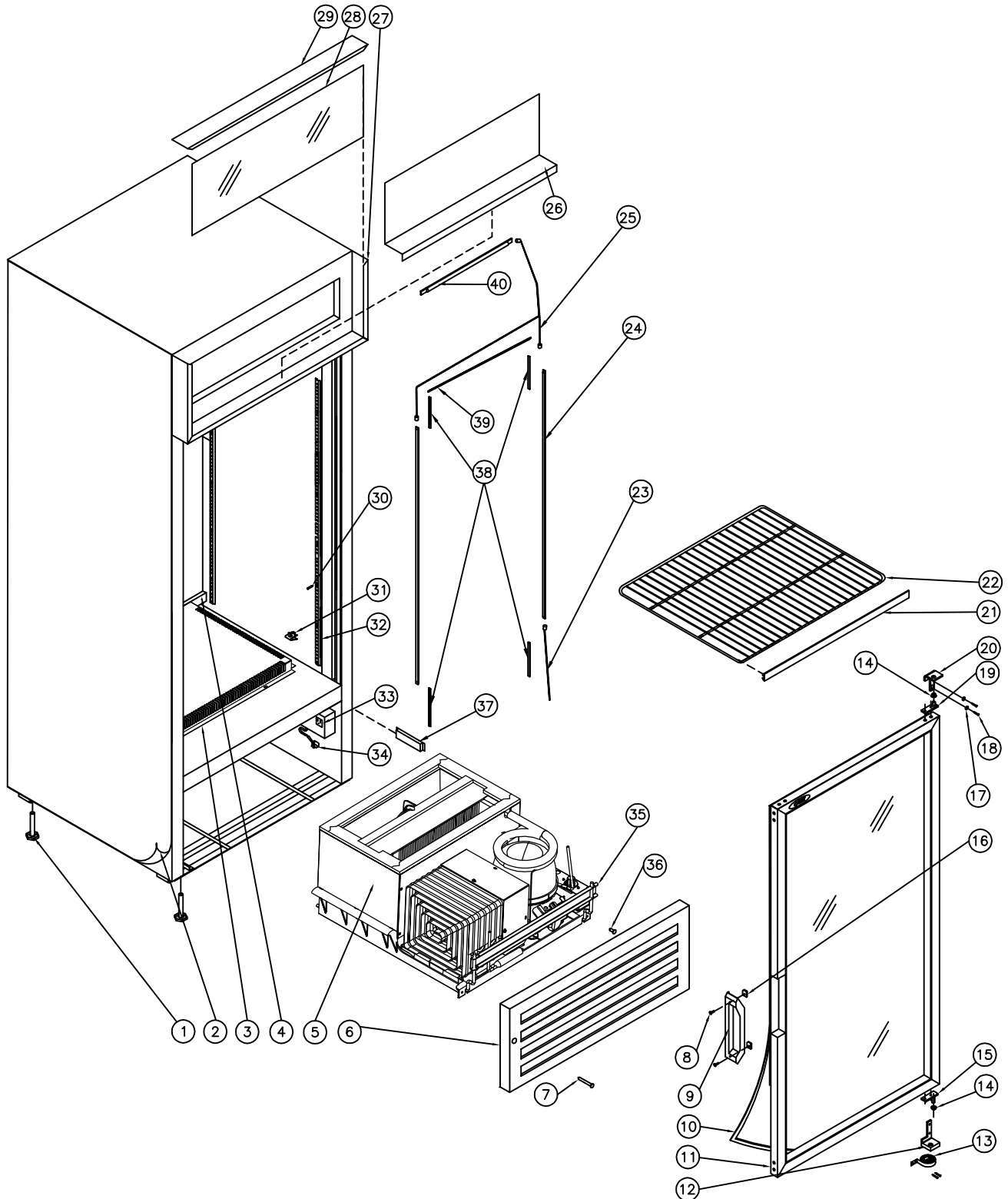
QBD[®] Cooling Systems

31 BRAMSTEELE ROAD
BRAMPTON, ONTARIO
L6W 3K6

TEL: (905) 459-0709
FAX: (905) 459-1478

COOLER : CD26-HC
84-7026-XXX

Exploded View: CD26-HC



CD26-HC Cooler

(84-7026-XXX) 120V, 60 Hz.

Item No.	Part No.	Pepsi Part No.	Description
1	47-0530-089	510204	Level Leg ½ x 3 x 1 ¾ AF
2	47-7045-932	68376	Decal Side CD26 Pepsi
3	47-0035-103	1022158	Duct, CD Large Air
4	47-0035-749		Panel, CD26 Back Discharge
5a	80-0011-207F1	1027021	Ref. Chassis ½ HP HC R290 Single Fan
5b	80-0011-207E1		Ref. Chassis ¼+ HP HC R290 Single Fan
5c	80-0011-501		Ref. Chassis ¼+ HP HC R290 Single Fan
5d	80-0011-504	1051292	Ref. Chassis ⅓ HP HC R290 Single Fan
6	47-0120-182	1024989	Grill, CD26 Plastic Front Black
7	47-0254-007	570904	Screw MA 10 - 32 x ¾ PH PAN HD
8	47-0400-038	1005107	Screw ST 8 - 32 X ⅞ PH FT HD BLK
9	47-0120-166	1002413	Handle Recess Dr Charcoal Gray
10	47-0140-011	68756	Gasket Door CD26
11	47-7622-739	1002054	Door Assy CD26
12	47-0090-013	80977	Hinge RH Bottom Door
13	53-0149-069	510108	Spring Door Coiled
14	47-0080-011	1005559	Insert Bronze
15	47-0090-082	1009577	Pin Pivot Bottom
16	47-0090-072	1032958	Insert Door Handle
17	53-0267-006	83974	Washer ¼ Split Lock Zinc
18	47-0264-308	83973	Screw MA ¼ - 20 X ¾ PAN HD QUAD
19	47-0090-081	1009576	Pin Pivot Top
20	47-0090-012	81559	Hinge RH Top Door

Item No.	Part No.	Pepsi Part No.	Description
21a	47-0130-254	58739	Price Holder DC/CD26 Blue
21b	47-0130-255		Price Holder DC/CD26 Black
22	47-0200-123	80840	Shelf Standard DC/CD26
23	47-0450-283	1032170	Connector, 12" Wire Lead
24	47-0530-672	1027018	LED 47½" 6500K - 7000K
25	47-0450-292	1031627	Connector, CD26 30" Wire Lead
26	47-0035-441		Reflector CD26-HC Top Sign
27	47-8036-039	83855	Frame, CD26 Top Sign Black
28a	47-8045-633	1026727	Lens, CD26 Top Sign White
28b	47-8045-932	83856	Lens, CD26 Top Sign Pepsi
29	47-8968-039	1029211	Cover CD26 Top Sign Black
30	47-0400-007	510282	Screw Pilaster Strip "Custom"
31	53-0377-032	510362	Bracket (clip) Shelf Support
32	53-0377-031	80230	Pilaster Strip 52" Aluminum
33	47-0440-007	1003097	Outlet 3 Wire
34	18-7218-001	1007217	Cord Power 14/3 SJTW-A 12' LG
35	47-0033-410	1007047	Bracket, CD ⅓ HP Lift Rod Lock
36	20-0468-012		Screw SM #8 x ¾ PH TR HD
37	47-0440-087	1029550	Driver, LED 20W
38	47-0130-748	1030393	Cap, CD26-HC Side LED Snap 2.75"
39	47-0130-747	1030394	Cap, CD26-HC Top LED Snap 26.5"
40	47-0530-670	1027016	LED 23½" 6500K - 7000K

Left Hand Hinge Parts:

47-0090-015	1001724	Hinge, LH Bottom Door
47-0090-014	1001725	Hinge, LH Top Door

Decals / Lens:

47-8045-XXX	Lens CD26
47-7045-XXX	Decal Side CD26 RH
47-8874-XXX	Decal Side CD26 LH

Accessories:

47-0010-620	1004687	Shelf, DC26 600ml Gravity
47-0034-128	61726	Key, Door T-Handle
47-0060-178	1030114	Gasket Seal UL Ref CD ½ HP
47-0130-256		Shelf Glide CD26 Blue
47-0130-585		Shelf Glide CD/DC26 White
47-0520-215	1001418	Kit, Lock Hasp Single Door
47-0520-216	1001844	Caster Kit - Swivel Type
47-0520-245	1001883	Kit, Casters Transfer - No Wheels
47-0520-273	1029404	Kit Electric for TPA2414UDS 207F1
47-0520-279		Kit Electric for EM2X3121U 207E1 & 501
47-0520-307		Kit Electric for NUT55LRB 504
47-0530-240		Thermometer 4"