

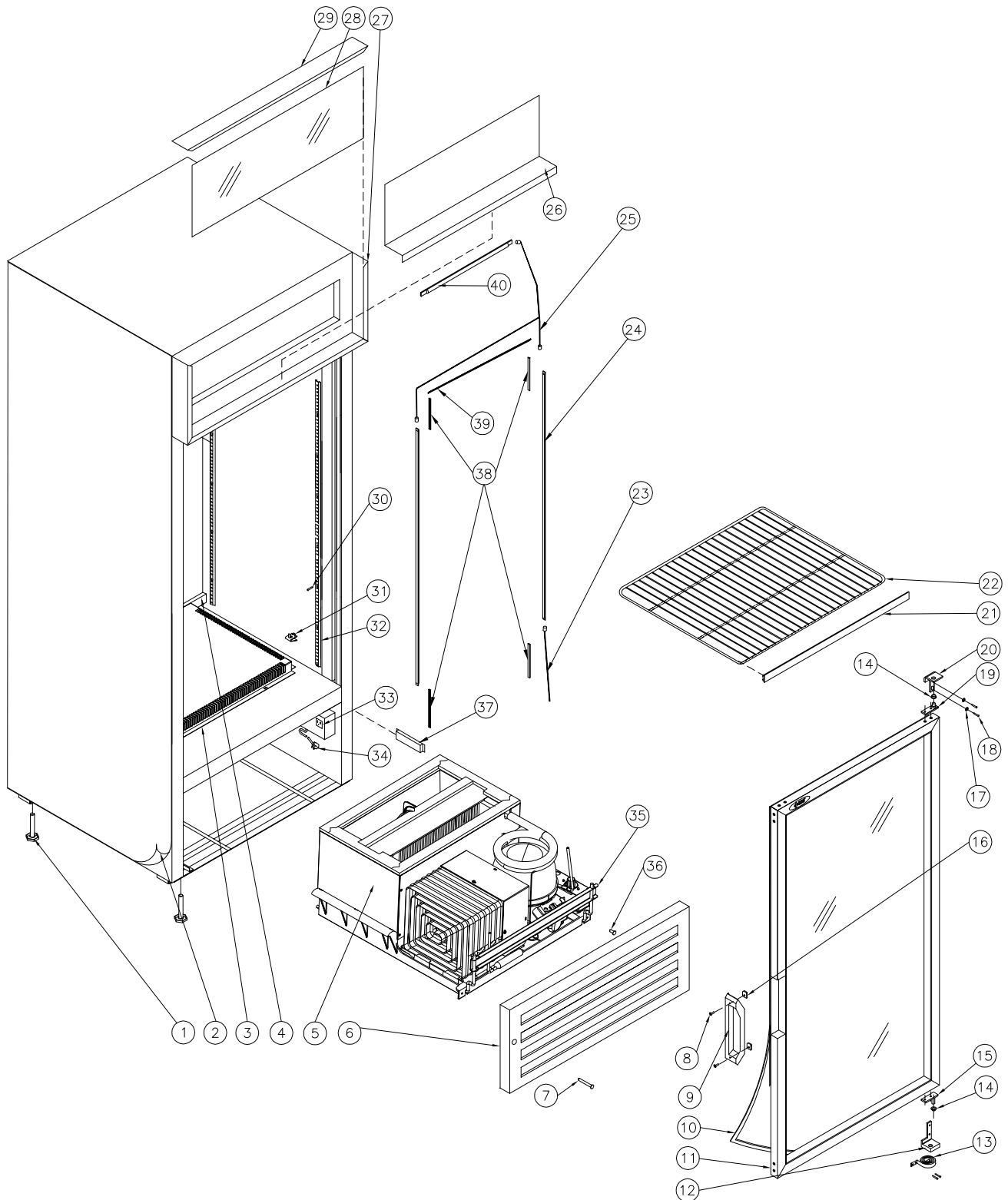
QBD[®] Cooling Systems

31 BRAMSTEELE ROAD
BRAMPTON, ONTARIO
L6W 3K6

TEL: (905) 459-0709
FAX: (905) 459-1478

COOLER : CD26-HC
84-7026-XXX

Exploded View: CD26-HC



CD26-HC Cooler

(84-7026-XXX) 120V, 60 Hz.

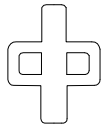
Item No.	Part No.	Pepsi Part No.	Description	Item No.	Part No.	Pepsi Part No.	Description
1	47-0530-089	510204	Level Leg ½ x 3 x 1 ¾ AF	21b	47-0130-255		Price Holder DC/CD26 Black
2	47-7045-932		Decal CD26 Side Pepsi	22	47-0200-123	80840	Shelf Standard DC/CD26
3	47-0035-103	1022158	Duct, CD Large Air	23	47-0450-283		Connector, 12" Wire Lead
4	47-0034-446		Panel, CD26 Back Discharge	24	47-0530-672	1027018	LED, 47.5" L11 - 47.5 Series
5a	80-0011-207F1	1027021	Ref. Chassis ½ HP HC R290	25	47-0450-292		Connector, CD26 30" Wire Lead
5b	80-0011-207E1		Ref. Chassis ¼+ HP HC R290	26	47-0035-441		Reflector CD26-HC Top Sign
6	47-0120-182	1004824	Grill, CD26 Plastic Front Black	27	47-8036-039	83855	Frame, CD26 Top Sign Black
7	47-0254-007		SCW MA 10 - 32 x ¾ PH PAN HD	28a	47-8045-633		Lens, CD26 Top Sign White
8	47-0400-038		SCW ST 8 - 32 X ¾ PH FT HD BLK	28b	47-8045-932	83856	Lens, CD26 Top Sign Pepsi
9	47-0120-166	1002413	Handle Recess Dr Charcoal Gray	29	47-8968-039		Cover CD26 Top Sign Black
10	47-0140-011	68756	Gasket CD26 Door Mac. M-218	30	47-0400-007	510282	SCW Pilaster Stip "Custom"
11	47-7622-739	1002054	Door Assy CD26	31	53-0377-032	510362	Bracket (clip) Shelf Support
12	47-0090-013	80977	Hinge RH Bottom Door	32	53-0377-031	80230	Pilaster Strip 52" Aluminum
13	53-0149-069	510108	Spring DC Hinge Door	33	47-0440-007	1003097	Outlet 3 Wire
14	47-0080-011	1005559	Insert Bronze	34	18-7218-001	1007217	Cord Power 14/3 SJTW-A 12' LG
15	47-0090-082	1009577	Pin Pivot Bottom	35	47-0033-410	1007047	Bracket, CD ½ HP Lift Rod Lock
16	47-0090-072		Insert Door Handle	36	20-0468-012		SCW SM #8 x ¾ PH TR HD
17	53-0267-006	83974	Washer ¼ Split Lock Zinc	37	47-0440-087	1027019	Driver, LED 20W
18	47-0264-308	83973	SCW MA ¼ - 20 X ¾ PH PAN HD QUAD	38	47-0130-748		Cap, CD26-HC Side LED Snap 2.75"
19	47-0090-081	1009576	Pin Pivot Top	39	47-0130-747		Cap, CD26-HC Top LED Snap 26.5"
20	47-0090-012	81559	Hinge RH Top Door	40	47-0530-670	1027016	LED, 23.5" L11 - 23.5 Series
21a	47-0130-254	58739	Price Holder DC/CD26 Blue				

Left Hand Hinge Parts:

47-0090-015	1001724	Hinge, LH Bottom Door
47-0090-014	1001725	Hinge, LH Top Door

Accessories:

47-0010-620	1004687	Shelf, DC26 600ml Gravity
47-0034-128	61726	Key, Door T-Handle
47-0060-178		Gasket Seal UL Ref CD ½ HP
47-0130-256		Shelf Glide CD26 Blue
47-0130-585		Shelf Glide CD/DC26 White
47-0520-215	1001418	Kit, Lock Hasp Single Door
47-0520-216	1001844	Caster Kit – Swivel Type
47-0520-245	1001883	Kit, Casters Transfer - No Wheels
47-0520-273		Kit, Electrics for TPA2414UDS



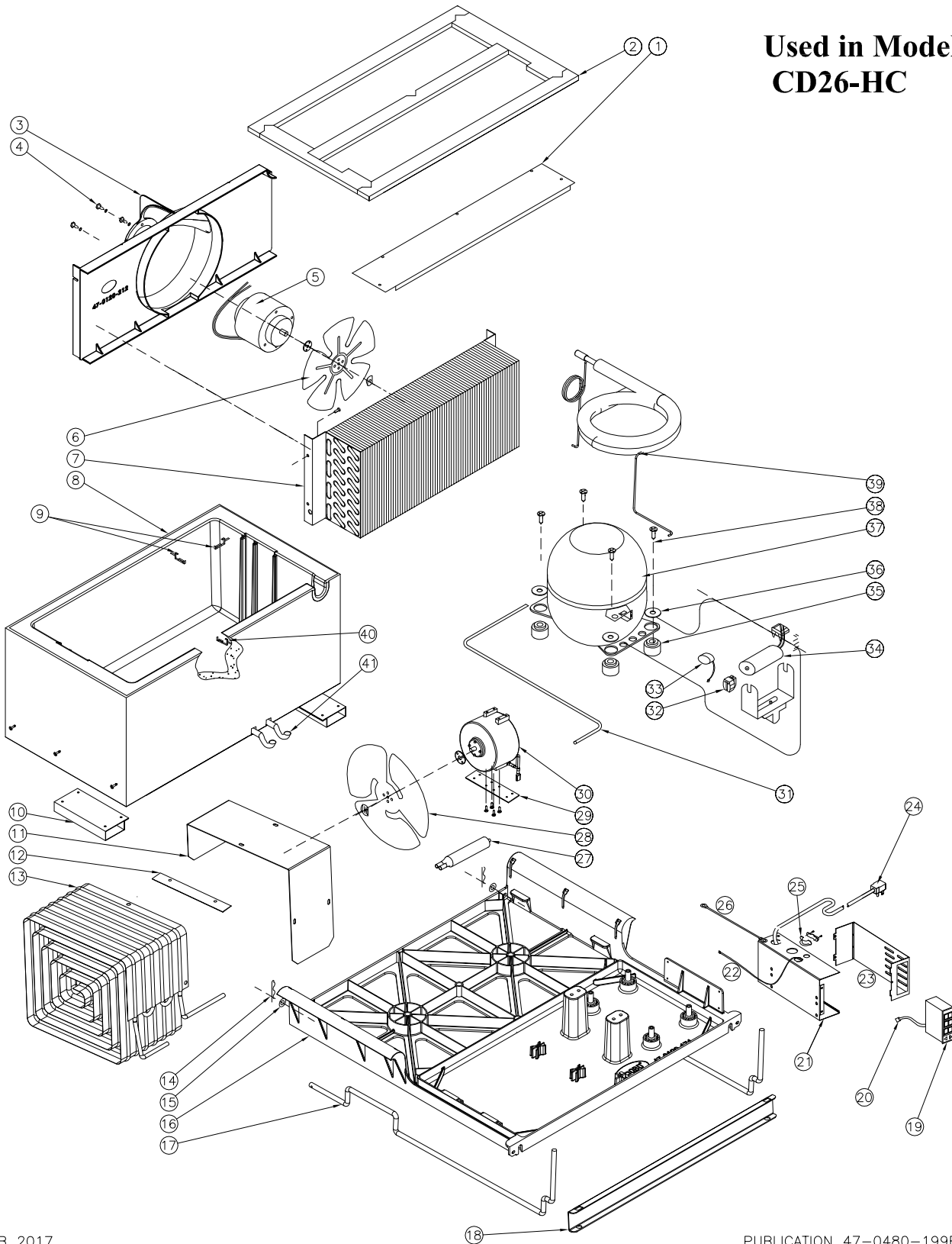
QBD[®] Cooling Systems Inc.

31 BRAMSTEELE ROAD
BRAMPTON, ONTARIO
L6W 3K6

TEL: (905) 459-0709
FAX: (905) 459-1478

REFRIGERATION CHASSIS 1/2HP
WITH SINGLE EVAPORATOR FAN
80-0011-207F1 120V, 60Hz

**Used in Models:
CD26-HC**





Cooling Systems Inc.

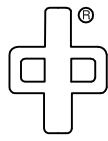
31 Bramsteede Rd
Brampton, Ontario, Canada
L6W 3K6

Telephone: (905) 459-0709
Toll Free: (800) 663-3005
FAX: (905) 459-1478
info@qbd.com
www.qbd.com

Refrigeration Chassis 1/2 HP 80-0011-207F1 HC R290

120V, 60 Hz.

Item No.	Part No.	Pepsi Part No.	Description	Item No.	Part No.	Pepsi Part No.	Description
1	47-0034-410		Baffle, CD 1/3 - 1/2 HP Evap Air	22	47-0450-281		Harness, CD Compressor
2	47-0060-178		Gasket Seal UL Ref CD 1/2 HP	23	47-0035-463		Cover, HC Chassis Control
3	47-0120-212		Shroud, 1/3 - 1/2 HP Single Fan	24	47-0450-261		Cord Power 3 Wire 1/4 CD 24"
4	20-0470-002	81343	SCW,ST 8-32x.312" PH PAN HD "F"	25	47-0530-445		Non Metal Sheathed Cable Connector
5	47-0410-068		Motor, 13W "ECM2" - Electric	26	47-0450-143		Wire, 12" Green #10 Ring - #8 Ring
6	47-0530-541	57910	Fan Blade OP OU7737-5 CW	27	47-0011-317		Drier Assy 1/4" Swagged
7	47-0530-558	1007073	Evap, Coil CD 1/2 HP	28	33-2420-001	1003098	Fan Blade 8 3/4 Dia. 3BD CW
8	47-0011-205		Evap. Box Assy CD 1/3 HP	29	47-0035-306		Bracket, HC Chassis Condenser Fan
9	47-0530-690		Clip Wire	30	47-0410-068		Motor, 13W "ECM2" - Electric
10	47-0033-392		Support, CD Rod Rest.	31	47-0100-349		Tube, HC 1/3 - 1/2 HP Discharge
11	47-0034-406		Shroud 1/3 - 1/2 HP CD Condenser	32	47-0430-197		Relay, TPA2414UDS
12	47-0034-360		Bracket, Cond Hold Down	33	47-0430-196		Overload, TPA2414UDS
13	47-0530-547	1006903	Condenser Coil Lint Forgiven	34	47-0430-198		Capacitor, TPA2414UDS
14	47-0530-533		Cotter Pin 3/32" Dia x 1" LG	35	18-9723-000		Grommet (Compressor Foot) 70711
15	18-6147-000		Washer 3/8 SAE Flat ZC WFS-37	36	18-6147-002		Washer 5/16 Bolt Size - 7/8" OD
16	47-0120-209		Platform, 1/3 HP CD,Comp, Plas Green	37	47-0530-584		Compressor 1/2 HP TPA2414UDS
17	47-0035-285		Rod, CD 1/3 - 1/2 HP Lift - Green	38	47-0400-043		SCW SM #14 -1 1/4" L AB PH PAN HD
18	47-0033-410	1007047	Bracket, CD 1/3 HP Lift Rod Lock	39	47-0020-613		Suction Line Assy CD R290
19	47-0430-202		Control, CAREL	40	47-0120-187	640774	Clip, CD Probe
20	47-0430-204		Probe, CAREL	41	47-0120-194		"P" Trap CD Plastic
21	47-0035-462		Box, HC Chassis Control				
				47-0520-255	1020990		Kit, CAREL Cold Control
				47-0520-273			Kit, Electrics for TPA2414UDS



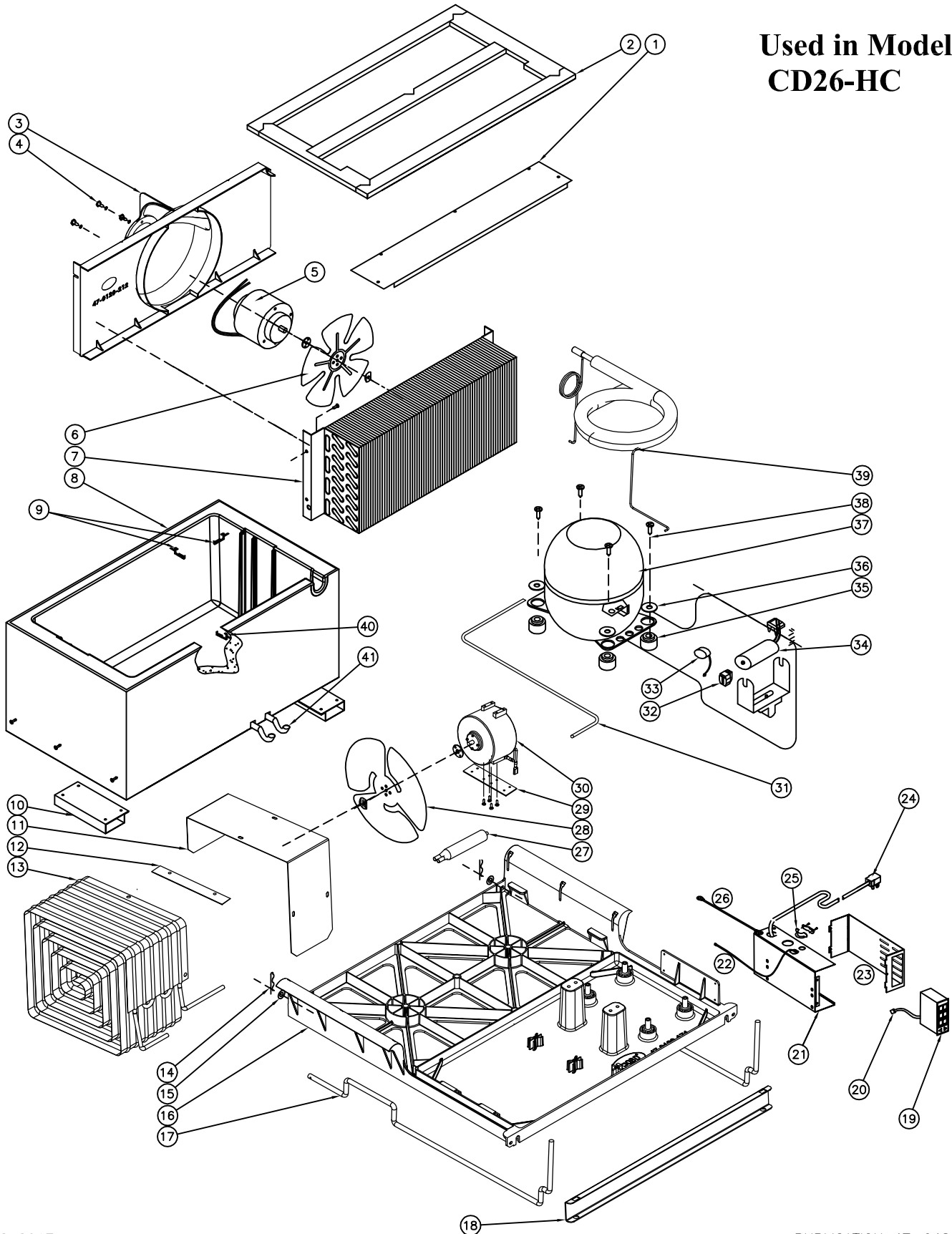
QBD® Cooling Systems Inc.

31 BRAMSTEELE ROAD
BRAMPTON, ONTARIO
L6W 3K6

TEL: (905) 459-0709
FAX: (905) 459-1478

REF. CHASSIS 1/4+HP PLASTIC BASE
WITH SINGLE EVAPORATOR FAN
80-0011-207E1 120V, 60Hz

**Used in Models:
CD26-HC**





Cooling Systems Inc.

31 Bramsteele Rd
Brampton, Ontario, Canada
L6W 3K6

Telephone: (905) 459-0709
Toll Free: (800) 663-3005
FAX: (905) 459-1478
info@qbd.com
www.qbd.com

Refrigeration Chassis 1/4+ HP

80-0011-207E1 HC R290

120V, 60 Hz.

Item No.	Part No.	Pepsi Part No.	Description	Item No.	Part No.	Pepsi Part No.	Description
1	47-0034-410		Baffle, CD 1/3 - 1/2 HP Evap Air	22	47-0450-281		Harness, CD Compressor
2	47-0060-178		Gasket Seal UL Ref CD 1/2 HP	23	47-0035-463		Cover, HC Chassis Control
3	47-0120-170		Shroud, 1/3 HP CD, Evap Plastic	24	47-0450-261		Cord Power 3 Wire 1/4 CD 24"
4	20-0470-002	81343	SCW,ST 8-32x.312" PH PAN HD "F"	25	47-0530-445		Non Metal Sheathed Cable Connector
5	47-0410-070		Motor, Fan WG-ECM7112	26	47-0450-143		Wire, 12" Green #10 Ring - #8 Ring
6	47-0530-541	57910	Fan Blade OP OU7737-5 CW	27	47-0011-317		Drier Assy 1/4" Swagged
7	47-0530-127		Evap, Coil CD 1/3 HP	28	33-2420-001	1003098	Fan Blade 8 3/4 Dia. 3BD CW
8	47-0011-205		Evap. Box Assy CD 1/3 HP	29	47-0035-306		Bracket, HC Chassis Condenser Fan
9	47-0530-690		Clip Wire	30	47-0410-070		Motor, Fan WG-ECM7112
10	47-0033-392		Support, CD Rod Rest.	31	47-0100-349		Tube, HC 1/3 - 1/2 HP Discharge
11	47-0034-406		Shroud 1/3 - 1/2 HP CD Condenser	32	47-0430-246		Relay, EM2X3121U 1/4+ HP
12	47-0034-360		Bracket, Cond Hold Down	33	47-0430-247		Overload, EM2X3121U 1/4+ HP
13	47-0530-547	1006903	Condenser Coil Lint Forgiven	34	47-0430-248		Capacitor, EM2X3121U 1/4+ HP
14	47-0530-533		Cotter Pin 3/32" Dia x 1" LG	35	18-9723-000		Grommet (Compressor Foot) 70711
15	18-6147-000		Washer 3/8 SAE Flat ZC WFS-37	36	18-6147-002		Washer 5/16 Bolt Size - 7/8" OD
16	47-0120-209		Platform, 1/3 HP CD,Comp, Plas Green	37	47-0530-688		Compressor 1/4+ HP EM2X3121U
17	47-0035-285		Rod, CD 1/3 - 1/2 HP Lift - Green	38	47-0400-043		SCW SM #14 -1 1/4" L AB PH PAN HD
18	47-0033-410	1007047	Bracket, CD 1/3 HP Lift Rod Lock	39	47-0020-626		Suction Line Assy CD26-HC
19	47-0430-202		Control, CAREL	40	47-0120-187	640774	Clip, CD Probe
20	47-0430-204		Probe, CAREL	41	47-0120-194		"P" Trap CD Plastic
21	47-0035-462		Box, HC Chassis Control				
				47-0520-255	1020990		Kit, CAREL Cold Control
				47-0520-279			Kit, Electrics for EM2X3121U 1/4+ HP