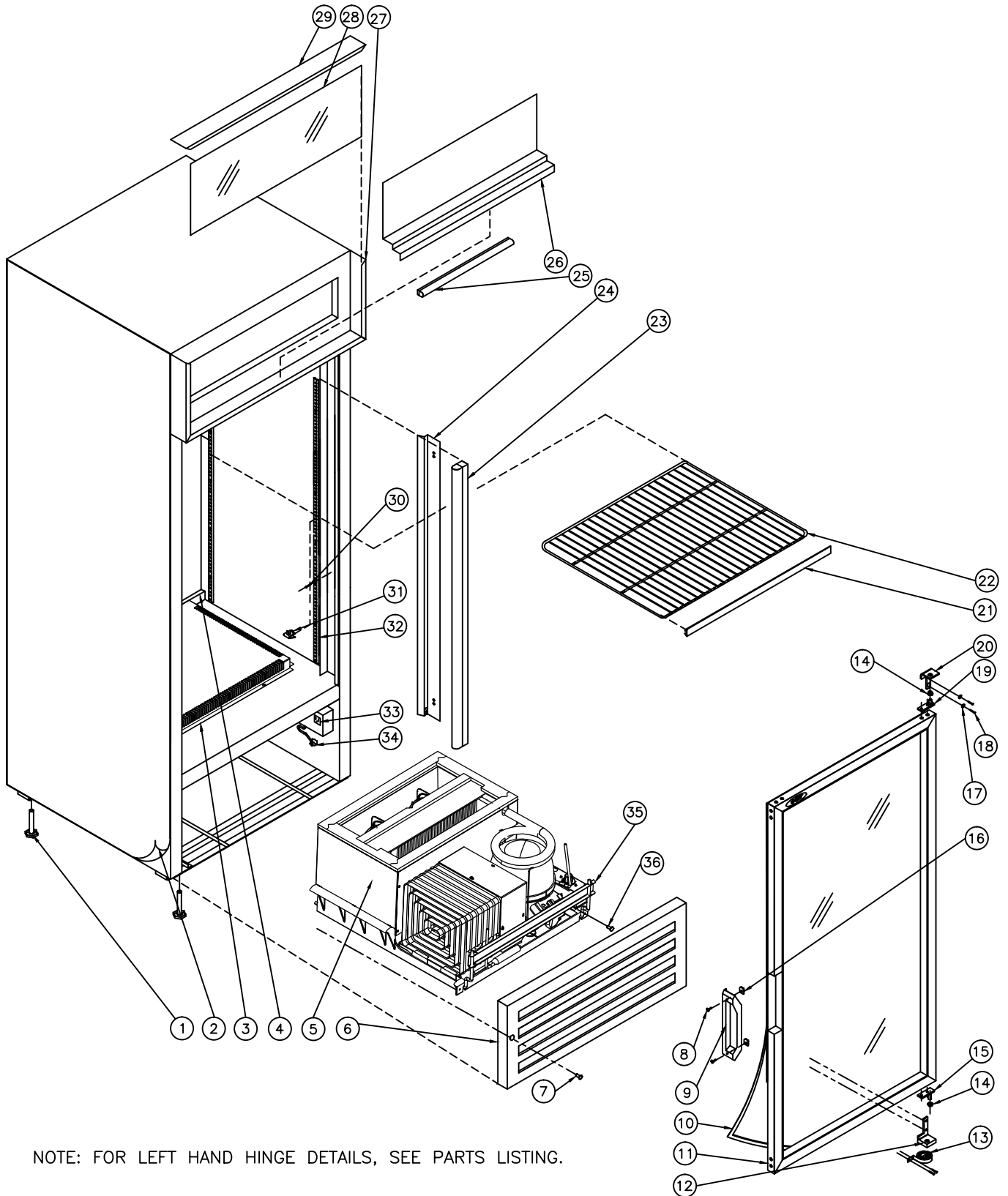


QBD[®] Cooling Systems Inc.

31 BRAMSTEELE ROAD
BRAMPTON, ONTARIO
L6W 3K6

TEL: (905) 459-0709
FAX: (905) 459-1478

COOLER: CD26
34-7026 120V, 60Hz



NOTE: FOR LEFT HAND HINGE DETAILS, SEE PARTS LISTING.



Cooling Systems Inc.

31 Bramstele Rd
Brampton, Ontario, Canada
L6W 3K6

Telephone: (905) 459-0709
Toll Free: (800) 633-3005
FAX: (905) 459-1478
info@qbd.com
www.qbd.com

CD26 Cooler

(34-7026-XXX) 120V, 60 Hz.

Item No.	Part No.	Pepsi Part No.	Description	Item No.	Part No.	Pepsi Part No.	Description
1	47-0530-089	510204	Level Leg ½ x 3 x 1 ¾ AF	20	47-0090-012	81559	Hinge RH Top Door
2	47-7045-932		Decal CD26 Side Pepsi	21a	47-0130-254	58739	Price Holder DC/CD26 Blue
3	47-0035-103	1022158	Duct, CD Large Air	21b	47-0130-255		Price Holder DC/CD26 Black
4	47-0034-446		Panel, CD26 Back Discharge	22	47-0200-123	80840	Shelf Standard DC/CD26
5a	47-0011-202	1004246	Ref. Chassis ½ HP CD Tecumseh	23	47-0530-571	1005656	LED Lamp 16 Watts
5b	47-0011-379		Ref. Chassis ½ HP CD Embraco	24	47-8630-033		Reflector CD26 Lamp
6	47-0120-182	1004824	Grill, CD26 Plastic Front Black	25	47-0530-569	1005655	LED Lamp 6 Watts
7	47-0254-007		SCW MA 10 - 32 x ¾ PH PAN HD	26	47-0034-580		Reflector Top Sign CD26
8	47-0400-038		SCW ST 8 - 32 X ⅞ PH FT HD BLK	27	47-8036-039	83855	Frame, CD26 Top Sign Black
9	47-0120-166	1002413	Handle Recess Dr Charcoal Gray	28a	47-8045-633		Lens, CD26 Top Sign White
10	47-0140-011	68756	Gasket CD26 Door Mac. M-218	28b	47-8045-932	83856	Lens, CD26 Top Sign Pepsi
11	47-7622-739	1002054	Door Assy CD26	29	47-8968-039		Cover CD26 Top Sign Black
12	47-0090-013	80977	Hinge RH Bottom Door	30	47-0400-007	510282	SCW Pilaster Strip "Custom"
13	53-0149-069	510108	Spring DC Hinge Door	31	53-0377-032	510362	Bracket (clip) Shelf Support
14	47-0080-011	1005559	Insert Bronze	32	53-0377-031	80230	Pilaster Strip 52" Aluminum
15	47-0090-082	1009577	Pin Pivot Bottom	33	47-0440-007	1003097	Outlet 3 Wire
16	47-0090-072		Insert Door Handle	34	18-7218-001	1007217	Cord Power 14/3 SJTW-A 12' LG
17	53-0267-006	83974	Washer Split Lock Zinc	35	47-0033-410	1007047	Bracket, CD ½ HP Lift Rod Lock
18	47-0264-308	83973	SCW MA ¼ - 20 X ¾ Pan HD Quad	36	20-0468-012		SCW SM #8 x ¾ ", PH, TR, HD
19	47-0090-081	1009576	Pin Pivot Top				
				47-0520-251		1008644	Kit, Electrics for TPA1413YXA
				47-0520-270			Kit, Electrics for FFU100HAK

**Note: Embraco Chassis went into production on xx/xx/2015
Starting Serial # 1**

Left Hand Hinge Parts:

47-0090-015	1001724	Hinge, LH Bottom Door
47-0090-014	1001725	Hinge, LH Top Door

Accessories:

47-0010-620	1004687	Shelf, DC26 600ml Gravity
47-0034-128	61726	Key, Door T-Handle
47-0060-168	1005324	Gasket Seal Refer & Cab CD 1/3 HP
47-0130-256		Shelf Glide CD26 Blue
47-0130-585		Shelf Glide CD/DC26 White
47-0520-215	1001418	Kit, Lock Hasp Single Door
47-0520-216	1001844	Caster Kit – Swivel Type
47-0520-243	1006956	Kit, CD26 LED Conversion
47-0520-245	1001883	Kit, Casters Transfer - No Wheels