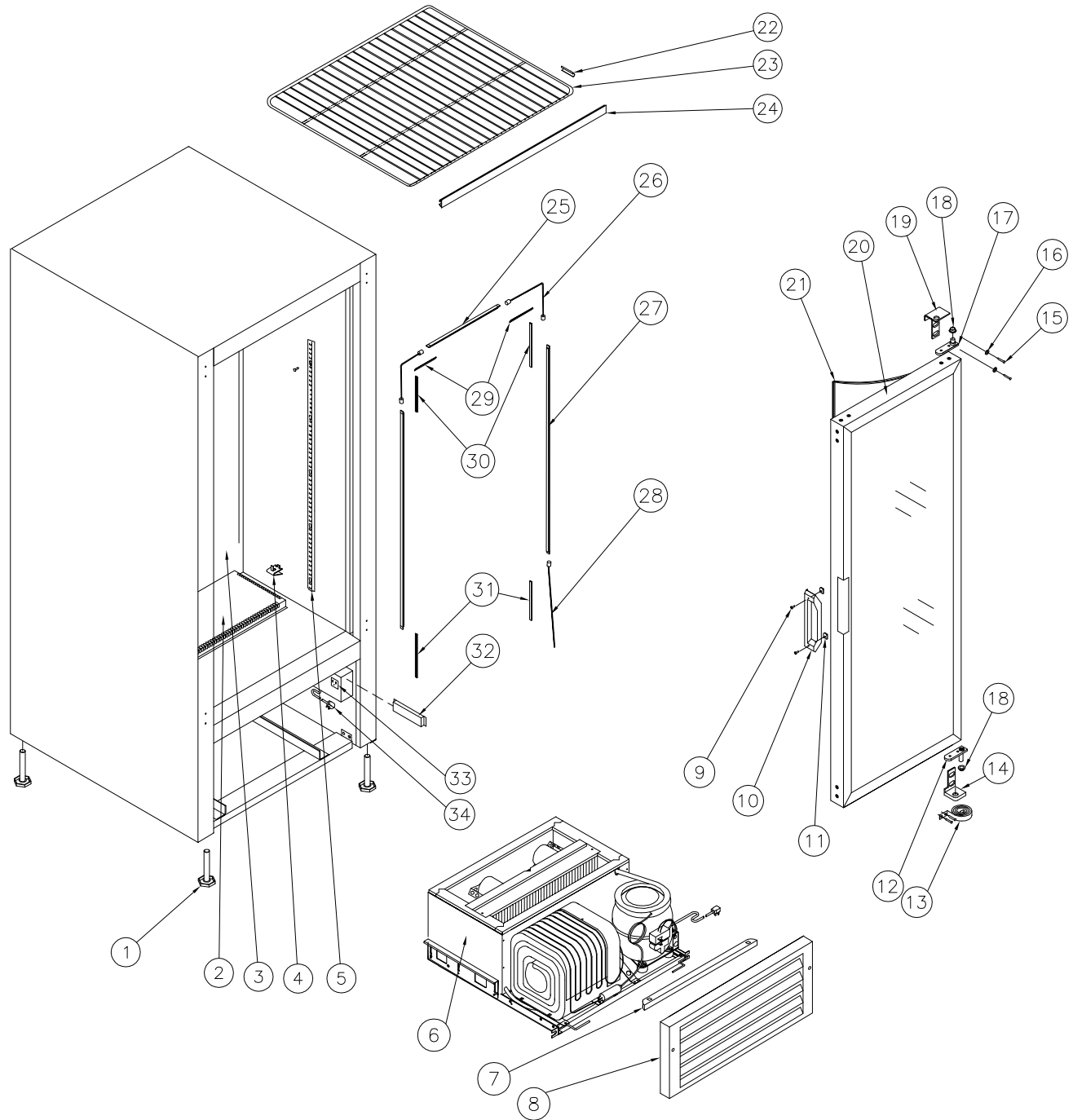


Exploded View : CD20-HC



NOTE: FOR LEFT HAND HINGE DETAILS, SEE PARTS LISTING.



Cooling Systems Inc.

31 Bramstele Rd
Brampton, Ontario, Canada
L6W 3K6

Telephone: (905) 459-0709
Toll Free: (800) 663-3005
FAX: (905) 459-1478
info@qbd.com
www.qbd.com

CD20-HC Cooler

(84-7020-XXX) 120V, 60 Hz.

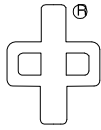
Item No.	Part No.	Pepsi Part No.	Description	Item No.	Part No.	Pepsi Part No.	Description
1	47-0530-089	510204	Level Leg ½ x 3 x 1 ¾ AF	19	47-0090-012	81559	Hinge, DC/CD RH Top Door
2	47-0034-919		Base CD10 Step	20	47-9302-739		Door Assy CD20
3	47-0035-487		Panel CD20 Back Discharge	21	47-0140-037		Gasket, CD20 Door Mag. M-218
4	53-0377-032	510362	Bracket (Clip) Shelf Support	22	47-0034-003		Clip, CD14HB Shelf Stopper
5	47-0035-488		Pilaster Strip CD20	23	47-0200-176	1002187	Shelf, CD10/12 Flat
6	80-0011-227	1027020	Ref. Chassis ¼ HP CD HC R290	24a	47-0130-250	1000819	Price Holder 18¾" Black
7	47-0033-411	1020397	Bracket, CD ¼ HP Lift Rod Lock	24b	47-0130-130		Price Holder 18¾" Blue
8	47-0120-183	1008303	Grill, CD10/12 Plastic Front	25	47-0530-669	1027015	LED, 11.5" L11 - 11.5 Series
9	47-0400-038		SCW ST 8-32 X ¾ PH FT HD BLK	26	47-0450-288		Connector, 12" Butt
10	47-0120-166	1002413	Handle, Recess Dr Charcoal Gray	27	47-0530-672	1027018	LED, 47.5" L11 - 47.5 Series
11	47-0090-072		Insert, Door Handle	28	47-0450-283		Connector, 12" Wire Lead
12	47-0090-082	1009577	Pin, Pivot Bottom	29	47-0130-740		Cap, CD10/12-HC Top LED
13	53-0149-069	510108	Spring Door	30	47-0130-824		Cap, CD20-HC Top Side LED
14	47-0090-013	80977	Hinge, DC/CD RH Bottom Door	31	47-0130-825		Cap, CD20-HC Bottom Side LED
15	47-0264-308	83973	SCW MA ¼ - 20 X ¾ PAN HD QUAD	32	47-0440-087		Driver, LED 20W
16	53-0267-006	83974	Washer ¼ Split Lock Zinc	33	47-0440-007	1003097	Outlet, 3 Wire
17	47-0090-081	1009576	Pin, Pivot Top	34	18-7218-001	1007217	Cord, Power 14/3 SJTW-A 12'
18	47-0080-011	1005559	Insert Bronze ¾ OD x ¼"				

Left Hand Hinge Parts:

47-0090-015	1001724	Hinge, LH Bottom Door
47-0090-014	1001725	Hinge, LH Top Door

Accessories:

47-0011-091	1004688	Shelf, 600ml Gravity
47-0034-128	61726	Key, Door T-Handle
47-0060-177		Gasket Seal UL Ref CD ¼ HP
47-0130-506	1005148	Shelf Glide CD10/12, CD4148 Blue
47-0130-586		Shelf Glide CD10/12, CD4148 White
47-0520-214	57175	Caster Kit – Uni-Directional
47-0520-216	1001844	Caster Kit – Swivel Type
47-0520-223	43455	Kit, CD10/12 Door Lock
47-0520-245	1001883	Kit, Casters Transfer - No Wheels
47-0520-279		Kit, Electrics for EM2X3121U
47-8811-932		Decal, Door Pepsi CD10/12
47-8812-932		Decal, Side Pepsi CD12



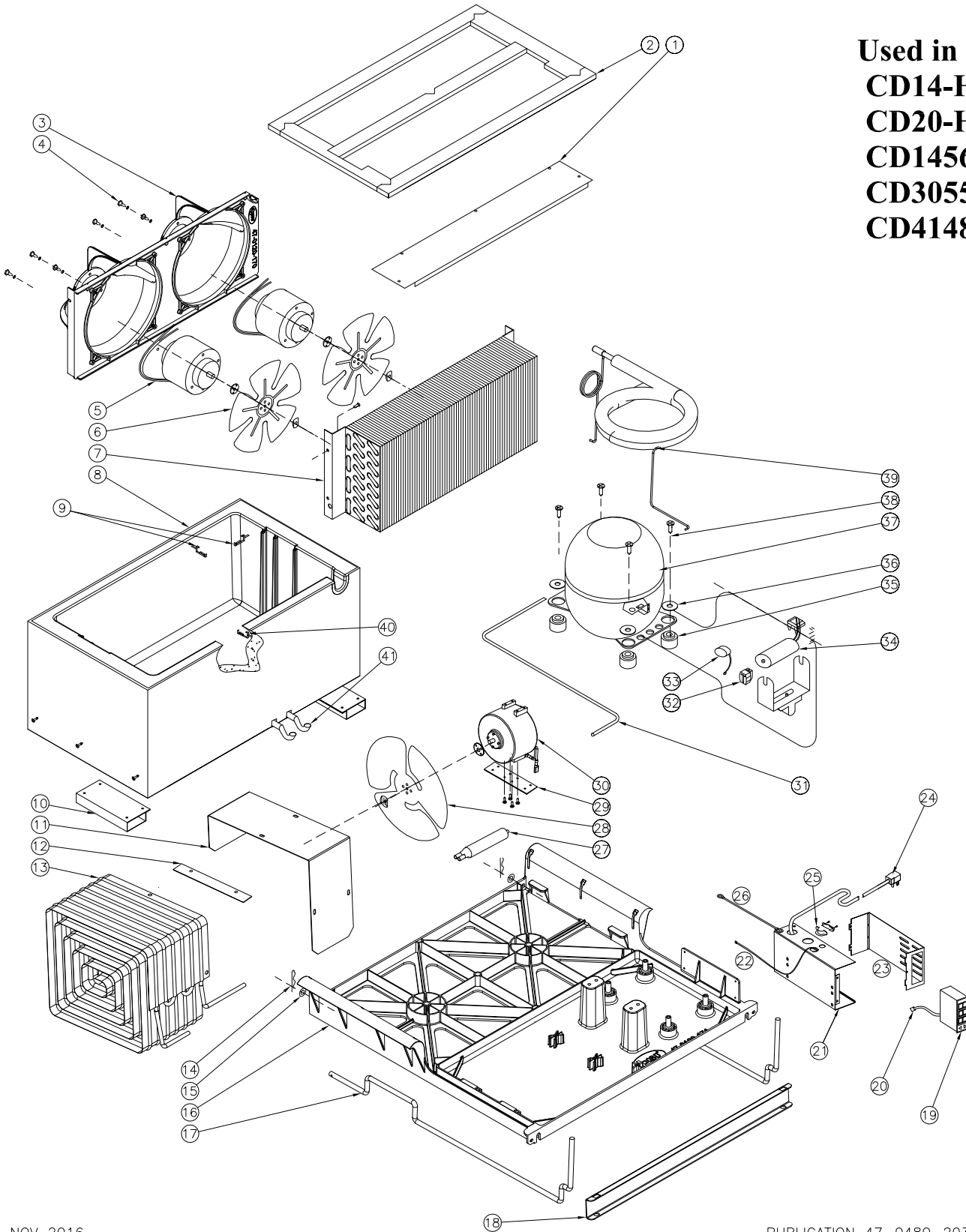
31 BRAMSTEELE ROAD
BRAMPTON, ONTARIO
L6W 3K6

QBD® Cooling Systems Inc.

TEL: (905) 459-0709
FAX: (905) 459-1478

REF. CHASSIS 1/4HP
WITH DUAL EVAP. FAN
80-0011-227 120V, 60Hz

Used in Models:
CD14-HC
CD20-HC
CD1456-HC
CD3055-HC
CD4148-HC





Cooling Systems Inc.

31 Bramsteede Rd
Brampton, Ontario, Canada
L6W 3K6

Telephone: (905) 459-0709
Toll Free: (800) 663-3005
FAX: (905) 459-1478
info@qbd.com
www.qbd.com

Refrigeration Chassis ¼ HP

80-0011-227 HC R290

120V, 60 Hz.

Item No.	Part No.	Pepsi Part No.	Description	Item No.	Part No.	Pepsi Part No.	Description
1	47-0033-376		Baffle CD ¼ HP Evap Air	22	47-0450-281		Harness CD Compressor
2	47-0060-177		Gasket Seal UL Ref CD ¼ HP	23	47-0035-463		Cover, HC Chassis Control
3	47-0120-168	1007550	Shroud, ¼ HP CD Evap Plastic	24	47-0450-261		Cord Power 3 Wire ¼ CD 24"
4	20-0470-002	81343	SCW,ST 8-32x.312" PH PAN HD F"	25	47-0530-445		Non Metal Sheathed Cable Connector
5	47-0410-068		Motor 13W ECR2" - Electric	26	47-0450-143		Wire, 12" Green #10 Ring - #8 Ring
6	47-0120-060		Fan Blade 6" Dia	27	47-0011-317		Drier Assy, ¼" Swagged
7	47-0530-380	1004554	Evap. Coil THD/CD	28	47-0530-541	57910	Fan Blade OP OU7737-5 CW
8	47-0011-228		Evap. Box Assy CD ¼ HP Plastic	29	47-0035-469		Bracket, HC ¼ HP Cond Fan
9	47-0530-690		Clip Wire	30	47-0410-068		Motor 13W ECR2" - Electric
10	47-0033-392		Support CD Rod Rest	31	47-0100-313		Tube, CD ¼ HP Discharge
11	47-0033-996		Shroud Condenser	32	47-0430-246		Relay, EM2X3121U
12	47-0034-360		Bracket, Condenser Hold Down	33	47-0430-247		Overload, EM2X3121U
13	47-0530-568		Cond. ¼ HP, ¼ OD Lint Forgiven	34	47-0430-248		Capacitor, EM2X3121U
14	47-0530-533		Cotton Pin 3/32" DIA x 1" LG	35	47-0530-664		Grommet (Compressor Foot)
15	18-6147-000		Washer ¾ SAE Flat ZC WFS-37	36	18-6147-002		Washer 5/16 Bolt Size ⅜" OD
16	47-0120-208		Platform, ¼ HP CD Comp Plas. Green	37	47-0530-688		Compressor ¼ HP EM2X3121U
17	47-0035-283		Rod, CD ¼ HP Lift Green	38	47-0400-043		SCW SM #14 - 1¼" L AB PH PAN HD
18	47-0033-411	1020397	Bracket, CD ¼ HP Lift Rod Lock	39	47-0020-614		Suction Line Assy CD R290
19	47-0430-202		Control, CAREL	40	47-0120-187	640774	Clip CD Probe
20	47-0430-204		Probe, CAREL	41	47-0120-194		P' Trap CD Plastic
21	47-0035-462		Box, HC Chassis Control				
				47-0520-255	1020990		Kit, CAREL Cold Control
				47-0520-279			Kit, Electrics for EM2X3121U