





**Cooling Systems Inc.**

31 Bramstele Rd  
Brampton, Ontario, Canada  
L6W 3K6

Telephone: (905) 459-0709  
Toll Free: (800) 663-3005  
FAX: (905) 459-1478  
[info@qbd.com](mailto:info@qbd.com)  
[www.qbd.com](http://www.qbd.com)

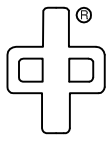
# CD14-HC Cooler

(84-7014-XXX) 120V, 60 Hz.

Item No.	Part No.	Pepsi Part No.	Description	Item No.	Part No.	Pepsi Part No.	Description
1	47-0120-074		Bushing Snap Dia 2"	18	<a href="#">47-0080-011</a>	1005559	Insert Bronze 5/8 OD x 1/4"
2	47-8620-039		Grill, CD14 Back Cover Black	19	<a href="#">47-0090-081</a>	1009576	Pin Pivot Top
3	47-0520-214	57175	Kit, CD14 Caster Dual Wheels	20	<a href="#">47-0090-012</a>	81559	Hinge, DC/CD RH Top Door
4	47-0530-089	510204	Level Leg 1/2 x 3 x 1 1/8 AF	21	47-7645-739	1002154	Door Assy CD14 RH
5	47-0035-106	1024441	Duct, CD Small Air	22	47-7646-739	1008346	Door Assy CD14 LH
6	47-0034-596		Panel, CD14 Top Discharge	23	<a href="#">47-0140-019</a>	1002370	Gasket, CD14 Door Mag. M-218
7a	47-0011-056	1021855	Center Post Assy, CD14 Beige	24	<a href="#">47-0090-014</a>	1001725	Hinge, DC/CD LH Top Door
7b	47-0011-121		Center Post Assy, CD14 Black	25	<a href="#">47-0034-003</a>		Clip CD14 Shelf Stopper
7c	47-0011-175		Center Post Assy, CD14 White	26	47-0200-182	1002189	Shelf CD14 Flat
8	<a href="#">53-0377-032</a>	510362	Bracket (Clip) Shelf Support	27a	47-0130-577		Price Holder CD14 Black
9	47-0033-989		Pilaster Strip, 34 3/8"	27b	47-0130-545		Price Holder CD14 Blue
10	80-0011-227		Ref. Chassis 1/4+ HP CD <b>HC R290</b>	28	47-0450-314		Connector, CD4154-60 Wire Lead
11	47-0033-411	1020397	Bracket, CD 1/4 HP Lift Rod Lock	29	47-0130-800		Cap, CD14-HC Top LED
12	47-8617-039	1020089	Grill CD14 Black Front	30	47-0530-671	1027017	LED, 35.5" L11-35.5 Series
13	47-0090-015	1001724	Hinge, DC/CD LH BTM Door	31	47-0130-748		Cap, CD26-HC Side LED Snap 2.75
14	<a href="#">47-0120-166</a>	1002413	Handle, Recess Dr Charcoal Gray	32	47-0450-284		Connector, 24" Wire Lead
15	<a href="#">47-0090-082</a>	1009577	Pin Pivot Bottom - Steel	33	<a href="#">47-0440-087</a>		Driver, LED 20W
16	<a href="#">53-0149-069</a>	510108	Spring Door	34	<a href="#">47-0440-007</a>	1003097	Outlet, 3 Wire
17	<a href="#">47-0090-013</a>	80977	Hinge, DC/CD RH BTM Door	35	<a href="#">18-7218-001</a>	1007217	Cord, Power 14/3 SJTW-A 12'

**Accessories:**

47-0011-140	1007046	Shelf, CD14 600ml Gravity
<a href="#">47-0034-128</a>	61726	Key, Door T-Handle
47-0060-177		Gasket Seal UL Ref CD 1/4 HP
47-0130-544		Shelf Glide CD14 Gravity Blue
<a href="#">47-0520-216</a>	1001844	Caster Kit – Swivel Type
47-0520-218	1005838	Kit, CD Double Hinged Door Lock
47-0520-245	1001883	Kit, Casters Transfer - No Wheels
47-0520-279		Kit, Electrics for EM2X3121U

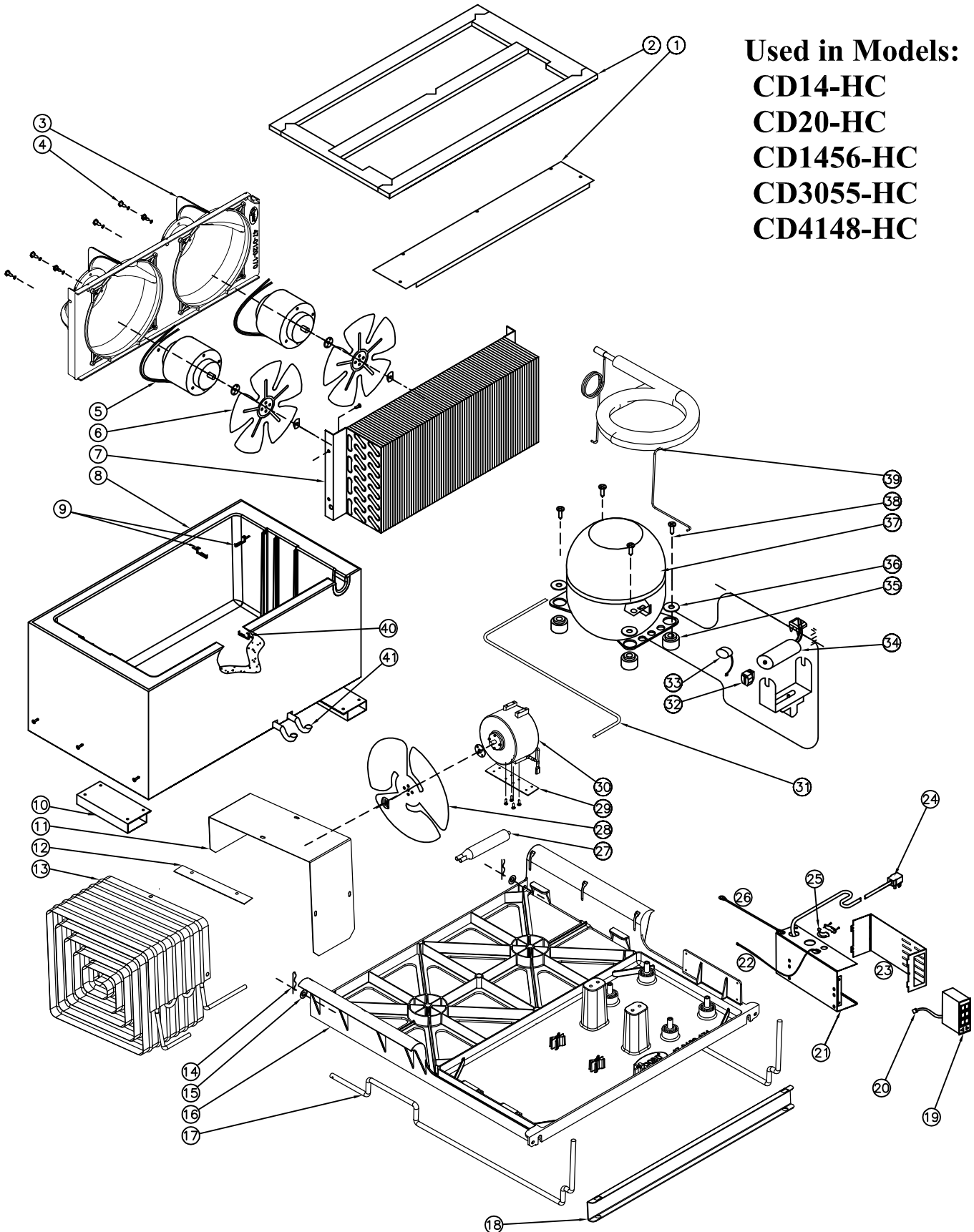


QBD<sup>®</sup> Cooling Systems Inc.

31 BRAMSTEELE ROAD  
BRAMPTON, ONTARIO  
L6W 3K6

TEL: (905) 459-0709  
FAX: (905) 459-1478

REF. CHASSIS 1/4+HP PLASTIC BASE  
WITH DUAL EVAPORATOR FAN  
80-0011-227 120V, 60Hz





**Cooling Systems Inc.**

31 Bramsteele Rd  
Brampton, Ontario, Canada  
L6W 3K6

Telephone: (905) 459-0709  
Toll Free: (800) 663-3005  
FAX: (905) 459-1478  
[info@qbd.com](mailto:info@qbd.com)  
[www.qbd.com](http://www.qbd.com)

# Refrigeration Chassis 1/4+ HP

## 80-0011-227 HC R290

120V, 60 Hz.

Item No.	Part No.	Pepsi Part No.	Description	Item No.	Part No.	Pepsi Part No.	Description
1	47-0033-376		Baffle CD 1/4 HP Evap Air	22	47-0450-281		Harness CD Compressor
2	47-0060-177		Gasket Seal UL Ref CD 1/4 HP	23	47-0035-463		Cover, HC Chassis Control
3	47-0120-168	1007550	Shroud, 1/4 HP CD Evap Plastic	24	47-0450-261		Cord Power 3 Wire 1/4 CD 24"
4	20-0470-002	81343	SCW,ST 8-32x.312" PH PAN HD F"	25	47-0530-445		Non Metal Sheathed Cable Connector
5a	47-0410-068		Motor 13W ECR2" - Electric	26	47-0450-143		Wire, 12" Green #10 Ring - #8 Ring
5b	47-0410-071		Motor Fan UNADA	27	47-0011-317		Drier Assy, 1/4" Swagged
6	47-0120-060		Fan Blade 6" Dia	28	47-0530-541	57910	Fan Blade OP OU7737-5 CW
7	47-0530-380	1004554	Evap. Coil THD/CD	29	47-0035-469		Bracket, HC 1/4 HP Cond Fan
8	47-0011-228		Evap. Box Assy CD 1/4 HP Plastic	30a	47-0410-068		Motor 13W ECR2" - Electric
9	47-0530-690		Clip Wire	30b	47-0410-071		Motor Fan UNADA
10	47-0033-392		Support CD Rod Rest	31	47-0100-313		Tube, CD 1/4 HP Discharge
11	47-0033-996		Shroud Condenser	32	47-0430-246		Relay, EM2X3121U
12	47-0034-360		Bracket, Condenser Hold Down	33	47-0430-247		Overload, EM2X3121U
13	47-0530-568		Cond. 1/4 HP, 1/4 OD Lint Forgiven	34	47-0430-248		Capacitor, EM2X3121U
14	47-0530-533		Cotton Pin 3/32" DIA x 1" LG	35	47-0530-664		Grommet (Compressor Foot)
15	18-6147-000		Washer 3/8 SAE Flat C WFS-37	36	18-6147-002		Washer 5/16 Bolt Size " OD
16	47-0120-208		Platform, 1/4 HP CD Comp Plas. Green	37	47-0530-688		Compressor 1/4+ HP EM2X3121U
17	47-0035-283		Rod, CD 1/4 HP Lift Green	38	47-0400-043		SCW SM #14 - 1 1/4" L AB PH PAN HD
18	47-0033-411	1020397	Bracket, CD 1/4 HP Lift Rod Lock	39	47-0020-614		Suction Line Assy CD R290
19	47-0430-202		Control, CAREL	40	47-0120-187	640774	Clip CD Probe
20	47-0430-204		Probe, CAREL	41	47-0120-194		P' Trap CD Plastic
21	47-0035-462		Box, HC Chassis Control				
				47-0520-255	1020990		Kit, CAREL Cold Control
				47-0520-279			Kit, Electrics for EM2X3121U