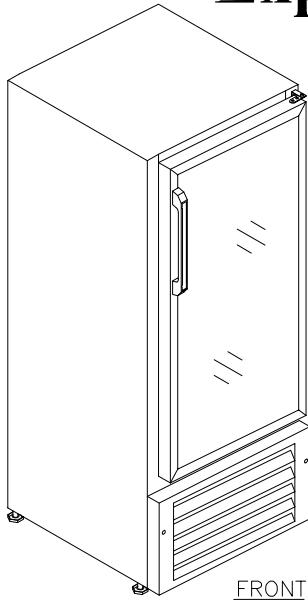
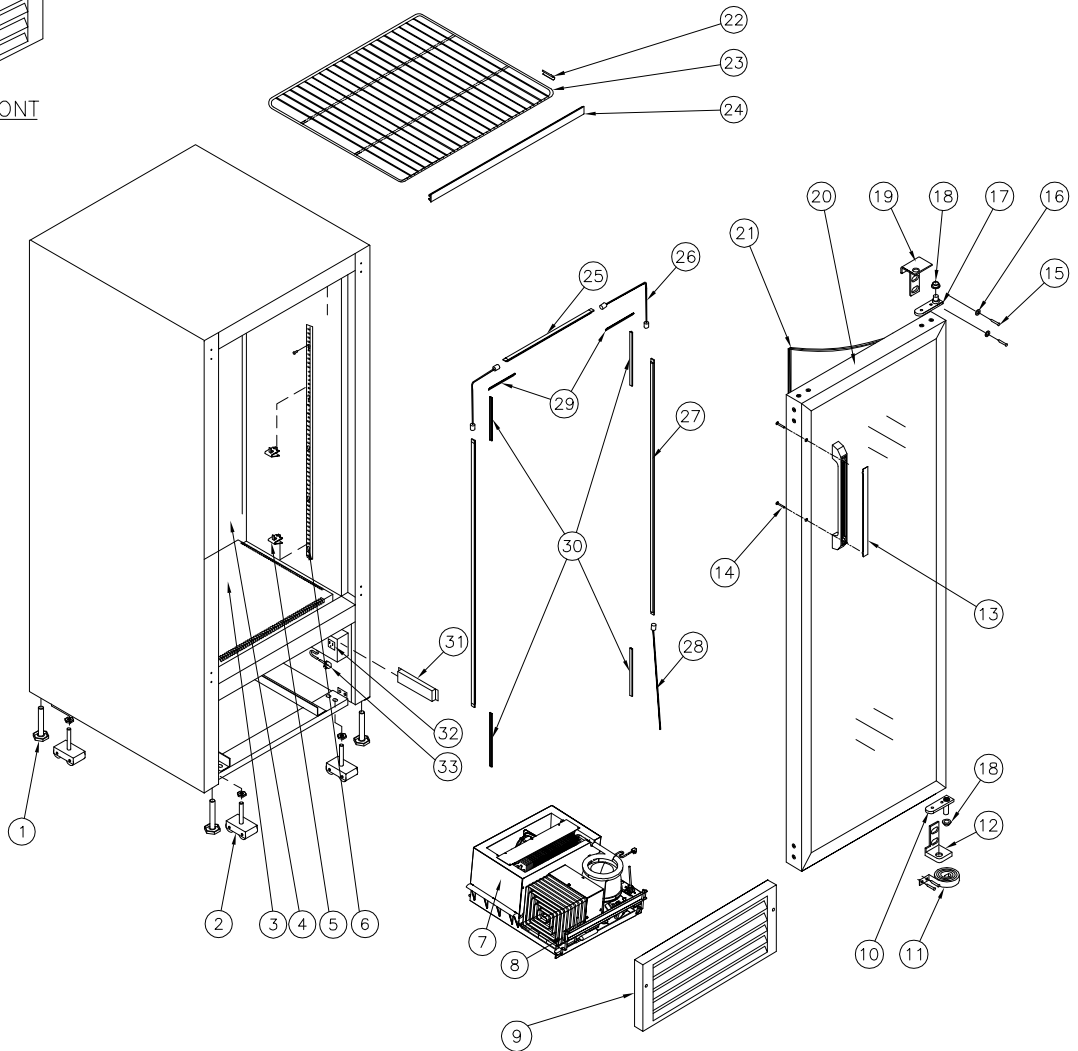


Exploded View : CD10-58-HC



ASSEMBLED
CD10-58-HC COOLER



NOTE: FOR LEFT HAND HINGE DETAILS, SEE PARTS LISTING.



Cooling Systems Inc.

31 Bramsteede Rd
Brampton, Ontario, Canada
L6W 3K6

Telephone: (905) 459-0709
Toll Free: (800) 663-3005
FAX: (905) 459-1478
info@qbd.com
www.qbd.com

CD1058-HC Cooler

(84-7011-XXX) 120V, 60 Hz.

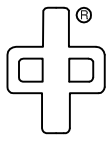
Item No.	Part No.	Pepsi Part No.	Description	Item No.	Part No.	Pepsi Part No.	Description
1	47-0530-089	510204	Level Leg ½ x 3 x 1 ¾ AF	18	47-0080-011	1005559	Insert Bronze ⅝ OD x ¼"
2	47-0520-214	57175	Kit, CD14 Caster Dual Wheels	19	47-0090-012	81559	Hinge RH Top Door
3	47-0034-919		Base CD10 Step	20	47-7693-739		Door Assy CD10-58
4	47-0034-918		Panel CD10 Discharge	21	47-0140-033		Gasket Door Mag. CD10-58 M-218
5	53-0377-032	510362	Bracket (Clip) Shelf Support	22	47-0034-003		Clip CD14HB Shelf Stopper
6	47-0033-989		Pilaster Strip, 34⅝"	23	47-0200-176	1002187	Shelf CD10/12 Flat
7a	80-0011-227F1	1027020	Ref. Chassis ¼ HP CD HC R290	24a	47-0130-250	1000819	Price Holder 18¾ Black
7b	80-0011-227E1		Ref. Chassis ¼ HP CD HC R290	24b	47-0130-130		Price Holder 18¾ Blue
8	47-0033-411	1020397	Bracket, CD ¼ HP Lift Rod Lock	25	47-0530-669	1027015	LED, 11.5" L11 - 11.5 Series
9	47-0120-183	1008303	Grill CD10/12 Front	26	47-0450-287		Connector, 4" Butt
10	47-0090-082	1009577	Pin Pivot Bottom	27	47-0530-671	1027017	LED, 35.5" L11 - 35.5 Series
11	53-0149-069	510108	Spring DC Hinged Door	28	47-0450-283		Connector, 12" Wire Lead
12	47-0090-013	80977	Hinge RH BTM Door	29	47-0130-740		Cap, CD10/12-HC Top LED
13	47-0010-615	59359	Handle Assy Kit	30	47-0130-818		Cap, CD10-58-HC Top/Bottom LED
14	47-0400-038		SCW ST 8-32 X ¾ PH FT HD BLK	31	47-0440-087		Driver, LED 20W
15	47-0264-308	83973	SCW MA ¼ - 20 X ¾ Pan HD Quad	32	47-0440-007	1003097	Outlet, 3 Wire
16	53-0267-006	83974	Washer ¼ Split Lock Zinc	33	18-7218-001	1007217	Cord, Power 14/3 SJTW-A 12'
17	47-0090-081	1009576	Pin Pivot Top				

Left Hand Hinge Parts:

47-0090-015	1001724	Hinge, LH Bottom Door
47-0090-014	1001725	Hinge, LH Top Door

Accessories:

47-0011-091	1004688	Shelf, 600ml Gravity
47-0034-128	61726	Key, Door T-Handle
47-0060-177		Gasket Seal UL Ref CD ¼ HP
47-0130-506	1005148	Shelf Glide CD10/12, CD4148 Blue
47-0130-586		Shelf Glide CD10/12, CD4148 White
47-0520-216	1001844	Caster Kit – Swivel Type
47-0520-223	43455	Kit, CD10/12 Door Lock
47-0520-245	1001883	Kit, Casters Transfer - No Wheels
47-0520-279		Kit, Electrics for EM2X3121U
47-8811-932		Decal, Door Pepsi CD10/12
47-9133-932		Decal, Side Pepsi CD10-58

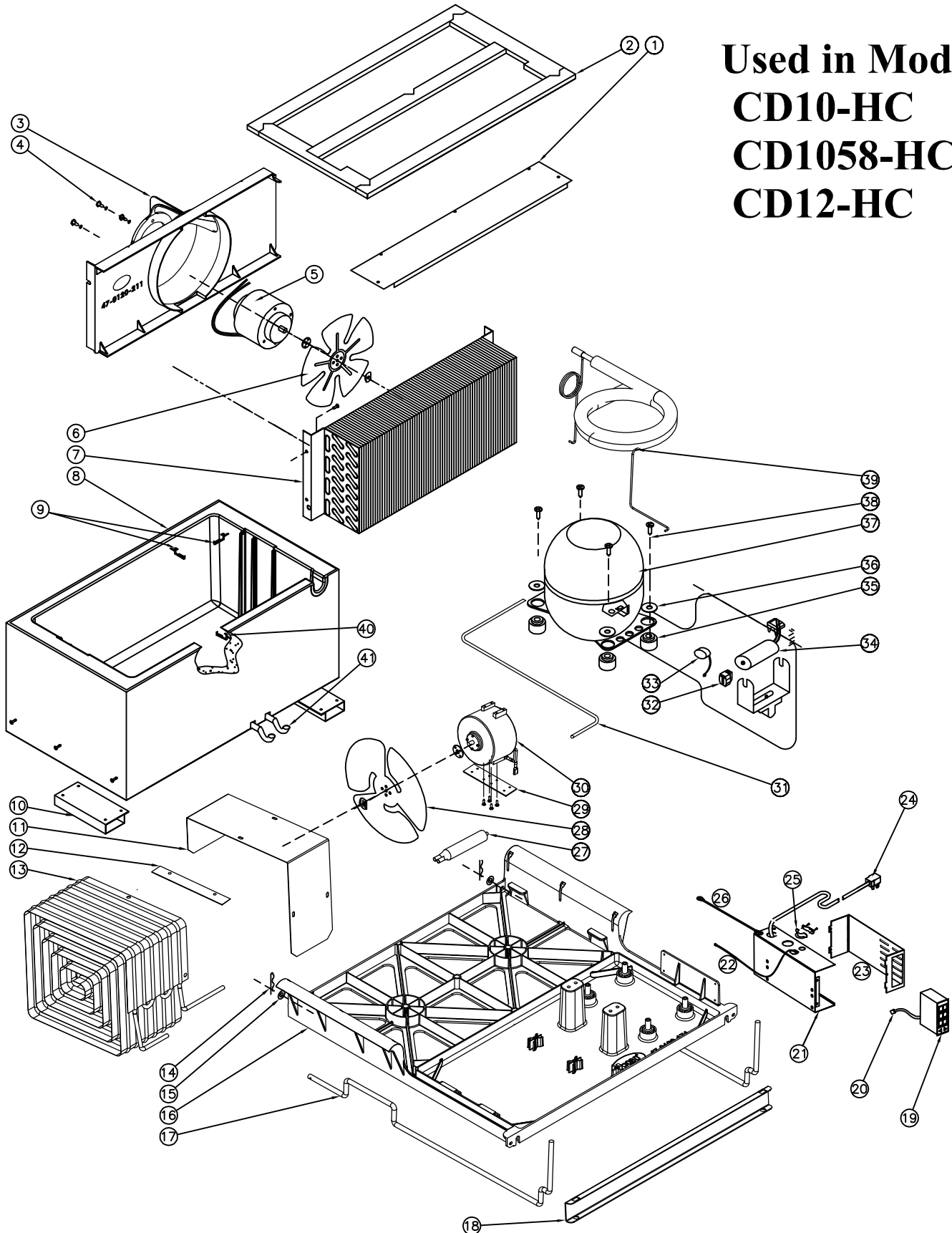


QBD® Cooling Systems Inc.

31 BRAMSTEELE ROAD
BRAMPTON, ONTARIO
L6W 3K6

TEL: (905) 459-0709
FAX: (905) 459-1478

REF. CHASSIS 1/4+HP PLASTIC BASE
WITH SINGLE EVAPORATOR FAN
80-0011-227F1 120V, 60Hz



Used in Models:
CD10-HC
CD1058-HC
CD12-HC



Cooling Systems Inc.

31 Bramsteele Rd
Brampton, Ontario, Canada
L6W 3K6

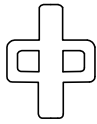
Telephone: (905) 459-0709
Toll Free: (800) 663-3005
FAX: (905) 459-1478
info@qbd.com
www.qbd.com

Refrigeration Chassis 1/4+ HP

80-0011-227F1 HC R290

120V, 60 Hz.

Item No.	Part No.	Pepsi Part No.	Description	Item No.	Part No.	Pepsi Part No.	Description
1	47-0033-376		Baffle CD 1/4 HP Evap Air	22	47-0450-281		Harness CD Compressor
2	47-0060-177		Gasket Seal UL Ref CD 1/4 HP	23	47-0035-463		Cover, HC Chassis Control
3	47-0120-211		Shroud, 1/4 HP Single Fan	24	47-0450-261		Cord Power 3 Wire 1/4 CD 24"
4	20-0470-002	81343	SCW,ST 8-32x.312" PH PAN HD F"	25	47-0530-445		Non Metal Sheathed Cable Connector
5a	47-0410-068		Motor 13W ECR2" - Electric	26	47-0450-143		Wire, 12" Green #10 Ring - #8 Ring
5b	47-0410-071		Motor Fan UNADA-FM	27	47-0011-317		Drier Assy, 1/4" Swagged
6	47-0120-060		Fan Blade 6" Dia	28	47-0530-541	57910	Fan Blade OP OU7737-5 CW
7	47-0530-380	1004554	Evap. Coil THD/CD	29	47-0035-469		Bracket, HC 1/4 HP Cond Fan
8	47-0011-228		Evap. Box Assy CD 1/4 HP Plastic	30a	47-0410-068		Motor 13W ECR2" - Electric
9	47-0530-690		Clip Wire	30b	47-0410-071		Motor Fan UNADA-FM
10	47-0033-392		Support CD Rod Rest	31	47-0100-313		Tube, CD 1/4 HP Discharge
11	47-0033-996		Shroud Cond.	32	47-0430-246		Relay, EM2X3121U
12	47-0034-360		Bracket, Condenser Hold Down	33	47-0430-247		Overload, EM2X3121U
13	47-0530-568		Condenser 1/4 HP, 1/4 OD Lint Forgiven	34	47-0430-248		Capacitor, EM2X3121U
14	47-0530-533		Cotton Pin 3/32" DIA x 1" LG	35	47-0530-664		Grommet (Compressor Foot)
15	18-6147-000		Washer 3/8 SAE Flat ZC WFS-37	36	18-6147-002		Washer 5/16 Bolt Size 7/8" OD
16	47-0120-208		Platform, 1/4 HP CD Comp Plas. Green	37	47-0530-688		Compressor 1/4+ HP EM2X3121U
17	47-0035-283		Rod, CD 1/4 HP Lift Green	38	47-0400-043		SCW SM #14 1 1/4" L AB PH PAN HD
18	47-0033-411	1020397	Bracket, CD 1/4 HP Lift Rod Lock	39	47-0020-614		Suction Line Assy CD R290
19	47-0430-202		Control, CAREL	40	47-0120-187	640774	Clip CD Probe
20	47-0430-204		Probe, CAREL	41	47-0120-194		P' Trap CD Plastic
21	47-0035-462		Box, HC Chassis Control				
				47-0520-255	1020990		Kit, CAREL Cold Control
				47-0520-279			Kit, Electrics for EM2X3121U

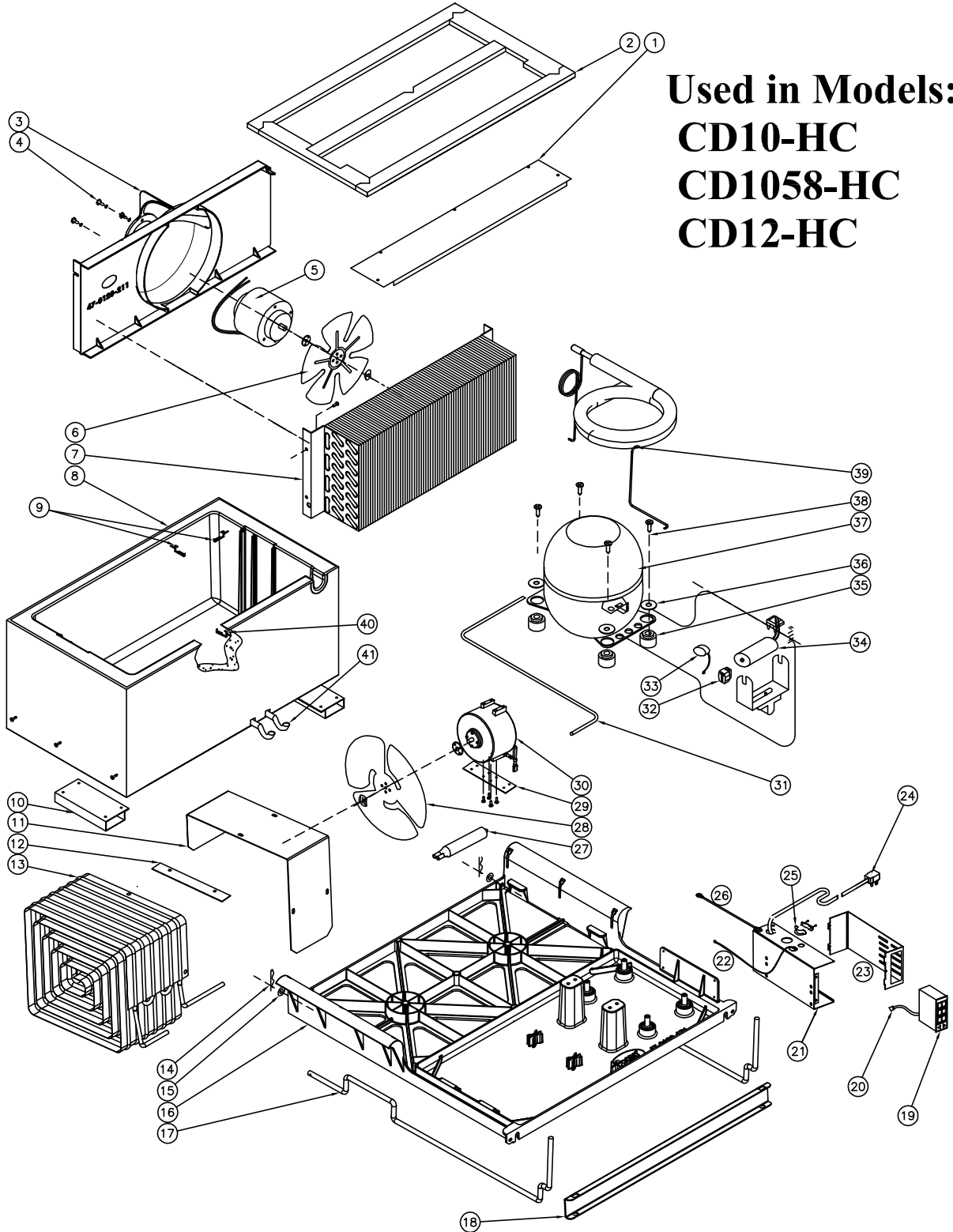


QBD® Cooling Systems Inc.

31 BRAMSTEELE ROAD
BRAMPTON, ONTARIO
L6W 3K6

TEL: (905) 459-0709
FAX: (905) 459-1478

REF. CHASSIS 1/6 Hp PLASTIC
BASE WITH SINGLE EVAP. FAN
80-0011-227E1 120V, 60Hz





Cooling Systems Inc.

31 Bramsteele Rd
Brampton, Ontario, Canada
L6W 3K6

Telephone: (905) 459-0709
Toll Free: (800) 663-3005
FAX: (905) 459-1478
info@qbd.com
www.qbd.com

Refrigeration Chassis 1/6 HP

80-0011-227E1 HC R290

120V, 60 Hz.

Item No.	Part No.	Pepsi Part No.	Description	Item No.	Part No.	Pepsi Part No.	Description
1	47-0033-376		Baffle CD 1/4 HP Evap Air	22	47-0450-281		Harness CD Compressor
2	47-0060-177		Gasket Seal UL Ref CD 1/4 HP	23	47-0035-463		Cover, HC Chassis Control
3	47-0120-211		Shroud, 1/4 HP Single Fan	24	47-0450-261		Cord Power 3 Wire 1/4 CD 24"
4	20-0470-002	81343	SCW,ST 8-32x.312" PH PAN HD F"	25	47-0530-445		Non Metal Sheathed Cable Connector
5	47-0410-071		Motor Fan UNADA-FM115609	26	47-0450-143		Wire, 12" Green #10 Ring - #8 Ring
6	47-0120-060		Fan Blade 6" Dia	27	47-0011-316		Drier Assy, 1/4" Swagged
7	47-0530-705		Evap. Coil	28	47-0530-541	57910	Fan Blade OP OU7737-5 CW
8	47-0011-228		Evap. Box Assy CD 1/4 HP Plastic	29	47-0035-469		Bracket, HC 1/4 HP Cond Fan
9	47-0530-690		Clip Wire	30	47-0410-071		Motor Fan UNADA-FM115609
10	47-0033-392		Support CD Rod Rest	31	47-0100-313		Tube, CD 1/4 HP Discharge
11	47-0033-996		Shroud Cond.	32	47-0430-249		Relay EMI50UER
12	47-0034-360		Bracket, Condenser Hold Down	33	47-0430-251		Overload EMI50UER
13	47-0530-692		Condenser 1/4 HP, 3/16 OD Lint Forgiven	34	47-0430-250		Capacitor EMI50UER
14	47-0530-533		Cotton Pin 3/32" DIA x 1" LG	35	47-0530-664		Grommet (Compressor Foot)
15	18-6147-000		Washer 3/8 SAE Flat ZC WFS-37	36	18-6147-002		Washer 5/16 Bolt Size 7/8" OD
16	47-0120-208		Platform, 1/4 HP CD Comp Plas. Green	37	47-0530-691		Compressor 1/4 HP EMI50UER
17	47-0035-283		Rod, CD 1/4 HP Lift Green	38	47-0400-043		SCW SM #14 1 1/4" L AB PH PAN HD
18	47-0033-411	1020397	Bracket, CD 1/4 HP Lift Rod Lock	39	47-0020-614		Suction Line Assy CD R290
19	47-0430-202		Control, CAREL	40	47-0120-187	640774	Clip CD Probe
20	47-0430-204		Probe, CAREL	41	47-0120-194		P' Trap CD Plastic
21	47-0035-462		Box, HC Chassis Control				
				47-0520-255	1020990		Kit, CAREL Cold Control Kit, Electrics for EMI50UER