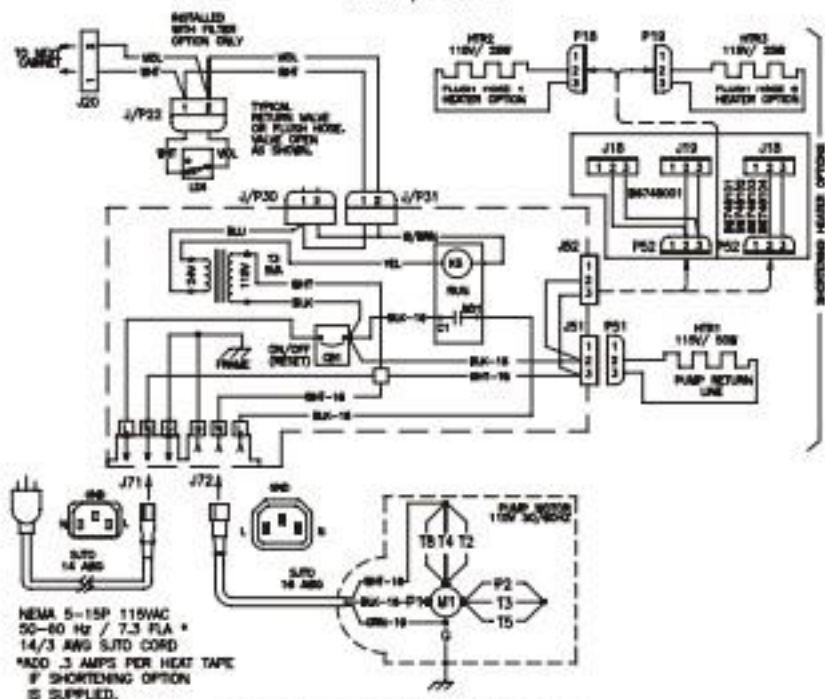


A  
B  
C  
D  
E  
F  
G



220-230V OR 240V/50HZ

