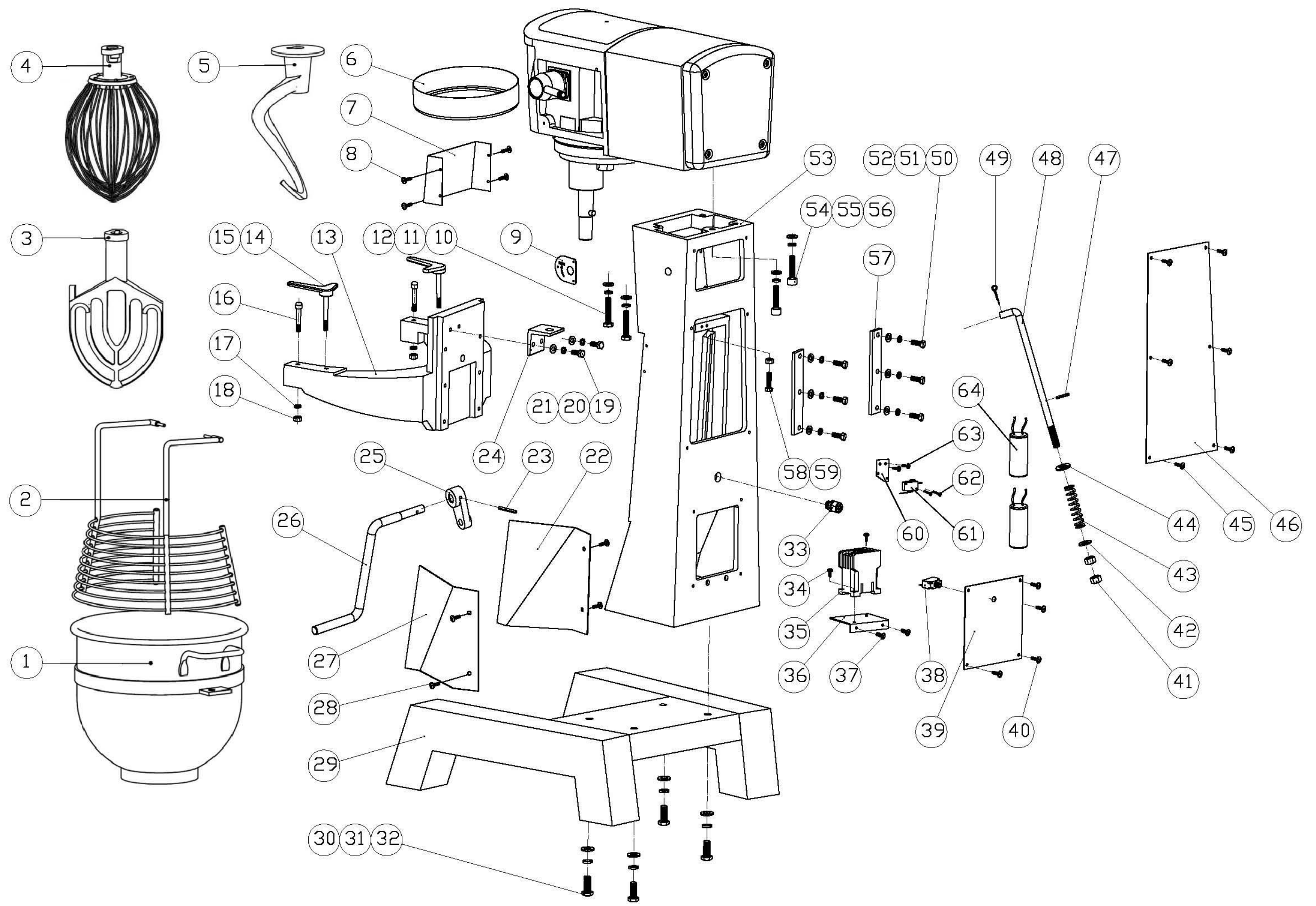




General Assembly PM-30

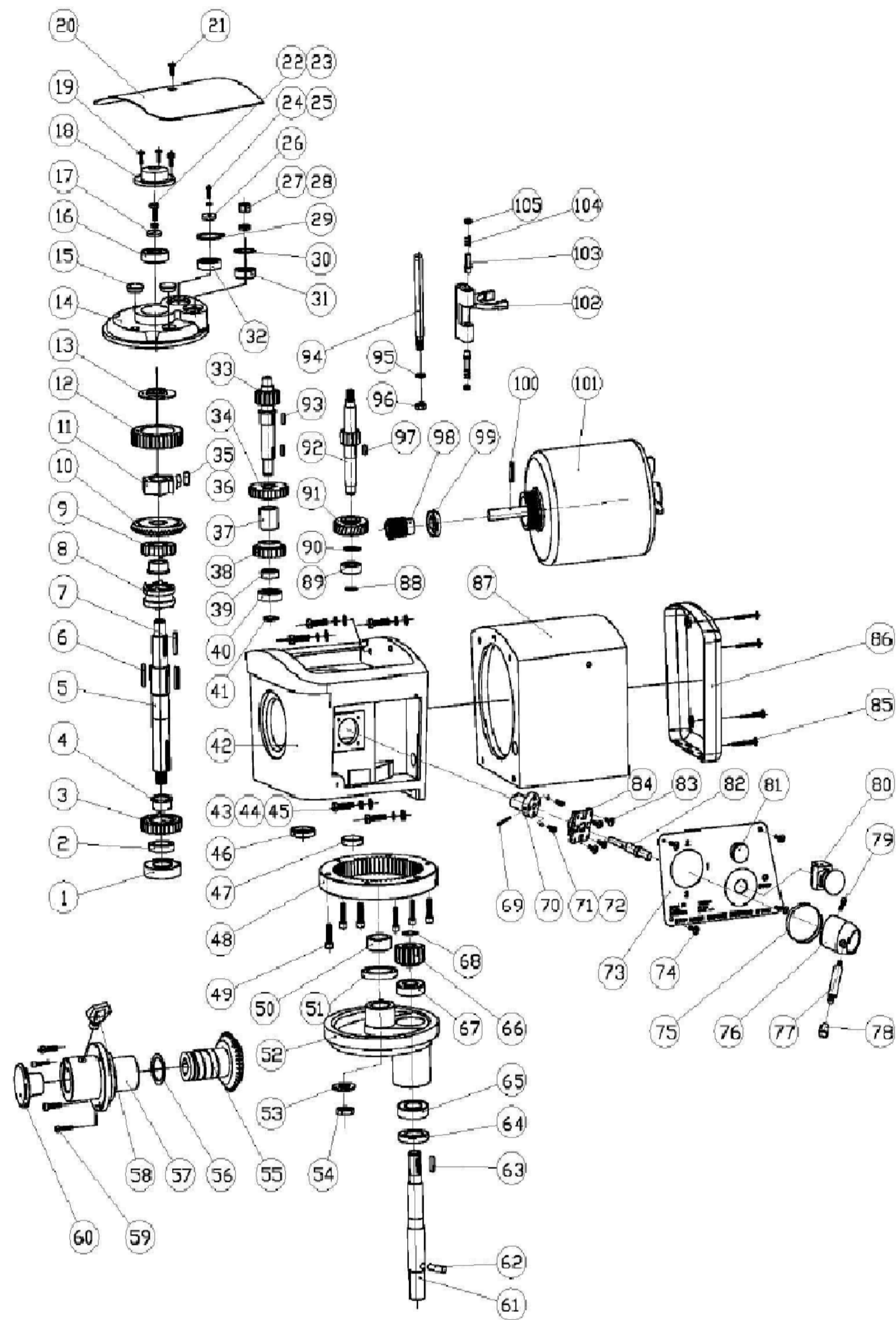
XV	DESC	MVP CODE
1	Bowl	01-P305
2	Safety guard	01-P304
3	Beater	01-P302
4	Wire Whip	01-P303
5	Hook	01-P301
6	Hood ring	01-P322
7	Rail end cap	01-P620
8	Philips screw M4x8	01-P572
9	handle sticker	01-P560
10	Bolt M10x50	01-P461
11	Flat washer Φ10	01-P177
12	Spring washer Φ10	01-P154
13	Support	01-P736
14	Bowl hold kits	01-P348
15	Buckle block screw	01-P623
16	Bowl locating pin bolts	01-P624
17	Spring washer Φ8	01-P136
18	Screw nut M8	01-P108
19	Hex bolts M8x20	01-P462
20	Flat washer Φ8	01-P469
21	Spring washer Φ8	01-P136
22	Side guard A	01-P625
23	Elastic cylindrical pin	01-P626
24	Clevis	01-P627
25	Crank lever	01-P386
26	Handle-shifter	01-P387
27	Side guard B	01-P628
28	Philips screw M5x8	01-P477
29	Base	01-P352
30	Hex bolts M12x30	01-P630
31	Spacer	01-P391
32	Spring washers	01-P375
33	Gland M20x1.5	01-P631
34	Philips screw M4x14	01-P486
35	Contact switch	01-P429
35	Contact switch	01-P430
35	Contact switch	01-P410
36	Contactora fixed angle iron	01-P633
37	Phillips screws M6x12	01-P634
38	Heat overload relay 220V/50Hz(10A)	01-P635
38	Overload switch 110V/60Hz(20A)	01-P432
38	Overload switch 400V(4-6A)	01-P433
39	Rear cover	01-P636
40	Philips screw M5x8	01-P477
41	Nut M12	01-P374
42	Spacer Φ12	01-P391
43	Spring 19x80x3.0	01-P390
44	Spacer Φ14	01-P350
45	Philips screw M5x8	01-P477
46	Column top cover	01-P639
47	Elastic cylindrical pin 4x25	01-P500
48	Connecting rod	01-P388
49	Cotter 3x25	01-P497
50	Hex bolts M8x20	01-P462
51	Flat washer Φ8	01-P469
52	Spring washer Φ8	01-P136
53	Body housing	01-P347
54	Hexagon socket head bolts M10x45	01-P642
55	Spacer Φ10	01-P177
56	Spring washer Φ10	01-P154
57	Guide rail plate	01-P643
58	Hex bolts M8x30	01-P472
59	Screw nut M8	01-P108
60	Micro switch rack	01-P645
61	Micro switch	01-P295
62	Philips screw M3x16	01-P504
63	Philips screw M5x12	01-P647
64	Operation capacitor 220V~240V	01-P436
64	Start capacitor 220V~240V	01-P434
64	Start capacitor 110V 35uF	01-P437
64	Operation capacitor 110V 200uF	01-P435





Mixer Head PM-30

XV	DESC	MVP CODE
1	Bearing 6206	01-P344
2	Gasket	01-P343
3	Gear	01-P342
4	Bushing	01-P358
5	Main shaft	01-P332
6	Flat key 5x36	01-P464
7	Flat key C6x32	01-P463
8	Sleeve	01-P341
9	Sleeve	01-P357
10	Gear	01-P339
11	Gear	01-P425
12	Super machine parts	01-P442
13	Spacer-lower	01-P337
14	Transmission shaft support	01-P354
15	Plug cover	01-P132
16	Bearing	01-P110
17	Shaft retaining ring	01-P648
18	Top batter valve cap	01-P334
19	Philips screw M6x20	01-P649
20	Box cover	01-P650
21	Philips screw M6x12	01-P634
22	Hex bolts M8x20	01-P462
23	Spring washer Φ8	01-P136
24	Hex bolts M5x14	01-P652
25	Spring washer Φ5	01-P484
26	Shaft retaining ring	01-P654
27	Hex nuts M12x1.25	01-P655
28	Spring washersΦ12	01-P375
29	Hole circlip 40	01-P656
30	Hole circlip 35	01-P536
31	Bearing 6202	01-P124
32	Bearing 6203	01-P128
33	Gear shaft	01-P367
34	Gear	01-P368
35	Roller Φ8x19	01-P426
36	Coil spring	01-P658
37	Bushing	01-P369
38	Gear	01-P371
39	Gasket	01-P372
40	Bearing 6203	01-P128
41	Circlips for shaft	01-P356
42	Front housing	01-P359
43	Bolt M8x30 (4.8级)	01-P472
44	Bolt M8x30 (8.8级)	01-P660
45	Flat washer Φ8	01-P469
46	Spring washer	01-P136
47	Plug 1	01-P373
48	Plug 2	01-P381
49	Internal gear	01-P364
50	Cylinder hexagon screw M8x30	01-P582
51	Bushing	01-P345
52	Oil seal	01-P346
53	Operating shelf	01-P325
54	Washer	01-P662
55	Nut M18x1.5	01-P351
56	Gear	01-P321





56	Ring	01-P218
57	Attachment hub	01-P318
58	Spring	01-P115
59	Cylinder hexagon screw M6x20	01-P494
60	Plug attachment hub	01-P118
61	Working shaft	01-P329
62	Pin	01-P328
63	Flat key 6x25	01-P664
64	Oil seal 28x52x7	01-P327
65	Bearing 6205	01-P249
66	Planet gear	01-P324
67	Bearing 6204	01-P110
68	Circlips for shaft	01-P323
69	Elastic cylindrical pin 4x30	01-P605
70	Cam-gear shifter	01-P210
71	Spring	01-P528
72	Steel ball 6	01-P527
73	MARK	01-P361
74	Philips screw M4x6	01-P490
75	Seal up ring	01-P366
76	Handle set	01-P314
77	Speed handle	01-P316
78	Turnset	01-P315
79	Hex bolts M6x16	01-P669
80	Red button	01-P385
		01-P400
81	Green button	01-P181
82	Handle-shifter	01-P313
83	S.S philips screw M5x8	01-P477
84	Plate-shifter index	01-P211
85	Philips screw M5x40	01-P671
86	Back cover	01-P363
87	Case	01-P362
88	Circlips for shaft 15	01-P380
89	Bearing 6202	01-P124
90	Circlips for shaft 20	01-P379
91	Gear	01-P370
92	Shaft worm gear	01-P377
93	Key 5x16	01-P355
94	Declutch shift shaft	01-P330
95	RingΦ10	01-P154
96	Nut M10	01-P178
97	Key 5x15	01-P355
98	Worm wheel	01-P264
99	Oil seal	01-P265
100	Elastic cylindrical pin 6x30	01-P531
101	Motor 220V/60HZ	01-P673
	Motor 110V/60HZ	01-P382
	Motor 220V/50HZ	01-P674
	Motor 230V/50HZ	01-P675
	Motor 240V/50HZ	01-P676
	Motor 380V/50HZ	01-P677
	Motor 400V/50HZ	01-P678
102	Shifting yoke	01-P310
103	Pin shaft	01-P208
104	Spring	01-P207
105	Plunger-shifter yoke	01-P206