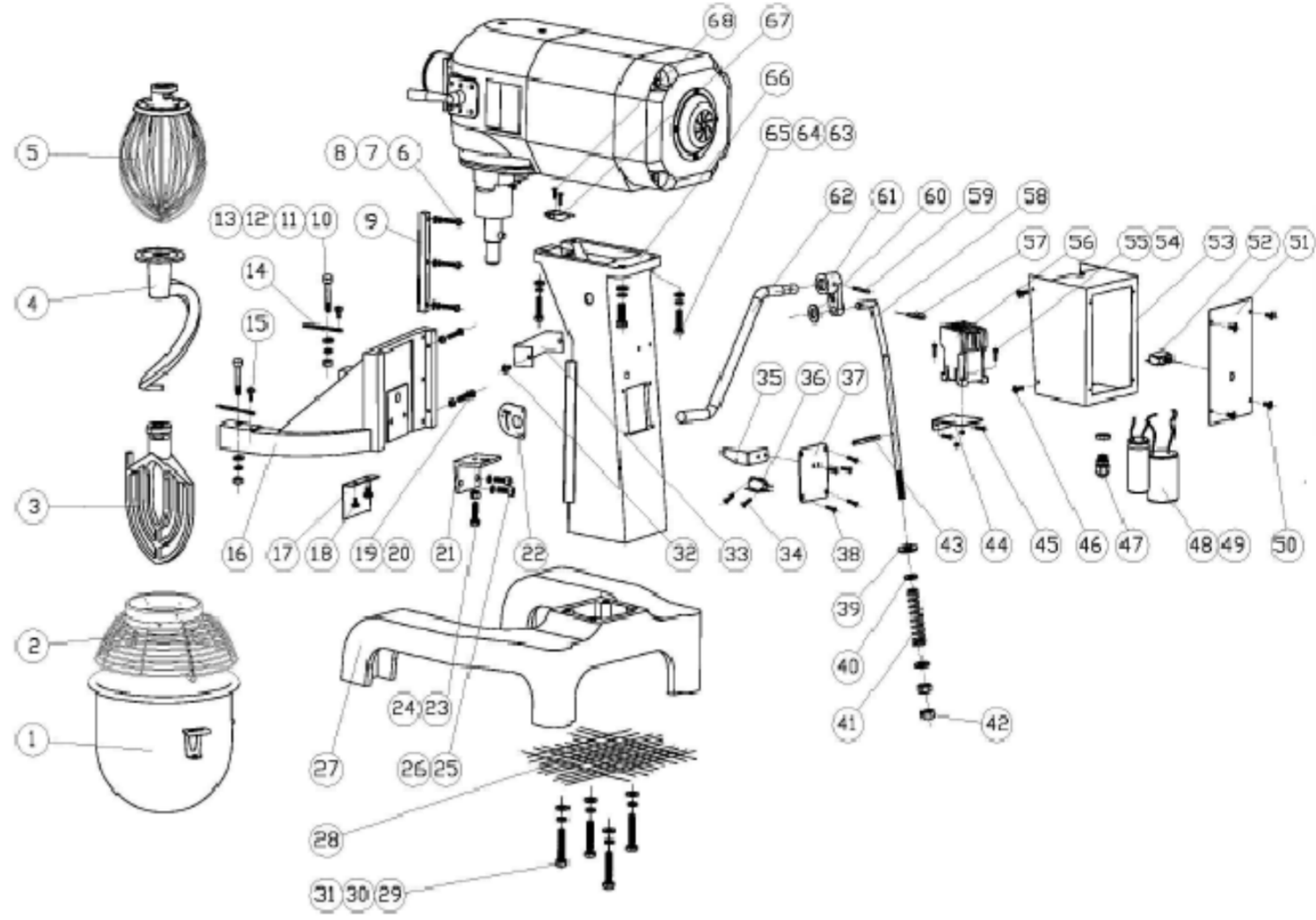




General Assembly PM-20

XV	DESC	MVP CODE
1	Bowl assembly	01-P205
2	Safety grid components	01-P550
3	Flat Beater	01-P203
4	Spiral dough hook	01-P202
5	Wire whip	01-P201
6	Bolt M6x25	01-P551
7	Flat washer Φ6	01-P474
8	Spring washer Φ6	01-P495
9	Layering	01-P554
10	Bowl locating pin	01-P468
11	Flat washer Φ8	01-P469
12	Spring washer Φ8	01-P136
13	Screw nut M8	01-P108
14	Press board	01-P179
15	Plate screw	01-P466
16	Support	01-P253
17	Cover plate	01-P555
18	Philips screw M5x8	01-P477
19	Bolt M6x25	01-P551
20	Screw nut M6	01-P558
21	Davit	01-P559
22	handle sticker	01-P560
23	Bolt M8x25	01-P541
24	Screw nut M8	01-P108
25	Cylinder hexagon screw M8x20	01-P562
26	Flat washer Φ8	01-P469
27	Case	01-P254
28	Filtering mesh	01-P563
29	Bolt M10x50	01-P461
30	Flat washer Φ10	01-P177



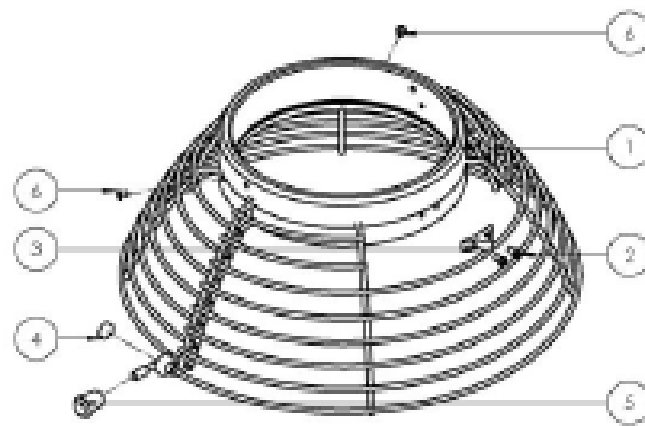


31	Spring washer Φ 10	01-P154
32	Philips screw M5x8	01-P477
33	Plate	01-P565
34	Philips screw M3x14	01-P566
35	Plate	01-P567
36	Micro switch	01-P295
37	Plate	01-P568
38	Philips screw M4x8	01-P569
39	Spacer 14	01-P280
40	Spacer 10	01-P177
41	Spring	01-P282
42	Screw nut M10	01-P178
43	Elastic cylindrical pin 4x25	01-P500
44	Plate	01-P571
45	Philips screw M4x8	01-P572
46	Philips screw M4x8	01-P569
47	PG9 gland	01-P506
48	Operation capacitor 20UF 450V	01-P299
	Operation capacitor 110V	01-P424
49	Start capacitor 150UF 250V	01-P298
	Start capacitor 110V	01-P423
50	Philips screw M4x8	01-P572
51	Plate	01-P576
52	Overload relay 8A	01-P297
	Overload relay 16A	01-P431
53	Electrical box	01-P577
54	Philips screw M4x14	01-P486
55	Screw nut M4	01-P579
56	AC contactor 220v	01-P191
	AC contactor 110v	01-P409
57	Cotter 3x25	01-P497
58	Connecting rod	01-P278
59	Elastic cylindrical pin 3x30	01-P498
60	Flat washer Φ 14	01-P280
61	Crank lever	01-P277
62	Handle-shifter	01-P276
63	Cylinder hexagon screw M8x30	01-P582/01-P660
64	Flat washer Φ 8	01-P469
65	Spring washer Φ 8	01-P136
66	Stud	01-P441
67	Distance switch	01-P295
68	Philips screw M3x25	01-P583
	Screw nut M3	01-P584
	Philips screw M4x14	01-P486



Safety Grid PM-20

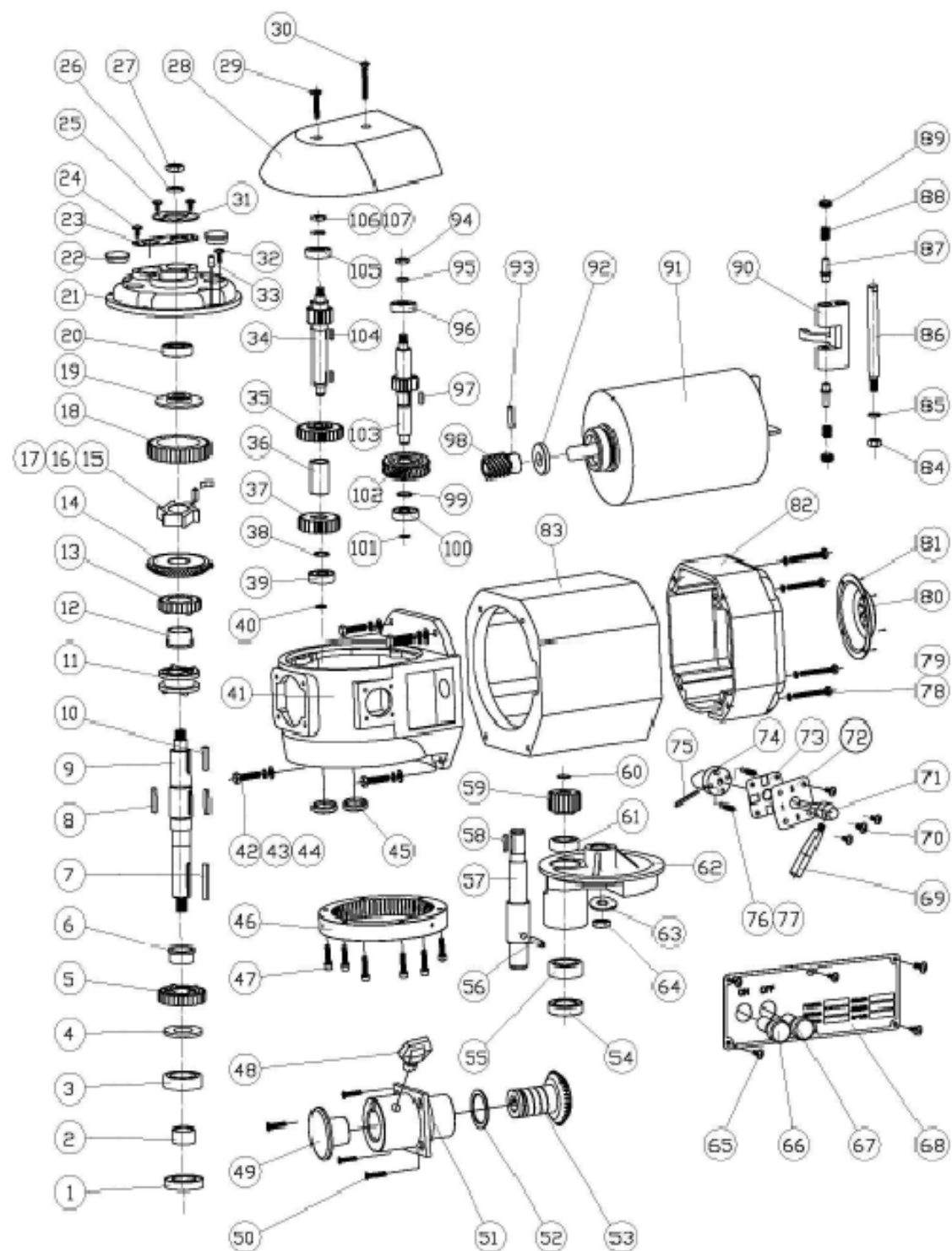
XV	DESC	MVP CODE	MVP CODE
	Safety grid components	01-P550	
1	Safety grid	01-P204	
2	Phillips screw M4*8	01-P546	
3	overtravel-limit switch stoppers	01-P195	
4	Magnet	01-P547	
5	Handles	01-P548	
6	Phillips screw M4*6	01-P490	





Mixer Head PM-20

XV	DESC	MVP CODE
1	Oil seal 30x52x10	01-P251
2	Bushing	01-P250
3	Bearing 6205	01-P249
4	Gasket	01-P248
5	Claw type gear wheel	01-P247
6	Bushing	01-P245
7	Flat key 6x45	01-P586
8	Flat key 5x32	01-P587
9	Main shaft	01-P228
10	Flat key 6x25	01-P588
11	Sleeve	01-P246
12	Bushing	01-P245
13	Gear	01-P244
14	Taper gear wheel	01-P219
15	Gear	01-P417
16	Roller	01-P418
17	Coil spring	01-P589
18	Super machine parts	01-P224
19	Spacer-lower	01-P241
20	Bearing6203	01-P128
21	Transmission shaft support	01-P239
22	Plug cover	01-P132
23	Pressing plate	01-P238
24	Phillips screw M5x10	01-P590
25	Phillips screw M5x10	01-P590
26	Flat washer Φ14	01-P280
27	Screw nut M14x1.5	01-P133
28	Top cover	01-P592
29	Phillips screw M6x30	01-P593
30	Phillips screw M6x40	01-P594
31	Pressing plate	01-P222
32	Phillips screw M5x16	01-P521
33	Cylindrical pin 5x16	01-P539
34	Mid-gear wheel	01-P257
35	Gear	01-P260
36	Bushing	01-P261
37	Gear	01-P262
38	Gear circlip 18	01-P164
39	Bearing 6201	01-P256
40	Gear circlip 12	01-P157
41	Gear box	01-P229
42	Bolt M8x30	01-P472/01-P541
43	Flat washer Φ8	01-P469
44	Spring washer Φ8	01-P136
45	Plug cover	01-P263
46	Internal gear	01-P230
47	Cylinder hexagon screw M6x25	01-P517
48	Peg handle	01-P115
49	Plug	01-P118
50	Phillips screw M6x16	01-P512





51	Attachment hub	01-P216
52	Ring	01-P218
53	Taper gear wheel 1	01-P243
54	Oil seal 28x47x10	01-P234
55	Bearing 6204	01-P110
56	Cylindrical pin 8x35	01-P236
57	Working shaft	01-P235
58	Flat key 5x22	01-P600
59	Gear	01-P231
60	Gear circlip 16	01-P601
61	Bearing6203	01-P128
62	Operating shalf	01-P232
63	Washer	01-P602
64	Screw nut M14x1.5	01-P133
65	Philips screw M4x6	01-P490
66	Green button	01-P181
67	Red button	01-P182
68	Brand	01-P268
69	Speed handle	01-P111
70	Philips screw M5x14	01-P604
71	Handle-shifter	01-P213
72	Block handle cover	01-P117
73	Plate-shifter index	01-P211
74	Cam-gear shifter	01-P210
75	Elastic cylindrical pin 4x30	01-P605
76	Spring	01-P528
77	Steel ball 6	01-P527
78	Bolt M6x65	01-P608
79	Spring washer Φ 6	01-P495
80	Back Cover	01-P275
81	Philips screw M4x6	01-P490
82	Back housing	01-P611
83	Motor box	01-P612
84	Nut M10	01-P178
85	Spring washer Φ 10	01-P154
86	Declutch shift shaft	01-P225
87	Pin shaft	01-P208
88	Spring	01-P207
89	Screw	01-P206
90	Shifting yoke	01-P209
91	Motor	01-P613
	Motor	01-P273
92	Oil seal 16x40x6	01-P265
93	Elastic cylindrical pin 6x30	01-P531
94	Screw nut M10x1	01-P153
95	Spring washer Φ 10	01-P154
96	Bearing 6201	01-P256
97	Flat key 5x14	01-P270
98	Worm wheel	01-P264
99	Gear circlip 18	01-P164
100	Bearing 6201	01-P256
101	Gear circlip 12	01-P157
102	Gear	01-P272
103	Shaft worm gear	01-P271
104	Flat key 4x14	01-P258
105	Bearing 6201	01-P256
106	Screw nut M10x1	01-P153
107	Spring washer Φ 10	01-P154