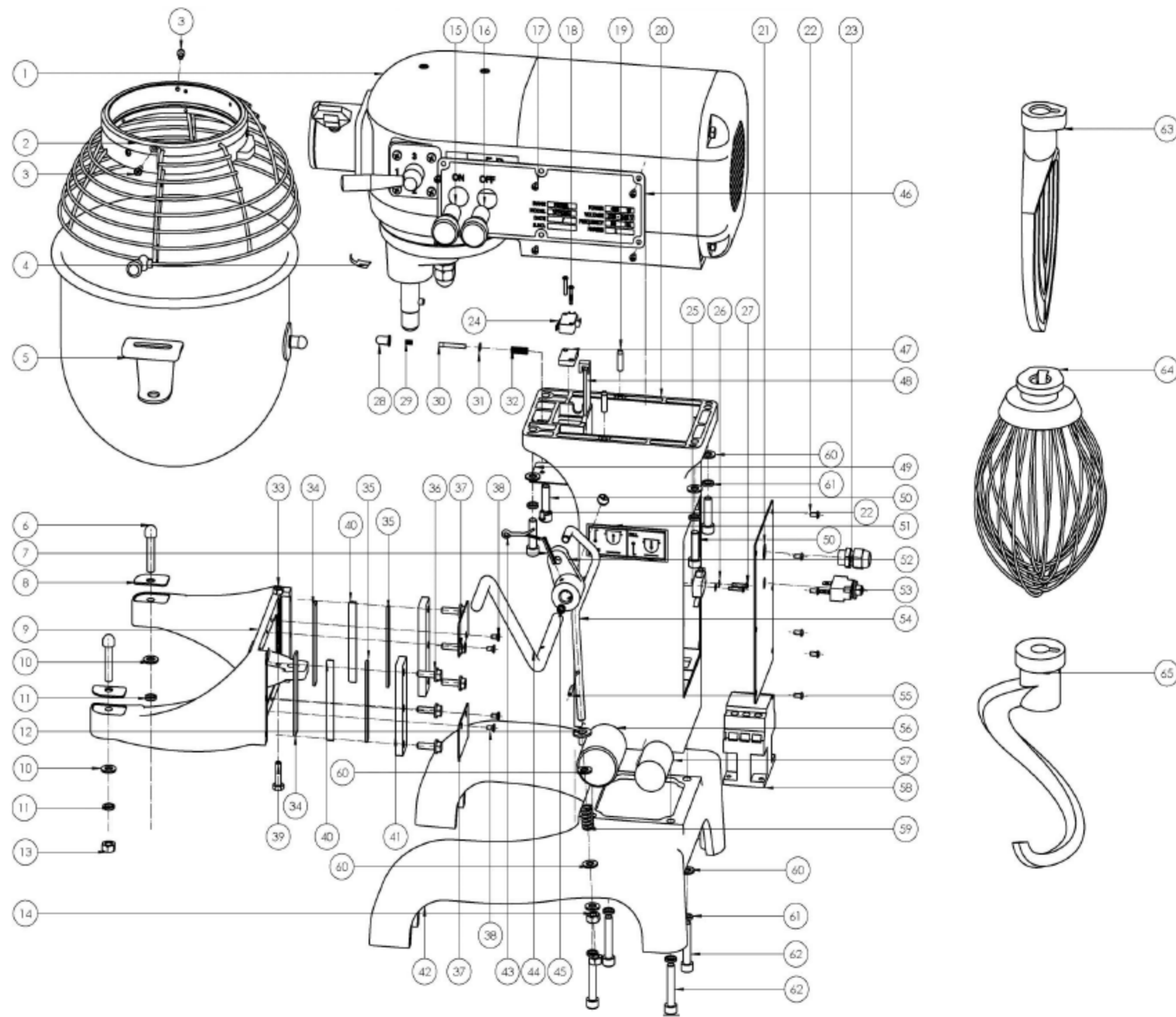




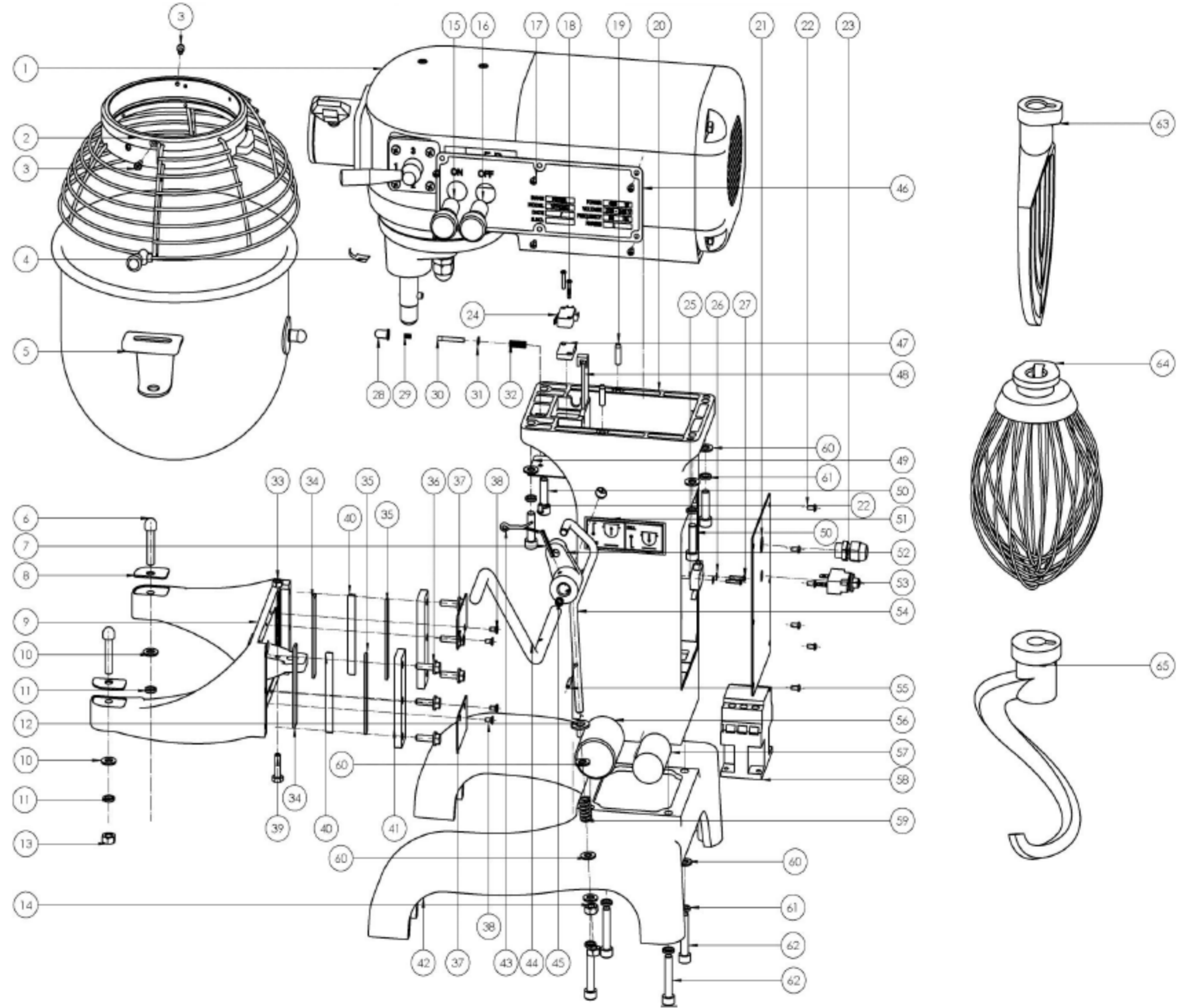
GENERAL ASSEMBLY PM-10

XV	DESC	MVP CODE
1	Mixer head exploded view	
2	Safety grid components	
3	Philips screw M4x12	01-P470
4	Steerin sticker	01-P478
5	Bowl	01-P130
6	Bowl locating pin	01-P716
7	Elastic cylindrical pin4x30	01-P605
8	Bracket plate	01-P720
9	Stand	01-P692
10	Stainless steel flat washer 8	01-P704
11	Stainless steel spring washer 8	01-P706
12	Flat washer 10	01-P177
13	Stainless steel nut M8	01-P697
14	Screw nut M8	01-P108
15	Start button	01-P181
16	Stop button	01-P182
17	Philips screw M4x6	01-P490
18	Philips screw M3x18	01-P699
19	Locating pins	01-P711
20	Column	01-P690
21	Back cover	01-P721
22	S.S. philips screw M4x8	01-P546
23	PG9 gland	01-P506
24	Short-pin micro switch	01-P295
25	Micro switch	01-P295
26	Flat washer 3	01-P703
27	Philips screw M3x16	01-P701





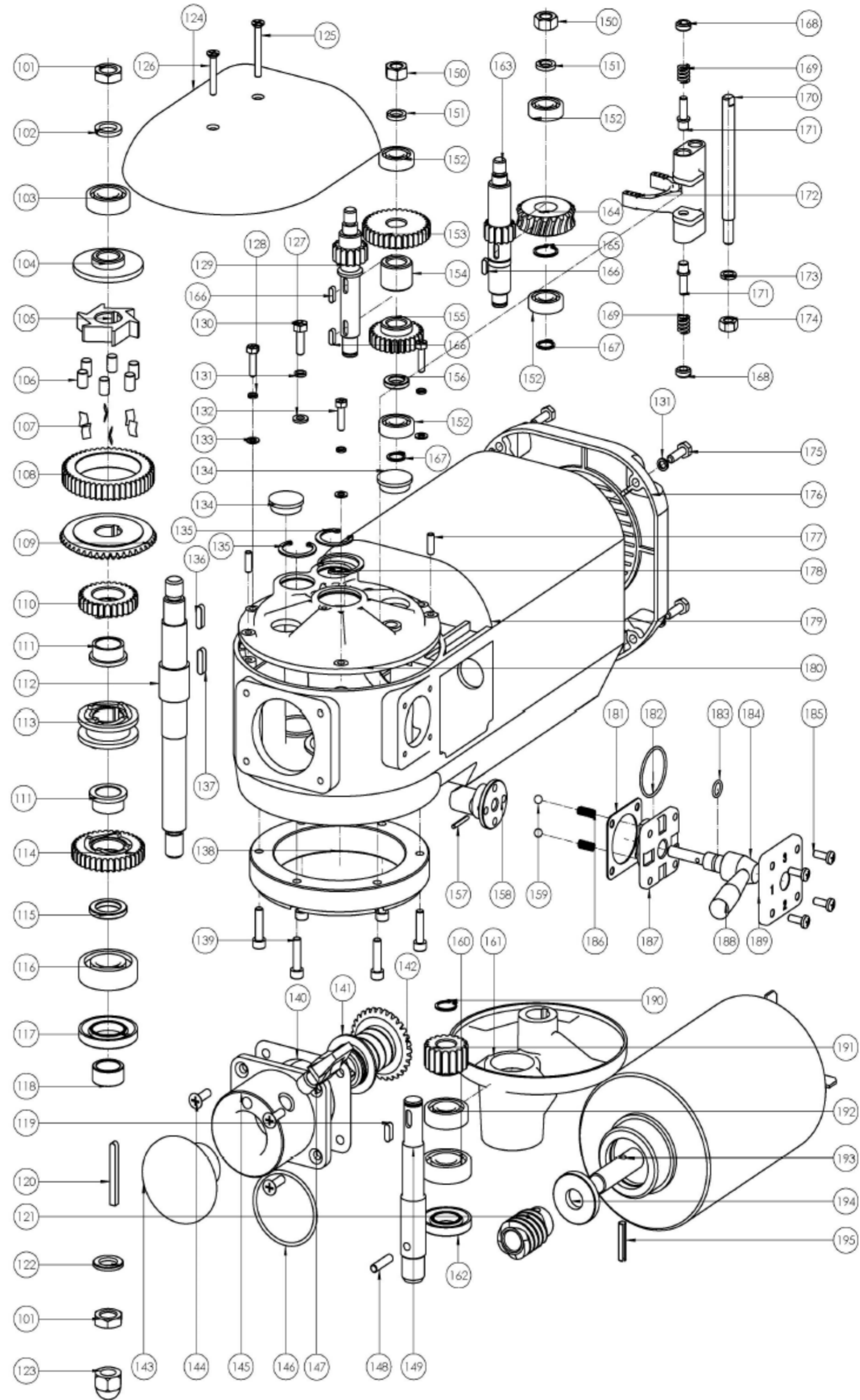
28	Trip lever	01-P712
29	Spring	01-P726
30	Striker	01-P714
31	Open ring 4	01-P707
32	Spring	01-P725
33	S.S. nut M6	01-P698
34	Hardband	01-P709
35	Hardband	01-P709
36	Flange philips screw	01-P700
37	Cover plate	01-P723
38	Philips screw M4x8	01-P569
39	S.S. screw nut M6x25	01-P695
40	Hardband	01-P709
41	Layering	01-P686
42	Base	01-P689
43	Cotter 3x25	01-P497
44	Lifting handle	01-P719
45	Spring	01-P473
46	Badge	01-P180
47	Plastic pad	01-P713
48	Shock pad	01-P722
49	Cover	01-P715
50	Cylinder hexagon screw M8x30	01-P582
51	Handle sticker	01-P710
52	Crank	01-P718
53	Overload relay	01-P192
54	Link	01-P717
55	Elastic cylindrical pin 3.5x20	01-P702
56	Operation capacitor	01-P194
57	Start capacitor	01-P193
58	AC contactor (220V)	01-P191
	AC contactor (110V)	01-P409
59	Spring	01-P727
60	Flat washer 8	01-P469
61	Spring washer 8	01-P136
62	Cylinder hexagon screw M8x45	01-P501
63	Beater	01-P106
64	Wire whipper	01-P101
65	Hook	01-P102





MIXER HEAD PM-10

XV	DESC	MVP CODE
101	Screw nut M14x1.5	01-P514
102	Spring washer 14	01-P138
103	Bearing 6003	01-P140
104	Main shaft cover	01-P141
105	Planetary gear	01-P401
106	Rolling cylindrical roller 8x12	01-P402
107	Coil spring	01-P183
108	Mechanical gear	01-P142
109	Bevel gear	01-P515
110	Top combination gear	01-P145
111	Copper sets	01-P146
112	Main shaft	01-P516
113	Claw clutches	01-P147
114	Bottom combination gear	01-P137
115	Bush	01-P109
116	Bearing 6204	01-P110
117	Skeleton oil seal 25x47x7	01-P114
118	Bush	01-P113
119	Flat key 5x14	01-P270
120	Flat key 5x50 (C type)	01-P708
121	Worm	01-P169
122	Small washer A-class 14	01-P705
123	Cap nut M14x1.5	01-P696
124	Cover	01-P682
125	Phillips screw M5x40	01-P520
126	Phillips screw M5x30	01-P519
127	Flat washer 6	01-P474
128	Spring washer 5	01-P484
129	Central gear	01-P155
130	Phillips screw M6x20	01-P694
131	Spring washer 6	01-P495
132	Phillips screw M5x20	01-P693
133	Flat washer 5	01-P485
134	Support cover	01-P132
135	Hole circlip 28	01-P522
136	Flat key 5x18	01-P523
137	Flat key 5x20	01-P524
138	Inner gear	01-P681
139	Cylinder hexagon screw M6x25	01-P517
140	Pad	01-P542
141	Collar	01-P530
142	Bevel gear	01-P121
143	Bulkhead	01-P684
144	Phillips screw M6x16	01-P512
145	Mounts	01-P691
146	Rubber O-ring 53x2.65G	01-P733
147	Peg handle	01-P724
148	Cylindrical pin 6x25	01-P152
149	Rack rachis	01-P127
150	Screw nut M10x1	01-P153
151	Spring washer 10	01-P154
152	Bearing 6001	01-P162
153	Gear	01-P158
154	Bush	01-P159
155	Pinion gear	01-P160
156	Axis bushing	01-P161
157	Elastic cylindrical pin 3x22	01-P732
158	Eccentric seat	01-P735
159	Steel ball 6	01-P527



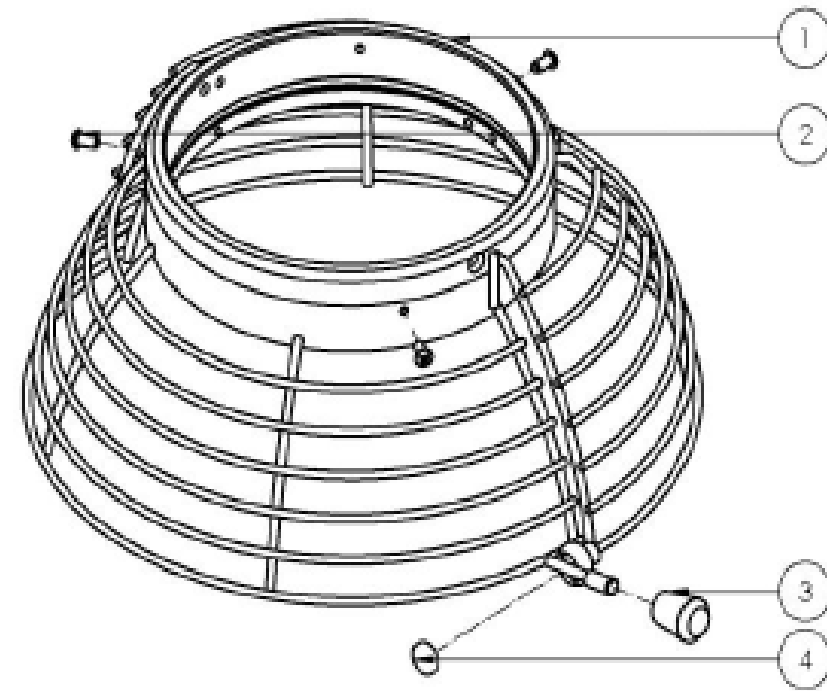


160	Bearing 6203	01-P128
161	Operation shelf	01-P688
162	Skeleton oil seal 20x40x7	01-P129
163	Worm shaft	01-P163
164	Worm	01-P165
165	Gear circlip 18	01-P164
166	Flat key 4x12	01-P156
167	Gear circlip 12	01-P157
168	Adjusting screw	01-P134
169	Spring	01-P103
170	Fork shaft	01-P135
171	Pin	01-P104
172	Fork	01-P730
173	Spring washer 8	01-P136
174	Screw nut M8	01-P108
175	Bolt M6x20	01-P731
176	Back cover	01-P683
177	Cylindrical pin 5x16	01-P539
178	Hole circlip 35	01-P536
179	Gear box	01-P687
180	Support cover	01-P729
181	Pad	01-P542
182	Rubber O-ring 33.5x1.8G	01-P734
183	Rubber O-ring 53x2.65G	01-P733
184	Handle shaft	01-P112
185	Philips screw M5x14	01-P604
186	Spring	01-P528
187	Handle seat	01-P116
188	Shift level	01-P111
189	Handle seat cover	01-P117
190	Gear circlip 15	01-P380
191	Planetary gear	01-P123
192	Bearing 6202	01-P124
193	Motor	01-P532
194	Oil seal 16x40x6	01-P265
195	Elastic cylindrical pin 6x30	01-P531



SAFETY GRID PM-10

XV	DESC	MVP CODE
1	Turn grid	01-P685
2	Philips screw	01-P490
3	Bakelite ball	01-P548
4	Magnet	01-P547





QUICK WEAR PM-10

XV	DESC	MVP CODE
17	Start button	01-P181
18	Stop button	01-P182
20	Micro switch	01-P295
43	Start capacitor	01-P193
	Start capacitor	01-P414
41	Operation capacitor	01-P194
	Operation capacitor	01-P416
58	Overload relay	01-P192
	Overload relay	01-P297
69		01-P101
68	Beater	01-P106
70	Hook	01-P102



ELECTRICAL PM-10

XV	DESC	MVP CODE
1	Motor	01-P144
2	Micro switch	01-P295
	AC contactor	01-P409
4	Start button	01-P181
5	Stop button	01-P182
	Overload relay	01-P297
	Start capacitor	01-P414
	Operation capacitor	01-P416
9	Power cord	01-P728
	Power cord	01-P407