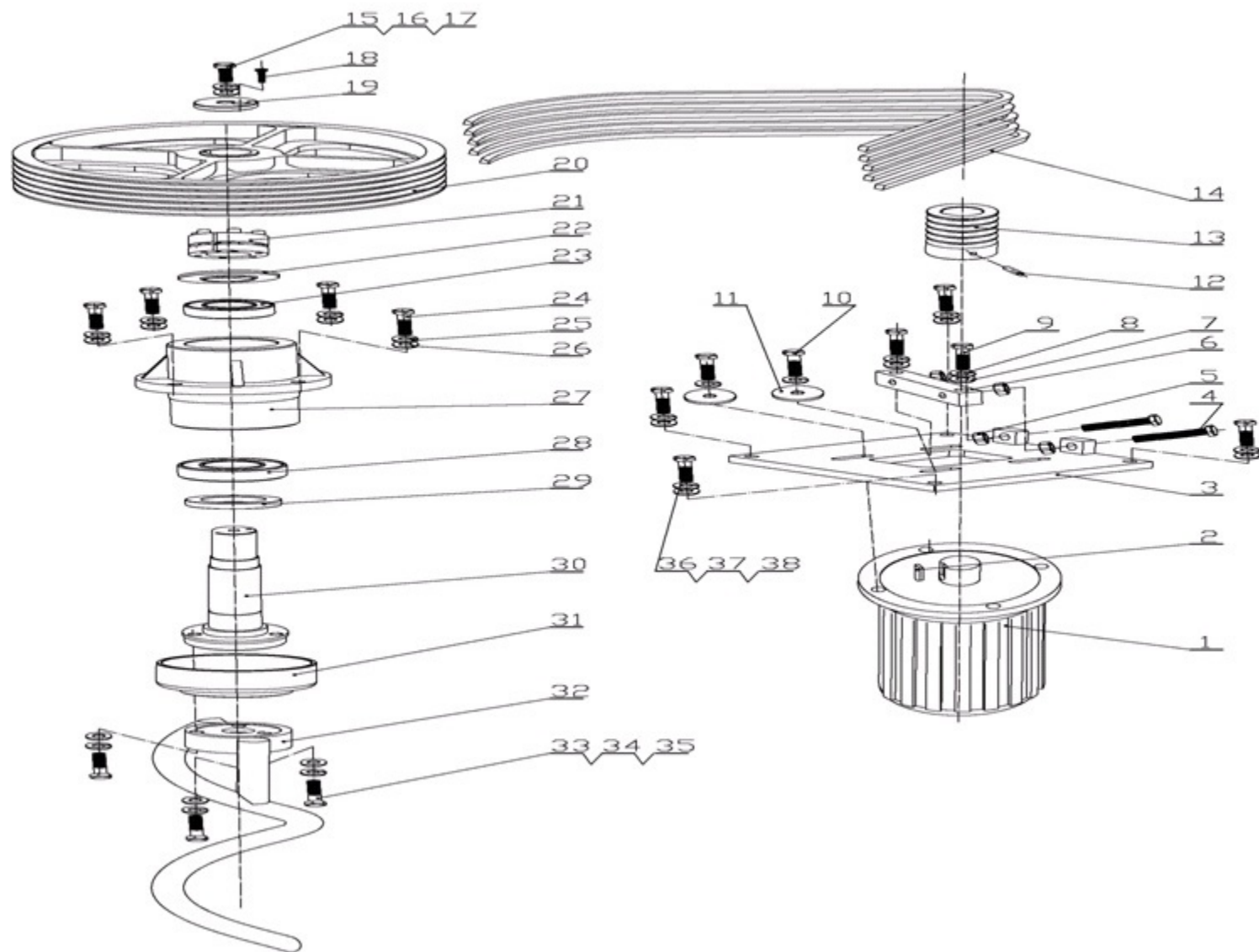
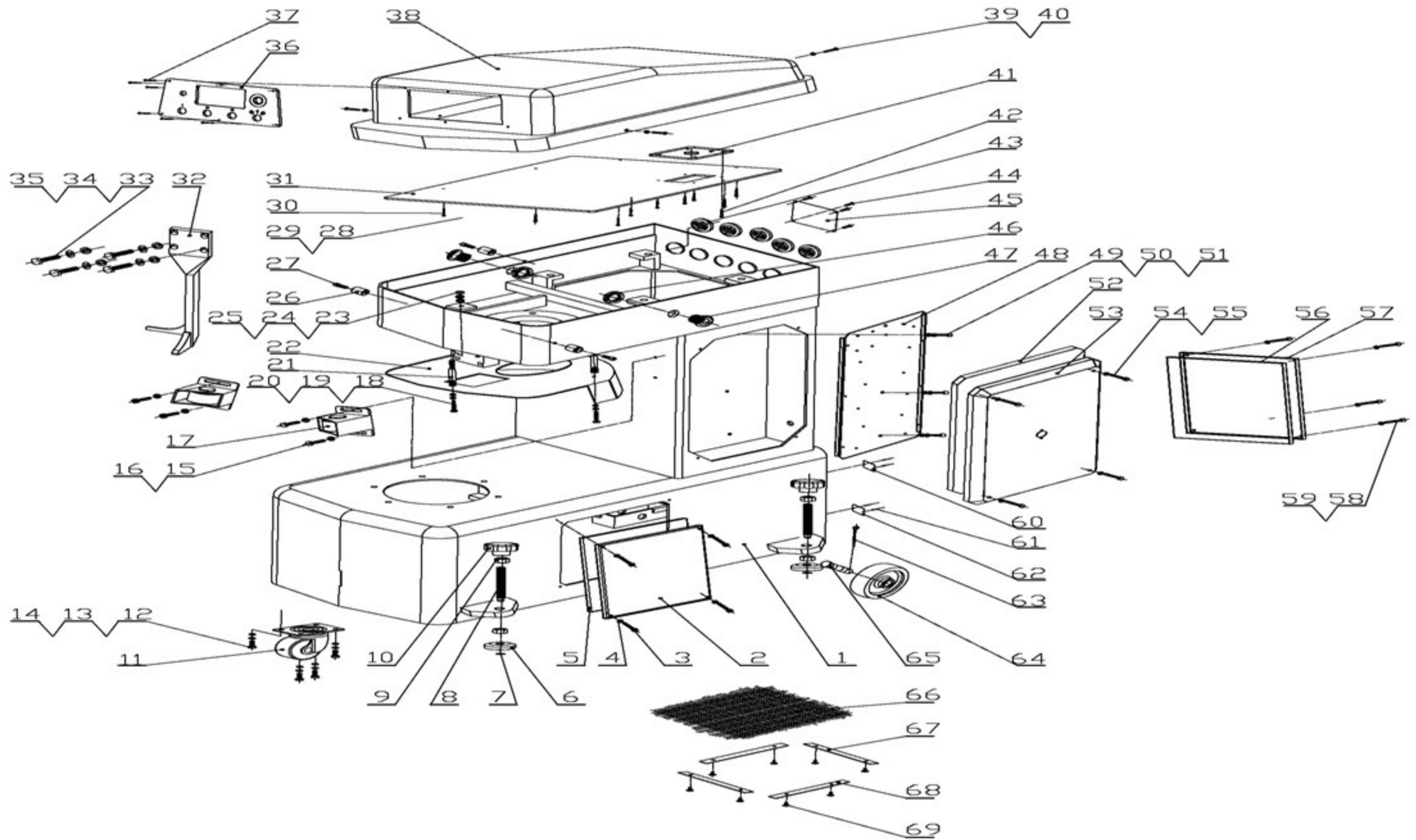


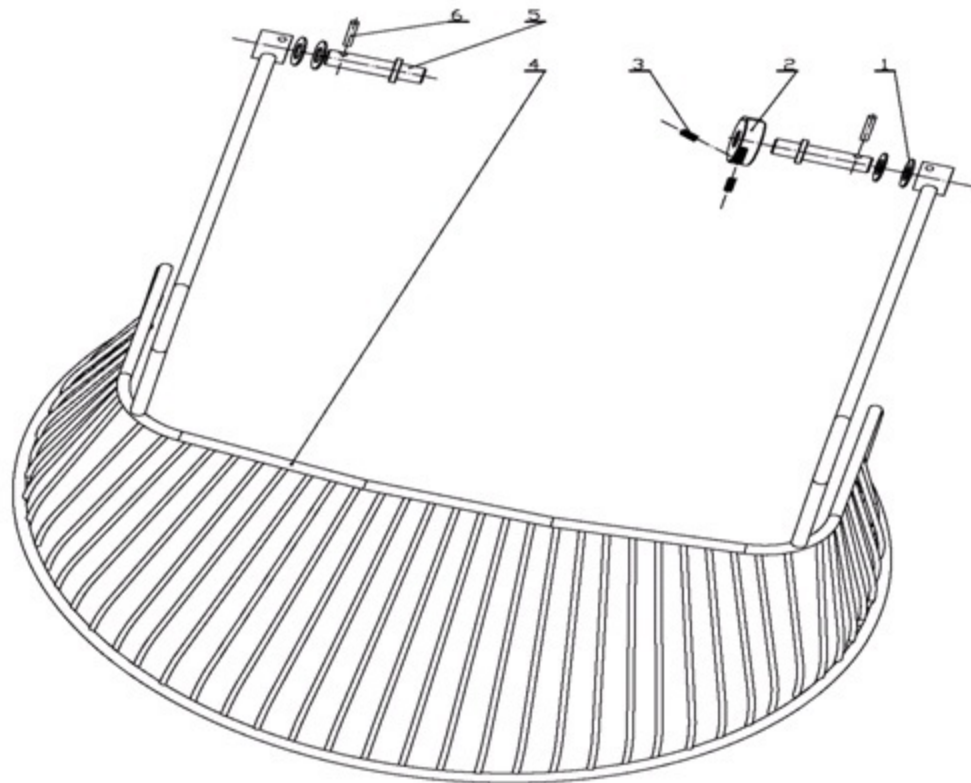
PSM80 - ROTARY PARTS



PSM80 - BODY PARTS



PSM80 - PROTECTIVE COVER PARTS



Rotary Assembly of Spiral Hook

Item #	Part #	DESCRIPTION
1	01PSM1293	#50501073 MOTOR 380V/50HZ
1	01PSM1289	#50501064 MOTOR 400V/50HZ
1	01PSM1294	#50501076 MOTOR 415V/50HZ
1	01PSM1295	#50501077 MOTOR 220V/60HZ
1	01PSM1296	#50501078 MOTOR 380V/60HZ
1	01PSM1316	#50501152 MOTOR 220V/50HZ
2	01PSM1362	#50313075 FLAT KEY 10
3	01PSM1272	#50405361 SETTING BOARD FOR MOTOR
4	01PSM1160	#50303050 BOLTS M12X120
5	01P374	#50304007 #74 NUT
6	01PSM1054	#41500400 ADJUST SEAT
7	01P391	#50307007 #91 SPACER
8	01P375	#50308007 #75 SPRING WASHERS
9	01PSM1158	#50303047 HEX BOLT M12X55
10	01PSM1155	#50303043 HEX BOLT M12X55
11	01PSM1218	#50307018 CLAMP PLATE F12
12	01PSM1199	#50305074 SOCKET HEAD CAP SCREWS M8X16
13	01PSM1055	#41500500 MOTOR BELT WHEEL FOR 50HZ
13	01PSM1087	#41506500 HALF-AXIS BELT WHEEL FOR 60HZ
14	01PSM1138	#50302024 BELT XPZ1487 FOR 50HZ
14	01PSM1142	#50302045 BELT 13PL1575 FOR 60HZ
15	01PSM1155	#50303043 HEX BOLT M12X55
16	01P391	#50307007 #91 SPACER
17	01P375	#50308007 #75 SPRING WASHERS
18	01PSM1175	#50303082 SOCKET HEAD CAP SCREW M6X30
19	01PSM1056	#41500600 SHAFT COVER
20	01PSM1057	#41500700 MAIN SHAFT BELT WHEEL
20	01PSM1088	#41506600 MAIN SHAFT HALF-AXIS BELT WHEEL
21	01PSM1241	#50399020 CONNECTING SET 35X60

22	01PSM1071	#41503400 CLAMP PLATE
23	01PSM1123	#50301011 BEARING 6209
24	01P630	#50303042 Hex bolts M12x30
25	01P391	#50307007 #91 SPACER
26	01P375	#50308007 #75 SPRING WASHERS
27	01PSM1058	#41500800 MAIN SHAFT SEAT
28	01PSM1126	#50301020 BEARING 33210
29	01PSM1059	#41500900 CLAMP PLATE 60/88X10
30	01PSM1060	#41501000 MAIN SHAFT
31	01PSM1092	#41509800 DECORATIVE COVER
32	01P801	#41501200 #32 HOOK FOR PSM-80
33	01PSM1172	#50303075 S.S. HEX BOLT M12X50
34	01PSM1216	#50307016 S.S. FLAT PAD F12
35	01PSM1224	#50308015 S.S. SPRING WASHER F12
36	01P630	#50303042 Hex bolts M12x30
37	01P391	#50307007 #91 SPACER
38	01P375	#50308007 #75 SPRING WASHERS

Rotary Assembly of Spiral Bowl

1	01P562	#50303085 Cylinder hexagon screw M8x20
2	01P108	#50304005 #8 NUT
3	01PSM1061	#41501700 PIN SETS
4	01PSM1062	#41501800 SPINDLE FOR MOTOR
5	01PSM1275	#50405364 MOTOR INSTALL SEAT
6	01PSM1151	#50303031 HEX BOLT M10X30
7	01PSM1185	#50304030 NUT M10
8	01PSM1254	#50405039 PLATE
9	01PSM1063	#41502300 SHORT STEM
10	01PSM1064	#41502400 LONG STEM
11	01PSM1259	#50405104 STEM SUPPORT
12	01PSM1365	#50313077 FLAT KEY 6X40

13	01PSM1292	#50501071 MOTOR 0.55KW 380V/50HZ B3
13	01PSM1291	#50501069 MOTOR 0.55KW 400V/50HZ B3
13	01PSM1297	#50501080 MOTOR 0.55KW 220V/60HZ B3
13	01PSM1300	#50501086 MOTOR 0.55KW 415V/50HZ B3
13	01PSM1301	#50501096 MOTOR 0.55KW 380V/60HZ B3
13	01PSM1317	#50501153 MOTOR 0.55KW 220V/50HZ B3
14	01PSM1065	#41502800 BELT WHEEL OF BOWL MOTER
15	01PSM1199	#50305074 SOCKET HEAD CAP SCREWS M8X16
16	01PSM1135	#50302020 BELT SPZ1462
17	01PSM1155	#50303043 HEX BOLT M12X55
18	01P375	#50308007 #75 SPRING WASHERS
19	01P391	#50307007 #91 SPACER
20	01PSM1066	#41502900 SHAFT COVER
21	01PSM1136	#50302022 BELT SPZ1525
22	01PSM1055	#41500500 MOTOR BELT WHEEL FOR 50HZ
23	01PSM1231	#50312020 SHAFT RING 40
24	01P184	#50301010 BEARING 6208
25	01PSM1067	#41503000 DRIVER SHAFT BEARING SEAT
26	01P184	#50301010 BEARING 6208
27	01PSM1234	#50313039 FLAT KEY A10X50
28	01PSM1068	#41503100 DRIVER SHAFT
29	01PSM1241	#50399020 CONNECTING SET 35X60
30	01PSM1069	#41503200 BIG BELT WHEEL OF SHAFT
31	01P178	#50304006 #78 NUT
32	01P154	#50308006 #54 SPRING WASHER
33	01P177	#50307006 #77 SPACER
34	01PSM1056	#41500600 SHAFT COVER
35	01P375	#50308007 #75 SPRING WASHERS
36	01PSM1156	#50303044 HEX BOLT M12X40
37	01PSM1175	#50303082 SOCKET HEAD CAP SCREW M6X30
38	01PSM1070	#41503300 CLAMP PLATE
39	01PSM1150	#50303029 HEX BOLT M10X20
40	01PSM1217	#50307017 LARGE WASHER F10 C CLASS

41	01PSM1072	#41503500 SHAFT SEAT AXIS
42	01PSM1057	#41500700 MAIN SHAFT BELT WHEEL
43	01PSM1183	#50304013 NUT M20
44	01P630	#50303042 Hex bolts M12x30
45	01PSM1175	#50303082 SOCKET HEAD CAP SCREW M6X30
46	01PSM1071	#41503400 CLAMP PLATE
47	01PSM1123	#50301011 BEARING 6209
48	01PSM1073	#41503600 BOWL SHAFT SEAT
49	01PSM1216	#50307016 S.S. FLAT PAD F12
50	01PSM1224	#50308015 S.S. SPRING WASHER F12
51	01PSM1171	#50303074 S.S. HEX BOLT M12X40
52	01PSM1126	#50301020 BEARING 33210
53	01PSM1059	#41500900 CLAMP PLATE 60/88X10
54	01PSM1074	#41503700 BOWL SHAFT SEAT
55	01PSM1170	#50303073 S.S. HEX BOLT M12X35
56	01PSM1224	#50308015 S.S. SPRING WASHER F12
57	01PSM1216	#50307016 S.S. FLAT PAD F12
58	01PSM1245	#50401015 BOWL

Body Assembly

1	01PSM1090	#41507509 CHASSIS SUNBASSEMBLY
2	01PSM1261	#50405111 VIEW SETTING BOARD
3	01PSM1161	#50303060 S.S. HEX BOLT M5X20
4	01PSM1213	#50307012 S.S. FLAT PAD F5
5	01PSM1242	#50399021 SEALING TAPE
6	01PSM1043	#41303800 ADJUST FEET SUPPPORT COVER
7	01P157	#50312002 #57 CIRCLIPS FOR SHAFT
8	01PSM1044	#41303900 ADJUST FEET SUPPPORT STEM
9	01PSM1187	#50304039 NUT M16
10	01PSM1283	#50405512 HANDLE M16
11	01PSM1244	#50399026 INDUSTRIAL WHEELS 75
12	01PSM1150	#50303029 HEX BOLT M10X20

13	01P154	#50308006 #54 SPRING WASHER
14	01P177	#50307006 #77 SPACER
15	01PSM1164	#50303065 S.S. HEX BOLT M8X16
16	01P704	#50307014 STAINLESS STEEL FLAT WASHER 8
17	01PSM1371	#BLOCK WHEEL SUBASSEMBLY PSM80
17	01PSM1278	#50405368 BLOCK WHEEL SEAT
17	01PSM1075	#41504200 BLOCK WHEEL BOLT
17	01PSM1076	#41504300 BLOCK WHEEL SHAFT
17	01PSM1270	#50405208 BLOCK WHEEL BODY
17	01P124	#50301004 #24 BEARING
18	01PSM1195	#50305038 S.S. PHILIPS SCREW M6X10
19	01PSM1214	#50307013 BOM??
20	01PSM1222	#50308012 BOM??
21	01PSM1077	#41504500 SCREW
22	01PSM1089	#41507100 BACK PROTECT GUARD
23	01P108	#50304005 #8 NUT
24	01P469	#50307005 FLAT WASHER N8
25	01P136	#50308005 #36 SPRING WASHER
26	01PSM1078	#41504600 PIN SETS
27	01PSM1179	#50303108 S.S. SOCKET HEAD CAP SCREW M8X25
28	01PSM1189	#50305007 PHILIPS SCREW M4X10
29	01P509	#50307002 Flat washer 4
30	01PSM1201	#50305081 PHILIPS SCREW ST4.2X16
31	01PSM1079	#41504700 COVER BOARD
32	01PSM1080	#41504900 FIXED BLOCK SHAFT
33	01PSM1169	#50303072 S.S. HEX BOLT M12X30
34	01PSM1216	#50307016 S.S. FLAT PAD F12
35	01PSM1224	#50308015 S.S. SPRING WASHER F12
36	01PSM1250	#50402054 BUTTON ELECTRONIC CONTROL PANEL
37	01PSM1205	#50305113 S.S. PHILIPS SCREW ST4.2X19
38	01PSM1091	#41509700 COVER
39	01PSM1193	#50305031 S.S. PHILIPS SCREW M4X20
40	01PSM1257	#50405100 NYLON FLAT PAD F4

41	01PSM1083	#41505700 WIRE FIXED BOARD
42	01PSM1201	#50305081 PHILIPS SCREW ST4.2X16
43	01PSM1256	#50405055 HOLE COVER
44	01P490	#50305027 Philips screw M4x6
45	01PSM1251	#50402068 BRAND
46	01PSM1186	#50304035 NUT M25X1.5
47	01PSM1081	#41505300 FIXED PIN SETS
48	01PSM1262	#50405115 ELECTRICAL INSTALLATION
49	01P649	#50305023 Philips screw M6x20
50	01P474	#50307004 Flat washer 6
51	01P495	#50308004 Spring washer 6
52	01PSM1242	#50399021 SEALING TAPE
53	01PSM1260	#50405110 ELECTRONIC CONTROL PANEL
54	01PSM1163	#50303064 S.S. HEX BOLT M5X50
55	01PSM1213	#50307012 S.S. FLAT PAD F5
56	01PSM1242	#50399021 SEALING TAPE
57	01PSM1261	#50405111 VIEW SETTING BOARD
58	01PSM1161	#50303060 S.S. HEX BOLT M5X20
59	01PSM1213	#50307012 S.S. FLAT PAD F5
60	01PSM1252	#50402101 MARK
61	01PSM1226	#50309002 BLIND RIVETS ?3.7*9
62	01PSM1253	#50402102 MARK
63	01PSM1209	#50306044 PIN 4X50
64	01PSM1238	#50399013 INDUSTRIAL WHEELS
65	01PSM1082	#41505500 WHEEL SHAFT
66	01PSM1121	#50199033 S.S. WIRE MESH
67	01PSM1281	#50405376 RODENT NETWORK LAYERING
68	01PSM1282	#50405377 RODENT NETWORK LAYERING
69	01P543	#50305035 GB 818 -85

Cover Assembly

1	01PSM1263	#50405124 PLATE
---	-----------	-----------------

2	01PSM1084	#41506000 SWITCH BLOCK WHEEL
3	01PSM1196	#50305069 SWITCH BLOCK WHEEL M6X16
4	01PSM1086	#41506400 FRONT PROTECT GUARD
5	01PSM1085	#41506200 PIN
6	01PSM1210	#50306053 PIN 4X30

Electrical Components

1	01PSM1338	#50506012 BUTTON ZB2BZ105C
2	01P385	#50506006 #85a EMERGENCY BUTTON PM30 (COMING WITH 50506011)
3	01PSM1333	#50506001 BUTTON ZB2BA3C
4	01PSM1335	#50506003 BUTTON ZB2BE101C
5	01PSM1323	#50502004 TRANSPARENT GUARD ZBPA
6	01PSM1333	#50506001 BUTTON ZB2BA3C
7	01PSM1338	#50506012 BUTTON ZB2BZ105C
8	01PSM1323	#50502004 TRANSPARENT GUARD ZBPA
9	01PSM1333	#50506001 BUTTON ZB2BA3C
10	01PSM1335	#50506003 BUTTON ZB2BE101C
11	01PSM1335	#50506003 BUTTON ZB2BE101C
12	01PSM1337	#50506007 BUTTON ZB2BZ103C
13	01PSM1323	#50502004 TRANSPARENT GUARD ZBPA
14	01PSM1334	#50506002 BUTTON ZB2BD3C
15	01PSM1337	#50506007 BUTTON ZB2BZ103C
16	01PSM1335	#50506003 BUTTON ZB2BE101C
17	01PSM1335	#50506003 BUTTON ZB2BE101C
18	01PSM1339	#50506015 POWER LED XB6EAV1BC
19	01PSM1332	#50504004 TIMER
20	01PSM1354	#50512027 HEAVY DUTY CONNECTOR
21	01PSM1340	#50506045 SWITCH
22	01PSM1341	#50506046 LOAD SWITCH V1
23	01PSM1342	#50506047 KCF1PZ

24	01PSM1343	#50506048 VZN17
25	01PSM1344	#50506049 KZ32
26	01PSM1349	#50507013 TRANSFORMER
27	01PSM1321	#50502001 CONTACTOR D12B7C
28	01PSM1322	#50502002 CONTACTOR D09B7C
29	01PSM1326	#50503002 CIRCUIT BREAKER GV2-ME16C
30	01PSM1327	#50503003 CONTACT AN11
31	01PSM1328	#50503004 CIRCUIT BREAKER GV2-ME07C
32	01PSM1351	#50509003 FUSE 2A
33	01PSM1350	#50509002 FUSE 10A
34	01PSM1352	#50509004 FUSE SEAT