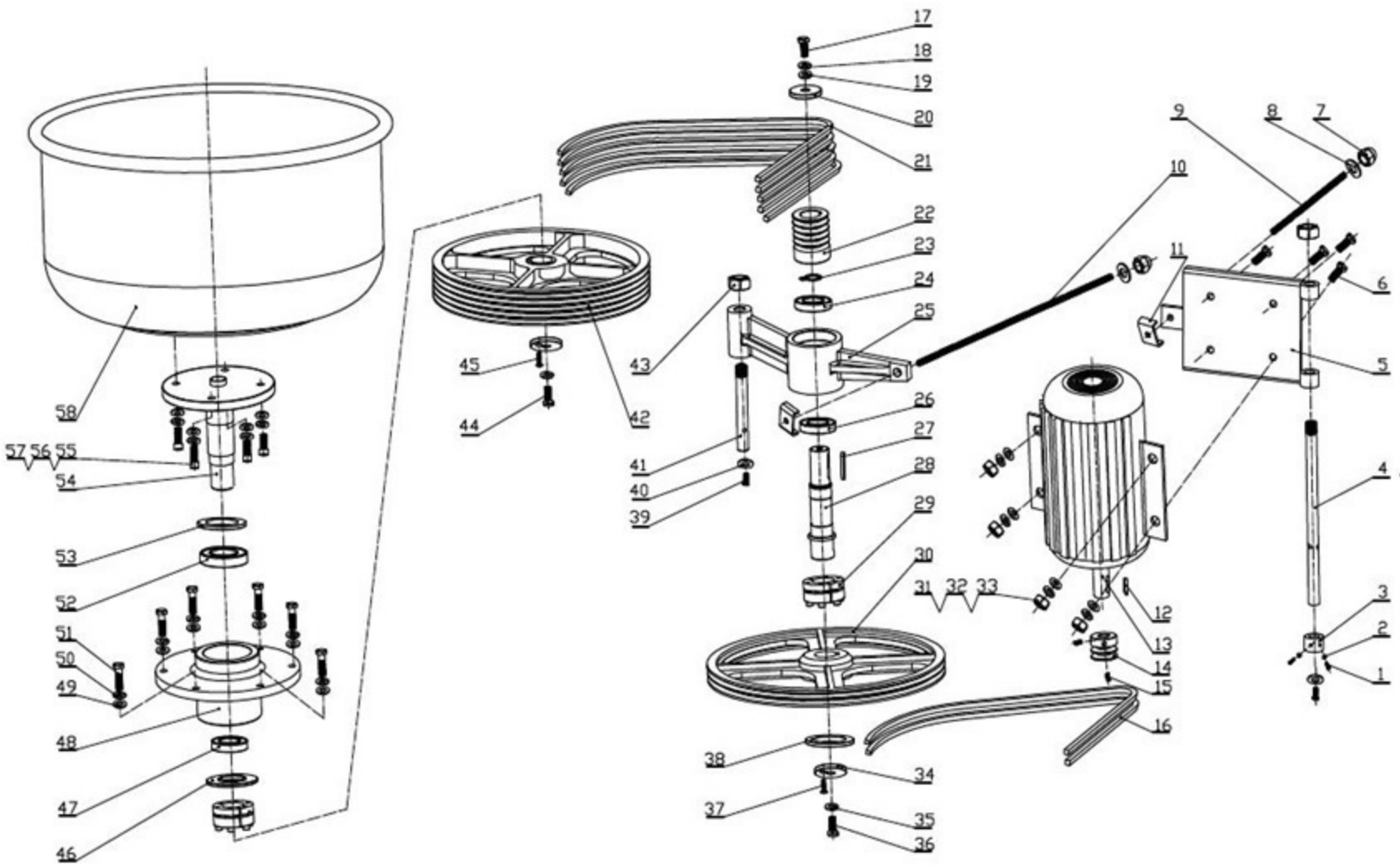
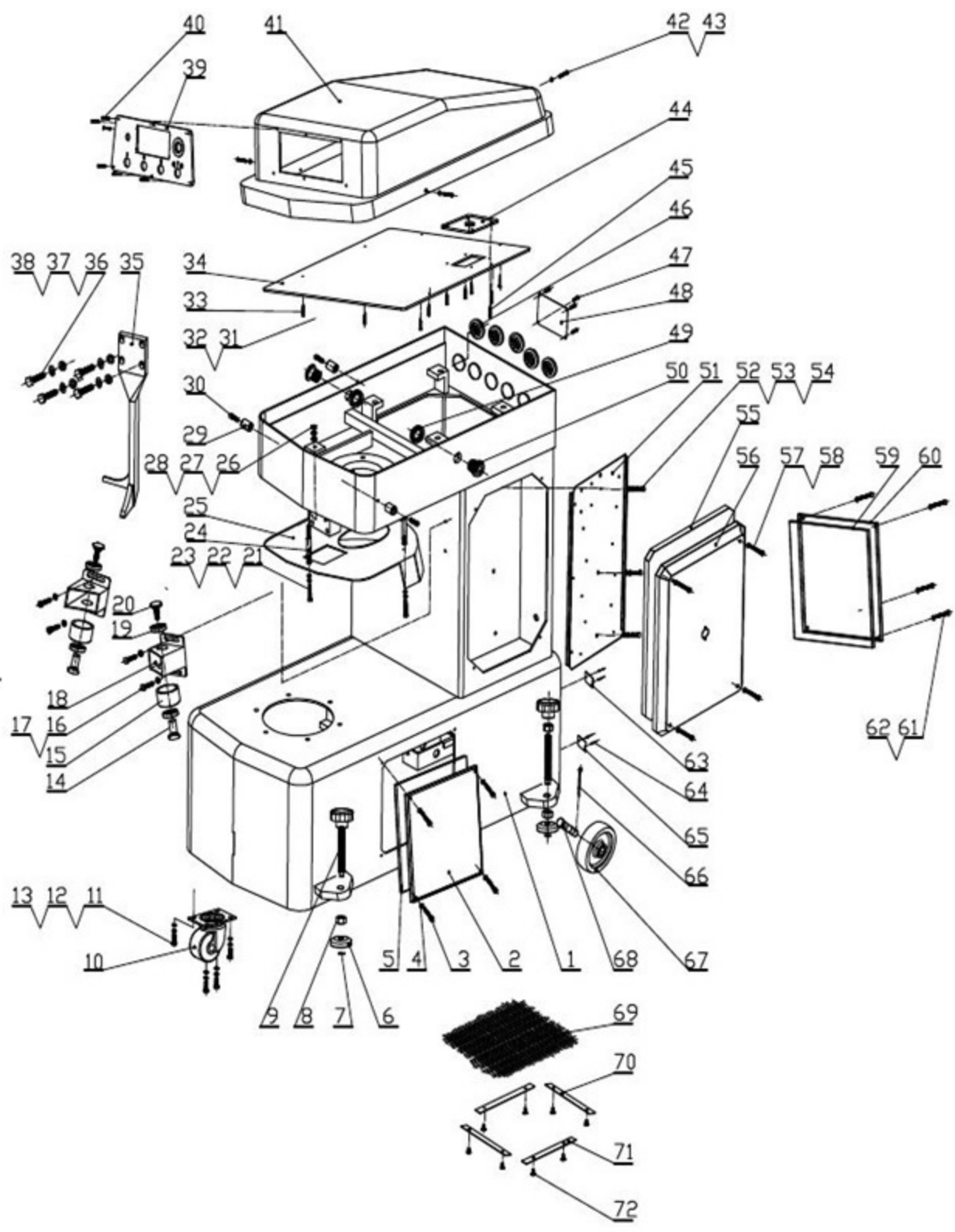


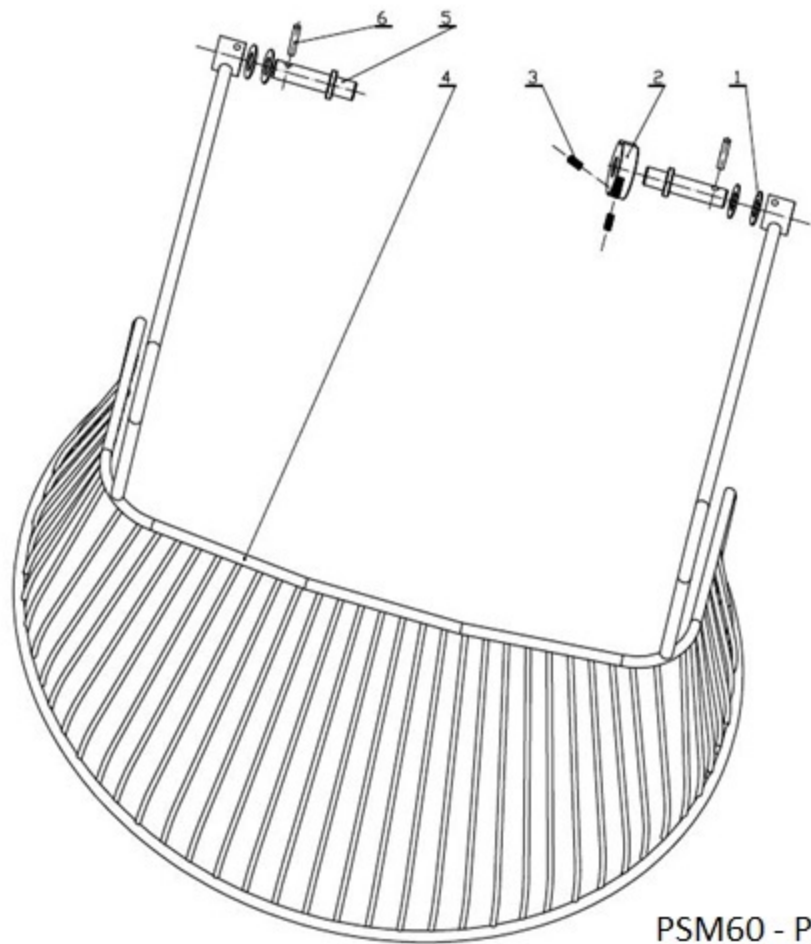
PSM 60 - ROTARY ASS'Y OF SPIRAL HOOK



PSM60 - ROTARY ASSY OF SPIRAL BOWL



PSM60 - BODY ASS'Y



PSM60 - PROTECTIVE COVER ASS'Y

## Rotary Assembly of Spiral Hook

Item #	Part #	Description	
1	01PSM1373	#50501191 MOTOR 220V/60HZ (ETL)	220V/60HZ(ETL)
2	01PSM1362	#50313075 FLAT KEY 10	
3	01PSM1272	#50405361 SETTING BOARD FOR MOTOR	
4	01PSM1160	#50303050 BOLTSM12X120	
5	01P374	#50304007 #74 NUT	
6	01PSM1054	#41500400 ADJUST SEAT	
7	01P391	#50307007 #91 SPACER	
8	01P375	#50308007 #75 SPRING WASHERS	
9	01PSM1158	#50303047 HEX BOLT M12X55	
10	01PSM1155	#50303043 HEX BOLT M12X55	
11	01PSM1218	#50307018 CLAMP PLATE F12	
12	01PSM1199	#50305074 SOCKET HEAD CAP SCREWS M8X16	
13	01PSM1087	#41506500 HALF-AXIS BELT WHEEL FOR 60HZ	
14	01PSM1374	#50302076 BELT 13PL1613	
15	01PSM1155	#50303043 HEX BOLT M12X55	
16	01P391	#50307007 #91 SPACER	
17	01P375	#50308007 #75 SPRING WASHERS	
18	01PSM1175	#50303082 SOCKET HEAD CAP SCREW M6X30	
19	01PSM1056	#41500600 SHAFT COVER	
20	01PSM1088	#41506600 MAIN SHAFT HALF-AXIS BELT WHEEL	
21	01PSM1241	#50399020 CONNECTING SET 35X60	
22	01PSM1071	#41503400 CLAMP PLATE	
23	01PSM1123	#50301011 BEARING 6209	
24	01P630	#50303042 Hex bolts M12x30	
25	01P391	#50307007 #91 SPACER	
26	01P375	#50308007 #75 SPRING WASHERS	

27	01PSM1058	#41500800 MAIN SHAFT SEAT	
28	01PSM1126	#50301020 BEARING 33210	
29	01PSM1059	#41500900 CLAMP PLATE 60/88X10	
30	01PSM1060	#41501000 MAIN SHAFT	
31	01PSM1092	#41509800 DECORATIVE COVER	
32	01P801	#41501200 #32 HOOK FOR PSM-80	
33	01PSM1172	#50303075 S.S. HEX BOLT M12X50	
34	01PSM1216	#50307016 S.S. FLAT PAD F12	
35	01PSM1224	#50308015 S.S. SPRING WASHER F12	
36	01P630	#50303042 Hex bolts M12x30	
37	01P391	#50307007 #91 SPACER	
38	01P375	#50308007 #75 SPRING WASHERS	

### Rotary Assembly of Spiral Bowl

1	01P562	#50303085 Cylinder hexagon screw M8x20	GB/T70.1-2000
2	01P108	#50304005 #8 NUT	GB/T6170-2000
3	01PSM1061	#41501700 PIN SETS	
4	01PSM1062	#41501800 SPINDLE FOR MOTOR	
5	01PSM1275	#50405364 MOTOR INSTALL SEAT	
6	01PSM1151	#50303031 HEX BOLT M10X30	
7	01PSM1185	#50304030 NUT M10	
8	01PSM1254	#50405039 PLATE	
9	01PSM1063	#41502300 SHORT STEM	
10	01PSM1064	#41502400 LONG STEM	
11	01PSM1259	#50405104 STEM SUPPORT	
12	01PSM1365	#50313077 FLAT KEY 6X40	
13	01PSM1375	#50501162 MOTOR	
14	01PSM1065	#41502800 BELT WHEEL OF BOWL MOTER	
15	01PSM1199	#50305074 SOCKET HEAD CAP SCREWS M8X16	

16	01PSM1135	#50302020 BELT SPZ1462	
17	01PSM1155	#50303043 HEX BOLT M12X55	
18	01P375	#50308007 #75 SPRING WASHERS	
19	01P391	#50307007 #91 SPACER	
20	01PSM1066	#41502900 SHAFT COVER	
21	01PSM1136	#50302022 BELT SPZ1525	
22	01PSM1055	#41500500 MOTOR BELT WHEEL FOR 50HZ	
23	01PSM1231	#50312020 SHAFT RING 40	
24	01P184	#50301010 BEARING 6208	
25	01PSM1067	#41503000 DRIVER SHAFT BEARING SEAT	
26	01P184	#50301010 BEARING 6208	
27	01PSM1234	#50313039 FLAT KEY A10X50	
28	01PSM1068	#41503100 DRIVER SHAFT	
29	01PSM1241	#50399020 CONNECTING SET 35X60	
30	01PSM1069	#41503200 BIG BELT WHEEL OF SHAFT	
31	01P178	#50304006 #78 NUT	
32	01P154	#50308006 #54 SPRING WASHER	
33	01P177	#50307006 #77 SPACER	
34	01PSM1056	#41500600 SHAFT COVER	
35	01P375	#50308007 #75 SPRING WASHERS	
36	01PSM1156	#50303044 HEX BOLT M12X40	
37	01PSM1175	#50303082 SOCKET HEAD CAP SCREW M6X30	
38	01PSM1070	#41503300 CLAMP PLATE	
39	01PSM1150	#50303029 HEX BOLT M10X20	
40	01PSM1217	#50307017 LARGE WASHER F10 C CLASS	
41	01PSM1072	#41503500 SHAFT SEAT AXIS	
42	01PSM1057	#41500700 MAIN SHAFT BELT WHEEL	
43	01PSM1183	#50304013 NUT M20	
44	01P630	#50303042 Hex bolts M12x30	
45	01PSM1175	#50303082 SOCKET HEAD CAP SCREW M6X30	

46	01PSM1071	#41503400 CLAMP PLATE	
47	01PSM1123	#50301011 BEARING 6209	
48	01PSM1073	#41503600 BOWL SHAFT SEAT	
49	01PSM1216	#50307016 S.S. FLAT PAD F12	
50	01PSM1224	#50308015 S.S. SPRING WASHER F12	
51	01PSM1171	#50303074 S.S. HEX BOLT M12X40	
52	01PSM1126	#50301020 BEARING 33210	
53	01PSM1059	#41500900 CLAMP PLATE 60/88X10	
54	01PSM1074	#41503700 BOWL SHAFT SEAT	
55	01PSM1170	#50303073 S.S. HEX BOLT M12X35	
56	01PSM1224	#50308015 S.S. SPRING WASHER F12	
57	01PSM1216	#50307016 S.S. FLAT PAD F12	
58	01PSM1376	#50401014 BOWL PSM60	

### **Body Assembly**

1	01PSM1377	#41509900 CHASSIS SUBASSEMBLY	
2	01PSM1261	#50405111 VIEW SETTING BOARD	
3	01PSM1161	#50303060 S.S. HEX BOLT M5X20	
4	01PSM1213	#50307012 S.S. FLAT PAD F5	
5	01PSM1242	#50399021 SEALING TAPE	
6	01PSM1043	#41303800 ADJUST FEET SUPPPORT COVER	
7	01P157	#50312002 #57 CIRCLIPS FOR SHAFT	
8	01PSM1187	#50304039 NUT M16	
9	01PSM1283	#50405512 HANDLE M16	
10	01PSM1244	#50399026 INDUSTRIAL WHEELS 75	
11	01PSM1150	#50303029 HEX BOLT M10X20	
12	01P154	#50308006 #54 SPRING WASHER	
13	01P177	#50307006 #77 SPACER	
14	01PSM1076	#41504300 BLOCK WHEEL SHAFT	

15	01PSM1270	#50405208 BLOCK WHEEL BODY	
16	01PSM1164	#50303065 S.S. HEX BOLT M8X16	
17	01P704	#50307014 STAINLESS STEEL FLAT WASHER 8	
18	01PSM1278	#50405368 BLOCK WHEEL SEAT	
19	01P124	#50301004 #24 BEARING	
20	01PSM1075	#41504200 BLOCK WHEEL BOLT	
21	01PSM1195	#50305038 S.S. PHILIPS SCREW M6X10	
22	01PSM1214	#50307013 BOM??	
23	01PSM1222	#50308012 BOM??	
24	01PSM1077	#41504500 SCREW	
25	01PSM1378	#41507000 BACK PROTECT GUARD	
26	01P108	#50304005 #8 NUT	
27	01P469	#50307005 FLAT WASHER N8	
28	01P136	#50308005 #36 SPRING WASHER	
29	01PSM1078	#41504600 PIN SETS	
30	01PSM1179	50303108 S.S. SOCKET HEAD CAP SCREW M8X25	
31	01PSM1189	#50305007 PHILIPS SCREW M4X10	
32	01P509	#50307002 Flat washer 4	
33	01PSM1201	#50305081 PHILIPS SCREW ST4.2X16	
34	01PSM1079	#41504700 COVER BOARD	
35	01PSM1080	#41504900 FIXED BLOCK SHAFT	
36	01PSM1169	#50303072 S.S. HEX BOLT M12X30	
37	01PSM1216	#50307016 S.S. FLAT PAD F12	
38	01PSM1224	#50308015 S.S. SPRING WASHER F12	
39	01PSM1250	0402054 BUTTON ELECTRONIC CONTROL PANEL	
40	01PSM1205	#50305113 S.S. PHILIPS SCREW ST4.2X19	
41	01PSM1091	#41509700 COVER	
42	01PSM1193	#50305031 S.S. PHILIPS SCREW M4X20	
43	01PSM1257	#50405100 NYLON FLAT PAD F4	
44	01PSM1083	#41505700 WIRE FIXED BOARD	
45	01PSM1201	#50305081 PHILIPS SCREW ST4.2X16	
46	01PSM1256	#50405055 HOLE COVER	
47	01P490	#50305027 Philips screw M4x6	

48	01PSM1251	#50402068 BRAND	
49	01PSM1186	#50304035 NUT M25X1.5	
50	01PSM1081	#41505300 FIXED PIN SETS	
51	01PSM1262	#50405115 ELECTRICAL INSTALLATION	
52	01P649	#50305023 Philips screw M6x20	
53	01P474	#50307004 Flat washer 6	
54	01P495	#50308004 Spring washer 6	
55	01PSM1242	#50399021 SEALING TAPE	
56	01PSM1260	#50405110 ELECTRONIC CONTROL PANEL	
57	01PSM1163	#50303064 S.S. HEX BOLT M5X50	
58	01PSM1213	#50307012 S.S. FLAT PAD F5	
59	01PSM1242	#50399021 SEALING TAPE	
60	01PSM1261	#50405111 VIEW SETTING BOARD	
61	01PSM1161	#50303060 S.S. HEX BOLT M5X20	
62	01PSM1213	#50307012 S.S. FLAT PAD F5	
63	01PSM1252	#50402101 MARK	
64	01PSM1226	#50309002 BLIND RIVETS ?3.7*9	
65	01PSM1253	#50402102 MARK	
66	01PSM1209	#50306044 PIN 4X50	
67	01PSM1238	#50399013 INDUSTRIAL WHEELS	
68	01PSM1082	#41505500 WHEEL SHAFT	
69	01PSM1121	#50199033 S.S. WIRE MESH	
70	01PSM1281	#50405376 RODENT NETWORK LAYERING	
71	01PSM1282	#50405377 RODENT NETWORK LAYERING	
72	01P543	#50305035 GB 818 -85	

## Protective Cover Assembly

1	01PSM1263	#50405124 PLATE	
2	01PSM1084	#41506000 SWITCH BLOCK WHEEL	
3	01PSM1196	#50305069 SWITCH BLOCK WHEEL M6X16	
4	01PSM1379	#41506100 FRONT PROTECT GUARD	
5	01PSM1085	#41506200 PIN	

6	01PSM1210	#50306053 PIN 4X30	
---	-----------	--------------------	--

## Electrical components

1	01PSM1338	#50506012 BUTTON ZB2BZ105C	
2	01P385	85a EMERGENCY BUTTON PM30 (COMING WITH 50506011)	
3	01PSM1333	#50506001 BUTTON ZB2BA3C	
4	01PSM1336	#50506005 BUTTON ZB2BZ101C	
5	01PSM1323	#50502004 TRANSPARENT GUARD ZBPA	
6	01PSM1333	#50506001 BUTTON ZB2BA3C	
7	01PSM1338	#50506012 BUTTON ZB2BZ105C	
8	01PSM1323	#50502004 TRANSPARENT GUARD ZBPA	
9	01PSM1333	#50506001 BUTTON ZB2BA3C	
10	01PSM1335	#50506003 BUTTON ZB2BE101C	
11	01PSM1335	#50506003 BUTTON ZB2BE101C	
12	01PSM1337	#50506007 BUTTON ZB2BZ103C	
13	01PSM1323	#50502004 TRANSPARENT GUARD ZBPA	
14	01PSM1334	#50506002 BUTTON ZB2BD3C	
15	01PSM1337	#50506007 BUTTON ZB2BZ103C	
16	01PSM1335	#50506003 BUTTON ZB2BE101C	
17	01PSM1335	#50506003 BUTTON ZB2BE101C	
18	01PSM1339	#50506015 POWER LED XB6EAV1BC	
19	01PSM1332	#50504004 TIMER	
20	01PSM1354	#50512027 HEAVY DUTY CONNECTOR	
21	01PSM1340	#50506045 SWITCH	
22	01PSM1341	#50506046 LOAD SWITCH V1	
23	01PSM1342	#50506047 KCF1PZ	
24	01PSM1343	#50506048 VZN17	
25	01PSM1344	#50506049 KZ32	
26	01PSM1349	#50507013 TRANSFORMER	
27	01PSM1321	#50502001 CONTACTOR D12B7C	
28	01PSM1322	#50502002 CONTACTOR D09B7C	
29	01PSM1326	#50503002 CIRCUIT BREAKER GV2-ME16C	
30	01PSM1327	#50503003 CONTACT AN11	

31	01PSM1328	#50503004 CIRCUIT BREAKER GV2-ME07C	
32	01PSM1327	#50503003 CONTACT AN11	
33	01PSM1351	#50509003 FUSE 2A	
34	01PSM1350	#50509002 FUSE 10A	
35	01PSM1352	#50509004 FUSE SEAT	























































































































































